



SAW Components

Data Sheet B4223





SAW Components

B4223

Low-Loss Dual Band Filter for Mobile Communication

881,5 / 1960 MHz

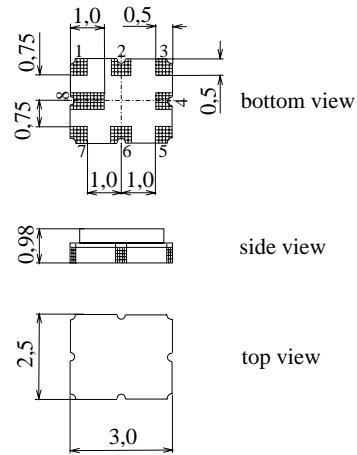
Data Sheet



Ceramic package **QCC8E**

Features

- Low-loss RF filter for mobile telephone GSM 850 and GSM 1900 system, receive path
- Usable Passband
Filter 1 (GSM 850): 25 MHz
Filter 2 (GSM 1900): 60 MHz
- 50 Ω ports for both filters
- Unbalanced to unbalanced operation
- Ceramic package for **Surface Mounted Device (SMD)**



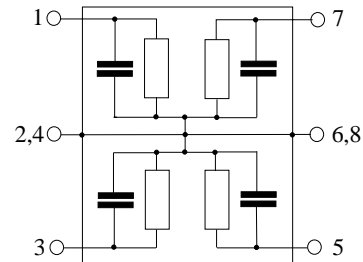
Terminals

- Ni, gold-plated

Dimensions in mm, approx. weight 27mg

Pin configuration

- 1 GSM 850 Input
- 7 GSM 850 Output
- 2,4,6,8 Ground
- 3 GSM 1900 Input
- 5 GSM 1900 Output



Type	Ordering code	Marking and Package according to	Packing according to
B4223	B39202-B4223-H410	C61157-A7-A92	F61074-V8129-Z0000

Electrostatic Sensitive Device (ESD)

Maximum ratings

Operating temperature range	T	- 20/+ 80	°C	Source and load impedance 50 Ω
Storage temperature range	T_{stg}	- 40/+ 85	°C	
DC voltage	V_{DC}	2,86	V	
Input power max				
824...849 MHz	P_{IN}	15	dBm	
1850...1910 MHz		12	dBm	



Data Sheet



Characteristics Filter 1 (GSM 850)

Operating temperature range $T = 25 \pm 2^\circ\text{C}$

Terminating source impedance $Z_S = 50 \Omega$

Terminating load impedance $Z_L = 50 \Omega$

		min.	typ.	max.	
Center frequency	f_c	—	881,5	—	MHz
Maximum insertion attenuation	α_{\max}	—	2,5	2,8	dB
869 ... 894 MHz					
Amplitude ripple	$\Delta\alpha$	—	0,9	1,2	dB
869 ... 894 MHz					
Input return loss		10,0	15,5	—	dB
869 ... 894 MHz					
Output return loss		10,0	15,5	—	dB
869 ... 894 MHz					
Attenuation	α				
0 ... 824 MHz		35	40	—	dB
824 ... 849 MHz (Tx)		30	34	—	
914 ... 916 MHz		25	27	—	
916 ... 965 MHz		26	30	—	
965 ... 1200 MHz		35	38	—	
1200 ... 3700 MHz		27	30	—	
3700 ... 4000 MHz		20	27	—	
4000 ... 6000 MHz		4	6	—	



Data Sheet



Characteristics Filter 1 (GSM 850)

Operating temperature range T = -20 to 80°C

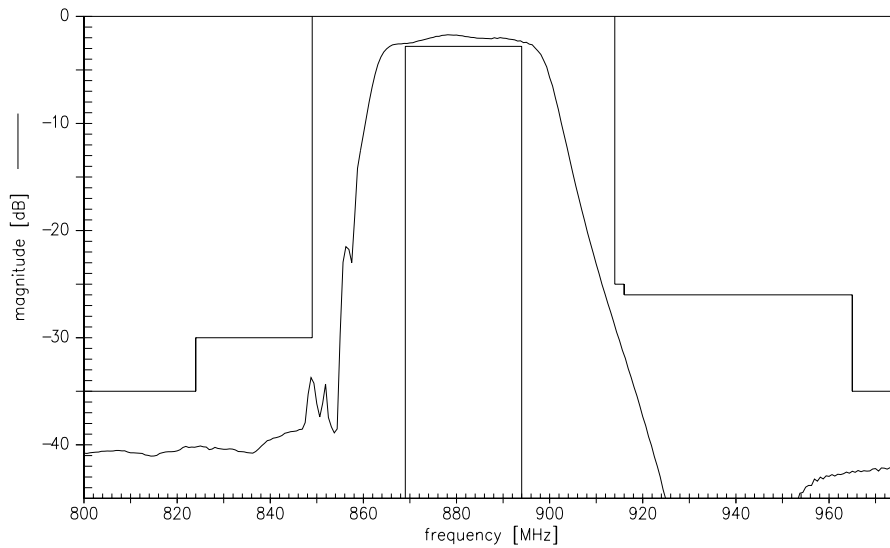
Terminating source impedance Z_S = 50 Ω

Terminating load impedance Z_L = 50 Ω

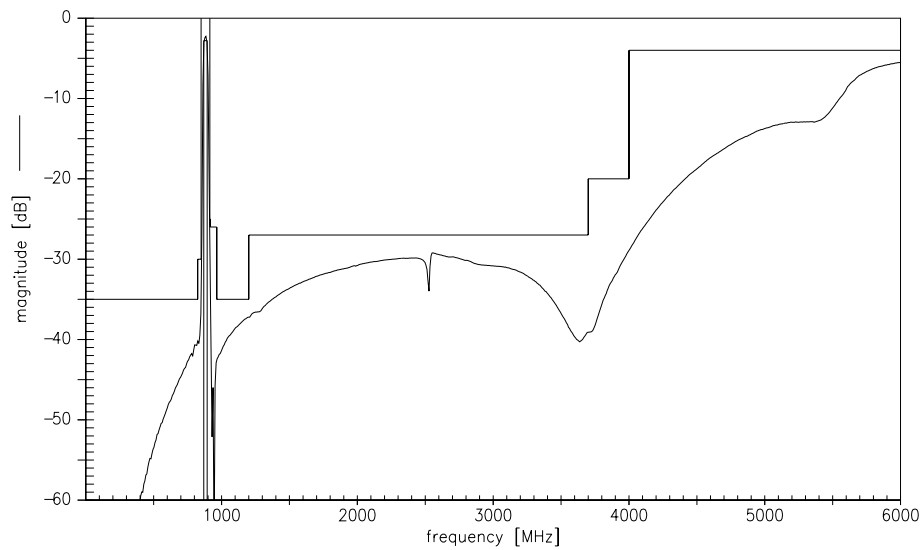
		min.	typ.	max.	
Center frequency	f_c	—	881,5	—	MHz
Maximum insertion attenuation	α_{max}	—	2,7	3,0	dB
869 ... 894 MHz					
Amplitude ripple	$\Delta\alpha$	—	1,1	1,4	dB
869 ... 894 MHz					
Input return loss		10,0	15,0	—	dB
869 ... 894 MHz					
Output return loss		10,0	15,0	—	dB
869 ... 894 MHz					
Attenuation	α				
0 ... 824 MHz		35	40	—	dB
824 ... 849 MHz (Tx)		30	34	—	
914 ... 916 MHz		23,5	26	—	dB
916 ... 965 MHz		26	29	—	
965 ... 1200 MHz		35	38	—	dB
1200 ... 3700 MHz		27	30	—	
3700 ... 4000 MHz		20	27	—	dB
4000 ... 6000 MHz		4	6	—	



Transfer function of the AMPS filter (narrow band measurement, all values at 25°C)



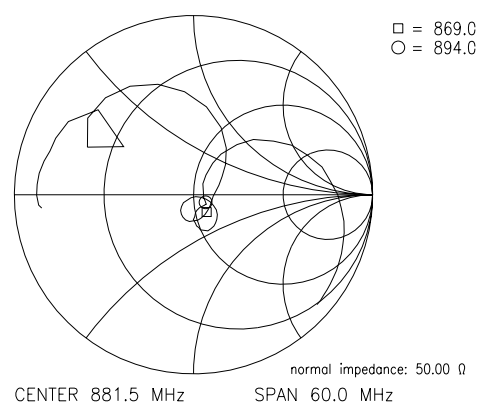
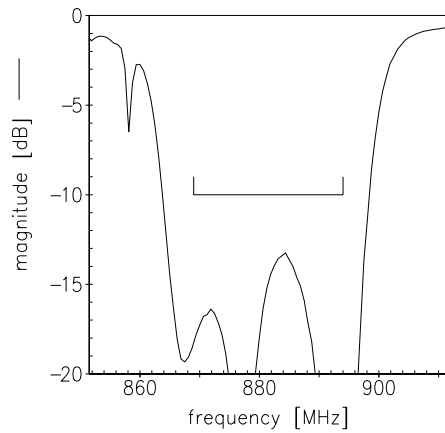
Transfer function of the AMPS filter (wide band measurement)



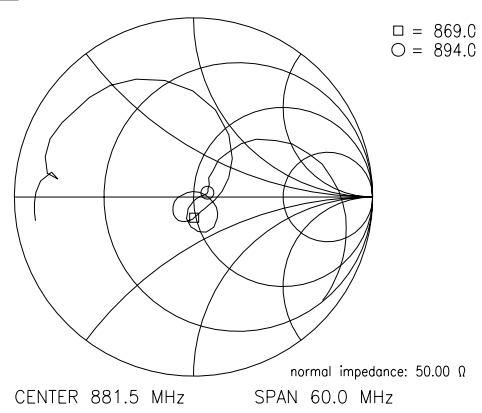
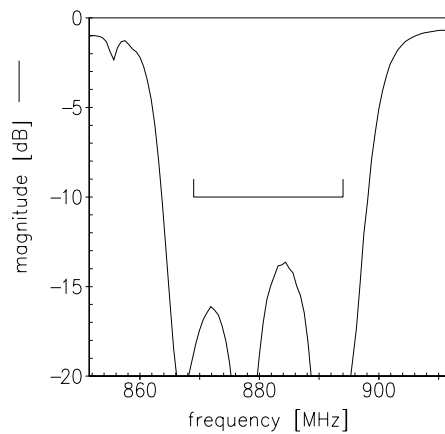


Reflection coefficients AMPS filter (measurement)

S_{11}



S_{22}





Data Sheet



Characteristics Filter 2 (GSM 1900)

Operating temperature range $T = 25 \pm 2 \text{ }^\circ\text{C}$
 Terminating source impedance $Z_S = 50 \text{ } \Omega$
 Terminating load impedance $Z_L = 50 \text{ } \Omega$

		min.	typ.	max.	
Center frequency	f_c	—	1960	—	MHz
Maximum insertion attenuation	α_{\max}	—	2,5	2,8	dB
1930 ... 1990 MHz					
Amplitude ripple (p-p)	$\Delta\alpha$	—	1,1	1,4	dB
1930 ... 1990 MHz					
Input return loss		9,0	10,5	—	dB
1930 ... 1990 MHz					
Output return loss		9,5	10,5	—	dB
1930 ... 1990 MHz					
Attenuation	α				
0 ... 1830 MHz		28	30	—	dB
1830 ... 1900 MHz (Tx)		13	15	—	dB
1900 ... 1910 MHz (Tx)		11	14	—	dB
2010 ... 2020 MHz		12	17	—	dB
2020 ... 2070 MHz		13	15	—	dB
2070 ... 2095 MHz		18	20	—	dB
2095 ... 2500 MHz		23	26	—	dB
2500 ... 4000 MHz		18	25	—	dB
4000 ... 5500 MHz		13	21	—	dB
5500 ... 6000 MHz		8	18	—	dB



Data Sheet



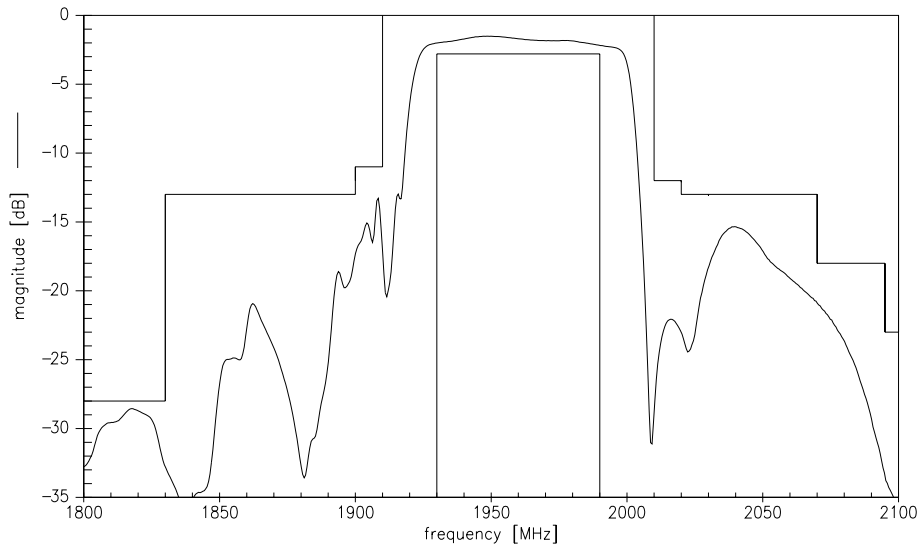
Characteristics Filter 2 (GSM 1900)

Operating temperature range T = -20 to 80°C
 Terminating source impedance Z_S = 50 Ω
 Terminating load impedance Z_L = 50 Ω

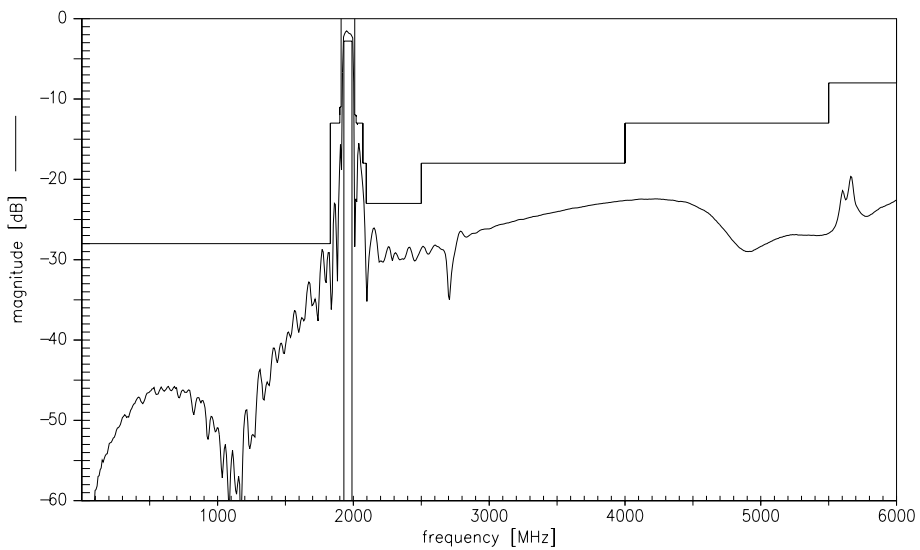
		min.	typ.	max.	
Center frequency	f_c	—	1960	—	MHz
Maximum insertion attenuation	α_{max}	—	2,6	3,0	dB
	1930 ... 1990 MHz				
Amplitude ripple (p-p)	$\Delta\alpha$	—	1,2	1,6	dB
	1930 ... 1990 MHz				
Input return loss		8,5	10,5	—	dB
	1930 ... 1990 MHz				
Output return loss		9,5	10,5	—	dB
	1930 ... 1990 MHz				
Attenuation	α				
	0 ... 1830 MHz	28	30	—	dB
	1830 ... 1900 MHz (Tx)	13	15	—	dB
	1900 ... 1910 MHz (Tx)	10	13	—	dB
	2010 ... 2020 MHz	12	14	—	dB
	2020 ... 2070 MHz	13	15	—	dB
	2070 ... 2095 MHz	18	20	—	dB
	2095 ... 2500 MHz	23	26	—	dB
	2500 ... 4000 MHz	18	25	—	dB
	4000 ... 5500 MHz	13	21	—	dB
	5500 ... 6000 MHz	8	18	—	dB



Transfer function of the PCS filter (narrow band measurement, all values at 25° C)

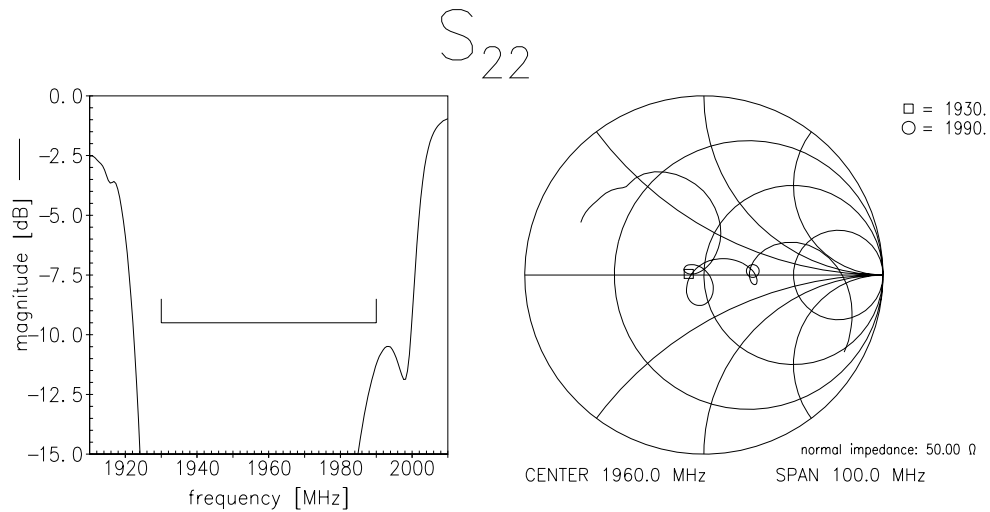
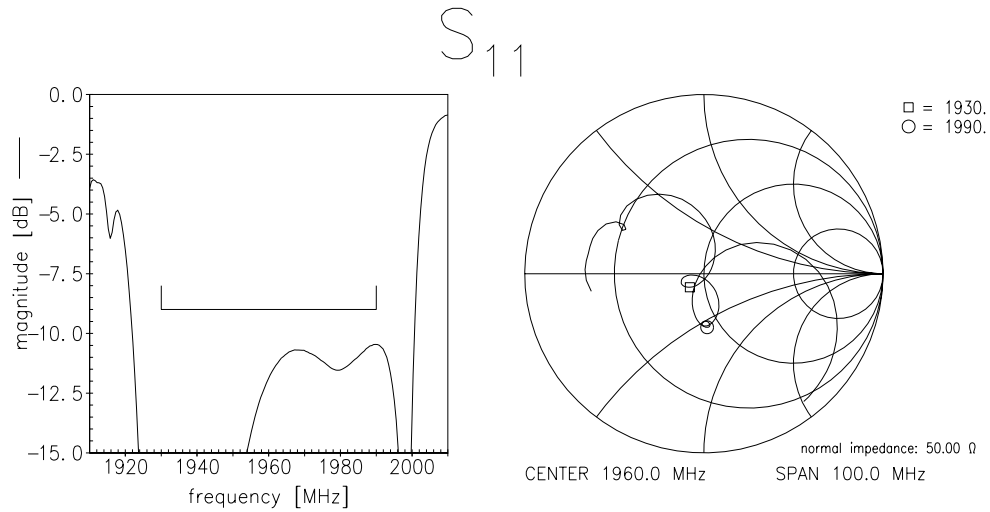


Transfer function of the PCS filter (wide band measurement)





Reflection coefficients PCS filter (measurement)





SAW Components

B4223

Low-Loss Dual Band Filter for Mobile Communication

881,5 / 1960 MHz

Data Sheet



Published by EPCOS AG

Surface Acoustic Wave Components Division, SAW MC WT PD

P.O. Box 80 17 09, D-81617 München

© EPCOS AG 2001. All Rights Reserved. Reproduction, publication and dissemination of this brochure and the information contained therein without EPCOS' prior express consent is prohibited.

The information contained in this brochure describes the type of component and shall not be considered as guaranteed characteristics. Purchase orders are subject to the General Conditions for the Supply of Products and Services of the Electrical and Electronics Industry recommended by the ZVEI (German Electrical and Electronic Manufacturers' Association), unless otherwise agreed.

This brochure replaces the previous edition.

For questions on technology, prices and delivery please contact the Sales Offices of EPCOS AG or the international Representatives.

Due to technical requirements components may contain dangerous substances. For information on the type in question please also contact one of our Sales Offices.