



# SAW Components

Data Sheet X 6922 D





SAW Components

X 6922 D

Bandpass Filter

38,912 MHz

Data Sheet

Duroplast package SIP5D

**Standard**

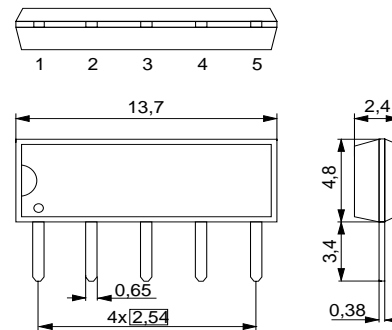
- DAB

**Features**

- IF filter for Digital Audio Broadcasting
- Constant group delay
- Standard IC package

**Terminals**

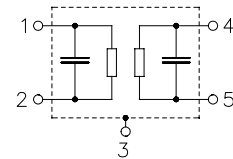
- Tinned CuFe alloy



Dimensions in mm, approx. weight 0,5 g

**Pin configuration**

- 1 Input
- 2 Input - ground
- 3 Chip carrier - ground
- 4 Output
- 5 Output



Type	Ordering code	Marking and package according to	Packing according to
X 6922 D	B39389-X6922-N201	C61157-A1-A21	F61074-V8049-Z000

**Maximum ratings**

Operable temperature range	$T_A$	-25/+65	°C	
Storage temperature range	$T_{stg}$	-40/+85	°C	
DC voltage	$V_{DC}$	5	V	between any terminals
AC voltage	$V_{pp}$	10	V	between any terminals


**SAW Components**
**X 6922 D**
**Bandpass Filter**
**38,912 MHz**
**Data Sheet**
**Characteristics**

Reference temperature:  $T_A = 25 (45) \text{ }^\circ\text{C}$   
 Terminating source impedance:  $Z_S = 50 \text{ } \Omega$   
 Terminating load impedance:  $Z_L = 2 \text{ k}\Omega \parallel 3 \text{ pF}$

		min.	typ.	max.	
<b>Center frequency</b> (center between 10 dB points)	$f_c$	(38,874)	(38,912)	(38,950)	MHz
<b>Insertion attenuation</b> Reference level for the following data	$\alpha$	17,2	18,7	20,2	dB
	38,922 (38,912) MHz				
<b>Pass bandwidth</b>					
$\alpha_{rel} \leq 3 \text{ dB}$	$B_{3dB}$	—	1,5	—	MHz
$\alpha_{rel} \leq 30 \text{ dB}$	$B_{30dB}$	—	2,7	—	MHz
<b>Relative attenuation</b>	$\alpha_{rel}$				
36,27 ... 37,31 (36,26 ... 37,30) MHz		38,0	41,0	—	dB
40,61 ... 41,41 (40,60 ... 41,40) MHz		38,0	44,0	—	dB
Lower sidelobe (incl. second adjacent channel)					
30,01 ... 36,27 (30,00 ... 36,26) MHz		43,0	50,0	—	dB
Upper sidelobe (incl. second adjacent channel)					
41,41 ... 50,01 (41,40 ... 50,00) MHz		42,0	47,0	—	dB
<b>Reflected wave signal suppression</b> 1,6 $\mu\text{s}$ ... 6,0 $\mu\text{s}$ after main pulse (test pulse 250 ns, carrier frequency 38,922 MHz)		42,0	52,0	—	dB
<b>Group delay ripple (p-p)</b>	$\Delta\tau$				
38,12 ... 39,72 (38,11 ... 39,71) MHz		—	35	—	ns
<b>Impedance at 38,922 MHz</b>					
Input: $Z_{IN} = R_{IN} \parallel C_{IN}$		—	1,0    25,3	—	k $\Omega$    pF
Output: $Z_{OUT} = R_{OUT} \parallel C_{OUT}$		—	0,9    15,0	—	k $\Omega$    pF
<b>Temperature coefficient of frequency</b>	$TC_f$	—	-18	—	ppm/K



SAW Components

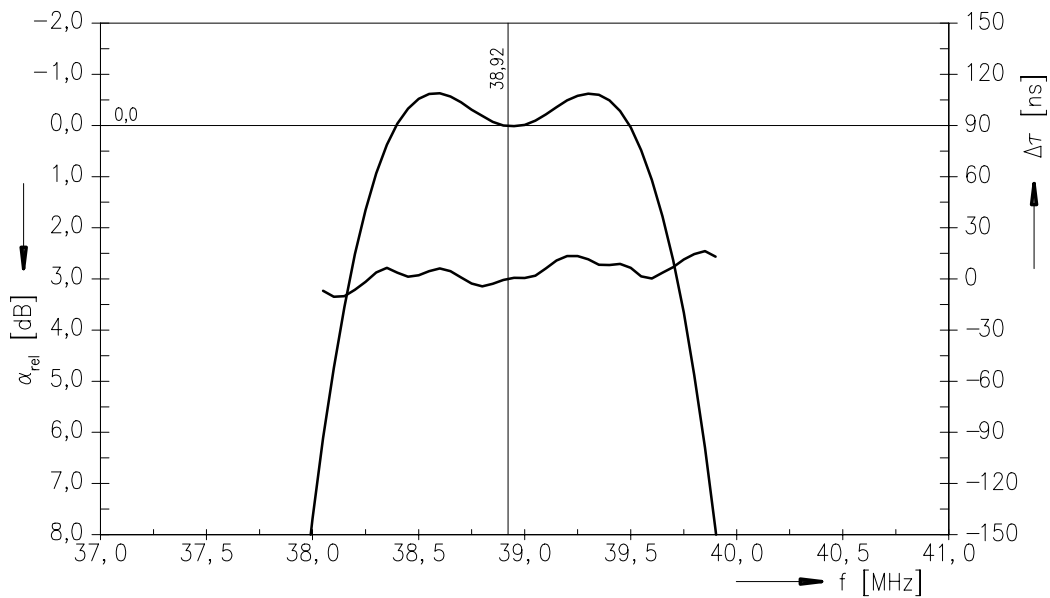
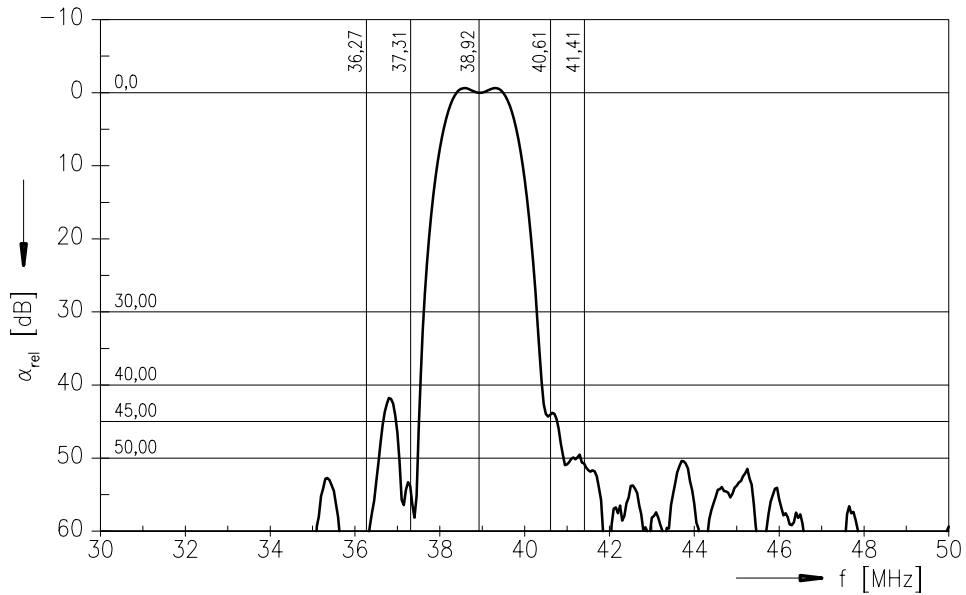
X 6922 D

Bandpass Filter

38,912 MHz

Data Sheet

Frequency response





SAW Components

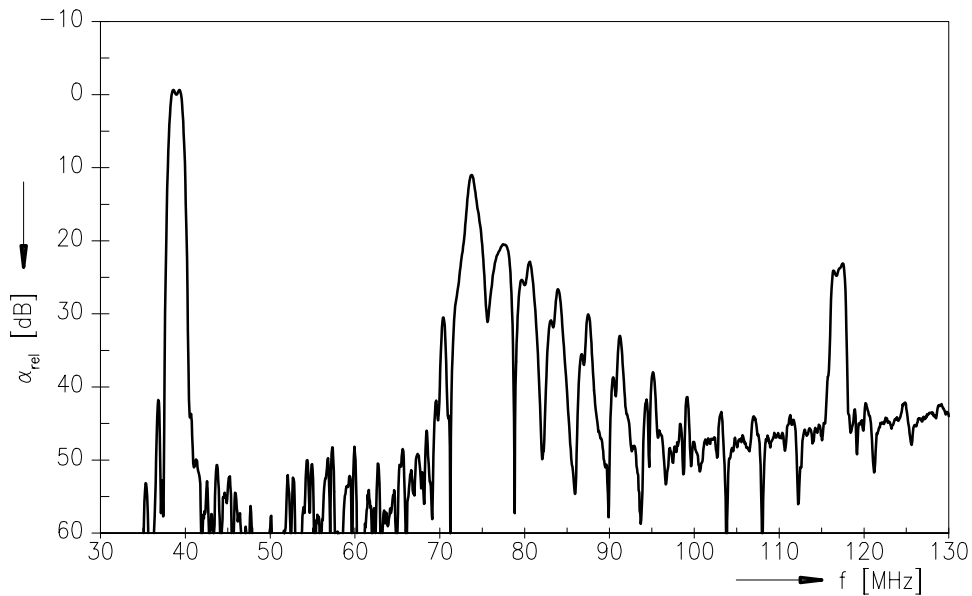
X 6922 D

Bandpass Filter

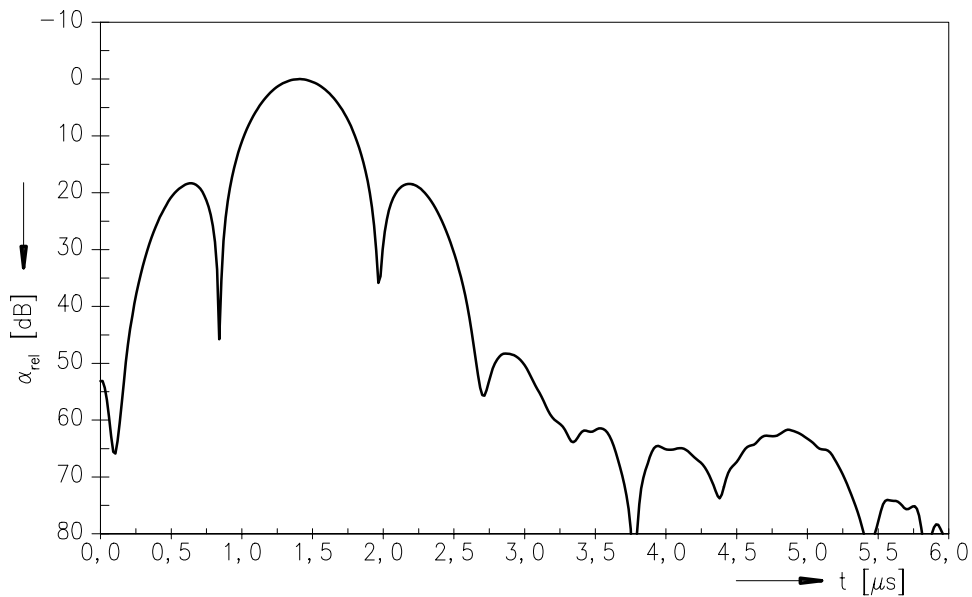
38,912 MHz

Data Sheet

Frequency response



Time domain response





**SAW Components**

**X 6922 D**

**Bandpass Filter**

**38,912 MHz**

Data Sheet

**Published by EPCOS AG**  
**Surface Acoustic Wave Components Division, SAW CE MM PD**  
**P.O. Box 80 17 09, D-81617 München**

© EPCOS AG 2004. All Rights Reserved.

As far as patents or other rights of third parties are concerned, liability is only assumed for components per se, not for applications, processes and circuits implemented within components or assemblies.

The information describes the type of component and shall not be considered as assured characteristics.

Terms of delivery and rights to change design reserved.

For questions on technology, prices and delivery please contact the sales offices of EPCOS AG or the international representatives.

Due to technical requirements components may contain dangerous substances. For information on the type in question please also contact one of our sales offices.