



SAW Components

Data Sheet K 9655 D





SAW Components

K 9655 D

IF Filter for Audio Applications

38,00 MHz

Data Sheet

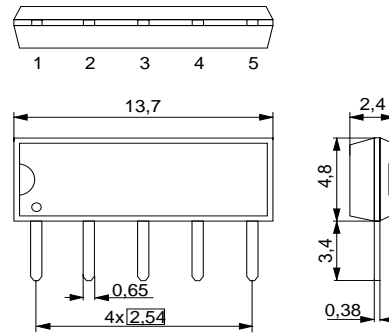
Standard

- B/G
- D/K
- I
- M/N

Duroplast package **SIP5D**

Features

- TV IF audio filter with two channels
- Channel 1 (B/G, D/K, I) with one pass band for sound carriers at 31,45 MHz (I NICAM), 31,50 MHz (D/K), 32,00 MHz (I), and 32,50 MHz (B/G)
- Channel 2 (M/N) with one pass band for sound carrier at 33,50 MHz
- Standard IC package



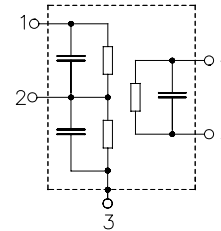
Dimensions in mm, approx. weight 0,5 g

Terminals

- Tinned CuFe alloy

Pin configuration

- 1 Input
- 2 Switching Input
- 3 Input - ground / Chip carrier - ground
- 4 Output
- 5 Output



Type	Ordering code	Marking and package according to	Packing according to
K 9655 D	B39380-K9655-N201	C61157-A1-A21	F61074-V8049-Z000

Maximum ratings

Operable temperature range	T_A	-25/+65	°C	
Storage temperature range	T_{stg}	-40/+85	°C	
DC voltage	V_{DC}	5	V	between any terminals
AC voltage	V_{pp}	10	V	between any terminals



SAW Components

K 9655 D

IF Filter for Audio Applications

38,00 MHz

Data Sheet

Characteristics of channel 1 (switching pin 2 connected to ground)

Reference temperature: $T_A = 25\text{ }^\circ\text{C}$
 Terminating source impedance: $Z_S = 50\ \Omega$
 Terminating load impedance: $Z_L = 2\ \text{k}\Omega \parallel 3\ \text{pF}$

		min.	typ.	max.	
Insertion attenuation					
	α				
Reference level for the following data	32,50 MHz	12,9	14,4	15,9	dB
Relative attenuation					
	α_{rel}				
Sound carrier	31,45 MHz	-1,4,	-0,4	0,6	dB
	31,50 MHz	-1,4	-0,4	0,6	dB
	32,00 MHz	-0,9	0,1	1,1	dB
Picture carrier	38,00 MHz	46,0	57,0	—	dB
Color carrier	33,57 MHz	28,0	39,0	—	dB
Adjacent picture carrier	30,00 MHz	42,0	49,0	—	dB
Adjacent sound carrier	39,50 MHz	42,0	49,0	—	dB
	40,00 MHz	44,0	57,0	—	dB
	40,50 MHz	44,0	54,0	—	dB
Lower sidelobe	25,00 ... 30,00 MHz	38,0	43,0	—	dB
Upper sidelobe	38,00 ... 45,00 MHz	40,0	46,0	—	dB
Impedance at 32,50 MHz					
	Input: $Z_{IN} = R_{IN} \parallel C_{IN}$	—	1,2 10,9	—	k Ω pF
	Output: $Z_{OUT} = R_{OUT} \parallel C_{OUT}$	—	1,0 6,4	—	k Ω pF
Temperature coefficient of frequency					
	TC_f	—	-72	—	ppm/K



SAW Components

K 9655 D

IF Filter for Audio Applications

38,00 MHz

Data Sheet

Characteristics of channel 2 (switching pin 2 connected to pin 1)

Reference temperature: $T_A = 25\text{ }^\circ\text{C}$
 Terminating source impedance: $Z_S = 50\ \Omega$
 Terminating load impedance: $Z_L = 2\ \text{k}\Omega \parallel 3\ \text{pF}$

		min.	typ.	max.	
Insertion attenuation					
	α				
Reference level for the following data	33,50 MHz	11,9	13,4	14,9	dB
Relative attenuation					
	α_{rel}				
Picture carrier	38,00 MHz	46,0	57,0	—	dB
Color carrier	34,42 MHz	22,0	29,0	—	dB
Adjacent picture carrier	32,00 MHz	33,0	40,0	—	dB
Adjacent sound carrier	39,50 MHz	44,0	52,0	—	dB
Lower sidelobe	25,00 ... 32,00 MHz	32,0	36,0	—	dB
Upper sidelobe	38,00 ... 45,00 MHz	38,0	48,0	—	dB
Impedance at 33,50 MHz					
Input:	$Z_{IN} = R_{IN} \parallel C_{IN}$	—	0,6 \parallel 16,4	—	k Ω \parallel pF
Output:	$Z_{OUT} = R_{OUT} \parallel C_{OUT}$	—	1,5 \parallel 4,7	—	k Ω \parallel pF
Temperature coefficient of frequency	TC_f	—	-72	—	ppm/K



SAW Components

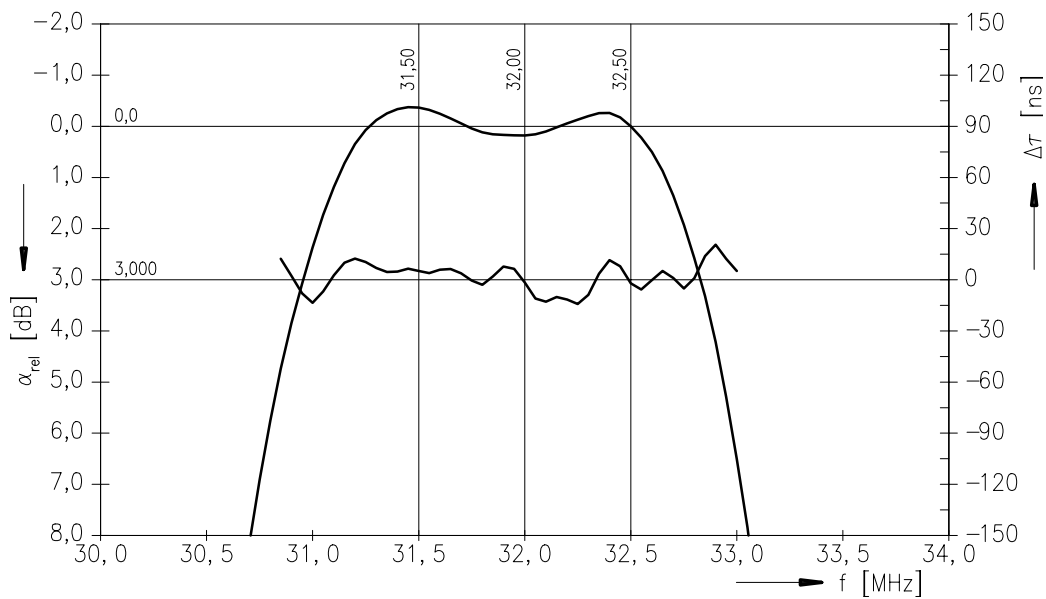
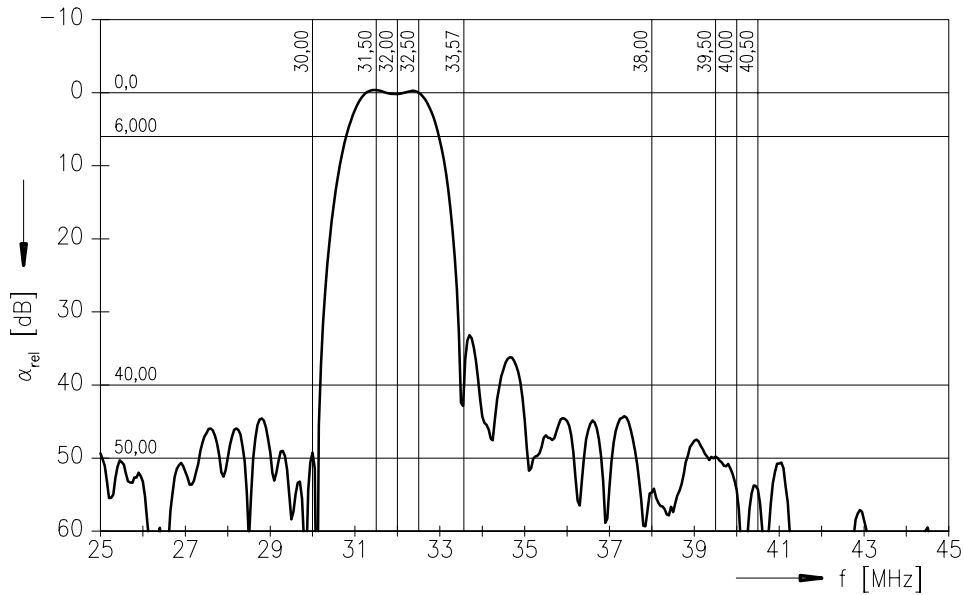
K 9655 D

IF Filter for Audio Applications

38,00 MHz

Data Sheet

Frequency response of channel 1





SAW Components

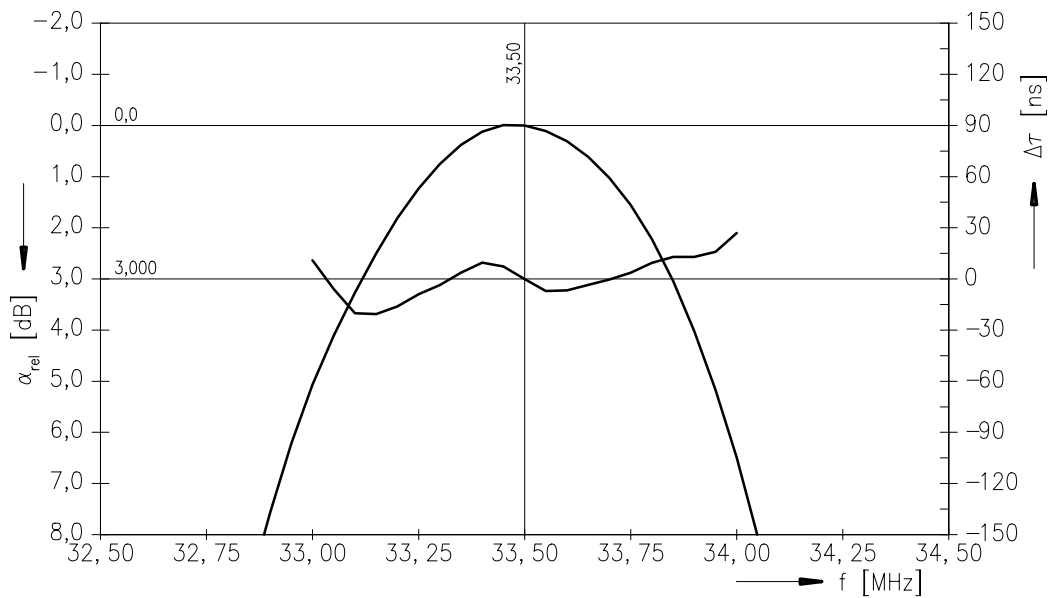
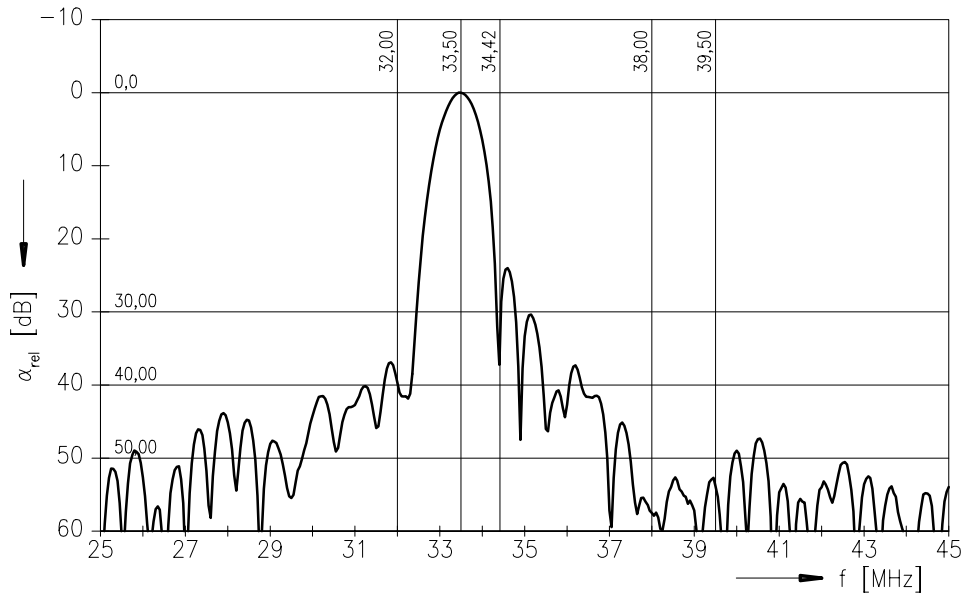
K 9655 D

IF Filter for Audio Applications

38,00 MHz

Data Sheet

Frequency response of channel 2





SAW Components

K 9655 D

IF Filter for Audio Applications

38,00 MHz

Data Sheet

Published by EPCOS AG

Surface Acoustic Wave Components Division, SAW CE MM

P.O. Box 80 17 09, D-81617 München

© EPCOS AG 2003. All Rights Reserved. Reproduction, publication and dissemination of this brochure and the information contained therein without EPCOS' prior express consent is prohibited.

The information contained in this brochure describes the type of component and shall not be considered as guaranteed characteristics. Purchase orders are subject to the General Conditions for the Supply of Products and Services of the Electrical and Electronics Industry recommended by the ZVEI (German Electrical and Electronic Manufacturers' Association), unless otherwise agreed.

This brochure replaces the previous edition.

For questions on technology, prices and delivery please contact the Sales Offices of EPCOS AG or the international Representatives.

Due to technical requirements components may contain dangerous substances. For information on the type in question please also contact one of our Sales Offices.