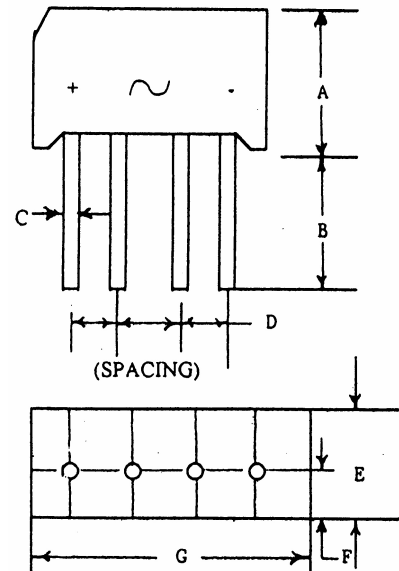


Silicon Bridge Rectifier

DIM.	INCHES		MILLIMETERS	
	MIN.	MAX.	MIN.	MAX.
A	0.551	0.590	14.0	15.0
B	0.50		12.7	
C	0.028	0.035	0.71	0.89
D	0.14	0.16	3.60	4.10
E	0.236	0.276	6.0	7.0
F	0.085	0.105	2.16	2.67
G	0.63	0.71	16.0	18.0

**ELECTRICAL RATINGS**

FOR SINGLE PHASE BRIDGE CIRCUIT

MAXIMUM ALLOWABLE DC OUTPUT CURRENT:

AT 55° C AMBIENT TEMPERATURE

3.0 AMPS

AT 100°C AMBIENT TEMPERATURE

2.0 AMPS

MAXIMUM SINGLE CYCLE SURGE
CURRENT (IFSM)

60 AMPS

MAXIMUM FULL LOAD FORWARD VOLTAGE
DROP @ 1.0 AMP (PER SECTION)

1.0 VOLTS

MAXIMUM REVERSE CURRENT @

25° C FULL CYCLE AVERAGE PER SECTION

10 uA

100° C FULL CYCLE AVERAGE PER SECTION

.5 mA

<u>PART NUMBER</u>	<u>PIV</u>
B393-5-1	50
B393-10-1	100
B393-20-1	200
B393-40-1	400
B393-60-1	600
B393-80-1	800
B393-100-1	1000
B393-120-1	1200

(203) 467-2591 TEL

(203) 469-5928 FAX

Email: Info@ edal.com

Internet: http://www.edal.com

EDAL industries, inc.

51 Commerce St. East Haven, CT 06512