



SAW Components

Data Sheet B7730, Pb-Free





SAW Components

B7730

Low-Loss Filter for Mobile Communication

881,5 MHz

Data Sheet



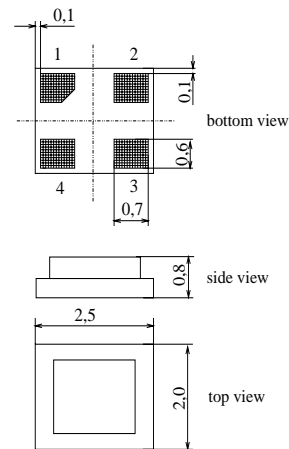
Chip Sized SAW Package DCS4H

Features

- Low-loss RF filter for mobile telephone Cell systems, receive path
- High Tx band selectivity
- Low amplitude ripple
- Usable passband 25 MHz
- Suitable for GPRS class 1 to 12
- Package for Surface Mounted Technology (SMT)
- Pb-Free

Terminals

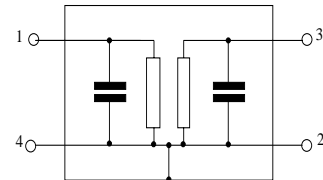
- Gold-plated Ni



Dimensions in mm, approx. weight 0,015 g

Pin configuration

- 1 Input
- 3 Output
- 2, 4 Ground



Type	Ordering code	Marking and Package according to	Packing according to
B7730	B39881-B7730-K710	C61157-A7-A136	F61074-V8189-Z000

Electrostatic Sensitive Device (ESD)

Maximum ratings

Operable temperature range	T	- 40/+ 85	°C	Machine Model, 10 pulses peak power of GSM signal, duty cycle 4:8
Storage temperature range	T_{stg}	- 40/+ 85	°C	
DC voltage	V_{DC}	5	V	
ESD voltage	V_{ESD}^*	100*	V	
Input power at GSM850, GSM900, GSM1800 and GSM1900 Tx bands	P_{IN}	15	dBm	

* - acc. to JESD22-A115A (Machine Model), 10 negative & 10 positive pulses



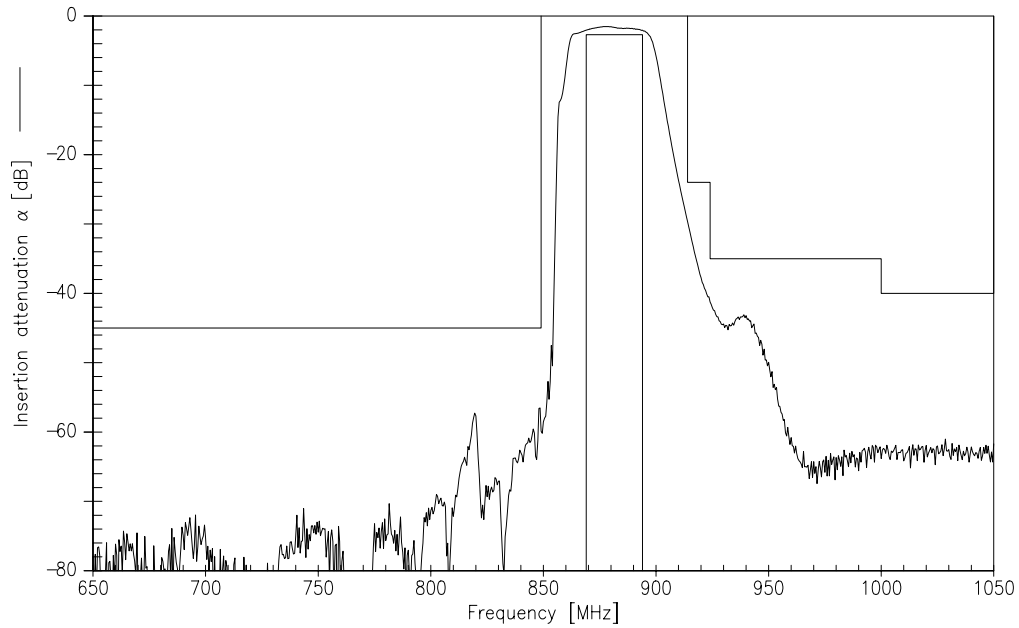
Characteristics

Operating temperature range: $T = -30$ to $+85$ °C
 Terminating source impedance: $Z_S = 50 \Omega$
 Terminating load impedance: $Z_L = 50 \Omega$

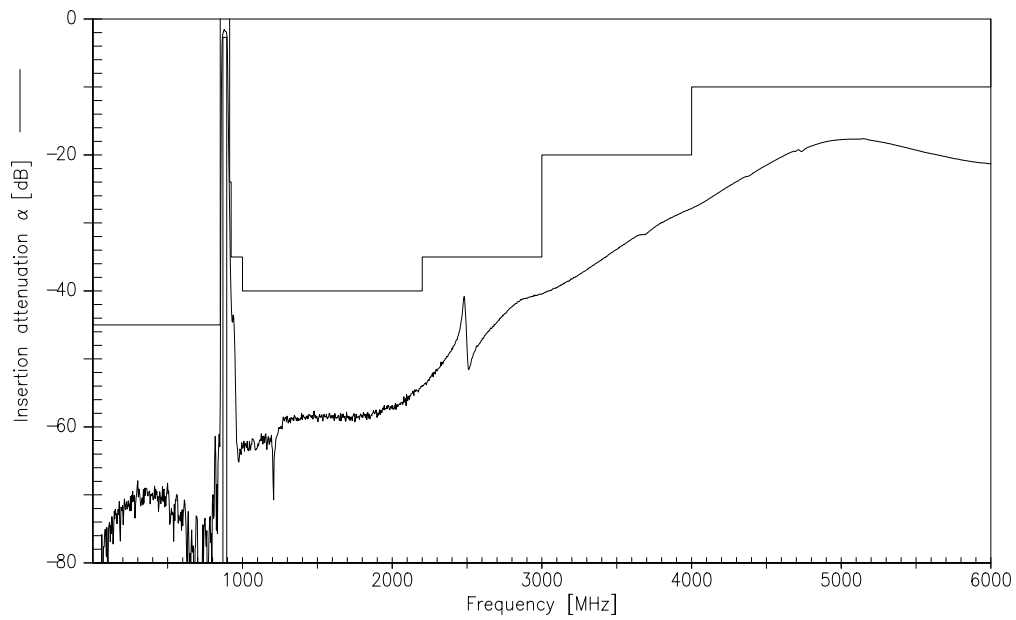
			min.	typ.	max.	
Center frequency	f_C		—	881,5	—	MHz
Maximum insertion attenuation	α_{max}	869,0 ... 894,0 MHz	—	2,5	2,7	dB
Amplitude ripple (p-p)	$\Delta\alpha$	869,0 ... 894,0 MHz	—	0,9	1,1	dB
Return loss		869,0 ... 894,0 MHz	10,0	12,0	—	dB
Attenuation	α					
		0,0 ... 824,0 MHz	45,0	55,0	—	dB
		824,0 ... 849,0 MHz	45,0	50,0	—	dB
		914,0 ... 924,0 MHz	24,0	26,0	—	dB
		924,0 ... 950,0 MHz	35,0	40,0	—	dB
		950,0 ... 997,0 MHz	35,0	50,0	—	dB
		997,0 ... 2200,0 MHz	40,0	50,0	—	dB
		2200,0 ... 3000,0 MHz	35,0	42,0	—	dB
		3000,0 ... 4000,0 MHz	20,0	28,0	—	dB
		4000,0 ... 6000,0 MHz	10,0	18,0	—	dB
Tx band suppression	α					
		824,0 ... 849,0 MHz	45,0	50,0	—	dB



Transfer function (narrowband measurement at 25 °C)

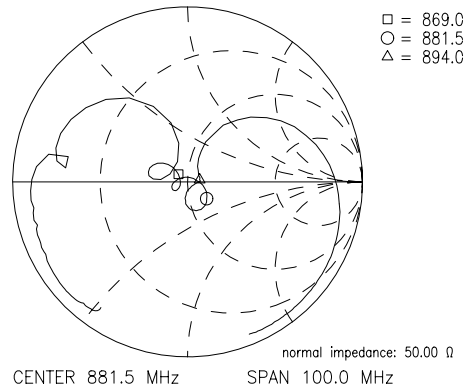
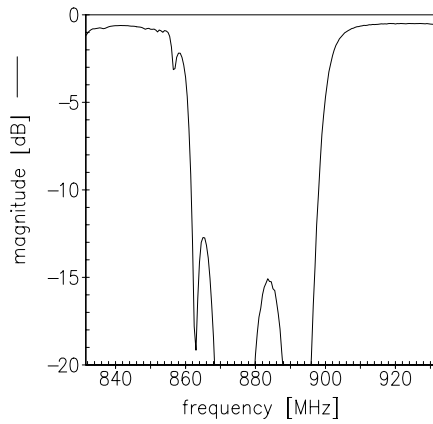


Transfer function (wideband measurement)

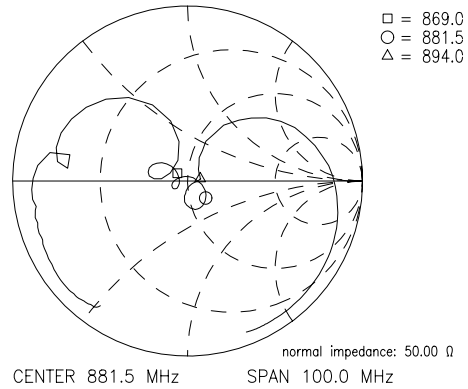
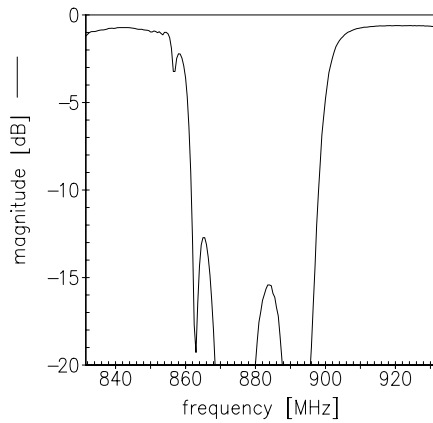


Reflection functions

S_{11}



S_{22}





SAW Components

B7730

Low-Loss Filter for Mobile Communication

881,5 MHz

Data Sheet



Published by EPCOS AG

Surface Acoustic Wave Components Division, SAW MC PD

P.O. Box 80 17 09, 81617 Munich, GERMANY

© EPCOS AG 2005. Reproduction, publication and dissemination of this brochure and the information contained therein without EPCOS' prior express consent is prohibited.

The information contained in this brochure describes the type of component and shall not be considered as guaranteed characteristics. Purchase orders are subject to the General Conditions for the Supply of Products and Services of the Electrical and Electronics Industry recommended by the ZVEI (German Electrical and Electronic Manufacturers' Association), unless otherwise agreed.

This brochure replaces the previous edition.

For questions on technology, prices and delivery please contact the Sales Offices of EPCOS AG or the international Representatives.

Due to technical requirements components may contain dangerous substances. For information on the type in question please also contact one of our Sales Offices.