



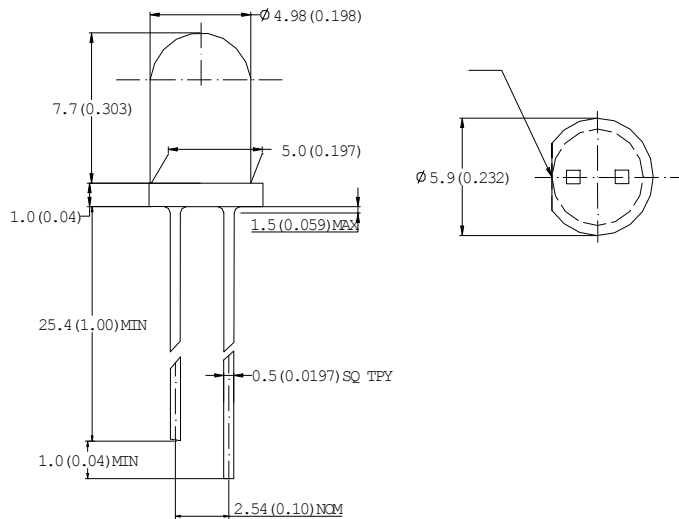
RLS-UV370E

●ABSOLUTE MAXIMUM RATINGS □Ta=25°C□

Reverse Voltage 5v
 Reverse Current □VR=5v□ □10uA
 Operating Temperature -40°C~85°C
 Storage Temperature -40°C~100°C
 Lead Soldering Temperature 250°C For (5 Seconds)
 Power Dissipation 4.5mw

●ELECTRICAL AND OPTICAL CHARACTERISTICS Ta=25°C

Emitted Color	Chromaticity Coordinates(note4) At(20MA)	Lens Appearance	Absolute Maximum Rating			ELECTRO-OPTICAL DATE (At20MA)				Viewing Angle 2θ 1/2 (deg)
			Pd (mw)	IF (mA)	Peak IF(mA)	VF(v)		IV(mcd)		
Ultra Violet	λp(nm)	Water Clear	60	20	150	TYP	max	min	TYP	15±2
	370-375					3.4	3.7	30	70	



- NOTES:**
- 1.All dimensions are in millimeters (inches)
 - 2.Tolerance is $\pm 0.25\text{mm}(0.01)$ unless otherwise specified.
 - 3.The products are sensitive to static electricity and care must be fully taken when handling products.
 - 4.Lead spacing is measured where the leads emerge from the package.
 - 5.Specifications are subjected to change without notice



ROITHNER LASERTECHNIK GmbH

WIEDNER HAUPTSTRASSE 76 1040 VIENNA AUSTRIA
TEL. +43 1 586 52 43 -0. FAX. -44. OFFICE@ROITHNER-LASER.COM

