



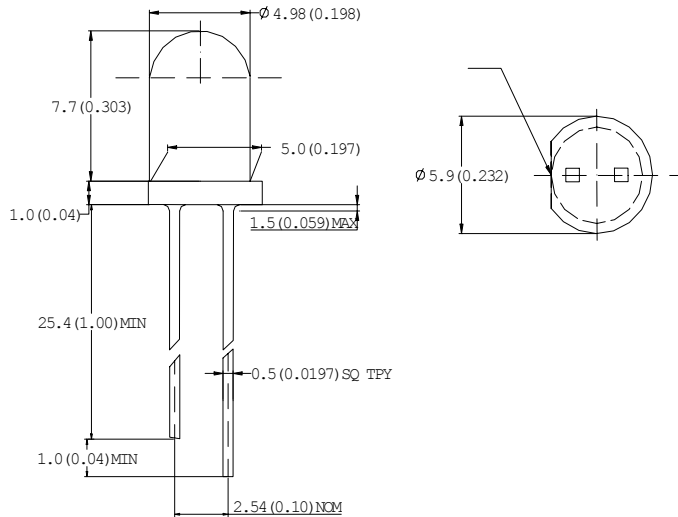
**RLS-UV395**

●ABSOLUTE MAXIMUM RATINGS □Ta=25°C□

Reverse Voltage 5v  
 Reverse Current □VR=5v□ □10uA  
 Operating Temperature -40°C~85°C  
 Storage Temperature -40°C~100°C  
 Lead Soldering Temperature 250°C For (5 Seconds)  
 Power Dissipation 4.5mw

●ELECTRICAL AND OPTICAL CHARACTERISTICS Ta=25°C

Emitted Color	Chromaticity Coordinates(note4) At(20MA)	Lens Appearance	Absolute Maximum Rating			ELECTRO-OPTICAL DATE (At20MA)				Viewing Angle 2θ 1/2 (deg)
			Pd (mw)	IF (mA)	Peak IF(mA)	VF(v)		IV(mcd)		
Ultra Violet	λp(nm)	Water Clear	60	20	150	TYP 3.4	max 3.7	min 80	TYP 120	15±2



- NOTES:**
- 1.All dimensions are in millimeters (inches)
  - 2.Tolerance is ±0.25mm(0.01) unless otherwise specified.
  - 3.The products are sensitive to static electricity and care must be fully taken when handling products.
  - 4.Lead spacing is measured where the leads emerge from the package.
  5. Power of chip led is 3.5mw
  - 6.Specifications are subjected to change without notice