



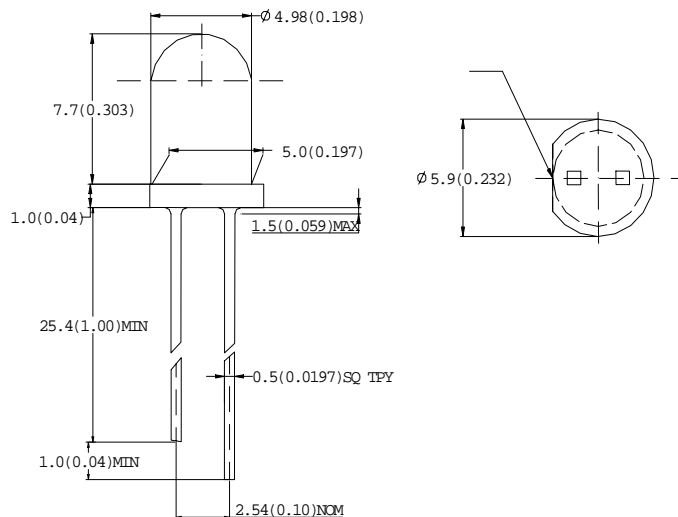
RLS-UV380

●ABSOLUTE MAXIMUM RATINGS (Ta=25°C)

Reverse Voltage	5v
Reverse Current (VR=5v)	□ 10uA
Operating Temperature	-40°C~85°C
Storage Temperature	-40°C~100°C
Lead Soldering Temperature	250°C For (5 Seconds)
Power Dissipation	4.5mw

●ELECTRICAL AND OPTICAL CHARACTERISTICS (Ta=25°C)

Emitted Color	Chromaticity Coordinates(note4) At(20MA) $\lambda p(\text{nm})$	Lens Appearance	Absolute Maximum Rating			ELECTRO-OPTICAL DATE (At20MA)				Viewing Angle 2θ 1/2 (deg)
			Pd (mw)	IF (mA)	Peak IF(mA)	VF(v)		IV(mcd)		
						TYP	max	min	TYP	
Ultra Violet	380-385	Water Clear	60	20	150	3.4	3.7	30	60	15±2



- NOTES:**
- 1.All dimensions are in millimeters (inches)
 - 2.Tolerance is $\pm 0.25\text{mm}(0.01)$ unless otherwise specified.
 - 3.The products are sensitive to static electricity and care must be fully taken when handling products.
 - 4.Lead spacing is measured where the leads emerge from the package.
 - 5.Specifications are subjected to change without notice