



## RLS-5W-200S

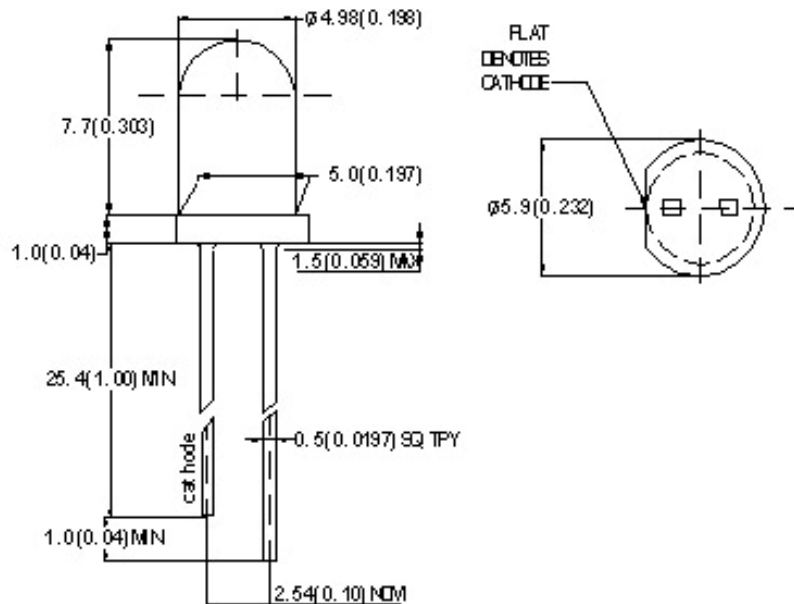
### Specifications of 5mm White led lamps

ABSOLUTE MAXIMUM RATINGS ( Ta=25°C )

Reverse Voltage	5v
Reverse Current ( VR=5v )	≤10uA
Operating Temperature	-40°C~85°C
Storage Temperature	-40°C~100°C
Lead Soldering Temperature	260°C For (5 Seconds)
Power Dissipation	8.0mw

### ELECTRICAL AND OPTICAL CHARACTERISTICS ( Ta=25°C )

Emitted Color	Peak wave length		Lens Appearance	Absolute Maximum Rating			ELECTRO-OPTICAL RATE (At20MA)				Viewing Angle (deg)
	X	Y		Pd (mw)	IF (mA)	Peak IF(mA)	VF(v)		IV(mcd)		
			TYP				max	min	TYP		
Super White	0.28	0.32	Water Clear	80	20	150	3.0	3.4	20000	25000	15±2



### NOTES:

1. All dimensions are in millimeters (inches).
2. Tolerance is ±0.25mm(0.01) unless otherwise specified.
3. The products are sensitive to static electricity and care must be fully taken when handing products.
4. Lead spacing is measured where the leads emerge from the package.
5. Specifications are subject to change without notice