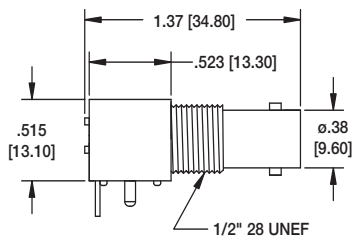


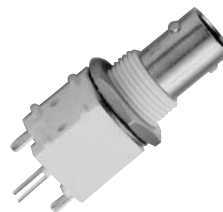
**RF1 TYPE 01**  
BNC RIGHT ANGLE FEMALE PCB MOUNT



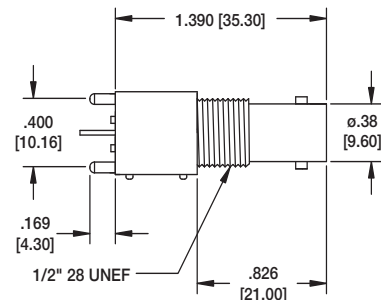
RF1-01-P-00-50



**RF1 TYPE 01V**  
BNC STRAIGHT FEMALE PCB MOUNT



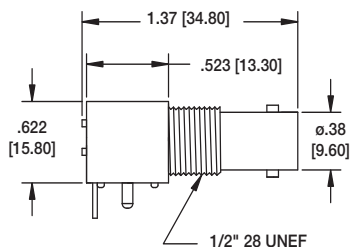
RF1-01V-P-00-75



**RF1 TYPE 01A**  
BNC HIGH PROFILE RIGHT ANGLE FEMALE PCB MOUNT



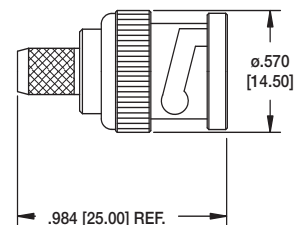
RF1-01A-P-00-50



**RF1 TYPE 03**  
BNC MALE CRIMP



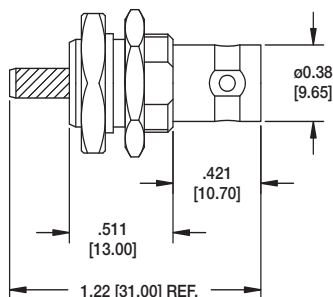
RF1-03-D-05-75



**RF1 TYPE 04**  
BNC FEMALE BULKHEAD CRIMP



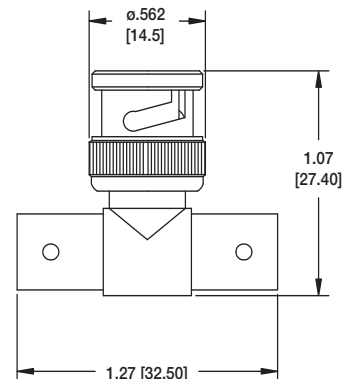
RF1-04-T-01-75



**RF1 TYPE 05**  
BNC MALE TO BNC DOUBLE FEMALE



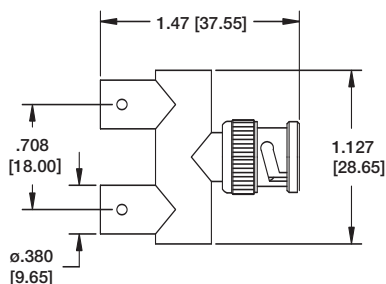
RF1-05-D-AS-75



**RF1 TYPE 06**  
BNC MALE "Y" ADAPTER



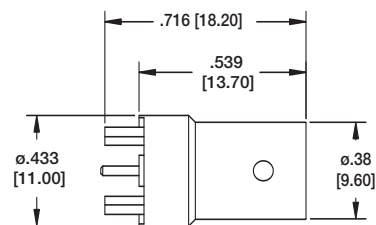
RF1-06-D-AS-50



**RF1 TYPE 07**  
BNC FEMALE PC BOARD MOUNT



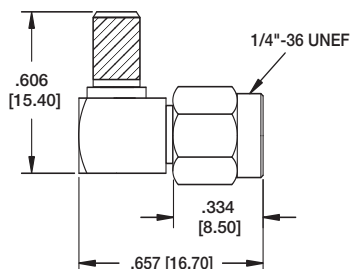
RF1-07-T-00-75



**RF2 TYPE 01**  
SMA RIGHT ANGLE MALE CRIMP TYPE



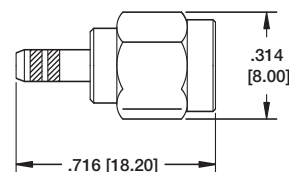
RF2-01-T-02-50



**RF2 TYPE 02**  
SMA MALE CRIMP TYPE



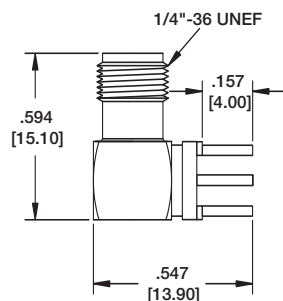
RF2-02-T-02-50-G



**RF2 TYPE 03**  
SMA RIGHT ANGLE FEMALE PC BOARD MOUNT



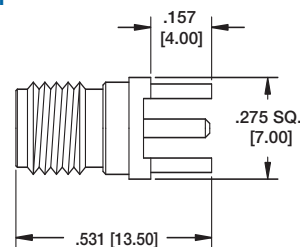
RF2-03-T-00-50-G



**RF2 TYPE 04**  
SMA FEMALE PC BOARD MOUNT



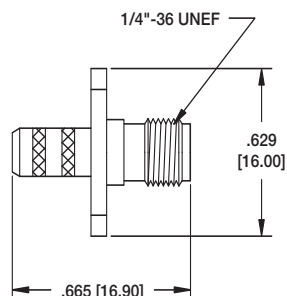
RF2-04-T-00-50-G



**RF2 TYPE 05**  
SMA FEMALE CHASSIS CRIMP



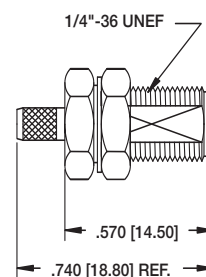
RF2-05-T-00-50-G



**RF2 TYPE 06**  
SMA FEMALE BULKHEAD CRIMP



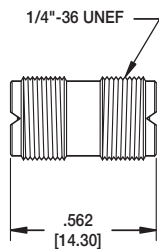
RF2-06-T-02-50



**RF2 TYPE 07**  
SMA DOUBLE FEMALE ADAPTOR



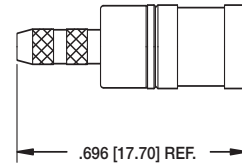
RF2-07-T-AS-50



**RF3 TYPE 01**  
SMB MALE CRIMP



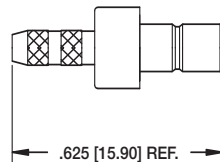
RF3-01-T-01-50-G



**RF3 TYPE 02**  
SMB FEMALE CRIMP



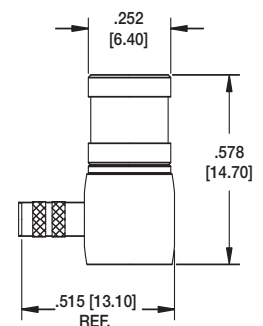
RF3-02-T-01-50-G



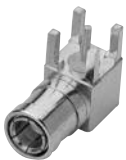
**RF3 TYPE 03**  
SMB MALE RIGHT ANGLE CRIMP



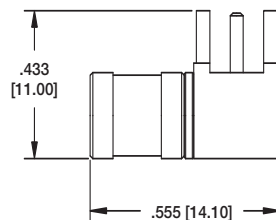
RF3-03-T-03-75-G



**RF3 TYPE 04**  
SMB RIGHT ANGLE MALE PCB MOUNT



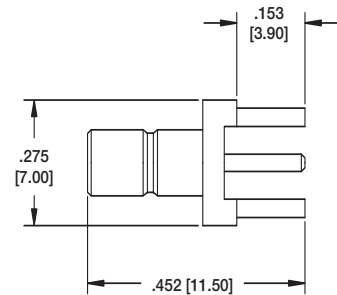
RF3-04-T-00-50-G



**RF3 TYPE 05**  
SMB FEMALE PCB MOUNT



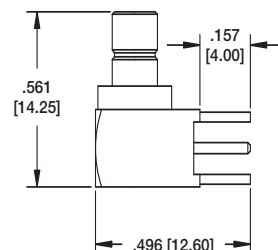
RF3-05-T-00-50-G



**RF3 TYPE 06**  
SMB RIGHT ANGLE FEMALE PCB MOUNT



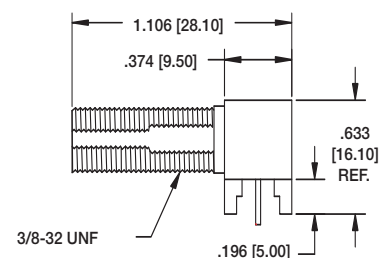
RF3-06-T-00-50-G



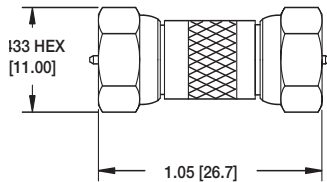
**RF4 TYPE 01**  
F FEMALE RIGHT ANGLE PCB MOUNT



RF4-01-T-00-75

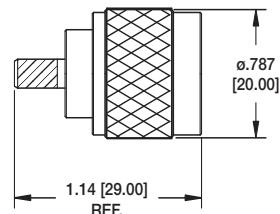


**RF4 TYPE 02**  
F MALE TO MALE



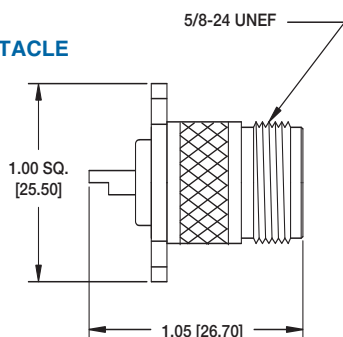
RF4-02-T-AS-75

**RF5 TYPE 01**  
N MALE CRIMP TYPE



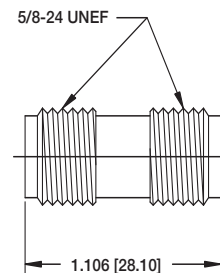
RF5-01-D-01-50

**RF5 TYPE 02**  
N FEMALE PANEL RECEPTACLE



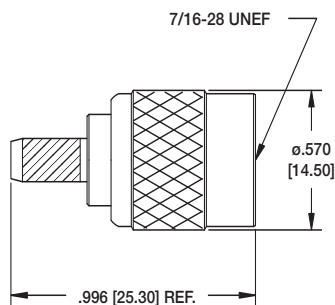
RF5-02-D-01-50

**RF6 TYPE 01**  
UHF DOUBLE FEMALE



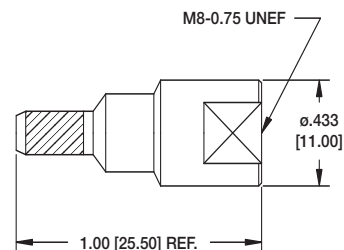
RF6-01-D-AS-50

**RF7 TYPE 01**  
TNC MALE CRIMP



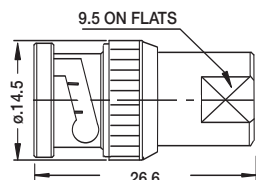
RF7-01-D-02-50

**RF8 TYPE 01**  
FME MALE CRIMP



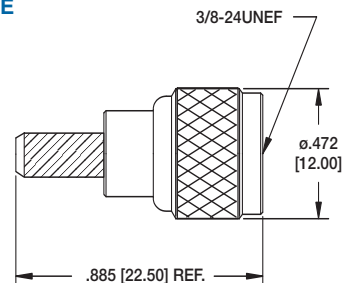
RF8-01-T-01-50-G

**RF8 TYPE 02**  
FME MALE TO BNC MALE


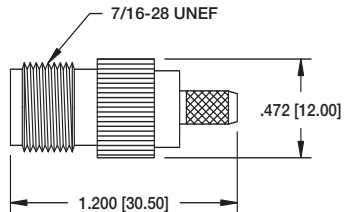

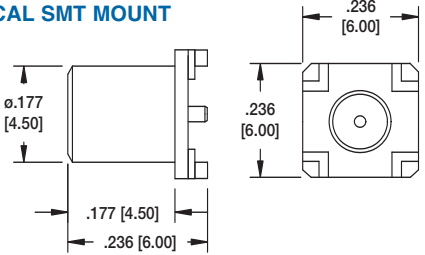
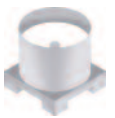
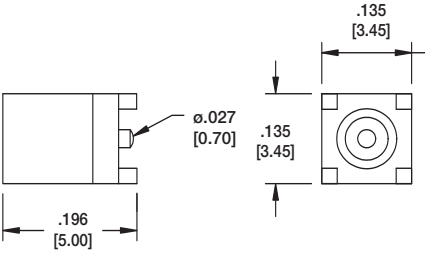

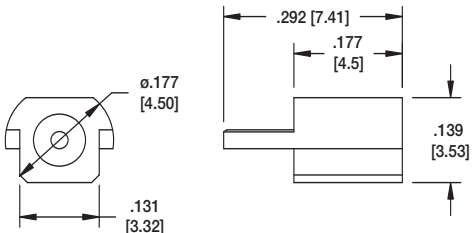
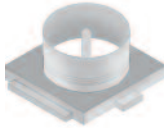
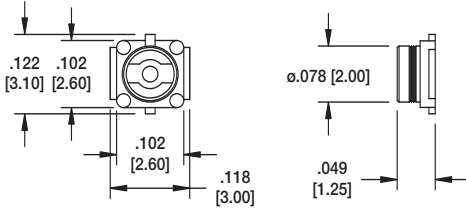

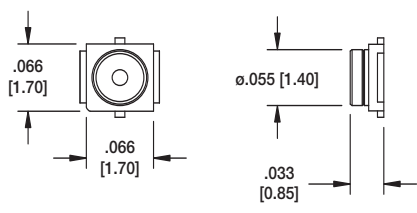

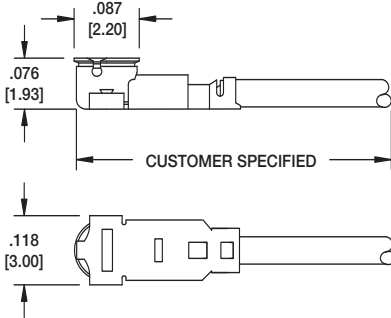



RF8-02-T-AS-50

**RF9 TYPE 01**  
MINI UHF MALE CRIMP TYPE



RF9-01-D-02-50

<p><b>RF7 TYPE 08</b> <b>TNC FEMALE CRIMP</b></p>  <p><b>RF7-08-T-02-50-G</b></p> 	<p><b>RF11 TYPE 01</b> <b>MCX FEMALE VERTICAL SMT MOUNT</b></p>  <p><b>RF11-01-T-00-50-G</b> Enlarged to show detail</p> 
<p><b>RF12 TYPE 04</b> <b>MMCX MALE VERTICAL PCB MOUNT</b></p>  <p><b>RF12-04-T-00-50-G</b> Enlarged to show detail</p> 	<p><b>RF12 TYPE 05</b> <b>MMCX PCB MOUNT</b></p>  <p><b>RF12-05-T-00-50-G</b></p> 
<p><b>RF20 TYPE 01</b> <b>MHF SURFACE MOUNT</b></p>  <p><b>RF20-01-P-00-50-G</b> Enlarged to show detail</p> 	<p><b>RF28 TYPE 01</b> <b>W.FL SURFACE MOUNT</b></p>  <p><b>RF28-01-T-00-50-G</b> Enlarged to show detail</p> 
<p><b>RF20 TYPE 01 CABLE ASSEMBLY</b> <b>MATES WITH MHF SMT CONNECTOR</b></p>  <p><b>CA# 6994-XX</b></p> 	<p><b>RF28 TYPE 01 CABLE ASSEMBLY</b> <b>MATES W.FL SMT CONNECTOR</b></p>  <p><b>CA# 6993-XX</b></p> 