

Package Style: QFN, 12-pin, 2mmx2mmx0.5mm

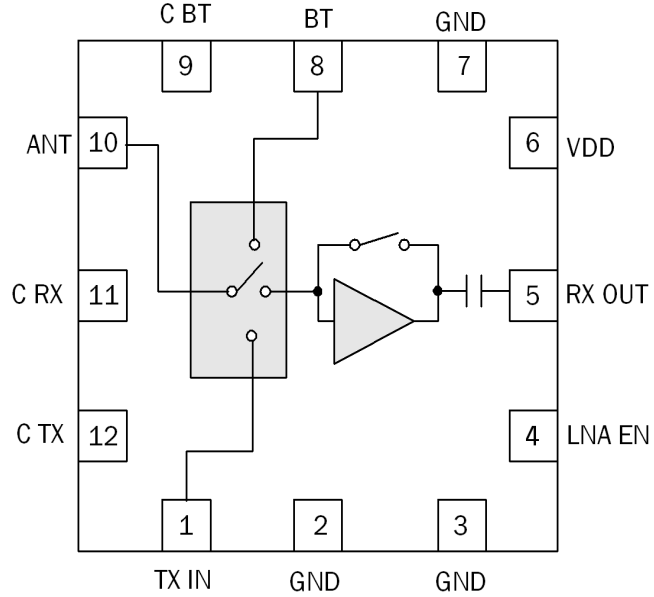


Features

- Single Die Front End Solution
- Single Supply Voltage 3.0V to 4.5V
- Integrated SP3T Switch and LNA with Bypass
- Typical gain is 12dB and 1.7dB NF in RX Mode Pin-to-Pin

Applications

- IEEE802.11b/g WLAN Applications
- 2.5GHz ISM Band Applications
- Portable Battery-Powered Equipment
- WLAN/Bluetooth™ Combo Devices



Functional Block Diagram

Product Description

The RF5501 is a front end solution for high-performance WLAN applications in the 2.4GHz to 2.5GHz ISM band. The RF5501 addresses the need for size reduction for a typical IEEE802.11b/g front end design and reduces the number of components outside of the core chipset. The RF5501 has an integrated SP3T Switch and a Low Noise Amplifier. It is capable of switching between WLAN RX, WLAN TX, and Bluetooth™ RX/TX operations. The RF5501 is provided in a 2mmx2mmx0.5mm, 12-pin package.

Ordering Information

RF5501	3.3V, Switch and LNA Front End Solution
RF5501PCK-41X	Fully Assembled Evaluation Board

Optimum Technology Matching® Applied

- | | | | |
|--------------------------------------|--------------------------------------|--|-----------------------------------|
| <input type="checkbox"/> GaAs HBT | <input type="checkbox"/> SiGe BiCMOS | <input checked="" type="checkbox"/> GaAs pHEMT | <input type="checkbox"/> GaN HEMT |
| <input type="checkbox"/> GaAs MESFET | <input type="checkbox"/> Si BiCMOS | <input type="checkbox"/> Si CMOS | <input type="checkbox"/> RF MEMS |
| <input type="checkbox"/> InGaP HBT | <input type="checkbox"/> SiGe HBT | <input type="checkbox"/> Si BJT | <input type="checkbox"/> LDMOS |

RF MICRO DEVICES®, RFMD®, Optimum Technology Matching®, Enabling Wireless Connectivity™, PowerStar®, POLARIS™ TOTAL RADIO™ and UltimateBlue™ are trademarks of RFMD, LLC. BLUETOOTH is a trademark owned by Bluetooth SIG, Inc., U.S.A. and licensed for use by RFMD. All other trade names, trademarks and registered trademarks are the property of their respective owners. ©2006, RF Micro Devices, Inc.

RF5501

Proposed



rfmd.com

**Please contact
RFMD Technical Support
at (336) 678-5570
for more information.**