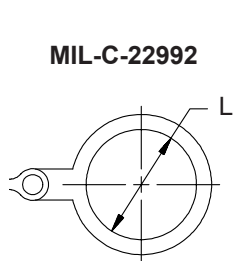


MS17349 and MS17350 Protective Covers



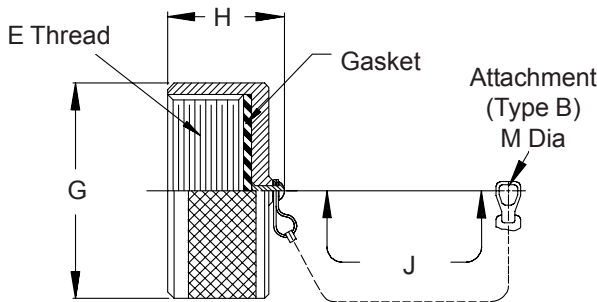
MS17349 Attachment Type A

MS17349 C 28 A

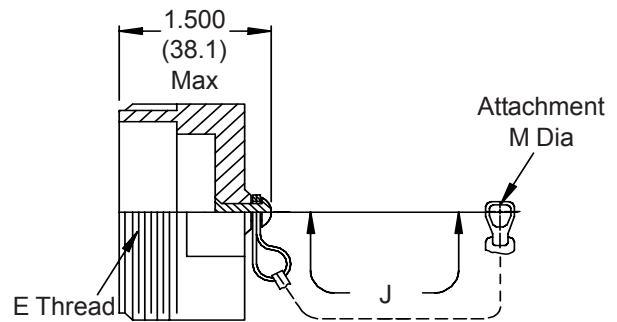
Basic Part No. _____
 MS17349 = Receptacle Cover
 MS17350 = Plug Cover

Attachment Type (MS17349 Only)
 Dash No.

Finish _____
 C = Conductive
 N = Non-Conductive



MS17349 Receptacle Cover



MS17350 Plug Cover

TABLE I

| Dash No. | E Thread | G Max | H Max | J Chain Length | L Min. | M Dia Min. |
|----------|---------------------|--------------|-------------|----------------|--------------|------------|
| 12 | .8750-0.1P-0.2L-DS | 1.094 (27.8) | .765 (19.4) | 5.00 (127.0) | 1.016 (25.8) | .150 (3.8) |
| 14 | 1.0000-0.1P-0.2L-DS | 1.219 (31.0) | .765 (19.4) | 5.00 (127.0) | 1.141 (29.0) | .150 (3.8) |
| 16 | 1.1250-0.1P-0.2L-DS | 1.344 (34.1) | .980 (24.9) | 5.00 (127.0) | 1.266 (32.2) | .150 (3.8) |
| 18 | 1.2500-0.1P-0.2L-DS | 1.469 (37.3) | .980 (24.9) | 5.00 (127.0) | 1.391 (35.3) | .177 (4.5) |
| 20 | 1.3750-0.1P-0.2L-DS | 1.562 (39.7) | .980 (24.9) | 5.00 (127.0) | 1.516 (38.5) | .177 (4.5) |
| 22 | 1.5000-0.1P-0.2L-DS | 1.688 (42.9) | .980 (24.9) | 6.00 (152.4) | 1.641 (41.7) | .177 (4.5) |
| 24 | 1.7500-0.1P-0.2L-DS | 1.938 (49.2) | .980 (24.9) | 6.00 (152.4) | 1.891 (48.0) | .177 (4.5) |
| 28 | 2.0000-0.1P-0.2L-DS | 2.219 (56.4) | .980 (24.9) | 6.00 (152.4) | 2.141 (54.4) | .177 (4.5) |
| 32 | 2.2500-0.1P-0.2L-DS | 2.469 (62.7) | .980 (24.9) | 6.00 (152.4) | 2.391 (60.7) | .199 (5.1) |
| 36 | 2.5000-0.1P-0.2L-DS | 2.719 (69.1) | .980 (24.9) | 6.00 (152.4) | 2.641 (67.1) | .199 (5.1) |
| 40 | 2.7500-0.1P-0.2L-DS | 2.969 (75.4) | .980 (24.9) | 6.00 (152.4) | 2.891 (73.4) | .199 (5.1) |
| 44 | 3.0000-0.1P-0.2L-DS | 3.219 (81.8) | .980 (24.9) | 6.00 (152.4) | 3.141 (79.8) | .199 (5.1) |

1. For complete dimensions see applicable Military Specification.
2. Metric dimensions (mm) are indicated in parentheses.