

**8-BIT SINGLE-CHIP MICROCONTROLLER****DESCRIPTION**

The  $\mu$ PD78P058F is an Electro Magnetic Interference (EMI) noise reduction version of the  $\mu$ PD78P058.

The  $\mu$ PD78P058F is a member of the  $\mu$ PD78058F Subseries of the 78K/0 Series, in which the on-chip mask ROM of the  $\mu$ PD78058F is replaced with one-time programmable (OTP) ROM.

Because this device can be programmed by users, it is suited for applications involving the small-scale production of many different products, and for rapid development and time-to-market of new products.

**Details are given in the following User's Manuals. Be sure to read them before starting design.**

**$\mu$ PD78058F, 78058FY Subseries User's Manual : U12068E**

**78K/0 Series User's Manual Instructions : U12326E**

**FEATURES**

- EMI noise reduction version (overall peak level reduced by 5 to 10 dB)
- Pin compatible with mask ROM versions (except the  $V_{PP}$  pin)
- Internal PROM : 60 Kbytes<sup>Note 1</sup>  
Programmable once only (ideal for small-scale production)
- Internal high-speed RAM : 1024 bytes
- Internal expansion RAM : 1024 bytes<sup>Note 2</sup>
- Buffer RAM : 32 bytes
- Operable in the same supply voltage range as mask ROM versions ( $V_{DD} = 2.7$  to  $6.0$  V)
- One of the QTOP™ Microcontrollers

- Notes**
1. The internal PROM capacity can be changed with the memory size switching register (IMS).
  2. The internal expansion RAM capacity can be changed with the internal expansion RAM size switching register (IXS).

- Remarks**
1. For the difference between PROM and mask ROM versions, see **1. DIFFERENCES BETWEEN  $\mu$ PD78P058F AND MASK ROM VERSIONS.**
  2. QTOP Microcontroller is the general name of the microcontrollers with on-chip one-time PROM that are totally supported by the NEC writing service (from writing to marking, screening and testing).

The information in this document is subject to change without notice.

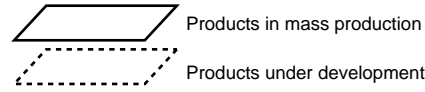
## ORDERING INFORMATION

	Part Number	Package	Internal ROM
	$\mu$ PD78P058FGC-3B9	80-pin plastic QFP (14 × 14 mm, Resin thickness: 2.7 mm)	One-time PROM
★	$\mu$ PD78P058FGC-8BT	80-pin plastic QFP (14 × 14 mm, Resin thickness: 1.4 mm)	One-time PROM

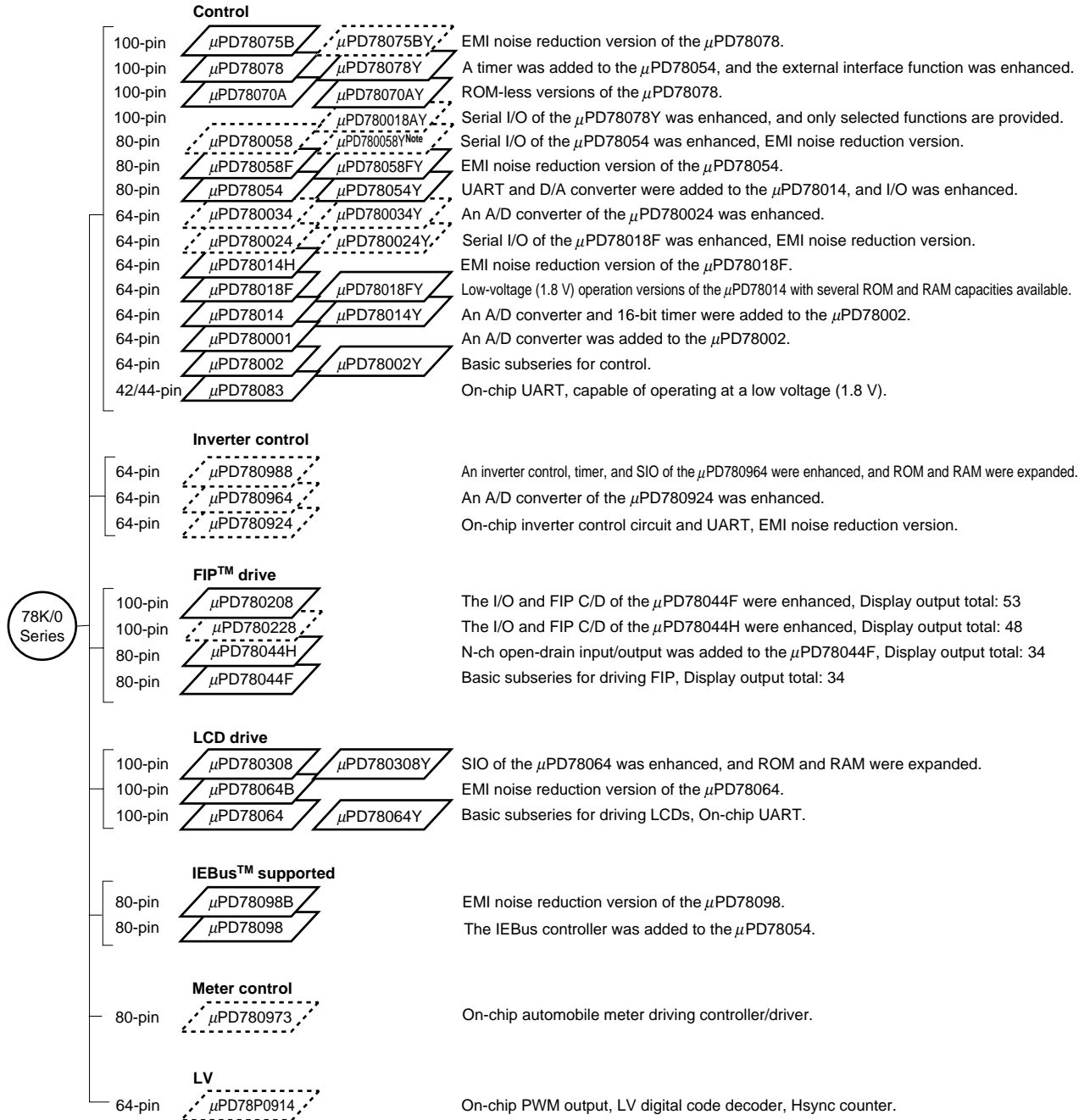
**Caution** The  $\mu$ PD78P058FGC contains two types of packages (see 8. PACKAGE DRAWINGS). For the packages which can be supplied, consult your local NEC sales representative.

★ 78K/0 SERIES PRODUCT DEVELOPMENT

These products are a further development in the 78K/0 Series. The designations appearing inside the boxes are subseries names.



Y subseries products are compatible with I<sup>2</sup>C bus.



**Note** Under planning

The major functional differences among the subseries are shown below.

Subseries Name	Function	ROM Capacity	Timer				8-bit A/D	10-bit A/D	8-bit D/A	Serial Interface	I/O	V <sub>DD</sub> MIN. Value	External Expansion			
			8-bit	16-bit	Watch	WDT										
Control	μPD78075B	32 K to 40 K	4ch	1ch	1ch	1ch	8ch	-	2ch	3ch (UART: 1ch)	88	1.8 V	Available			
	μPD78078	48 K to 60 K									61	2.7 V				
	μPD78070A	-														
	μPD780058	24 K to 60 K	2ch							3ch (time-division UART: 1ch)	68	1.8 V				
	μPD78058F	48 K to 60 K								3ch (UART: 1ch)	69	2.7 V				
	μPD78054	16 K to 60 K										2.0 V				
	μPD780034	8 K to 32 K								-	8ch	-		3ch (UART: 1ch, time-division 3-wire: 1ch)	51	1.8 V
	μPD780024									8ch	-	2ch		53		
	μPD78014H															
	μPD78018F	8 K to 60 K														
	μPD78014	8 K to 32 K								2.7 V						
	μPD780001	8 K	-	-				1ch	39		-					
	μPD78002	8 K to 16 K		1ch				-	53		Available					
	μPD78083			-			8ch		1ch (UART: 1ch)	33	1.8 V	-				
Inverter control	μPD780988	32 K to 60 K	3ch	Note 1	-	1ch	-	8ch	-	3ch (UART: 2ch)	47	4.0 V	Available			
	μPD780964	8 K to 32 K		Note 2					2ch (UART: 2ch)	2.7 V						
	μPD780924					8ch	-									
FIP drive	μPD780208	32 K to 60 K	2ch	1ch	1ch	1ch	8ch	-	-	2ch	74	2.7 V	-			
	μPD780228	48 K to 60 K	3ch	-	-					1ch	72	4.5 V				
	μPD78044H	32 K to 48 K	2ch	1ch	1ch						68	2.7 V				
	μPD78044F	16 K to 40 K								2ch						
LCD drive	μPD780308	48 K to 60 K	2ch	1ch	1ch	1ch	8ch	-	-	3ch (time-division UART: 1ch)	57	2.0 V	-			
	μPD78064B	32 K								2ch (UART: 1ch)						
	μPD78064	16 K to 32 K														
IEBus supported	μPD78098B	40 K to 60 K	2ch	1ch	1ch	1ch	8ch	-	2ch	3ch (UART: 1ch)	69	2.7 V	Available			
	μPD78098	32 K to 60 K														
Meter control	μPD780973	24 K to 32 K	3ch	1ch	1ch	1ch	5ch	-	-	2ch (UART: 1ch)	56	4.5 V	-			
LV	μPD78P0914	32 K	6ch	-	-	1ch	8ch	-	-	2ch	54	4.5 V	Available			

- Notes**
- 16-bit timer : 2 channels  
10-bit timer : 1 channel
  - 10-bit timer : 1 channel

## FUNCTION DESCRIPTION

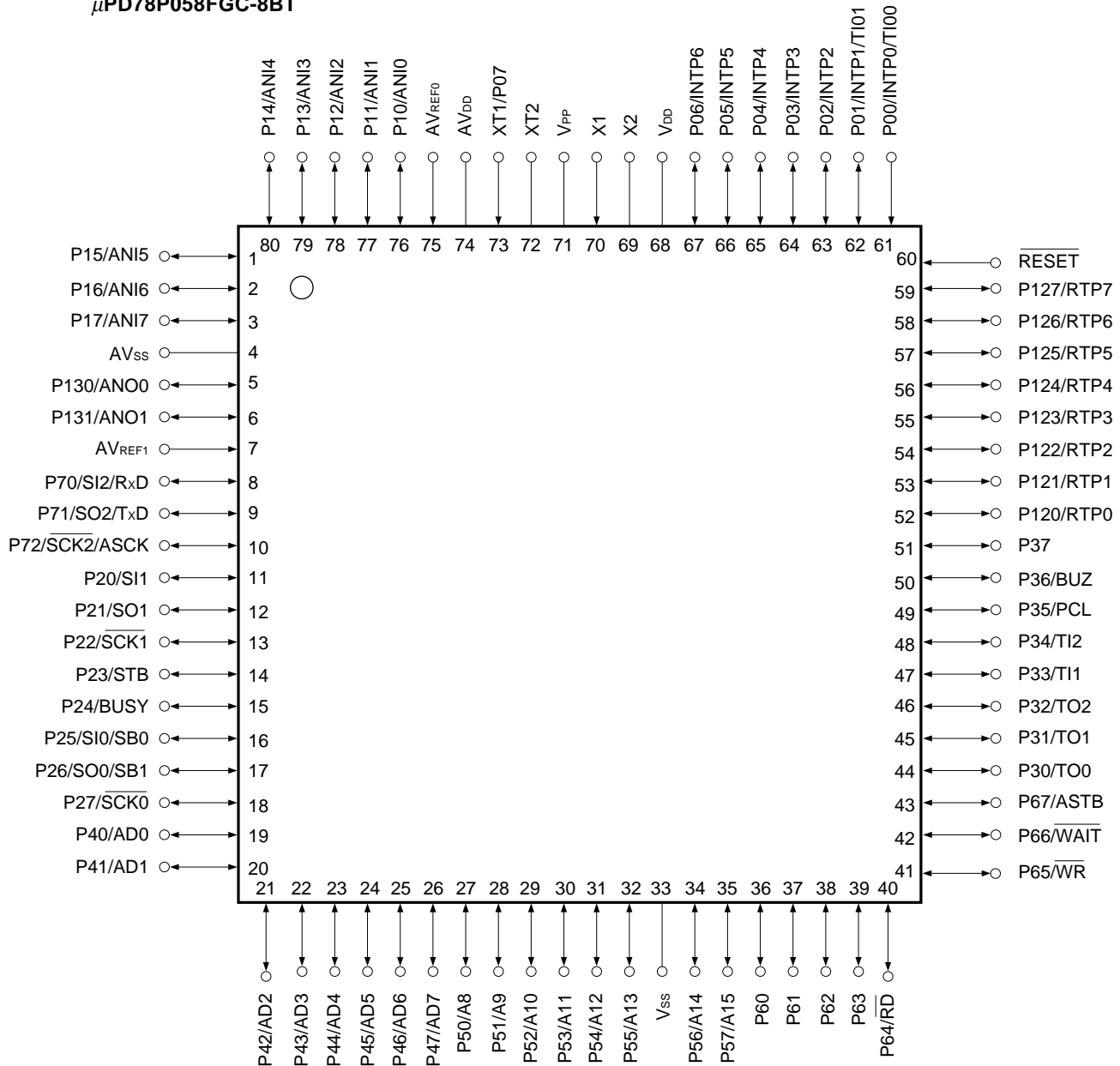
Item	Function								
Internal memory	<ul style="list-style-type: none"> <li>PROM : 60 Kbytes<sup>Note 1</sup></li> <li>RAM <ul style="list-style-type: none"> <li>High-speed RAM : 1024 bytes</li> <li>Expansion RAM : 1024 bytes<sup>Note 2</sup></li> <li>Buffer RAM : 32 bytes</li> </ul> </li> </ul>								
Memory space	64 Kbytes								
General register	8 bits × 32 registers (8 bits × 8 registers × 4 banks)								
Minimum instruction execution time	Minimum instruction execution time is variable.								
	When main system clock is selected								
	0.4 μs/0.8 μs/1.6 μs/3.2 μs/6.4 μs/12.8 μs (@ 5.0-MHz operation)								
	When subsystem clock is selected								
	122 μs (@ 32.768-kHz operation)								
Instruction set	<ul style="list-style-type: none"> <li>16-bit operation</li> <li>Multiply/divide (8-bit × 8-bit, 16-bit ÷ 8-bit)</li> <li>Bit manipulation (set, reset, test, Boolean operation)</li> <li>BCD adjust, etc.</li> </ul>								
I/O port	<table> <tr> <td>Total</td> <td>: 69</td> </tr> <tr> <td>• CMOS input</td> <td>: 2</td> </tr> <tr> <td>• CMOS input/output</td> <td>: 63</td> </tr> <tr> <td>• N-ch open-drain input/output</td> <td>: 4</td> </tr> </table>	Total	: 69	• CMOS input	: 2	• CMOS input/output	: 63	• N-ch open-drain input/output	: 4
Total	: 69								
• CMOS input	: 2								
• CMOS input/output	: 63								
• N-ch open-drain input/output	: 4								
A/D converter	8-bit resolution × 8 ch								
D/A converter	8-bit resolution × 2 ch								
Serial interface	<ul style="list-style-type: none"> <li>3-wire serial I/O, SBI, or 2-wire serial I/O mode selectable : 1 ch</li> <li>3-wire serial I/O mode (with on-chip max. 32-byte automatic transmit/receive function) : 1 ch</li> <li>3-wire serial I/O or UART mode selectable : 1 ch</li> </ul>								
Timer	<ul style="list-style-type: none"> <li>16-bit timer/event counter : 1 ch</li> <li>8-bit timer/event counter : 2 ch</li> <li>Watch timer : 1 ch</li> <li>Watchdog timer : 1 ch</li> </ul>								
Timer output	3 pins (14-bit PWM output: 1 pin)								
Clock output	19.5 kHz, 39.1 kHz, 78.1 kHz, 156 kHz, 313 kHz, 625 kHz, 1.25 MHz, 2.5 MHz, and 5.0 MHz (@ 5.0-MHz operation with main system clock) 32.768 kHz (@ 32.768-kHz operation with subsystem clock)								
Buzzer output	1.2 kHz, 2.4 kHz, 4.9 kHz and 9.8 kHz (@ 5.0-MHz operation with main system clock)								
Vectored interrupt source	Maskable	Internal: 13, external: 7							
	Non-maskable	Internal: 1							
	Software	1							
Test input	Internal: 1, external: 1								
Supply voltage	V <sub>DD</sub> = 2.7 to 6.0 V								
Operating ambient temperature	T <sub>A</sub> = -40 to +85°C								
Package	<ul style="list-style-type: none"> <li>80-pin plastic QFP (14 × 14 mm, Resin thickness: 2.7 mm)</li> <li>80-pin plastic QFP (14 × 14 mm, Resin thickness: 1.4 mm)</li> </ul>								

- Notes**
1. The internal PROM capacity can be changed with the memory size switching register (IMS).
  2. The internal expansion RAM capacity can be changed with the internal expansion RAM size switching register (IXS).

**PIN CONFIGURATIONS (Top View)**

**(1) Normal operating mode**

- 80-pin plastic QFP (14 × 14 mm, Resin thickness: 2.7 mm)  
μPD78P058FGC-3B9
- 80-pin plastic QFP (14 × 14 mm, Resin thickness: 1.4 mm)  
μPD78P058FGC-8BT

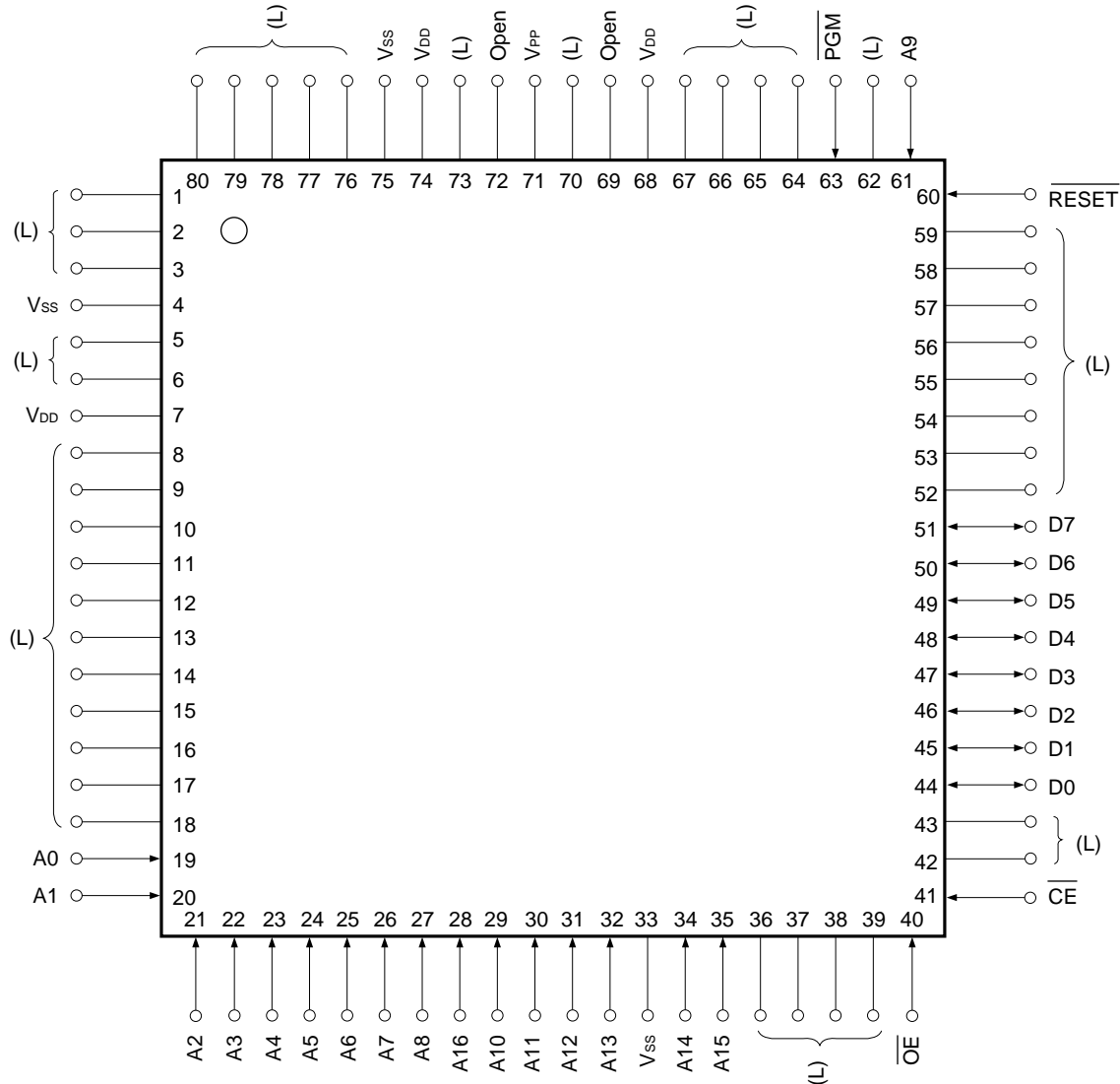


- Cautions**
1. Connect the V<sub>PP</sub> pin to V<sub>SS</sub>.
  2. The AV<sub>DD</sub> pin functions as both an A/D converter power supply and a port power supply. When the μPD78P058F is used in applications where the noise generated inside the microcontroller needs to be reduced, connect the AV<sub>DD</sub> pin to another power supply which has the same potential as V<sub>DD</sub>.
  3. The AV<sub>SS</sub> pin functions as both grounds of an A/D converter and D/A converter and of a port. When the μPD78P058F is used in applications where the noise generated inside the microcontroller needs to be reduced, connect the AV<sub>SS</sub> pin to a ground line other than V<sub>SS</sub>.

A8 to A15	: Address Bus	PCL	: Programmable Clock
AD0 to AD7	: Address/Data Bus	$\overline{RD}$	: Read Strobe
ANI0 to ANI7	: Analog Input	$\overline{RESET}$	: Reset
ANO0, ANO1	: Analog Output	RTP0 to RTP7	: Real-Time Output Port
ASCK	: Asynchronous Serial Clock	RxD	: Receive Data
ASTB	: Address Strobe	SB0, SB1	: Serial Bus
AV <sub>DD</sub>	: Analog Power Supply	$\overline{SCK0}$ to $\overline{SCK2}$	: Serial Clock
AV <sub>REF0</sub> , AV <sub>REF1</sub>	: Analog Reference Voltage	SI0 to SI2	: Serial Input
AV <sub>SS</sub>	: Analog Ground	SO0 to SO2	: Serial Output
BUSY	: Busy	STB	: Strobe
BUZ	: Buzzer Clock	TI00, TI01	: Timer Input
INTP0 to INTP6	: Interrupt from Peripherals	TI1, TI2	: Timer Input
P00 to P07	: Port 0	TO0 to TO2	: Timer Output
P10 to P17	: Port 1	TxD	: Transmit Data
P20 to P27	: Port 2	V <sub>DD</sub>	: Power Supply
P30 to P37	: Port 3	V <sub>PP</sub>	: Programming Power Supply
P40 to P47	: Port 4	V <sub>SS</sub>	: Ground
P50 to P57	: Port 5	$\overline{WAIT}$	: Wait
P60 to P67	: Port 6	$\overline{WR}$	: Write Strobe
P70 to P72	: Port 7	X1, X2	: Crystal (Main System Clock)
P120 to P127	: Port 12	XT1, XT2	: Crystal (Subsystem Clock)
P130, P131	: Port 13		

(2) PROM programming mode

- 80-pin plastic QFP (14 × 14 mm, Resin thickness: 2.7 mm)  
μPD78P058FGC-3B9
- 80-pin plastic QFP (14 × 14 mm, Resin thickness: 1.4 mm)  
μPD78P058FGC-8BT

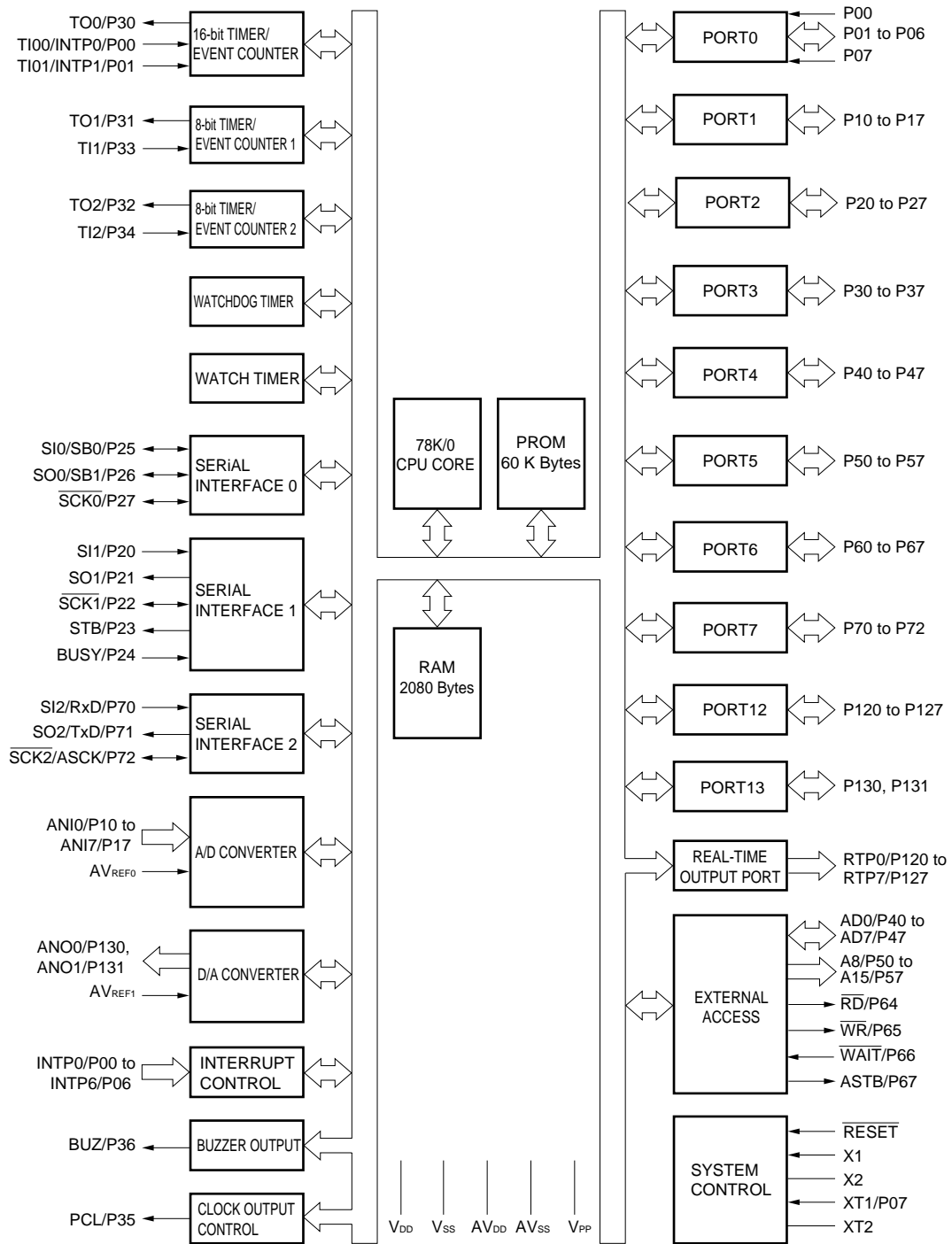


- Cautions**
1. (L) : Individually connect to V<sub>SS</sub> via a pull-down resistor.
  2. V<sub>SS</sub> : Connect to GND.
  3.  $\overline{\text{RESET}}$  : Set to low level.
  4. Open : No connection

A0 to A16	: Address Bus	$\overline{\text{RESET}}$	: Reset
$\overline{\text{CE}}$	: Chip Enable	V <sub>DD</sub>	: Power Supply
D0 to D7	: Data Bus	V <sub>PP</sub>	: Programming Power Supply
$\overline{\text{OE}}$	: Output Enable	V <sub>SS</sub>	: Ground
$\overline{\text{PGM}}$	: Program		



**BLOCK DIAGRAM**



## CONTENTS

1. DIFFERENCES BETWEEN $\mu$ PD78P058F AND MASK ROM VERSIONS .....	11
2. PIN FUNCTIONS .....	12
2.1 Pins in Normal Operating Mode .....	12
2.2 Pins in PROM Programming Mode .....	16
2.3 Pin Input/Output Circuits and Recommended Connection of Unused Pins .....	17
3. MEMORY SIZE SWITCHING REGISTER (IMS) .....	21
4. INTERNAL EXPANSION RAM SIZE SWITCHING REGISTER (IXS) .....	22
5. PROM PROGRAMMING .....	23
5.1 Operating Modes .....	23
5.2 PROM Write Procedure .....	25
5.3 PROM Read Procedure .....	29
6. SCREENING OF ONE-TIME PROM VERSIONS .....	30
7. ELECTRICAL SPECIFICATIONS .....	31
8. PACKAGE DRAWINGS .....	63
9. RECOMMENDED SOLDERING CONDITIONS .....	65
APPENDIX A. DEVELOPMENT TOOLS .....	67
APPENDIX B. RELATED DOCUMENTS .....	71

**1. DIFFERENCES BETWEEN μPD78P058F AND MASK ROM VERSIONS**

The μPD78P058F is a single-chip microcontroller with an on-chip one-time PROM.

Setting the memory size switching register (IMS) and internal expansion RAM size switching register (IXS) enables identical functions to mask ROM versions (μPD78056F and 78058F) except the functions of PROM specifications and of mask options for P60 to P63.

Differences between the μPD78P058F and mask ROM versions are shown in Table 1-1.

**Table 1-1. Differences between μPD78P058F and Mask ROM Versions**

Item	μPD78P058F	Mask ROM Versions
Internal ROM structure	One-time PROM	Mask ROM
Internal ROM capacity	60 Kbytes	μPD78056F : 48 Kbytes μPD78058F : 60 Kbytes
Internal expansion RAM capacity	1024 bytes	μPD78056F : None μPD78058F : 1024 bytes
Change of internal ROM capacity by memory size switching register (IMS)	Can be changed <sup>Note</sup>	Cannot be changed
Change of internal expansion RAM capacity by internal expansion RAM size switching register (IXS)	Can be changed <sup>Note</sup>	Cannot be changed
IC pin	None	Provided
V <sub>PP</sub> pin	Provided	None
Pull-up resistor on-chip mask option of P60 to P63 pins	None	Provided
Electrical specifications, recommended soldering conditions	See each Data Sheet.	

**Note** The  $\overline{\text{RESET}}$  input sets the internal PROM capacity and internal expansion RAM capacity to 60 Kbytes and 1024 bytes, respectively.

★ **Caution** The PROM version and mask ROM version differ in noise tolerance and noise emission. When replacing a PROM version with a mask ROM version when switching from experimental production to mass production, make a thorough evaluation with a CS version (not ES version) of the mask ROM version.

2. PIN FUNCTIONS

2.1 Pins in Normal Operating Mode

(1) Port pins (1/2)

Pin Name	Input/Output	Function		After Reset	Alternate Function
P00	Input	Port 0 8-bit input/output port	Input only	Input	INTP0/TI00
P01	Input/output		Input/output is specifiable bit-wise. When used as the input port, it is possible to use an on-chip pull-up resistor by software.	Input	INTP1/TI01
P02					INTP2
P03					INTP3
P04					INTP4
P05					INTP5
P06					INTP6
P07 <sup>Note 1</sup>	Input		Input only	Input	XT1
P10 to P17	Input/output	Port 1 8-bit input/output port Input/output is specifiable bit-wise. When used as the input port, it is possible to use an on-chip pull-up resistor by software. <sup>Note 2</sup>		Input	ANI0 to ANI7
P20	Input/output	Port 2 8-bit input/output port Input/output is specifiable bit-wise. When used as the input port, it is possible to use an on-chip pull-up resistor by software.	Input	SI1	
P21				SO1	
P22				$\overline{\text{SCK1}}$	
P23				STB	
P24				BUSY	
P25				SI0/SB0	
P26				SO0/SB1	
P27				$\overline{\text{SCK0}}$	
P30	Input/output	Port 3 8-bit input/output port Input/output is specifiable bit-wise. When used as the input port, it is possible to use an on-chip pull-up resistor by software.	Input	TO0	
P31				TO1	
P32				TO2	
P33				TI1	
P34				TI2	
P35				PCL	
P36				BUZ	
P37				—	

- Notes**
1. When the P07/XT1 pins are used as the input ports, set the processor clock control register (PCC) bit 6 (FRC) to 1, and be sure not to use the feedback resistor of the subsystem clock oscillation circuit.
  2. When the P10/ANI0 to P17/ANI7 pins are used as the analog inputs for A/D converter, set port 1 to input mode. The on-chip pull-up resistors are automatically disabled.

**Caution** For pins which also function as port pins, do not perform the following operations during A/D conversion. If these operations are performed, the total error ratings cannot be kept.

<1> Rewrite the output latch while the pin is used as a port pin.

<2> Change the output level of the pin used as an output pin, even if it is not used as a port pin.

(1) Port pins (2/2)

Pin Name	Input/Output	Function		After Reset	Alternate Function
P40 to P47	Input/output	Port 4 8-bit input/output port Input/output is specifiable as 8-bit unit. When used as the input port, it is possible to use an on-chip pull-up resistor by software. Set test input flag (KRIF) to 1 by falling edge detection.		Input	AD0 to AD7
P50 to P57	Input/output	Port 5 8-bit input/output port It is possible to directly drive LEDs. Input/output is specifiable bit-wise. When used as the input port, it is possible to use an on-chip pull-up resistor by software.		Input	A8 to A15
P60	Input/output	Port 6 8-bit input/output port Input/output is specifiable bit-wise.	N-ch open-drain input/output port. It is possible to directly drive LEDs.	Input	—
P61					
P62					
P63					
P64			When used as the input port, it is possible to use an on-chip pull-up resistor by software.	Input	R $\bar{D}$
P65					WR
P66					WAIT
P67					ASTB
P70	Input/output	Port 7 3-bit input/output port Input/output is specifiable bit-wise. When used as the input port, it is possible to use an on-chip pull-up resistor by software.	Input	SI2/RxD	
P71				SO2/TxD	
P72				SCK2/ASCK	
P120 to P127	Input/output	Port 12 8-bit input/output port Input/output is specifiable bit-wise. When used as the input port, it is possible to use an on-chip pull-up resistor by software.		Input	RTP0 to RTP7
P130, P131	Input/output	Port 13 2-bit input/output port Input/output is specifiable bit-wise. When used as the input port, it is possible to use an on-chip pull-up resistor by software.		Input	ANO0, ANO1

**Caution** For pins which also function as port pins, do not perform the following operations during A/D conversion. If these operations are performed, the total error ratings cannot be kept.

<1> Rewrite the output latch while the pin is used as a port pin.

<2> Change the output level of the pin used as an output pin, even if it is not used as a port pin.

## (2) Non-port pins (1/2)

Pin Name	Input/Output	Function	After Reset	Alternate Function
INTP0	Input	External interrupt request inputs, with specifiable valid edges (rising edge, falling edge, and both rising and falling edges)	Input	P00/TI00
INTP1				P01/TI01
INTP2				P02
INTP3				P03
INTP4				P04
INTP5				P05
INTP6				P06
SI0	Input	Serial data input of the serial interface	Input	P25/SB0
SI1				P20
SI2				P70/RxD
SO0	Output	Serial data output of the serial interface	Input	P26/SB1
SO1				P21
SO2				P71/TxD
SB0	Input/output	Serial data input/output of the serial interface	Input	P25/SI0
SB1				P26/SO0
$\overline{\text{SCK0}}$	Input/output	Serial clock input/output of the serial interface	Input	P27
$\overline{\text{SCK1}}$				P22
$\overline{\text{SCK2}}$				P72/ASCK
STB	Output	Automatic transmitting/receiving strobe output of the serial interface	Input	P23
BUSY	Input	Automatic transmitting/receiving busy input of the serial interface	Input	P24
RxD	Input	Serial data input for asynchronous serial interface	Input	P70/SI2
TxD	Output	Serial data output for asynchronous serial interface	Input	P71/SO2
ASCK	Input	Serial clock input for asynchronous serial interface	Input	P72/SCK2
TI00	Input	External count clock input to 16-bit timer (TM0)	Input	P00/INTP0
TI01		Capture trigger signal input to capture register (CR00)		P01/INTP1
TI1		External count clock input to 8-bit timer (TM1)		P33
TI2		External count clock input to 8-bit timer (TM2)		P34
TO0	Output	16-bit timer (TM0) output (Can be used together with 14-bit PWM output.)	Input	P30
TO1		8-bit timer (TM1) output		P31
TO2		8-bit timer (TM2) output		P32

## (2) Non-port pins (2/2)

Pin Name	Input/Output	Function	After Reset	Alternate Function
PCL	Output	Clock output (for trimming main system clock and subsystem clock)	Input	P35
BUZ	Output	Buzzer output	Input	P36
RTP0 to RTP7	Output	Real-time output port which outputs data in synchronization with trigger	Input	P120 to P127
AD0 to AD7	Input/output	Low-order address/data bus when expanding memory externally	Input	P40 to P47
A8 to A15	Output	High-order address bus when expanding memory externally	Input	P50 to P57
$\overline{\text{RD}}$	Output	Strobe signal output for the external memory read operation	Input	P64
$\overline{\text{WR}}$		Strobe signal output for the external memory write operation	Input	P65
$\overline{\text{WAIT}}$	Input	Wait insertion when accessing external memory	Input	P66
ASTB	Output	Strobe output to externally latches address information which is output to ports 4 and 5 for accessing external memory	Input	P67
ANI0 to ANI7	Input	Analog input of A/D converter	Input	P10 to P17
ANO0, ANO1	Output	Analog output of D/A converter	Input	P130, P131
AVREF0	Input	Reference voltage input of A/D converter	—	—
AVREF1	Input	Reference voltage input of D/A converter	—	—
AVDD	—	Analog power supply of A/D converter (shared with the port power supply)	—	—
AVSS	—	Ground potential of A/D converter and D/A converter (shared with the port ground potential)	—	—
$\overline{\text{RESET}}$	Input	System reset input	—	—
X1	Input	Main system clock oscillation crystal connection	—	—
X2	—		—	—
XT1	Input	Subsystem clock oscillation crystal connection	Input	P07
XT2	—		—	—
VDD	—	Positive power supply (except for port)	—	—
VPP	—	High-voltage applied during program write/verify. Connected to Vss in normal operating mode.	—	—
VSS	—	Ground potential (except for port)	—	—

- Cautions**
1. The AVDD pin functions as both an A/D converter power supply and a port power supply. When the  $\mu$ PD78P058F is used in applications where the noise generated inside the microcontroller needs to be reduced, connect the AVDD pin to another power supply which has the same potential as VDD.
  2. The AVSS pin functions as both grounds of an A/D converter and D/A converter and of a port. When the  $\mu$ PD78P058F is used in applications where the noise generated inside the microcontroller needs to be reduced, connect the AVSS pin to a ground line other than Vss.

## 2.2 Pins in PROM Programming Mode

Pin Name	Input/Output	Function
$\overline{\text{RESET}}$	Input	PROM programming mode setting When +5 V or +12.5 V is applied to the $V_{PP}$ pin and a low-level signal is applied to the $\overline{\text{RESET}}$ pin, this chip is set in the PROM programming mode.
$V_{PP}$	Input	PROM programming mode setting and high-voltage applied during program write/verification
A0 to A16	Input	Address bus
D0 to D7	Input/output	Data bus
$\overline{\text{CE}}$	Input	PROM enable input/program pulse input
$\overline{\text{OE}}$	Input	Read strobe input to PROM
$\overline{\text{PGM}}$	Input	Program/program inhibit input in PROM programming mode
$V_{DD}$	—	Positive power supply
$V_{SS}$	—	Ground potential



**2.3 Pin Input/Output Circuits and Recommended Connection of Unused Pins**

Types of input/output circuits of the pins and recommended connection of unused pins are shown in Table 2-1.

For the configuration of each type of input/output circuit, see Figure 2-1.

**Table 2-1. Pin Input/Output Circuit Type (1/2)**

Pin Name	Input/Output Circuit Type	Input/Output	Recommended Connection when Unused		
P00/INTP0/TI00	2	Input	Connect to V <sub>SS</sub> .		
P01/INTP1/TI01	8-D	Input/output	Independently connect to V <sub>SS</sub> through resistor.		
P02/INTP2					
P03/INTP3					
P04/INTP4					
P05/INTP5					
P06/INTP6					
P07/XT1	16	Input	Connect to V <sub>DD</sub> .		
P10/ANI0 to P17/ANI7	11-C	Input/output	Independently connect to V <sub>DD</sub> or V <sub>SS</sub> through resistor.		
P20/SI1	8-D				
P21/SO1	5-J				
P22/ $\overline{\text{SCK}}1$	8-D				
P23/STB	5-J				
P24/BUSY	8-D				
P25/SI0/SB0	10-C				
P26/SO0/SB1					
P27/ $\overline{\text{SCK}}0$					
P30/TO0	5-J				
P31/TO1					
P32/TO2					
P33/TI1	8-D				
P34/TI2					
P35/PCL	5-J				
P36/BUZ					
P37					
P40/AD0 to P47/AD7	5-O				Independently connect to V <sub>DD</sub> through resistor.

Table 2-1. Pin Input/Output Circuit Type (2/2)

Pin Name	Input/Output Circuit Type	Input/Output	Recommended Connection when Unused
P50/A8 to P57/A15	5-J	Input/output	Independently connect to V <sub>DD</sub> or V <sub>SS</sub> through resistor.
P60 to P63	13-H		Independently connect to V <sub>DD</sub> through resistor.
P64/ $\overline{RD}$	5-J		Independently connect to V <sub>DD</sub> or V <sub>SS</sub> through resistor.
P65/ $\overline{WR}$			
P66/ $\overline{WAIT}$			
P67/ASTB			
P70/SI2/RxD	8-D		
P71/SO2/TxD	5-J		
P72/ $\overline{SCK2}$ /ASCK	8-D		
P120/RTP0 to P127/RTP7	5-J		
P130/ANO0, P131/ANO1	12-B		Independently connect to V <sub>SS</sub> through resistor.
$\overline{RESET}$	2	Input	—
XT2	16	—	Leave open.
AV <sub>REF0</sub>	—		Connect to V <sub>SS</sub> .
AV <sub>REF1</sub>			Connect to V <sub>DD</sub> .
AV <sub>DD</sub>			Connect to another power supply which has the same potential as V <sub>DD</sub> .
AV <sub>SS</sub>			Connect to another ground line which has the same potential as V <sub>SS</sub> .
V <sub>PP</sub>			Connect to V <sub>SS</sub> .

Figure 2-1. Pin Input/Output Circuits (1/2)

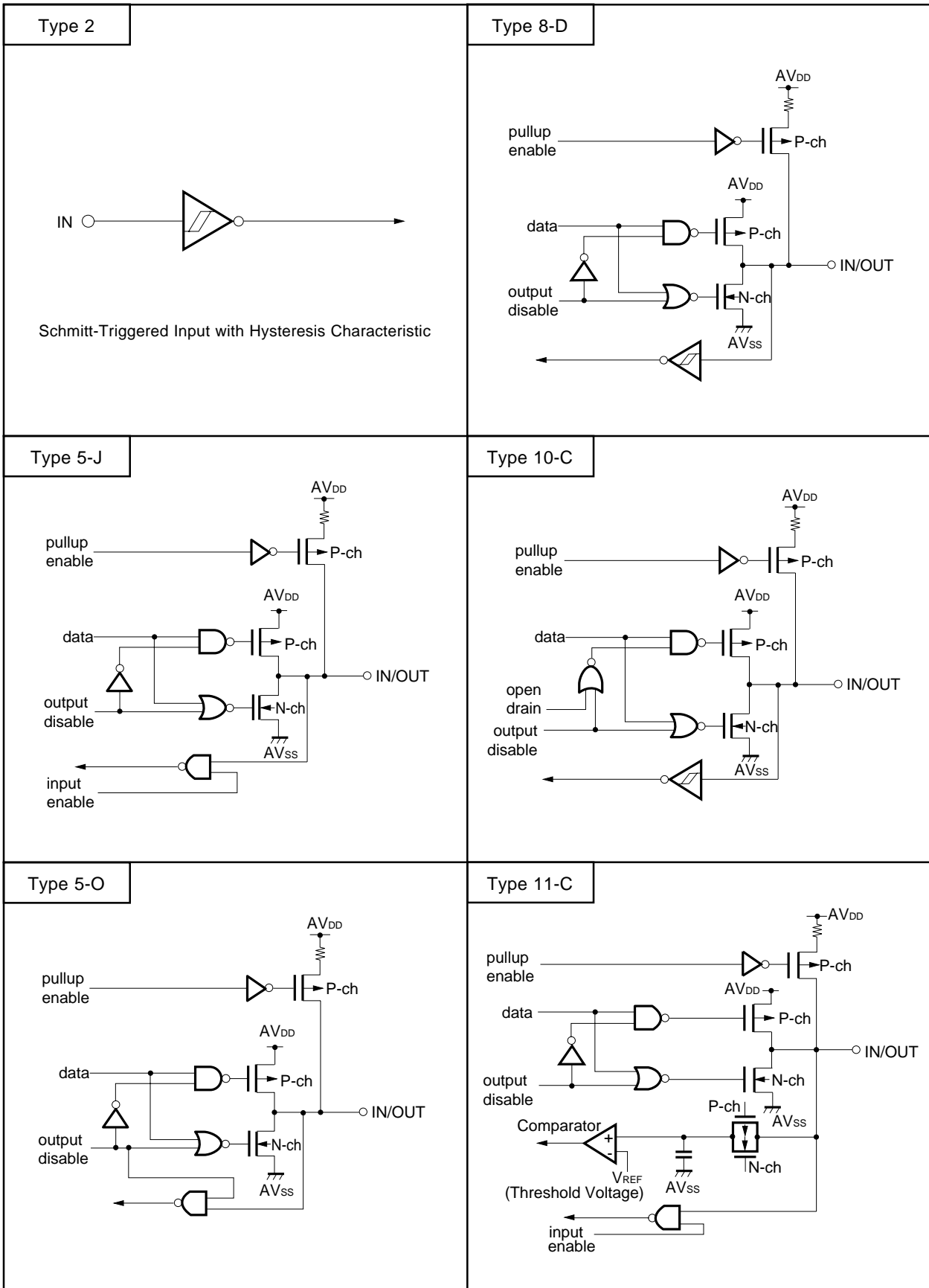
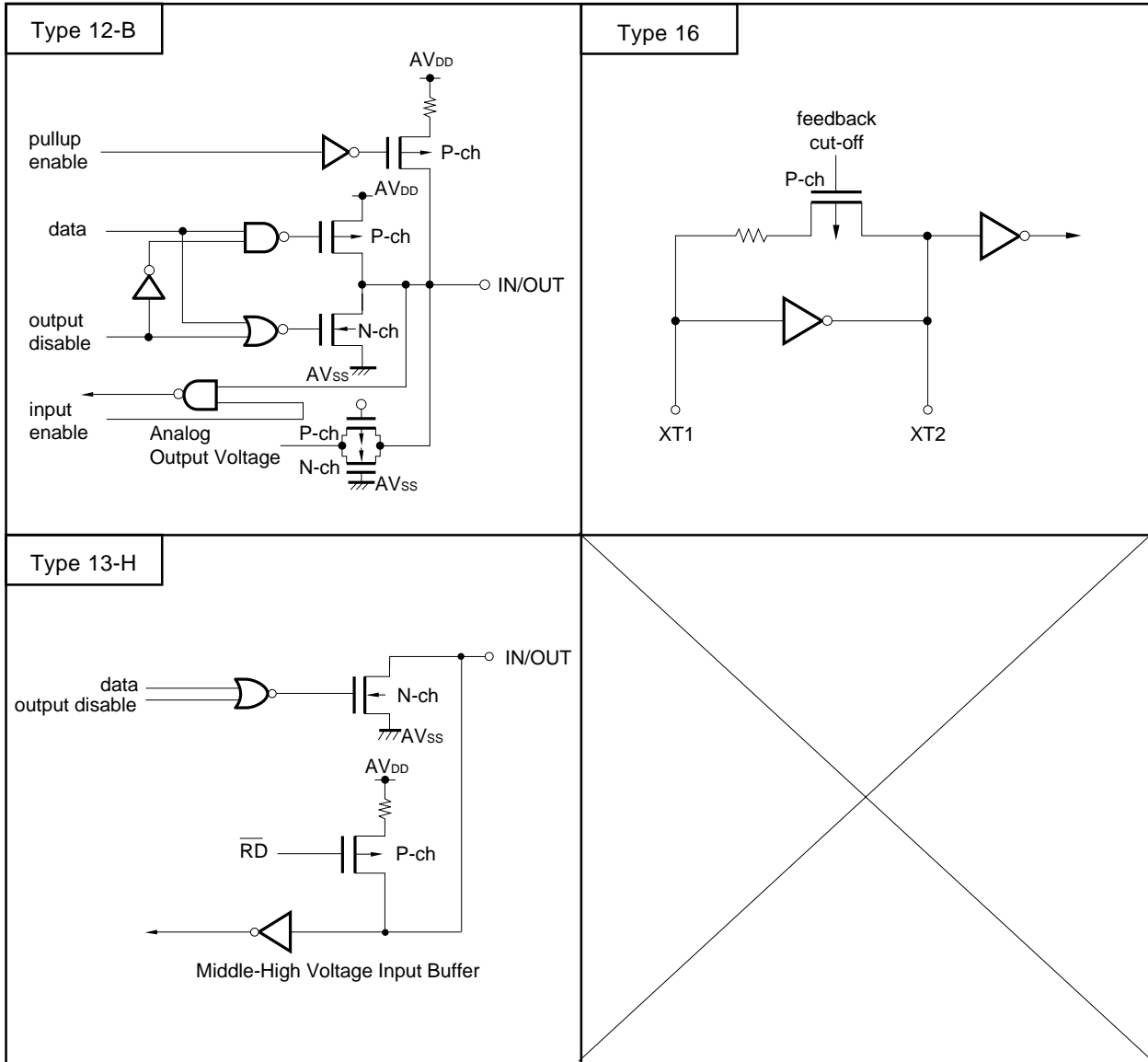


Figure 2-1. Pin Input/Output Circuits (2/2)

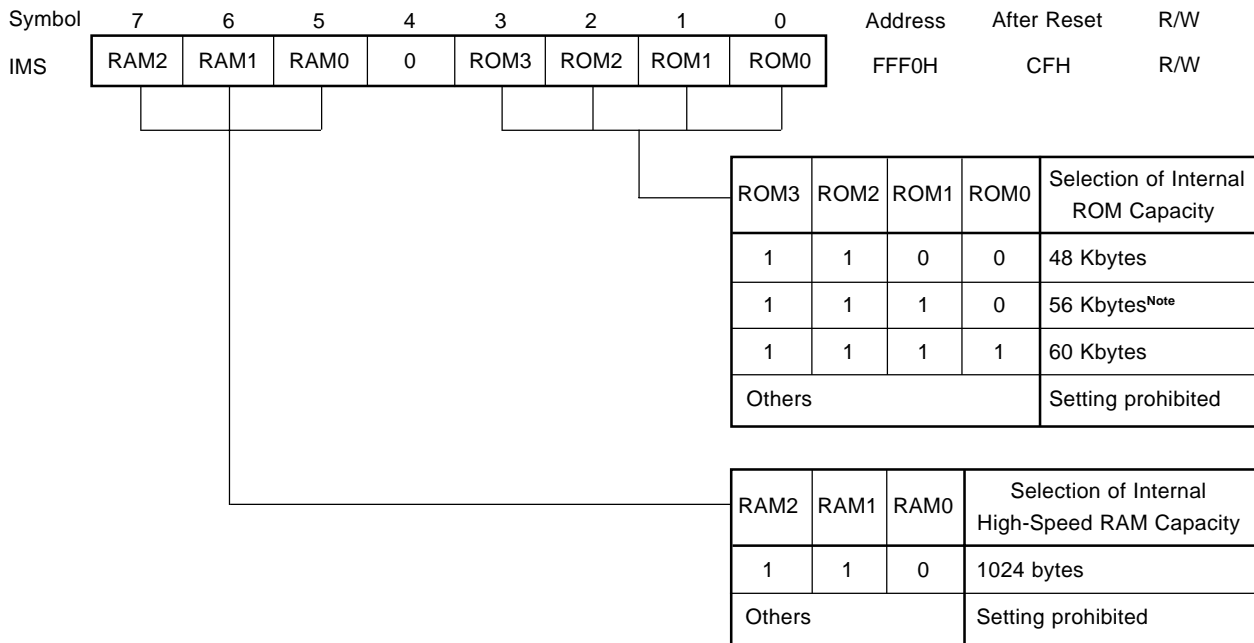


### 3. MEMORY SIZE SWITCHING REGISTER (IMS)

This is a register to disable use of part of internal memories by software. By setting this memory size switching register (IMS), it is possible to get the same memory mapping as that of a mask ROM version having different internal memories (ROM).

The IMS register is set with an 8-bit memory manipulation instruction.  
 RESET input sets IMS to CFH.

**Figure 3-1. Memory Size Switching Register Format**



**Note** Set the internal ROM capacity to 56 Kbytes or less when external device expansion function is used.

Table 3-1 shows the setting values of IMS which make the memory mapping the same as that of the mask ROM versions.

**Table 3-1. Memory Size Switching Register Setting Values**

Target Mask ROM Version	IMS Setting Value
μPD78056F	CCH
μPD78058F	CFH

#### 4. INTERNAL EXPANSION RAM SIZE SWITCHING REGISTER (IXS)

This is a register to set the internal expansion RAM capacity by software. By setting this internal expansion RAM size switching register (IXS), it is possible to get the same memory mapping as that of a mask ROM version having different internal expansion RAM.

The IXS register is set with an 8-bit memory manipulation instruction.

RESET input sets IXS to 0AH.

**Figure 4-1. Internal Expansion RAM Size Switching Register Format**

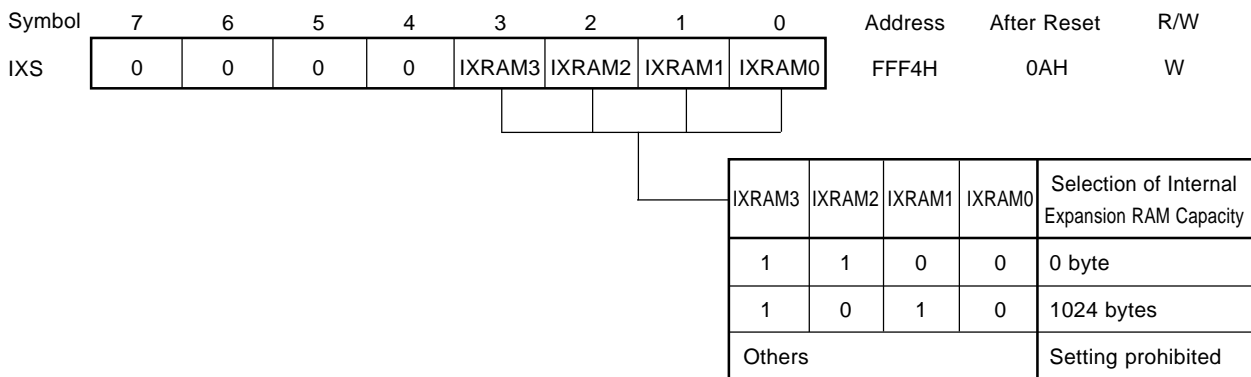


Table 4-1 shows the setting values of IXS which make the memory mapping the same as that of the mask ROM versions.

**Table 4-1. Internal Expansion RAM Size Switching Register Setting Values**

Target Mask ROM Version	IXS Setting Value
μPD78056F	0CH
μPD78058F	0AH

**Remark** Even if a μPD78P058F program that includes "MOV IXS, #0CH" is implemented on the μPD78056F, its operation will not be affected.

## 5. PROM PROGRAMMING

The μPD78P058F has an on-chip 60-Kbyte PROM as a program memory. For programming, set the PROM programming mode by the  $V_{PP}$  and  $\overline{RESET}$  pins. For connecting unused pins, refer to **PIN CONFIGURATIONS (Top View) (2) PROM programming mode**.

**Caution** Program writing should be performed in the address range 0000H to EFFFH (the last address, EFFFH, should be specified). Writing cannot be performed with a PROM programmer that cannot specify the write addresses.

### 5.1 Operating Modes

When +5 V or +12.5 V is applied to the  $V_{PP}$  pin and a low level signal is applied to the  $\overline{RESET}$  pin, the PROM programming mode is set. This mode will become the operating mode as shown in Table 5-1 when the  $\overline{CE}$ ,  $\overline{OE}$  and  $\overline{PGM}$  pins are set as shown.

Further, when the read mode is set, it is possible to read the contents of the PROM.

**Table 5-1. Operating Modes of PROM Programming**

Pin Operating Mode	$\overline{RESET}$	$V_{PP}$	$V_{DD}$	$\overline{CE}$	$\overline{OE}$	$\overline{PGM}$	D0 to D7
Page data latch	L	+12.5 V	+6.5 V	H	L	H	Data input
Page write				H	H	L	High-impedance
Byte write				L	H	L	Data input
Program verify				L	L	H	Data output
Program inhibit				×	H	H	High-impedance
				×	L	L	
Read	L	+5 V	+5 V	L	L	H	Data output
Output disable				L	H	×	High-impedance
Standby				H	×	×	High-impedance

**Remark** × : L or H

**(1) Read mode**

Read mode is set if  $\overline{CE} = L$ ,  $\overline{OE} = L$  are set.

**(2) Output disable mode**

Data output becomes high-impedance, and is in the output disable mode, if  $\overline{OE} = H$  is set.

Therefore, it allows data to be read from any device by controlling the  $\overline{OE}$  pin, if multiple  $\mu$ PD78P058Fs are connected to the data bus.

**(3) Standby mode**

Standby mode is set if  $\overline{CE} = H$  is set.

In this mode, data outputs become high-impedance irrespective of the  $\overline{OE}$  status.

**(4) Page data latch mode**

Page data latch mode is set if  $\overline{CE} = H$ ,  $\overline{PGM} = H$ ,  $\overline{OE} = L$  are set at the beginning of page write mode.

In this mode, 1 page 4-byte data is latched in an internal address/data latch circuit.

**(5) Page write mode**

After 1 page 4 bytes of addresses and data are latched in the page data latch mode, a page write is executed by applying a 0.1-ms program pulse (active low) to the  $\overline{PGM}$  pin with  $\overline{CE} = H$ ,  $\overline{OE} = H$ . Then, program verification can be performed, if  $\overline{CE} = L$ ,  $\overline{OE} = L$  are set.

If programming is not performed by a one-time program pulse, X ( $X \leq 10$ ) write and verification operations should be executed repeatedly.

**(6) Byte write mode**

Byte write is executed when a 0.1-ms program pulse (active low) is applied to the  $\overline{PGM}$  pin with  $\overline{CE} = L$ ,  $\overline{OE} = H$ . Then, program verification can be performed if  $\overline{OE} = L$  is set.

If programming is not performed by a one-time program pulse, X ( $X \leq 10$ ) write and verification operations should be executed repeatedly.

**(7) Program verify mode**

Program verify mode is set if  $\overline{CE} = L$ ,  $\overline{PGM} = H$ ,  $\overline{OE} = L$  are set.

In this mode, check if a write operation is performed correctly after the write.

**(8) Program inhibit mode**

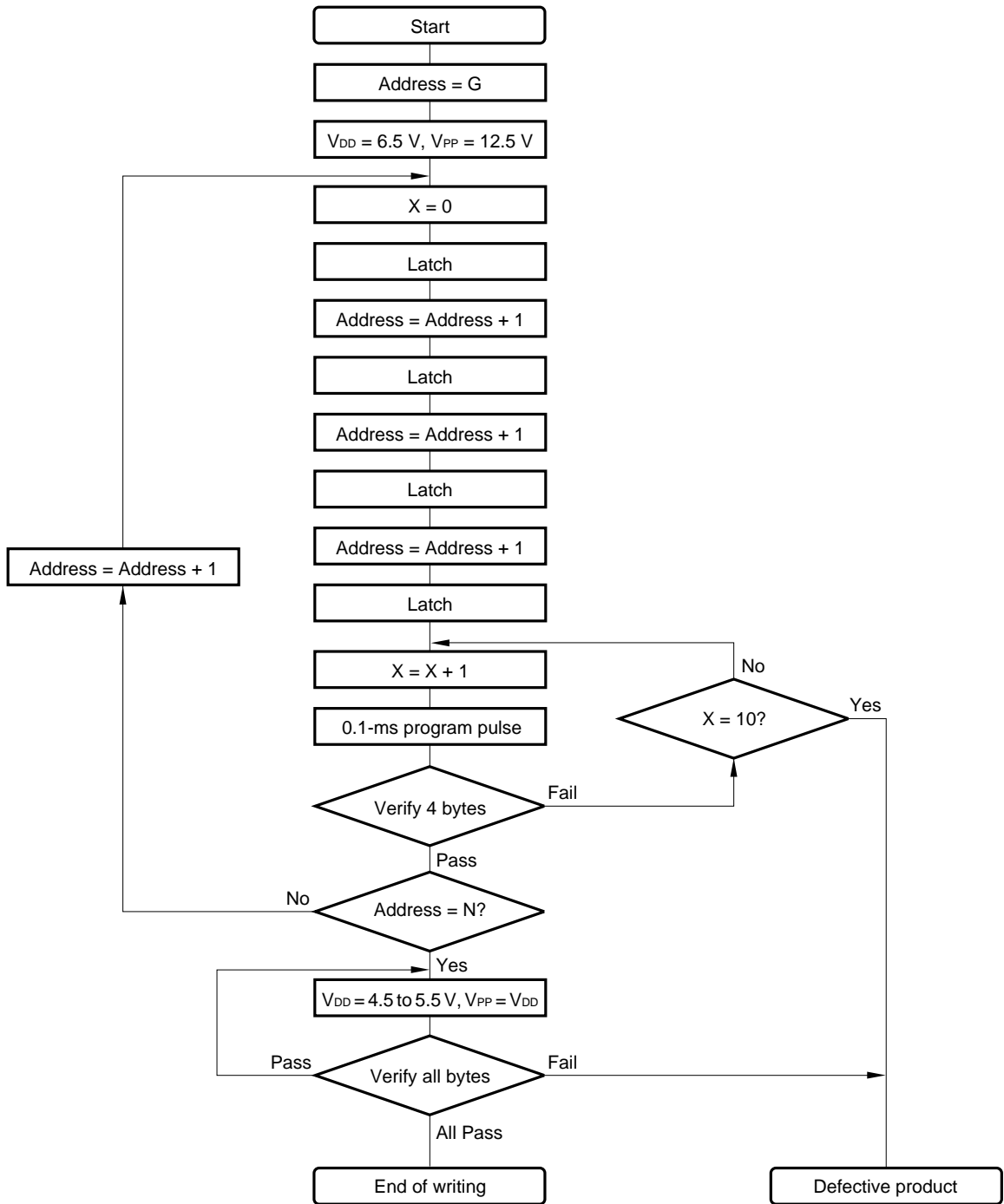
Program inhibit mode is used when the  $\overline{OE}$  pin,  $V_{PP}$  pin, and D0 to D7 pins of multiple  $\mu$ PD78P058Fs are connected in parallel and a write is performed to one of those devices.

When a write operation is performed, the page write mode or byte write mode described above is used. At this time, a write is not performed to a device which has the  $\overline{PGM}$  pin driven high.



5.2 PROM Write Procedure

Figure 5-1. Page Program Mode Flowchart



**Remark** G = Start address  
 N = Program last address

Figure 5-2. Page Program Mode Timing

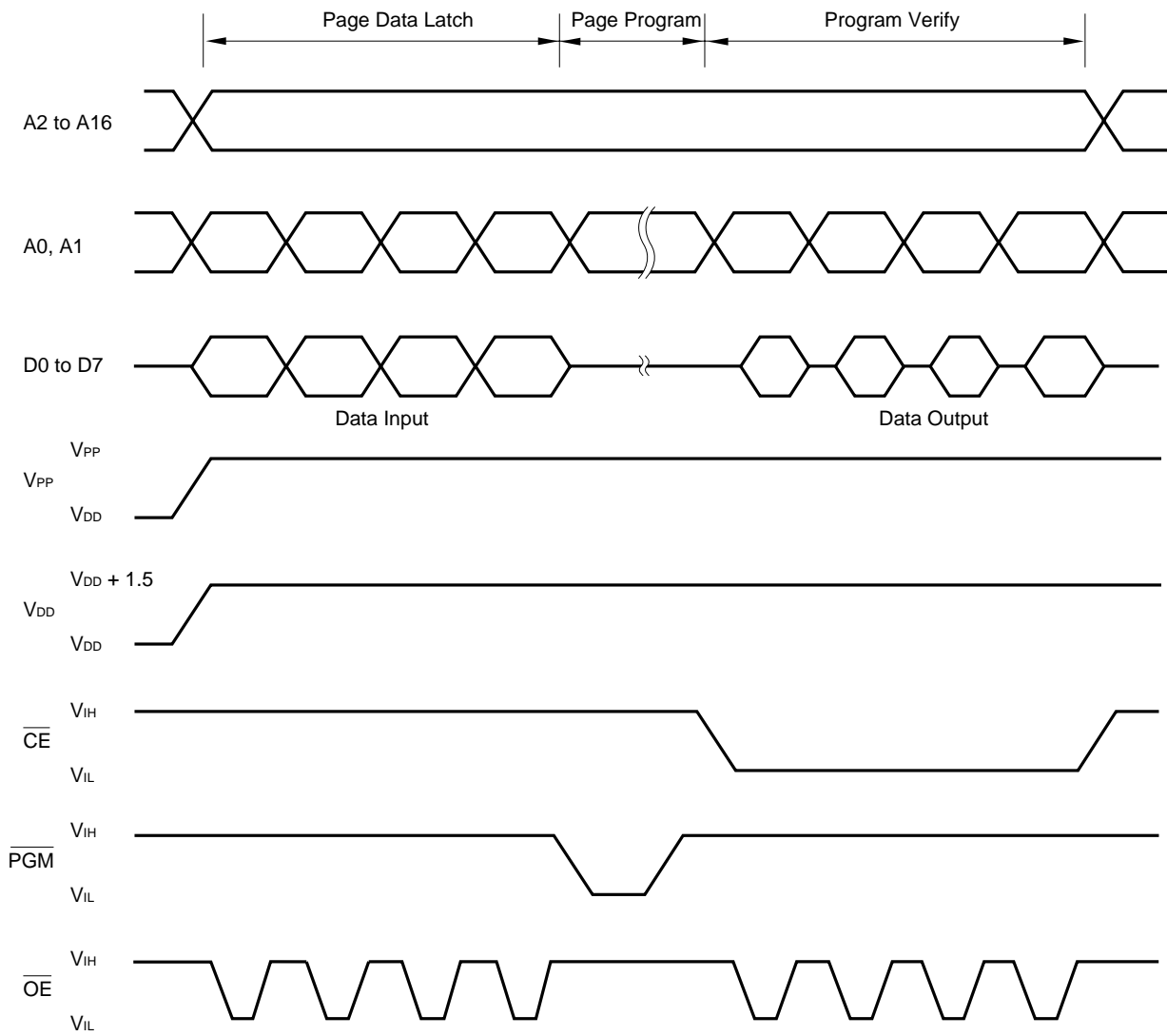
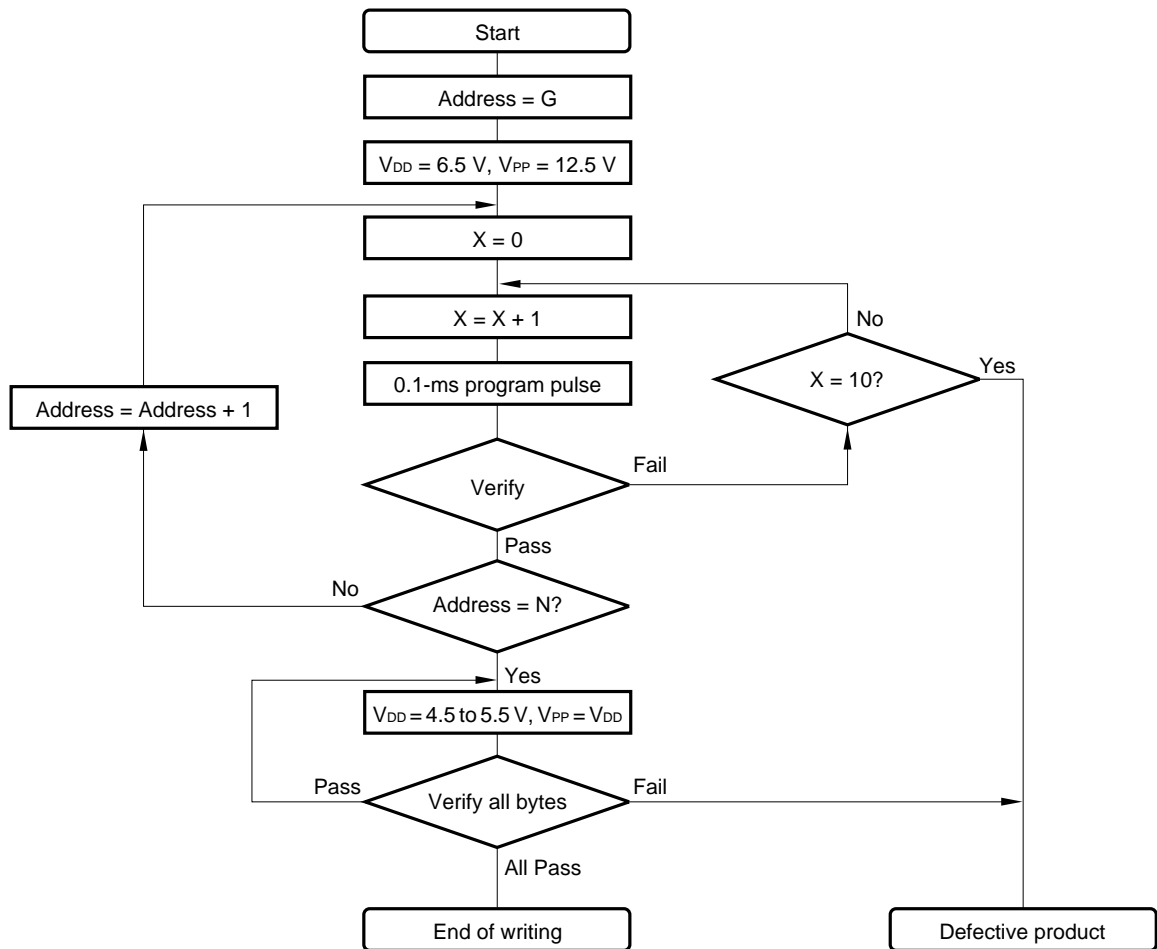
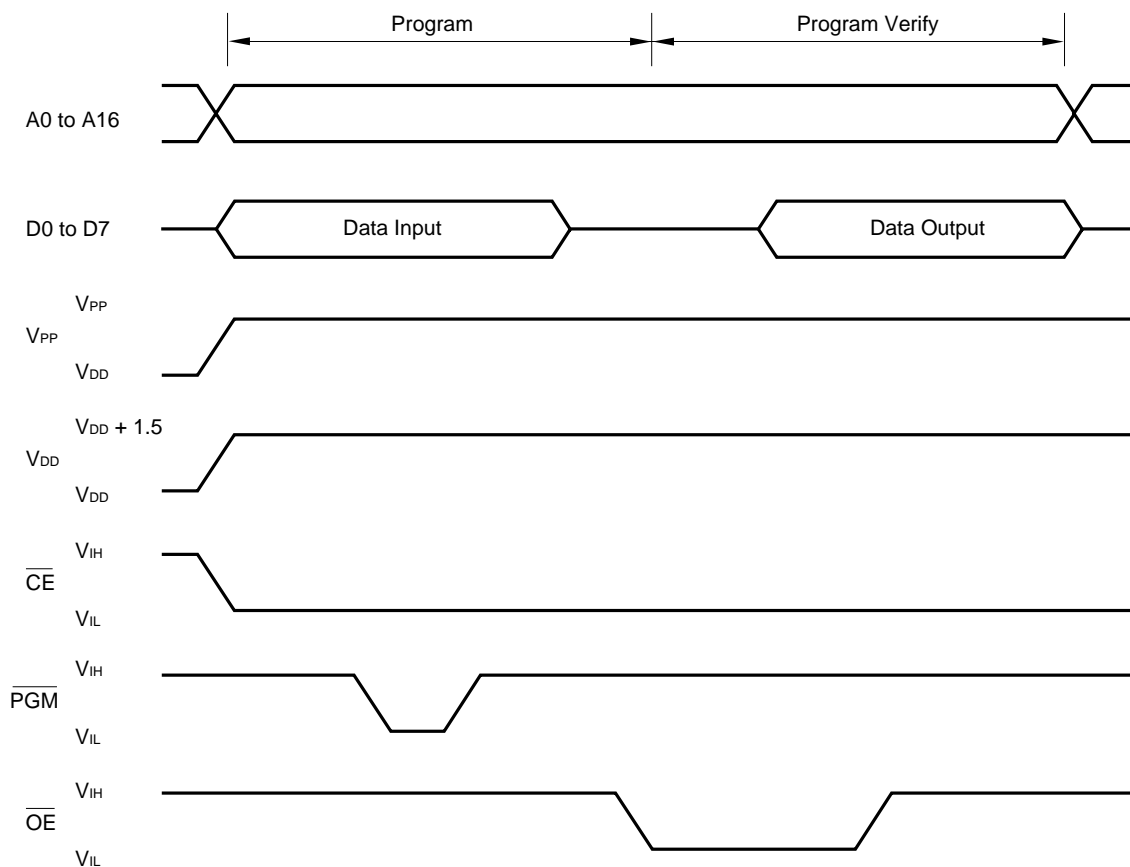


Figure 5-3. Byte Program Mode Flowchart



**Remark** G = Start address  
 N = Program last address

Figure 5-4. Byte Program Mode Timing



- Cautions**
1. V<sub>DD</sub> should be applied before V<sub>PP</sub>, and removed after V<sub>PP</sub>.
  2. V<sub>PP</sub> must not exceed +13.5 V including overshoot.
  3. Reliability may be adversely affected if removal/reinsertion is performed while +12.5 V is being applied to V<sub>PP</sub>.

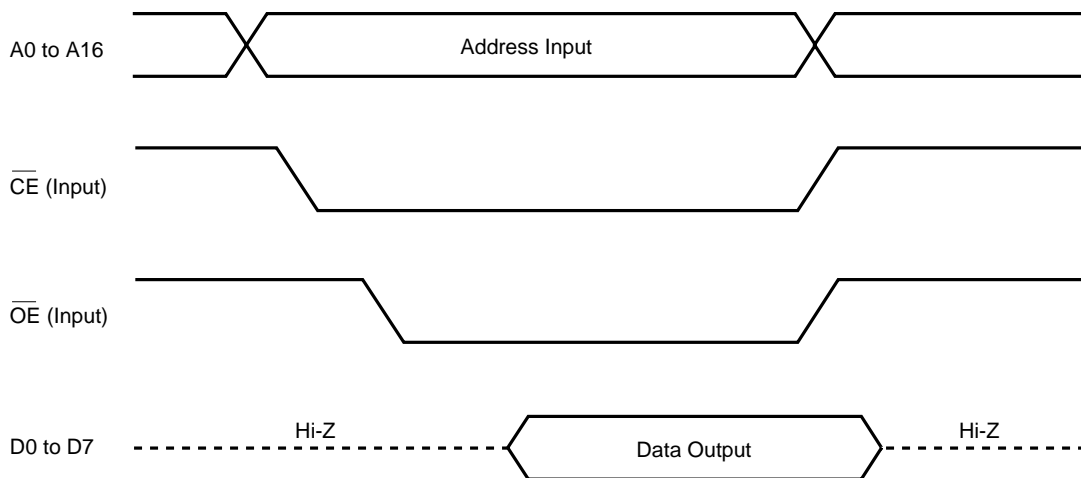
### 5.3 PROM Read Procedure

The contents of PROM are readable to the external data bus (D0 to D7) according to the read procedure shown below.

- (1) Fix the  $\overline{\text{RESET}}$  pin at low level, supply +5 V to the  $V_{PP}$  pin, and connect all other unused pins as shown in **PIN CONFIGURATIONS (Top View) (2) PROM programming mode.**
- (2) Supply +5 V to the  $V_{DD}$  and  $V_{PP}$  pins.
- (3) Input address of read data into the A0 to A16 pins.
- (4) Read mode
- (5) Output data to D0 to D7 pins.

The timings of the above steps (2) to (5) are shown in Figure 5-5.

**Figure 5-5. PROM Read Timings**



## 6. SCREENING OF ONE-TIME PROM VERSIONS

The one-time PROM version ( $\mu$ PD78P058FGC-3B9, 78P058FGC-8BT) cannot be tested completely by NEC before it is shipped, because of its structure. It is recommended to perform screening to verify PROM after writing necessary data and performing high-temperature storage under the conditions below.

Storage Temperature	Storage Time
125°C	24 hours

NEC offers for a fee one-time PROM writing, marking, screening and verify services for products designated as "QTOP Microcontrollers". For details, contact an NEC sales representative.

7. ELECTRICAL SPECIFICATIONS

Absolute Maximum Ratings (T<sub>A</sub> = 25°C)

Parameter	Symbol	Test Conditions		Rating	Unit		
Supply voltage	V <sub>DD</sub>			-0.3 to +7.0	V		
	V <sub>PP</sub>			-0.3 to +13.5	V		
	AV <sub>DD</sub>			-0.3 to V <sub>DD</sub> + 0.3	V		
	AV <sub>REF0</sub>			-0.3 to V <sub>DD</sub> + 0.3	V		
	AV <sub>REF1</sub>			-0.3 to V <sub>DD</sub> + 0.3	V		
	AV <sub>SS</sub>			-0.3 to +0.3	V		
Input voltage	V <sub>I1</sub>	P00 to P07, P10 to P17, P20 to P27, P30 to P37, P40 to P47, P50 to P57, P64 to P67, P70 to P72, P120 to P127, P130, P131, X1, X2, XT2, RESET		-0.3 to V <sub>DD</sub> + 0.3	V		
	V <sub>I2</sub>	P60 to P63	N-ch open-drain	-0.3 to +16	V		
	V <sub>I3</sub>	A9	PROM programming mode	-0.3 to +13.5	V		
Output voltage	V <sub>O</sub>			-0.3 to V <sub>DD</sub> + 0.3	V		
Analog input voltage	V <sub>AN</sub>	P10 to P17	Analog input pins	AV <sub>SS</sub> - 0.3 to AV <sub>REF0</sub> + 0.3	V		
Output current, high	I <sub>OH</sub>	Per pin		-10	mA		
		Total for P01 to P06, P30 to P37, P56, P57, P60 to P67, P120 to P127		-15	mA		
		Total for P10 to P17, P20 to P27, P40 to P47, P50 to P55, P70 to P72, P130, P131		-15	mA		
Output current, low	I <sub>OL</sub> <sup>Note</sup>	Per pin	peak value	30	mA		
			r.m.s. value	15	mA		
		Total for P50 to P55	peak value	100	mA		
			r.m.s. value	70	mA		
		Total for P56, P57, P60 to P63	peak value	100	mA		
			r.m.s. value	70	mA		
		Total for P10 to P17, P20 to P27, P40 to P47, P70 to P72, P130, P131	peak value	50	mA		
			r.m.s. value	20	mA		
		Total for P01 to P06, P30 to P37, P64 to P67, P120 to P127	peak value	50	mA		
			r.m.s. value	20	mA		
		Operating ambient temperature	T <sub>A</sub>			-40 to +85	°C
		Storage temperature	T <sub>stg</sub>			-65 to +150	°C

**Note** r.m.s. values should be calculated as follows: [r.m.s. value] = [peak value] x √Duty

**Caution** Product quality may suffer if the absolute maximum rating is exceeded for even a single parameter, even momentarily. In other words, the absolute maximum ratings are rated values at which the product is on the verge of suffering physical damage, and therefore the product must be used under conditions which ensure that the absolute maximum ratings are not exceeded.

**Remark** Unless specified otherwise, alternate-function pin characteristics are the same as port pin characteristics.

Main System Clock Oscillator Characteristics (T<sub>A</sub> = -40 to +85°C, V<sub>DD</sub> = 2.7 to 6.0 V)

Resonator	Recommended Circuit	Parameter	Test Conditions	MIN.	TYP.	MAX.	Unit
Ceramic resonator		Oscillation frequency (f <sub>x</sub> ) <sup>Note 1</sup>	V <sub>DD</sub> = Oscillation voltage range	1.0		5.0	MHz
		Oscillation stabilization time <sup>Note 2</sup>	After V <sub>DD</sub> has reached MIN. of oscillation voltage range			4	ms
Crystal resonator		Oscillation frequency (f <sub>x</sub> ) <sup>Note 1</sup>		1.0		5.0	MHz
		Oscillation stabilization time <sup>Note 2</sup>	V <sub>DD</sub> = 4.5 to 6.0 V			10	ms
						30	
External clock		X1 input frequency (f <sub>x</sub> ) <sup>Note 1</sup>		1.0		5.0	MHz
		X1 input high-/low-level width (t <sub>xH</sub> /t <sub>xL</sub> )			85		500

- Notes**
1. Only the oscillator characteristics are shown. See the AC characteristics for instruction execution times.
  2. This is the time required for oscillation to stabilize after a reset or STOP mode release.

**Cautions** 1. When the main system clock oscillator is used, the following should be noted concerning wiring in the area in the figure enclosed by broken lines to prevent the influence of wiring capacitance, etc.

- The wiring should be kept as short as possible.
  - No other signal lines should be crossed.
  - Keep away from lines carrying a high fluctuating current.
  - The oscillator capacitor grounding point should always be at the same potential as V<sub>SS</sub>.
  - Do not connect to a ground pattern carrying a high current.
  - A signal should not be taken from the oscillator.
2. When the main system clock is stopped and the device is operating on the subsystem clock, wait until the oscillation stabilization time has been secured by the program before switching back to the main system clock.



**Subsystem Clock Oscillator Characteristics (T<sub>A</sub> = -40 to +85°C, V<sub>DD</sub> = 2.7 to 6.0 V)**

Resonator	Recommended Circuit	Parameter	Test Conditions	MIN.	TYP.	MAX.	Unit
Crystal resonator		Oscillation frequency (f <sub>XT</sub> ) <sup>Note 1</sup>		32	32.768	35	kHz
		Oscillation stabilization time <sup>Note 2</sup>	V <sub>DD</sub> = 4.5 to 6.0 V		1.2	2	s
External clock		XT1 input frequency (f <sub>XT</sub> ) <sup>Note 1</sup>		32		100	kHz
		XT1 input high-/low-level width (t <sub>XTH</sub> /t <sub>XTL</sub> )		5		15	μs

- Notes**
1. Only the oscillator characteristics are shown. See the AC characteristics for instruction execution times.
  2. This is the time required for oscillation to stabilize after power (V<sub>DD</sub>) is turned on.

**Cautions**

1. When the subsystem clock oscillator is used, the following should be noted concerning wiring in the area in the figure enclosed by broken lines to prevent the influence of wiring capacitance, etc.

- The wiring should be kept as short as possible.
- No other signal lines should be crossed.
- Keep away from lines carrying a high fluctuating current.
- The oscillator capacitor grounding point should always be at the same potential as V<sub>SS</sub>.
- Do not connect to a ground pattern carrying a high current.
- A signal should not be taken from the oscillator.

2. The subsystem clock oscillator is a low-amplitude circuit in order to achieve a low consumption current, and is more prone to misoperation due to noise than the main system clock oscillator. Particular care is therefore required with the wiring method when the subsystem clock is used.

**Capacitance (T<sub>A</sub> = 25°C, V<sub>DD</sub> = V<sub>SS</sub> = 0 V)**

Parameter	Symbol	Test Conditions	MIN.	TYP.	MAX.	Unit
Input capacitance	C <sub>IN</sub>	f = 1 MHz, Unmeasured pins returned to 0 V			15	pF
Input/output capacitance	C <sub>IO</sub>	f = 1 MHz Unmeasured pins returned to 0 V			15	pF
		P01 to P06, P10 to P17, P20 to P27, P30 to P37, P40 to P47, P50 to P57, P64 to P67, P70 to P72, P120 to P127, P130, P131				
		P60 to P63			20	pF

**Remark** Unless specified otherwise, alternate-function pin characteristics are the same as port pin characteristics.

DC Characteristics (T<sub>A</sub> = -40 to +85°C, V<sub>DD</sub> = 2.7 to 6.0 V)

Parameter	Symbol	Test Conditions	MIN.	TYP.	MAX.	Unit	
Input voltage, high	V <sub>IH1</sub>	P10 to P17, P21, P23, P30 to P32, P35 to P37, P40 to P47, P50 to P57, P64 to P67, P71, P120 to P127, P130, P131	0.7 V <sub>DD</sub>		V <sub>DD</sub>	V	
	V <sub>IH2</sub>	P00 to P06, P20, P22, P24 to P27, P33, P34, P70, P72, RESET	0.8 V <sub>DD</sub>		V <sub>DD</sub>	V	
	V <sub>IH3</sub>	P60 to P63 (N-ch open-drain)	0.7 V <sub>DD</sub>		15	V	
	V <sub>IH4</sub>	X1, X2	V <sub>DD</sub> - 0.5		V <sub>DD</sub>	V	
	V <sub>IH5</sub>	XT1/P07, XT2	V <sub>DD</sub> = 4.5 to 6.0 V	0.8 V <sub>DD</sub>		V <sub>DD</sub>	V
			0.9 V <sub>DD</sub>		V <sub>DD</sub>	V	
Input voltage, low	V <sub>IL1</sub>	P10 to P17, P21, P23, P30 to P32, P35 to P37, P40 to P47, P50 to P57, P64 to P67, P71, P120 to P127, P130, P131	0		0.3 V <sub>DD</sub>	V	
	V <sub>IL2</sub>	P00 to P06, P20, P22, P24 to P27, P33, P34, P70, P72, RESET	0		0.2 V <sub>DD</sub>	V	
	V <sub>IL3</sub>	P60 to P63	V <sub>DD</sub> = 4.5 to 6.0 V	0		0.3 V <sub>DD</sub>	V
				0		0.2 V <sub>DD</sub>	V
	V <sub>IL4</sub>	X1, X2		0		0.4	V
V <sub>IL5</sub>	XT1/P07, XT2	V <sub>DD</sub> = 4.5 to 6.0 V	0		0.2 V <sub>DD</sub>	V	
			0		0.1 V <sub>DD</sub>	V	
Output voltage, high	V <sub>OH</sub>	V <sub>DD</sub> = 4.5 to 6.0 V, I <sub>OH</sub> = -1 mA	V <sub>DD</sub> - 1.0			V	
		I <sub>OH</sub> = -100 μA	V <sub>DD</sub> - 0.5			V	
Output voltage, low	V <sub>OL1</sub>	P50 to P57, P60 to P63	V <sub>DD</sub> = 4.5 to 6.0 V, I <sub>OL</sub> = 15 mA	0.4	2.0	V	
		P01 to P06, P10 to P17, P20 to P27, P30 to P37, P40 to P47, P64 to P67, P70 to P72, P120 to P127, P130, P131	V <sub>DD</sub> = 4.5 to 6.0 V, I <sub>OL</sub> = 1.6 mA		0.4	V	
	V <sub>OL2</sub>	SB0, SB1, SCK0	V <sub>DD</sub> = 4.5 to 6.0 V, N-ch open-drain at pull-up time (R = 1 kΩ)		0.2 V <sub>DD</sub>	V	
	V <sub>OL3</sub>	I <sub>OL</sub> = 400 μA			0.5	V	
Input leakage current, high	I <sub>LIH1</sub>	V <sub>IN</sub> = V <sub>DD</sub>	P00 to P06, P10 to P17, P20 to P27, P30 to P37, P40 to P47, P50 to P57, P60 to P67, P70 to P72, P120 to P127, P130, P131, RESET		3	μA	
	I <sub>LIH2</sub>	X1, X2, XT1/P07, XT2			20	μA	
	I <sub>LIH3</sub>	V <sub>IN</sub> = 15 V	P60 to P63		80	μA	

**Remark** Unless specified otherwise, alternate-function pin characteristics are the same as port pin characteristics.

DC Characteristics (T<sub>A</sub> = -40 to +85°C, V<sub>DD</sub> = 2.7 to 6.0 V)

Parameter	Symbol	Test Conditions		MIN.	TYP.	MAX.	Unit
Input leakage current, low	I <sub>LIL1</sub>	V <sub>IN</sub> = 0 V	P00 to P06, P10 to P17, P20 to P27, P30 to P37, P40 to P47, P50 to P57, P64 to P67, P70 to P72, P120 to P127, P130, P131, $\overline{\text{RESET}}$			-3	μA
	I <sub>LIL2</sub>		X1, X2, XT1/P07, XT2			-20	μA
	I <sub>LIL3</sub>		P60 to P63			-3 <sup>Note</sup>	μA
Output leakage current, high	I <sub>LOH</sub>	V <sub>OUT</sub> = V <sub>DD</sub>				3	μA
Output leakage current, low	I <sub>LOL</sub>	V <sub>OUT</sub> = 0 V				-3	μA
Software pull-up resistor	R	V <sub>IN</sub> = 0 V, P01 to P06, P10 to P17, P20 to P27, P30 to P37, P40 to P47, P50 to P57, P64 to P67, P70 to P72, P120 to P127, P130, P131	V <sub>DD</sub> = 4.5 to 6.0 V	15	40	90	kΩ
				20		500	kΩ

**Note** In P60 to P63, a -200-μA (MAX.) low-level input leakage current passes only during the 1.5-clock interval (no wait) when the read instruction to port 6 (P6) and port mode register 6 (PM6) is executed. Other than the 1.5-clock interval, -3 μA (MAX.) is passed.

**Remark** Unless specified otherwise, alternate-function pin characteristics are the same as port pin characteristics.

DC Characteristics ( $T_A = -40$  to  $+85^\circ\text{C}$ ,  $V_{DD} = 2.7$  to  $6.0$  V)

Parameter	Symbol	Test Conditions	MIN.	TYP.	MAX.	Unit	
Supply current <sup>Note 1</sup>	I <sub>DD1</sub>	5.0-MHz crystal oscillation operating mode ( $f_{xx} = 2.5$ MHz) <sup>Note 2</sup>	$V_{DD} = 5.0$ V $\pm 10\%$ <sup>Note 5</sup>		5	15	mA
			$V_{DD} = 3.0$ V $\pm 10\%$ <sup>Note 6</sup>		0.7	2.1	mA
		5.0-MHz crystal oscillation operating mode ( $f_{xx} = 5.0$ MHz) <sup>Note 3</sup>	$V_{DD} = 5.0$ V $\pm 10\%$ <sup>Note 5</sup>		9.0	27.0	mA
			$V_{DD} = 3.0$ V $\pm 10\%$ <sup>Note 6</sup>		1.0	3.0	mA
	I <sub>DD2</sub>	5.0-MHz crystal oscillation HALT mode ( $f_{xx} = 2.5$ MHz) <sup>Note 2</sup>	$V_{DD} = 5.0$ V $\pm 10\%$		1.4	4.2	mA
			$V_{DD} = 3.0$ V $\pm 10\%$		0.5	1.5	mA
		5.0-MHz crystal oscillation HALT mode ( $f_{xx} = 5.0$ MHz) <sup>Note 3</sup>	$V_{DD} = 5.0$ V $\pm 10\%$		1.6	4.8	mA
			$V_{DD} = 3.0$ V $\pm 10\%$		0.65	1.95	mA
	I <sub>DD3</sub>	32.768-kHz crystal oscillation operating mode <sup>Note 4</sup>	$V_{DD} = 5.0$ V $\pm 10\%$		135	270	$\mu\text{A}$
			$V_{DD} = 3.0$ V $\pm 10\%$		95	190	$\mu\text{A}$
	I <sub>DD4</sub>	32.768-kHz crystal oscillation HALT mode <sup>Note 4</sup>	$V_{DD} = 5.0$ V $\pm 10\%$		25	55	$\mu\text{A}$
			$V_{DD} = 3.0$ V $\pm 10\%$		5	15	$\mu\text{A}$
I <sub>DD5</sub>	XT1 = $V_{DD}$ STOP mode Feedback resistor used	$V_{DD} = 5.0$ V $\pm 10\%$		1	30	$\mu\text{A}$	
		$V_{DD} = 3.0$ V $\pm 10\%$		0.5	10	$\mu\text{A}$	
I <sub>DD6</sub>	XT1 = $V_{DD}$ STOP mode Feedback resistor not used	$V_{DD} = 5.0$ V $\pm 10\%$		0.1	30	$\mu\text{A}$	
		$V_{DD} = 3.0$ V $\pm 10\%$		0.05	10	$\mu\text{A}$	

- Notes**
1. Passed through the  $V_{DD}$  and  $AV_{DD}$  pins. Does not include the current which is passed through the A/D converter, D/A converter, and on-chip pull-up resistor.
  2.  $f_{xx} = f_x/2$  operation (when the oscillation mode selection register (OSMS) is set to 00H)
  3.  $f_{xx} = f_x$  operation (when OSMS is set to 01H)
  4. When the main system clock is stopped
  5. High-speed mode operation (when the processor clock control register (PCC) is set to 00H)
  6. Low-speed mode operation (when PCC is set to 04H)

- Remarks**
1.  $f_{xx}$  : Main system clock frequency ( $f_x$  or  $f_x/2$ )
  2.  $f_x$  : Main system clock oscillation frequency

AC Characteristics

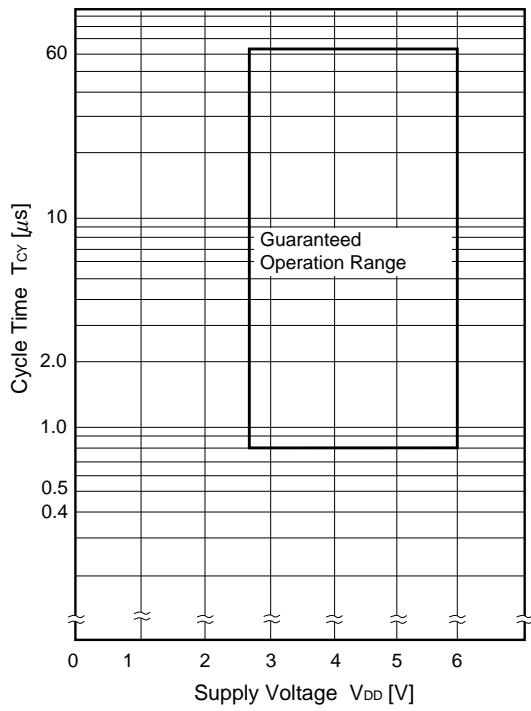
(1) Basic Operation (T<sub>A</sub> = -40 to +85°C, V<sub>DD</sub> = 2.7 to 6.0 V)

Parameter	Symbol	Test Conditions	MIN.	TYP.	MAX.	Unit	
Cycle time (minimum instruction execution time)	T <sub>CY</sub>	Operating on main system clock	f <sub>XX</sub> = f <sub>X</sub> /2 <sup>Note 1</sup>	0.8		64	μs
			f <sub>XX</sub> = f <sub>X</sub> <sup>Note 2</sup> V <sub>DD</sub> = 4.5 to 6.0 V	0.4		32	μs
		Operating on subsystem clock		0.8		32	μs
			40	122	125	μs	
TI00 input high-/low-level width	t <sub>TIH00</sub> ,	V <sub>DD</sub> = 4.5 to 6.0 V		2/f <sub>sam</sub> + 0.1 <sup>Note 3</sup>		μs	
	t <sub>TIL00</sub>			2/f <sub>sam</sub> + 0.2 <sup>Note 3</sup>		μs	
TI01 input high-/low-level width	t <sub>TIH01</sub> ,			10		μs	
	t <sub>TIL01</sub>						
TI1, TI2 input frequency	f <sub>TI1</sub>	V <sub>DD</sub> = 4.5 to 6.0 V	0		4	MHz	
			0		275	kHz	
TI1, TI2 input high-/low-level width	t <sub>TIH1</sub> ,	V <sub>DD</sub> = 4.5 to 6.0 V		100		ns	
	t <sub>TIL1</sub>			1.8		μs	
Interrupt input high-/low-level width	t <sub>INTH</sub> ,	INTP0	V <sub>DD</sub> = 4.5 to 6.0 V	2/f <sub>sam</sub> + 0.1 <sup>Note 3</sup>		μs	
				2/f <sub>sam</sub> + 0.2 <sup>Note 3</sup>		μs	
	t <sub>INTL</sub>	INTP1 to INTP6, KR0 to KR7		10		μs	
RESET low-level width	t <sub>RSL</sub>		10			μs	

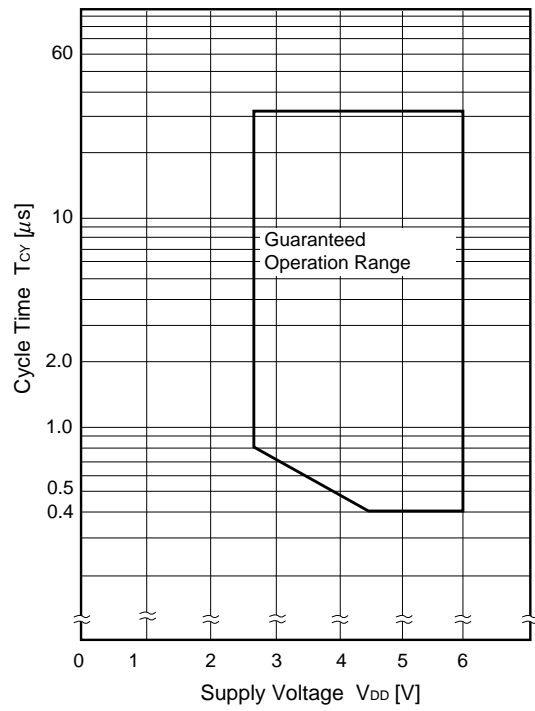
- Notes**
1. When oscillation mode selection register (OSMS) is set to 00H.
  2. When OSMS is set to 01H.
  3. f<sub>sam</sub> can be selected as f<sub>XX</sub>/2<sup>N</sup>, f<sub>XX</sub>/32, f<sub>XX</sub>/64, or f<sub>XX</sub>/128 (N = 0 to 4) by bits 0 and 1 (SCS0 and SCS1) of the sampling clock selection register (SCS).

- Remarks**
1. f<sub>XX</sub> : Main system clock frequency (f<sub>X</sub> or f<sub>X</sub>/2)
  2. f<sub>X</sub> : Main system clock oscillation frequency

**T<sub>CY</sub> vs V<sub>DD</sub> (Main System Clock, f<sub>XX</sub> = f<sub>X</sub>/2)**



**T<sub>CY</sub> vs V<sub>DD</sub> (Main System Clock, f<sub>XX</sub> = f<sub>X</sub>)**



(2) Read/Write Operations

(a) When MCS = 1, PCC2 to PCC0 = 000B (T<sub>A</sub> = -40 to +85°C, V<sub>DD</sub> = 4.5 to 6.0 V)

Parameter	Symbol	Test Conditions	MIN.	MAX.	Unit
ASTB high-level width	t <sub>ASTH</sub>		0.85t <sub>cy</sub> - 50		ns
Address setup time	t <sub>ADS</sub>		0.85t <sub>cy</sub> - 50		ns
Address hold time	t <sub>ADH</sub>		50		ns
Data input time from address	t <sub>ADD1</sub>			(2.85 + 2n)t <sub>cy</sub> - 80	ns
	t <sub>ADD2</sub>			(4 + 2n)t <sub>cy</sub> - 100	ns
Data input time from $\overline{RD}\downarrow$	t <sub>RDD1</sub>			(2 + 2n)t <sub>cy</sub> - 100	ns
	t <sub>RDD2</sub>			(2.85 + 2n)t <sub>cy</sub> - 100	ns
Read data hold time	t <sub>RDH</sub>		0		ns
$\overline{RD}$ low-level width	t <sub>RDL1</sub>		(2 + 2n)t <sub>cy</sub> - 60		ns
	t <sub>RDL2</sub>		(2.85 + 2n)t <sub>cy</sub> - 60		ns
$\overline{WAIT}\downarrow$ input time from $\overline{RD}\downarrow$	t <sub>RDWT1</sub>			0.85t <sub>cy</sub> - 50	ns
	t <sub>RDWT2</sub>			2t <sub>cy</sub> - 60	ns
$\overline{WAIT}\downarrow$ input time from $\overline{WR}\downarrow$	t <sub>WRWT</sub>			2t <sub>cy</sub> - 60	ns
$\overline{WAIT}$ low-level width	t <sub>WTL</sub>		(1.15 + 2n)t <sub>cy</sub>	(2 + 2n)t <sub>cy</sub>	ns
Write data setup time	t <sub>WDS</sub>		(2.85 + 2n)t <sub>cy</sub> - 100		ns
Write data hold time	t <sub>WDH</sub>		20		ns
$\overline{WR}$ low-level width	t <sub>WRL1</sub>		(2.85 + 2n)t <sub>cy</sub> - 60		ns
$\overline{RD}\downarrow$ delay time from ASTB $\downarrow$	t <sub>ASTRD</sub>		25		ns
$\overline{WR}\downarrow$ delay time from ASTB $\downarrow$	t <sub>ASTWR</sub>		0.85t <sub>cy</sub> + 20		ns
ASTB $\uparrow$ delay time from $\overline{RD}\uparrow$ in external fetch	t <sub>RDAST</sub>		0.85t <sub>cy</sub> - 10	1.15t <sub>cy</sub> + 20	ns
Address hold time from $\overline{RD}\uparrow$ in external fetch	t <sub>RDADH</sub>		0.85t <sub>cy</sub> - 50	1.15t <sub>cy</sub> + 50	ns
Write data output time from $\overline{RD}\uparrow$	t <sub>RDWD</sub>		40		ns
Write data output time from $\overline{WR}\downarrow$	t <sub>WRWD</sub>		0	50	ns
Address hold time from $\overline{WR}\uparrow$	t <sub>WRADH</sub>		0.85t <sub>cy</sub>	1.15t <sub>cy</sub> + 40	ns
$\overline{RD}\uparrow$ delay time from $\overline{WAIT}\uparrow$	t <sub>WTRD</sub>		1.15t <sub>cy</sub> + 40	3.15t <sub>cy</sub> + 40	ns
$\overline{WR}\uparrow$ delay time from $\overline{WAIT}\uparrow$	t <sub>WTWR</sub>		1.15t <sub>cy</sub> + 30	3.15t <sub>cy</sub> + 30	ns

- Remarks**
1. MCS: Bit 0 of the oscillation mode selection register (OSMS)
  2. PCC2 to PCC0: Bit 2 to bit 0 of the processor clock control register (PCC)
  3. t<sub>cy</sub> = T<sub>cy</sub>/4
  4. n indicates the number of waits.



(b) Except when MCS = 1, PCC2 to PCC0 = 000B (T<sub>A</sub> = -40 to +85°C, V<sub>BD</sub> = 2.7 to 6.0 V)

Parameter	Symbol	Test Conditions	MIN.	MAX.	Unit
ASTB high-level width	t <sub>ASTH</sub>		t <sub>cY</sub> - 80		ns
Address setup time	t <sub>ADS</sub>		t <sub>cY</sub> - 80		ns
Address hold time	t <sub>ADH</sub>		0.4t <sub>cY</sub> - 10		ns
Data input time from address	t <sub>ADD1</sub>			(3 + 2n)t <sub>cY</sub> - 160	ns
	t <sub>ADD2</sub>			(4 + 2n)t <sub>cY</sub> - 200	ns
Data input time from $\overline{RD}\downarrow$	t <sub>RDD1</sub>			(1.4 + 2n)t <sub>cY</sub> - 70	ns
	t <sub>RDD2</sub>			(2.4 + 2n)t <sub>cY</sub> - 70	ns
Read data hold time	t <sub>RDH</sub>		0		ns
$\overline{RD}$ low-level width	t <sub>RDL1</sub>		(1.4 + 2n)t <sub>cY</sub> - 20		ns
	t <sub>RDL2</sub>		(2.4 + 2n)t <sub>cY</sub> - 20		ns
$\overline{WAIT}\downarrow$ input time from $\overline{RD}\downarrow$	t <sub>RDWT1</sub>			t <sub>cY</sub> - 100	ns
	t <sub>RDWT2</sub>			2t <sub>cY</sub> - 100	ns
$\overline{WAIT}\downarrow$ input time from $\overline{WR}\downarrow$	t <sub>WRWT</sub>			2t <sub>cY</sub> - 100	ns
$\overline{WAIT}$ low-level width	t <sub>WTL</sub>		(1 + 2n)t <sub>cY</sub>	(2 + 2n)t <sub>cY</sub>	ns
Write data setup time	t <sub>WDS</sub>		(2.4 + 2n)t <sub>cY</sub> - 60		ns
Write data hold time	t <sub>WDH</sub>		20		ns
$\overline{WR}$ low-level width	t <sub>WRL1</sub>		(2.4 + 2n)t <sub>cY</sub> - 20		ns
$\overline{RD}\downarrow$ delay time from ASTB $\downarrow$	t <sub>ASTRD</sub>		0.4t <sub>cY</sub> - 30		ns
$\overline{WR}\downarrow$ delay time from ASTB $\downarrow$	t <sub>ASTWR</sub>		1.4t <sub>cY</sub> - 30		ns
ASTB $\uparrow$ delay time from $\overline{RD}\uparrow$ in external fetch	t <sub>RDAST</sub>		t <sub>cY</sub> - 10	t <sub>cY</sub> + 20	ns
Address hold time from $\overline{RD}\uparrow$ in external fetch	t <sub>RDADH</sub>		t <sub>cY</sub> - 50	t <sub>cY</sub> + 50	ns
Write data output time from $\overline{RD}\uparrow$	t <sub>RDWD</sub>		0.4t <sub>cY</sub> - 20		ns
Write data output time from $\overline{WR}\downarrow$	t <sub>WRWD</sub>		0	60	ns
Address hold time from $\overline{WR}\uparrow$	t <sub>WRADH</sub>		t <sub>cY</sub>	t <sub>cY</sub> + 60	ns
$\overline{RD}\uparrow$ delay time from $\overline{WAIT}\uparrow$	t <sub>WTRD</sub>		0.6t <sub>cY</sub> + 180	2.6t <sub>cY</sub> + 180	ns
$\overline{WR}\uparrow$ delay time from $\overline{WAIT}\uparrow$	t <sub>WTWR</sub>		0.6t <sub>cY</sub> + 120	2.6t <sub>cY</sub> + 120	ns

- Remarks**
1. MCS: Bit 0 of the oscillation mode selection register (OSMS)
  2. PCC2 to PCC0: Bit 2 to bit 0 of the processor clock control register (PCC)
  3. t<sub>cY</sub> = T<sub>cY</sub>/4
  4. n indicates the number of waits.

(3) Serial Interface (T<sub>A</sub> = -40 to +85°C, V<sub>DD</sub> = 2.7 to 6.0 V)

(a) Serial interface channel 0

(i) 3-wire serial I/O mode ( $\overline{\text{SCK0}}$  ... internal clock output)

Parameter	Symbol	Test Conditions	MIN.	TYP.	MAX.	Unit
$\overline{\text{SCK0}}$ cycle time	t <sub>KCY1</sub>	V <sub>DD</sub> = 4.5 to 6.0 V	800			ns
			1600			ns
$\overline{\text{SCK0}}$ high-/low-level width	t <sub>KH1</sub> ,	V <sub>DD</sub> = 4.5 to 6.0 V	t <sub>KCY1</sub> /2 - 50			ns
	t <sub>KL1</sub>		t <sub>KCY1</sub> /2 - 100			ns
SI0 setup time (to $\overline{\text{SCK0}}\uparrow$ )	t <sub>SIK1</sub>	V <sub>DD</sub> = 4.5 to 6.0 V	100			ns
			150			ns
SI0 hold time (from $\overline{\text{SCK0}}\uparrow$ )	t <sub>KS11</sub>		400			ns
SO0 output delay time from $\overline{\text{SCK0}}\downarrow$	t <sub>KSO1</sub>	C = 100 pF <sup>Note</sup>			300	ns

**Note** C is the  $\overline{\text{SCK0}}$  and SO0 output line load capacitance.

(ii) 3-wire serial I/O mode ( $\overline{\text{SCK0}}$  ... external clock input)

Parameter	Symbol	Test Conditions	MIN.	TYP.	MAX.	Unit
$\overline{\text{SCK0}}$ cycle time	t <sub>KCY2</sub>	V <sub>DD</sub> = 4.5 to 6.0 V	800			ns
			1600			ns
$\overline{\text{SCK0}}$ high-/low-level width	t <sub>KH2</sub> ,	V <sub>DD</sub> = 4.5 to 6.0 V	400			ns
	t <sub>KL2</sub>		800			ns
SI0 setup time (to $\overline{\text{SCK0}}\uparrow$ )	t <sub>SIK2</sub>		100			ns
SI0 hold time (from $\overline{\text{SCK0}}\uparrow$ )	t <sub>KS12</sub>		400			ns
SO0 output delay time from $\overline{\text{SCK0}}\downarrow$	t <sub>KSO2</sub>	C = 100 pF <sup>Note</sup>			300	ns
$\overline{\text{SCK0}}$ rise, fall time	t <sub>R2</sub> , t <sub>F2</sub>	When using external device expansion function			160	ns
		When not using external device expansion function			1000	ns

**Note** C is the SO0 output line load capacitance.

(iii) SBI mode ( $\overline{\text{SCK0}}$  ... internal clock output)

Parameter	Symbol	Test Conditions	MIN.	TYP.	MAX.	Unit
$\overline{\text{SCK0}}$ cycle time	$t_{\text{KCY3}}$	$V_{\text{DD}} = 4.5 \text{ to } 6.0 \text{ V}$	800			ns
			3200			ns
$\overline{\text{SCK0}}$ high-/low-level width	$t_{\text{KH3}},$ $t_{\text{KL3}}$	$V_{\text{DD}} = 4.5 \text{ to } 6.0 \text{ V}$	$t_{\text{KCY3}}/2 - 50$			ns
			$t_{\text{KCY3}}/2 - 150$			ns
SB0, SB1 setup time (to $\overline{\text{SCK0}}\uparrow$ )	$t_{\text{SIK3}}$	$V_{\text{DD}} = 4.5 \text{ to } 6.0 \text{ V}$	100			ns
			300			ns
SB0, SB1 hold time (from $\overline{\text{SCK0}}\uparrow$ )	$t_{\text{KSI3}}$		$t_{\text{KCY3}}/2$			ns
SB0, SB1 output delay time from $\overline{\text{SCK0}}\downarrow$	$t_{\text{KSO3}}$	R = 1 kΩ, C = 100 pF <sup>Note</sup>	$V_{\text{DD}} = 4.5 \text{ to } 6.0 \text{ V}$		250	ns
					0	1000
SB0, SB1↓ from $\overline{\text{SCK0}}\uparrow$	$t_{\text{KSB}}$		$t_{\text{KCY3}}$			ns
$\overline{\text{SCK0}}\downarrow$ from SB0, SB1↓	$t_{\text{SBK}}$		$t_{\text{KCY3}}$			ns
SB0, SB1 high-level width	$t_{\text{SBH}}$		$t_{\text{KCY3}}$			ns
SB0, SB1 low-level width	$t_{\text{SBL}}$		$t_{\text{KCY3}}$			ns

**Note** R and C are the  $\overline{\text{SCK0}}$ , SB0, and SB1 output line load resistance and load capacitance.

(iv) SBI mode ( $\overline{\text{SCK0}}$  ... external clock input)

Parameter	Symbol	Test Conditions	MIN.	TYP.	MAX.	Unit
$\overline{\text{SCK0}}$ cycle time	$t_{\text{KCY4}}$	$V_{\text{DD}} = 4.5 \text{ to } 6.0 \text{ V}$	800			ns
			3200			ns
$\overline{\text{SCK0}}$ high-/low-level width	$t_{\text{KH4}},$ $t_{\text{KL4}}$	$V_{\text{DD}} = 4.5 \text{ to } 6.0 \text{ V}$	400			ns
			1600			ns
SB0, SB1 setup time (to $\overline{\text{SCK0}}\uparrow$ )	$t_{\text{SIK4}}$	$V_{\text{DD}} = 4.5 \text{ to } 6.0 \text{ V}$	100			ns
			300			ns
SB0, SB1 hold time (from $\overline{\text{SCK0}}\uparrow$ )	$t_{\text{KSI4}}$		$t_{\text{KCY4}}/2$			ns
SB0, SB1 output delay time from $\overline{\text{SCK0}}\downarrow$	$t_{\text{KSO4}}$	R = 1 kΩ, C = 100 pF <sup>Note</sup>	$V_{\text{DD}} = 4.5 \text{ to } 6.0 \text{ V}$		300	ns
					0	1000
SB0, SB1↓ from $\overline{\text{SCK0}}\uparrow$	$t_{\text{KSB}}$		$t_{\text{KCY4}}$			ns
$\overline{\text{SCK0}}\downarrow$ from SB0, SB1↓	$t_{\text{SBK}}$		$t_{\text{KCY4}}$			ns
SB0, SB1 high-level width	$t_{\text{SBH}}$		$t_{\text{KCY4}}$			ns
SB0, SB1 low-level width	$t_{\text{SBL}}$		$t_{\text{KCY4}}$			ns
$\overline{\text{SCK0}}$ rise, fall time	$t_{\text{r4}},$ $t_{\text{f4}}$	When using external device expansion function			160	ns
		When not using external device expansion function			1000	ns

**Note** R and C are the SB0 and SB1 output line load resistance and load capacitance.

(v) 2-wire serial I/O mode ( $\overline{\text{SCK0}}$  ... internal clock output)

Parameter	Symbol	Test Conditions	MIN.	TYP.	MAX.	Unit	
$\overline{\text{SCK0}}$ cycle time	$t_{\text{KCY5}}$	$R = 1 \text{ k}\Omega,$ $C = 100 \text{ pF}^{\text{Note}}$	1600			ns	
$\overline{\text{SCK0}}$ high-level width	$t_{\text{KH5}}$		$t_{\text{KCY5}}/2 - 160$			ns	
$\overline{\text{SCK0}}$ low-level width	$t_{\text{KL5}}$		$V_{\text{DD}} = 4.5 \text{ to } 6.0 \text{ V}$	$t_{\text{KCY5}}/2 - 50$			ns
				$t_{\text{KCY5}}/2 - 100$			ns
SB0, SB1 setup time (to $\overline{\text{SCK0}}\uparrow$ )	$t_{\text{SIK5}}$		$V_{\text{DD}} = 4.5 \text{ to } 6.0 \text{ V}$	300			ns
				350			ns
SB0, SB1 hold time (from $\overline{\text{SCK0}}\uparrow$ )	$t_{\text{KSI5}}$			600			ns
SB0, SB1 output delay time from $\overline{\text{SCK0}}\downarrow$	$t_{\text{KSO5}}$		0		300	ns	

**Note** R and C are the  $\overline{\text{SCK0}}$ , SB0, and SB1 output line load resistance and load capacitance.

(vi) 2-wire serial I/O mode ( $\overline{\text{SCK0}}$  ... external clock input)

Parameter	Symbol	Test Conditions	MIN.	TYP.	MAX.	Unit
$\overline{\text{SCK0}}$ cycle time	$t_{\text{KCY6}}$		1600			ns
$\overline{\text{SCK0}}$ high-level width	$t_{\text{KH6}}$		650			ns
$\overline{\text{SCK0}}$ low-level width	$t_{\text{KL6}}$		800			ns
SB0, SB1 setup time (to $\overline{\text{SCK0}}\uparrow$ )	$t_{\text{SIK6}}$		100			ns
SB0, SB1 hold time (from $\overline{\text{SCK0}}\uparrow$ )	$t_{\text{KSI6}}$		$t_{\text{KCY6}}/2$			ns
SB0, SB1 output delay time from $\overline{\text{SCK0}}\downarrow$	$t_{\text{KSO6}}$	$R = 1 \text{ k}\Omega,$ $C = 100 \text{ pF}^{\text{Note}}$	$V_{\text{DD}} = 4.5 \text{ to } 6.0 \text{ V}$	0	300	ns
				0	500	ns
$\overline{\text{SCK0}}$ rise, fall time	$t_{\text{R6}},$ $t_{\text{F6}}$	When using external device expansion function			160	ns
		When not using external device expansion function			1000	ns

**Note** R and C are the SB0 and SB1 output line load resistance and load capacitance.

**(b) Serial interface channel 1**

**(i) 3-wire serial I/O mode ( $\overline{\text{SCK1}}$  ... internal clock output)**

Parameter	Symbol	Test Conditions	MIN.	TYP.	MAX.	Unit
$\overline{\text{SCK1}}$ cycle time	$t_{\text{KCY7}}$	$V_{\text{DD}} = 4.5 \text{ to } 6.0 \text{ V}$	800			ns
			1600			ns
$\overline{\text{SCK1}}$ high-/low-level width	$t_{\text{KH7}},$ $t_{\text{KL7}}$	$V_{\text{DD}} = 4.5 \text{ to } 6.0 \text{ V}$	$t_{\text{KCY7}}/2 - 50$			ns
			$t_{\text{KCY7}}/2 - 100$			ns
SI1 setup time (to $\overline{\text{SCK1}}\uparrow$ )	$t_{\text{SIK7}}$	$V_{\text{DD}} = 4.5 \text{ to } 6.0 \text{ V}$	100			ns
			150			ns
SI1 hold time (from $\overline{\text{SCK1}}\uparrow$ )	$t_{\text{KS17}}$		400			ns
SO1 output delay time from $\overline{\text{SCK1}}\downarrow$	$t_{\text{KS07}}$	$C = 100 \text{ pF}^{\text{Note}}$			300	ns

**Note** C is the  $\overline{\text{SCK1}}$  and SO1 output line load capacitance.

**(ii) 3-wire serial I/O mode ( $\overline{\text{SCK1}}$  ... external clock input)**

Parameter	Symbol	Test Conditions	MIN.	TYP.	MAX.	Unit
$\overline{\text{SCK1}}$ cycle time	$t_{\text{KCY8}}$	$V_{\text{DD}} = 4.5 \text{ to } 6.0 \text{ V}$	800			ns
			1600			ns
$\overline{\text{SCK1}}$ high-/low-level width	$t_{\text{KH8}},$ $t_{\text{KL8}}$	$V_{\text{DD}} = 4.5 \text{ to } 6.0 \text{ V}$	400			ns
			800			ns
SI1 setup time (to $\overline{\text{SCK1}}\uparrow$ )	$t_{\text{SIK8}}$		100			ns
SI1 hold time (from $\overline{\text{SCK1}}\uparrow$ )	$t_{\text{KS18}}$		400			ns
SO1 output delay time from $\overline{\text{SCK1}}\downarrow$	$t_{\text{KS08}}$	$C = 100 \text{ pF}^{\text{Note}}$			300	ns
$\overline{\text{SCK1}}$ rise, fall time	$t_{\text{r8}},$ $t_{\text{f8}}$	When using external device expansion function			160	ns
		When not using external device expansion function			1000	ns

**Note** C is the SO1 output line load capacitance.

(iii) Automatic transmission/reception function 3-wire serial I/O mode ( $\overline{\text{SCK1}}$  ... internal clock output)

Parameter	Symbol	Test Conditions	MIN.	TYP.	MAX.	Unit
$\overline{\text{SCK1}}$ cycle time	$t_{\text{KCY9}}$	$V_{\text{DD}} = 4.5 \text{ to } 6.0 \text{ V}$	800			ns
			1600			ns
$\overline{\text{SCK1}}$ high-/low-level width	$t_{\text{KH9}},$ $t_{\text{KL9}}$	$V_{\text{DD}} = 4.5 \text{ to } 6.0 \text{ V}$	$t_{\text{KCY9}}/2 - 50$			ns
			$t_{\text{KCY9}}/2 - 100$			ns
SI1 setup time (to $\overline{\text{SCK1}}\uparrow$ )	$t_{\text{SIK9}}$	$V_{\text{DD}} = 4.5 \text{ to } 6.0 \text{ V}$	100			ns
			150			ns
SI1 hold time (from $\overline{\text{SCK1}}\uparrow$ )	$t_{\text{KS9}}$		400			ns
SO1 output delay time from $\overline{\text{SCK1}}\downarrow$	$t_{\text{KSO9}}$	$C = 100 \text{ pF}^{\text{Note}}$			300	ns
STB $\uparrow$ from $\overline{\text{SCK1}}\uparrow$	$t_{\text{SBD}}$		$t_{\text{KCY9}}/2 - 100$		$t_{\text{KCY9}}/2 + 100$	ns
Strobe signal high-level width	$t_{\text{SBW}}$		$t_{\text{KCY9}} - 30$		$t_{\text{KCY9}} + 30$	ns
Busy signal setup time (to busy signal detection timing)	$t_{\text{BYS}}$		100			ns
Busy signal hold time (from busy signal detection timing)	$t_{\text{BYH}}$	$V_{\text{DD}} = 4.5 \text{ to } 6.0 \text{ V}$	100			ns
			150			ns
$\overline{\text{SCK1}}\downarrow$ from busy inactive	$t_{\text{SPS}}$				$2t_{\text{KCY9}}$	ns

**Note** C is the  $\overline{\text{SCK1}}$  and SO1 output line load capacitance.

(iv) Automatic transmission/reception function 3-wire serial I/O mode ( $\overline{\text{SCK1}}$  ... external clock input)

Parameter	Symbol	Test Conditions	MIN.	TYP.	MAX.	Unit
$\overline{\text{SCK1}}$ cycle time	$t_{\text{KCY10}}$	$V_{\text{DD}} = 4.5 \text{ to } 6.0 \text{ V}$	800			ns
			1600			ns
$\overline{\text{SCK1}}$ high-/low-level width	$t_{\text{KH10}},$ $t_{\text{KL10}}$	$V_{\text{DD}} = 4.5 \text{ to } 6.0 \text{ V}$	400			ns
			800			ns
SI1 setup time (to $\overline{\text{SCK1}}\uparrow$ )	$t_{\text{SIK10}}$		100			ns
SI1 hold time (from $\overline{\text{SCK1}}\uparrow$ )	$t_{\text{KS10}}$		400			ns
SO1 output delay time from $\overline{\text{SCK1}}\downarrow$	$t_{\text{KSO10}}$	$C = 100 \text{ pF}^{\text{Note}}$			300	ns
$\overline{\text{SCK1}}$ rise, fall time	$t_{\text{R10}},$ $t_{\text{F10}}$	When using external device expansion function			160	ns
		When not using external device expansion function			1000	ns

**Note** C is the SO1 output line load capacitance.

(c) Serial interface channel 2

(i) 3-wire serial I/O mode ( $\overline{\text{SCK2}}$  ... internal clock output)

Parameter	Symbol	Test Conditions	MIN.	TYP.	MAX.	Unit
$\overline{\text{SCK2}}$ cycle time	$t_{\text{KCY11}}$	$V_{\text{DD}} = 4.5 \text{ to } 6.0 \text{ V}$	800			ns
			1600			ns
$\overline{\text{SCK2}}$ high-/low-level width	$t_{\text{KH11}}$ ,	$V_{\text{DD}} = 4.5 \text{ to } 6.0 \text{ V}$	$t_{\text{KCY11}}/2 - 50$			ns
	$t_{\text{KL11}}$		$t_{\text{KCY11}}/2 - 100$			ns
SI2 setup time (to $\overline{\text{SCK2}}\uparrow$ )	$t_{\text{SIK11}}$	$V_{\text{DD}} = 4.5 \text{ to } 6.0 \text{ V}$	100			ns
			150			ns
SI2 hold time (from $\overline{\text{SCK2}}\uparrow$ )	$t_{\text{KS11}}$		400			ns
SO2 output delay time from $\overline{\text{SCK2}}\downarrow$	$t_{\text{KSO11}}$	$C = 100 \text{ pF}^{\text{Note}}$			300	ns

**Note** C is the  $\overline{\text{SCK2}}$  and SO2 output line load capacitance.

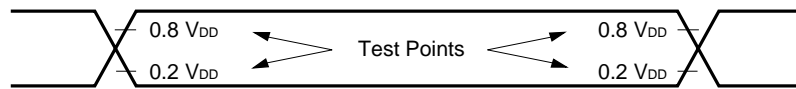
(ii) UART mode (Dedicated baud rate generator output)

Parameter	Symbol	Test Conditions	MIN.	TYP.	MAX.	Unit
Transfer rate		$V_{\text{DD}} = 4.5 \text{ to } 6.0 \text{ V}$			78125	bps
					39063	bps

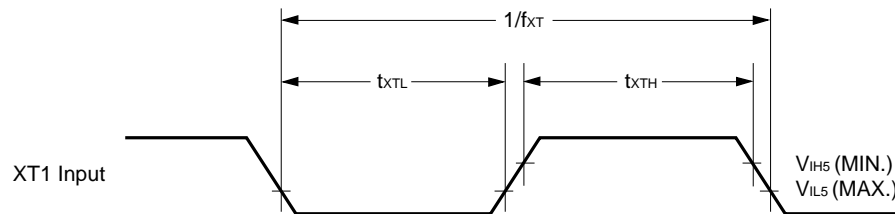
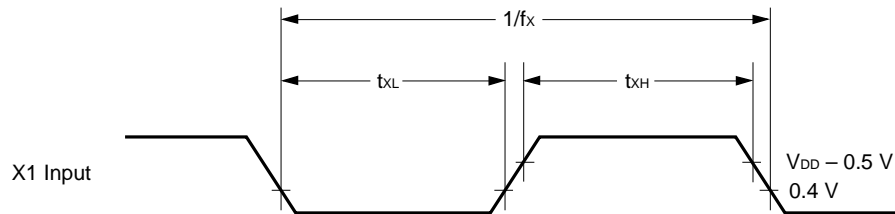
(iii) UART mode (External clock input)

Parameter	Symbol	Test Conditions	MIN.	TYP.	MAX.	Unit
ASCK cycle time	$t_{\text{KCY12}}$	$V_{\text{DD}} = 4.5 \text{ to } 6.0 \text{ V}$	800			ns
			1600			ns
ASCK high-/low-level width	$t_{\text{KH12}}$ ,	$V_{\text{DD}} = 4.5 \text{ to } 6.0 \text{ V}$	400			ns
	$t_{\text{KL12}}$		800			ns
Transfer rate		$V_{\text{DD}} = 4.5 \text{ to } 6.0 \text{ V}$			39063	bps
					19531	bps
ASCK rise, fall time	$t_{\text{R12}}$ ,	$V_{\text{DD}} = 4.5 \text{ to } 6.0 \text{ V}$ , when not using external device expansion function			1000	ns
	$t_{\text{F12}}$				160	ns

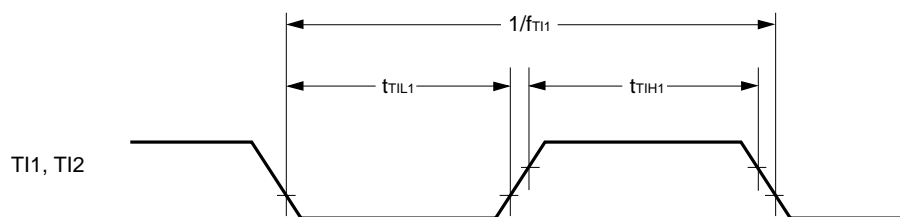
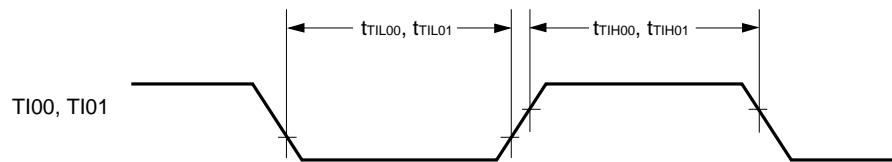
AC Timing Test Point (Excluding X1, XT1 Inputs)



Clock Timing



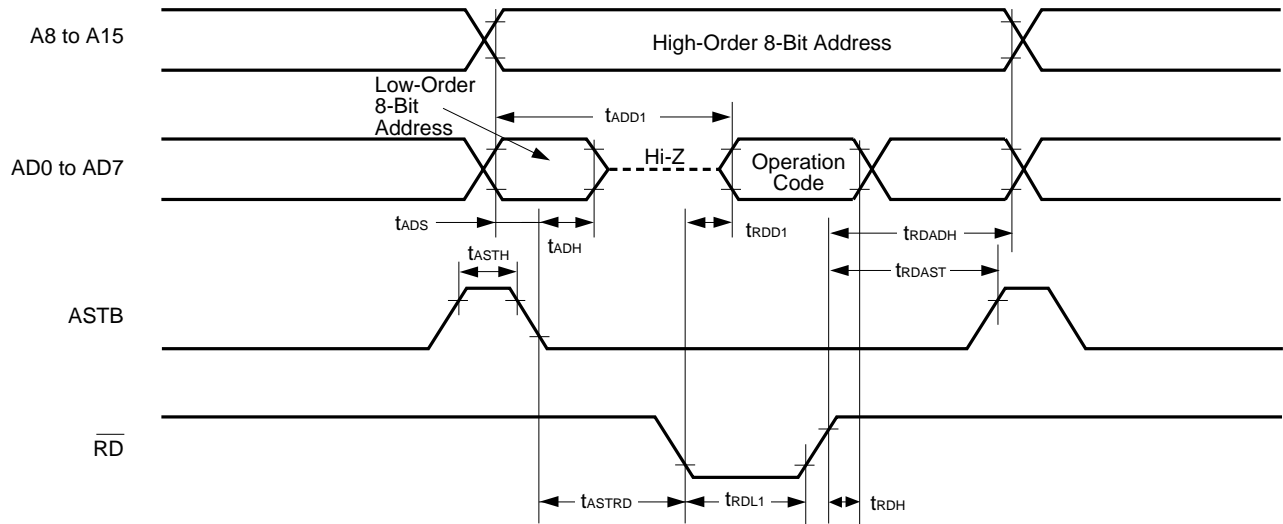
TI Timing



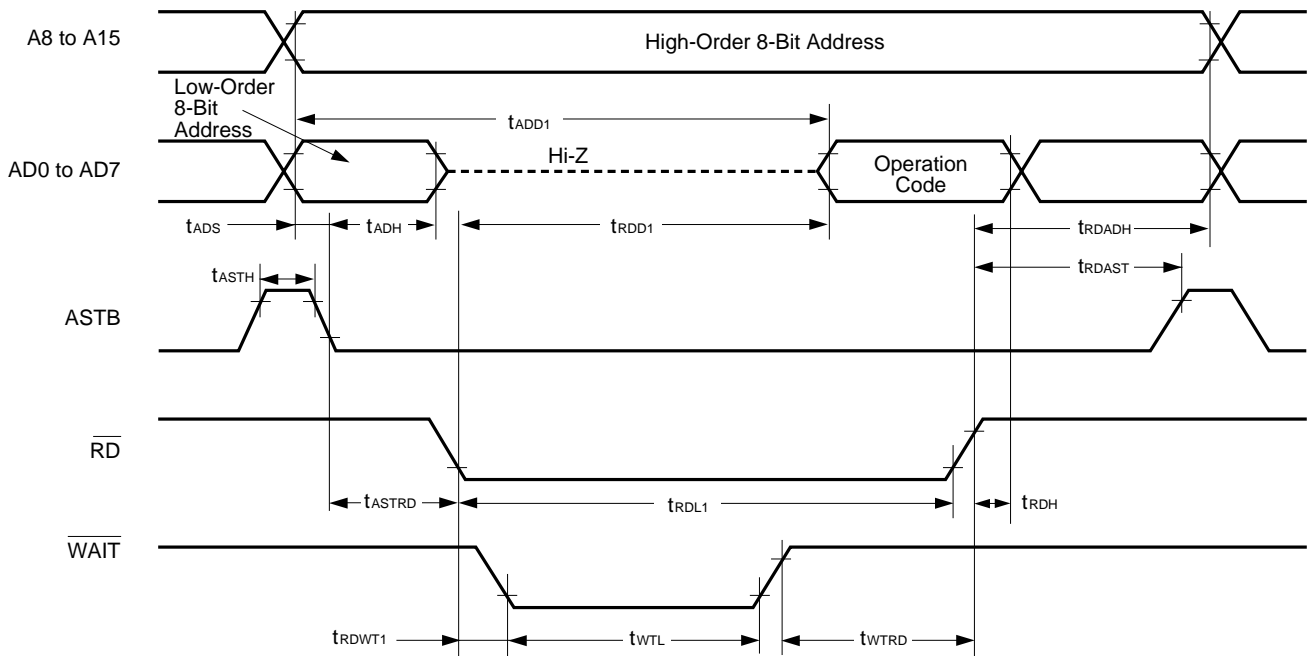


Read/Write Operations

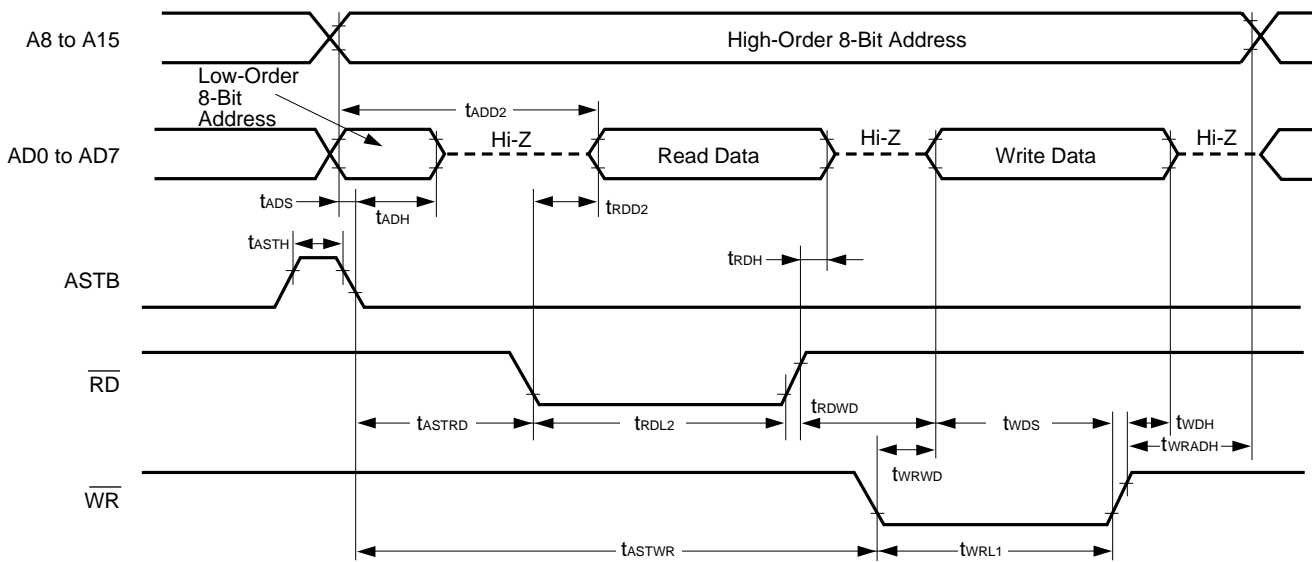
External fetch (no wait):



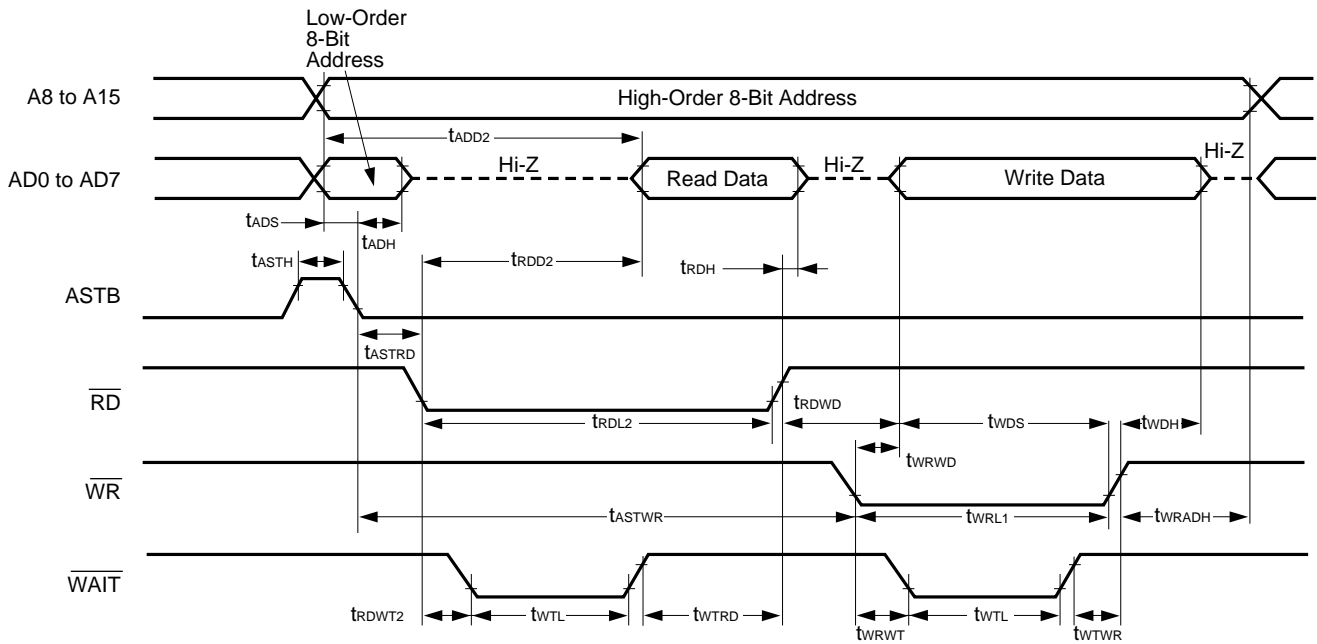
External fetch (wait insertion):



External data access (no wait):

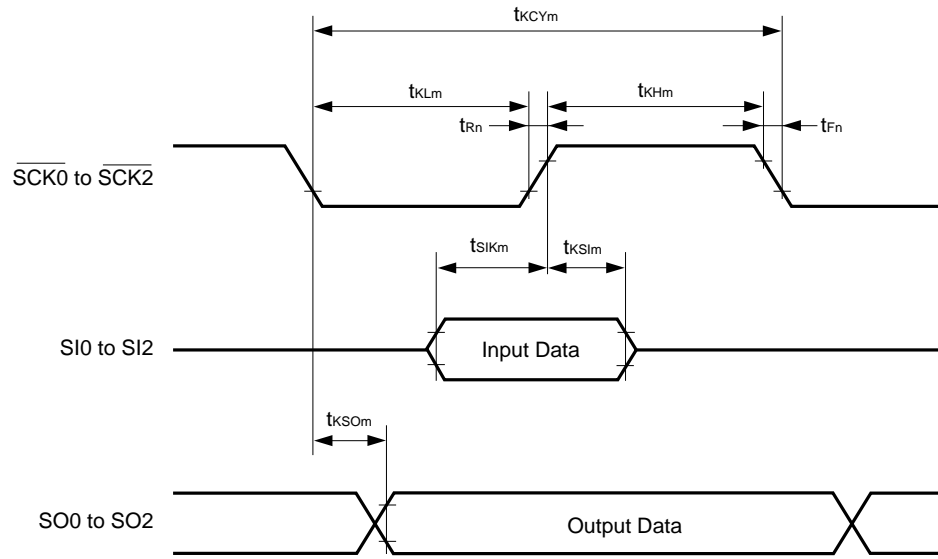


External data access (wait insertion):



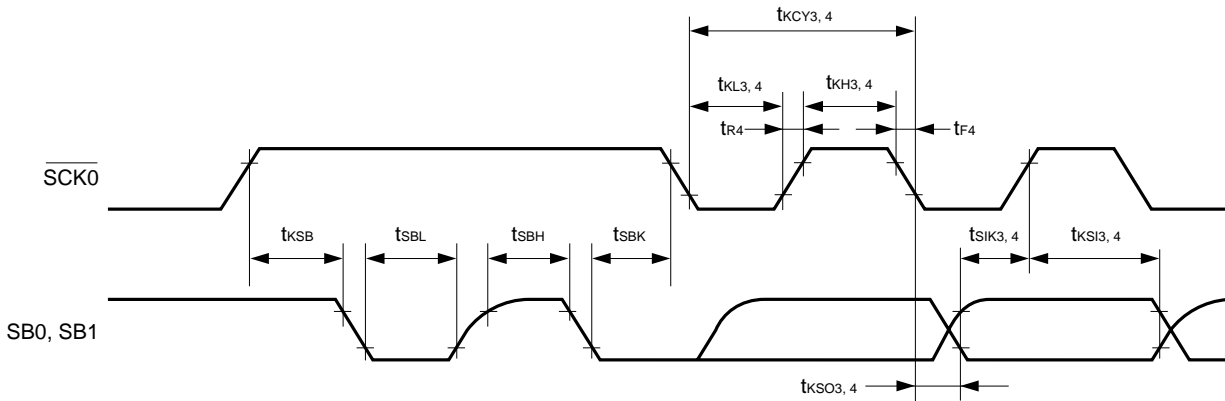
Serial Transfer Timing

3-wire serial I/O mode:

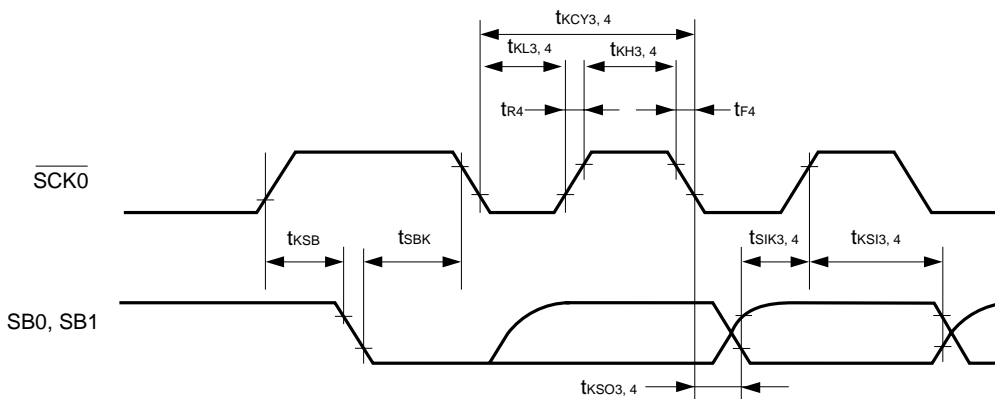


**Remark**  $m = 1, 2, 7, 8, 11$   
 $n = 2, 8$

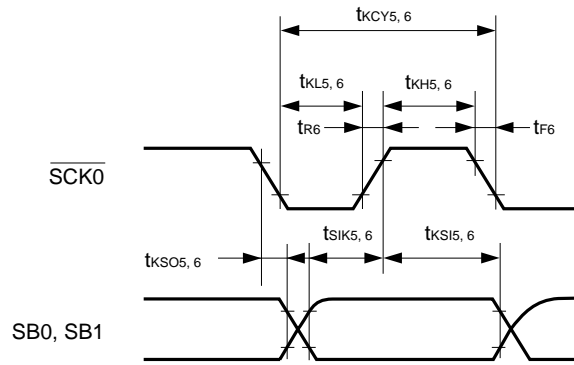
SBI mode (bus release signal transfer):



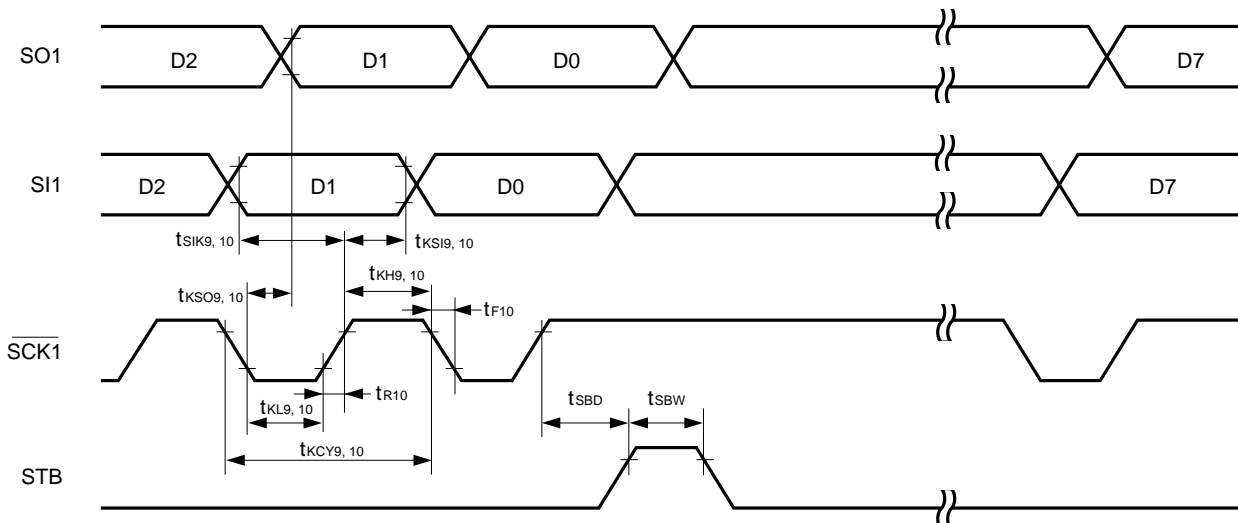
SBI mode (command signal transfer):



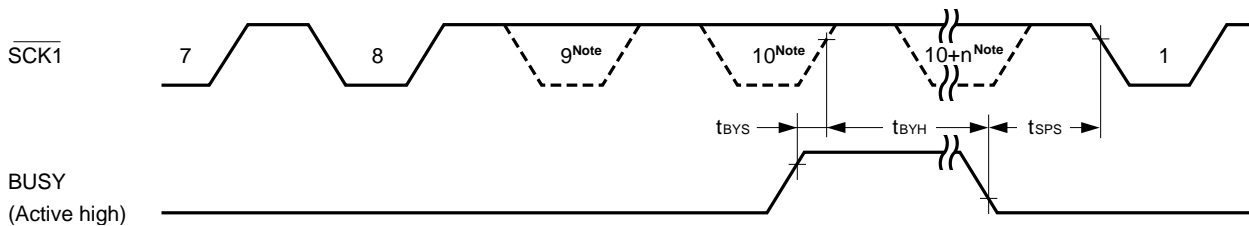
2-wire serial I/O mode:



Automatic transmission/reception function 3-wire serial I/O mode:

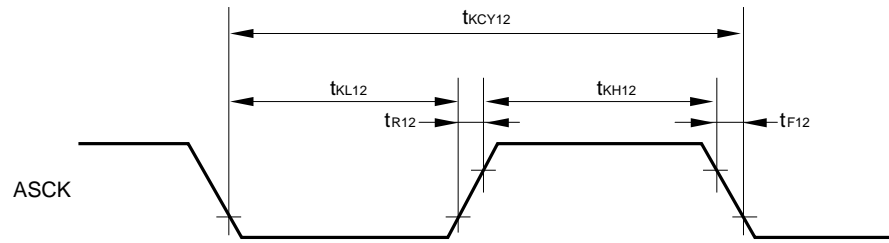


Automatic transmission/reception function 3-wire serial I/O mode (busy processing):



**Note** The signal is not actually low here, but is represented this way to show the timing.

UART mode (external clock input):



**A/D Converter Characteristics (T<sub>A</sub> = -40 to +85°C, AV<sub>DD</sub> = V<sub>DD</sub> = 2.7 to 6.0 V, AV<sub>SS</sub> = V<sub>SS</sub> = 0 V)**

Parameter	Symbol	Test Conditions	MIN.	TYP.	MAX.	Unit
Resolution			8	8	8	bit
Total error <sup>Note</sup>		2.7 V ≤ AV <sub>REF0</sub> ≤ AV <sub>DD</sub>			1.4	%
Conversion time	t <sub>CONV</sub>		19.1		200	μs
Sampling time	t <sub>SAMP</sub>		12/f <sub>XX</sub>			μs
Analog input voltage	V <sub>IAN</sub>		AV <sub>SS</sub>		AV <sub>REF0</sub>	V
Reference voltage	AV <sub>REF0</sub>		2.7		AV <sub>DD</sub>	V
AV <sub>REF0</sub> to AV <sub>SS</sub> resistance	RA <sub>IREF0</sub>		4	14		kΩ

**Note** Excluding quantization error (±1/2LSB). Shown as a percentage of the full scale value.

**Caution** For pins which also function as port pins (see 2.1 Pins in Normal Operating Mode (1) Port pins), do not perform the following operations during A/D conversion. If these operations are performed, the total error ratings cannot be kept.

<1> Rewrite the output latch while the pin is used as a port pin.

<2> Change the output level of the pin used as an output pin, even if it is not used as a port pin.

**Remarks** 1. f<sub>XX</sub> : Main system clock frequency (fx or fx/2)  
 2. fx : Main system clock oscillation frequency

**D/A Converter Characteristics (T<sub>A</sub> = -40 to +85°C, V<sub>DD</sub> = 2.7 to 6.0 V, AV<sub>SS</sub> = V<sub>SS</sub> = 0 V)**

Parameter	Symbol	Test Conditions	MIN.	TYP.	MAX.	Unit
Resolution					8	bit
Total error		R = 2 MΩ <sup>Note 1</sup>			1.2	%
		R = 4 MΩ <sup>Note 1</sup>			0.8	%
		R = 10 MΩ <sup>Note 1</sup>			0.6	%
Settling time		C = 30 pF <sup>Note 1</sup>	4.5 V ≤ AV <sub>REF1</sub> ≤ 6.0 V		10	μs
			2.7 V ≤ AV <sub>REF1</sub> < 4.5 V		15	μs
Output resistance	R <sub>O</sub>	<b>Note 2</b>		10		kΩ
Analog reference voltage	AV <sub>REF1</sub>		2.0		V <sub>DD</sub>	V
AV <sub>REF1</sub> to AV <sub>SS</sub> resistance	RA <sub>IREF1</sub>	DACS0, DACS1 = 55H <sup>Note 2</sup>	4	8		kΩ

**Notes** 1. R and C are the D/A converter output pin load resistance and load capacitance.  
 2. Value for one D/A converter channel

**Remark** DACS0, DACS1 : D/A conversion value setting register 0, 1

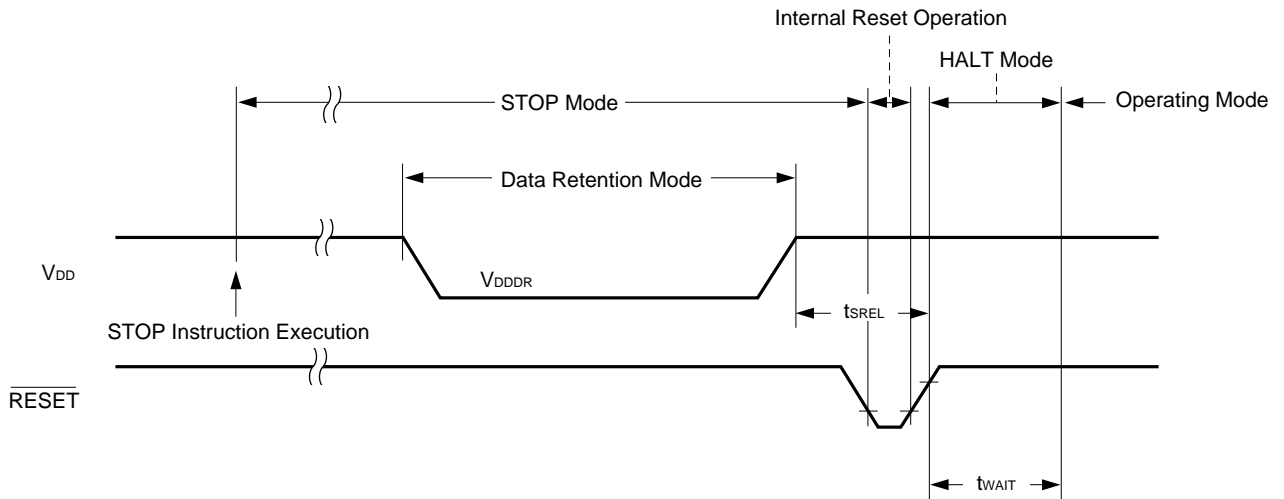
**Data Memory STOP Mode Low Supply Voltage Data Retention Characteristics (TA = -40 to +85°C)**

Parameter	Symbol	Test Conditions	MIN.	TYP.	MAX.	Unit
Data retention supply voltage	V <sub>DDDR</sub>		1.8		6.0	V
Data retention supply current	I <sub>DDDR</sub>	V <sub>DDDR</sub> = 1.8 V Subsystem clock stopped, feedback resistor disconnected		0.1	10	μA
Release signal setup time	t <sub>SREL</sub>		0			μs
Oscillation stabilization wait time	t <sub>WAIT</sub>	Release by $\overline{\text{RESET}}$		2 <sup>17</sup> /f <sub>x</sub>		ms
		Release by interrupt		<b>Note</b>		ms

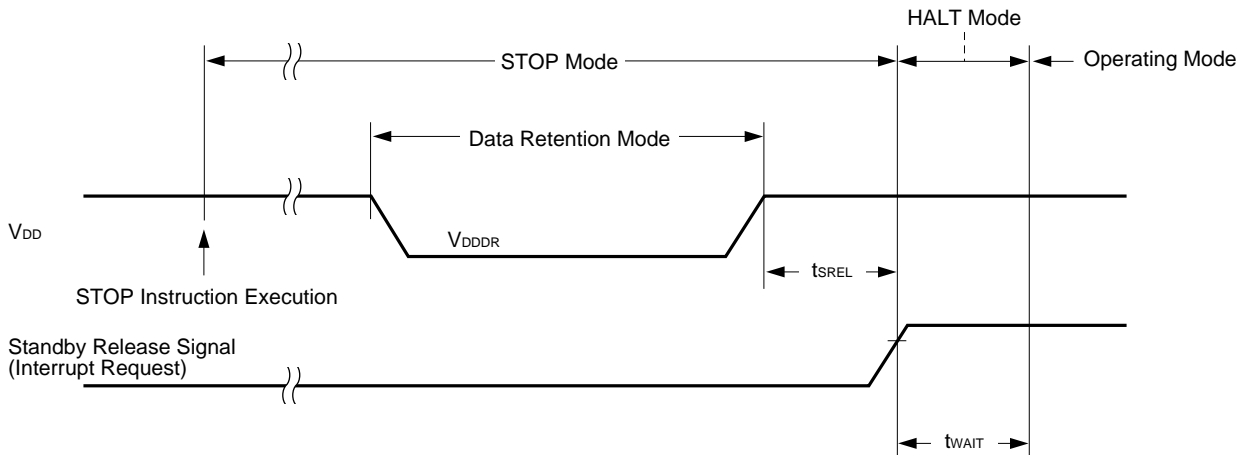
**Note** 2<sup>12</sup>/f<sub>xx</sub>, or 2<sup>14</sup>/f<sub>xx</sub> through 2<sup>17</sup>/f<sub>xx</sub> can be selected by bits 0 to 2 (OSTS0 to OSTS2) of the oscillation stabilization time selection register (OSTS).

**Remark** f<sub>xx</sub> : Main system clock frequency (f<sub>x</sub> or f<sub>x</sub>/2)  
f<sub>x</sub> : Main system clock oscillation frequency

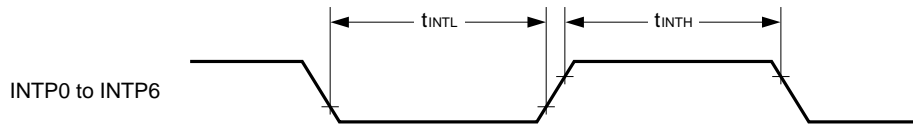
**Data Retention Timing (STOP mode release by  $\overline{\text{RESET}}$ )**



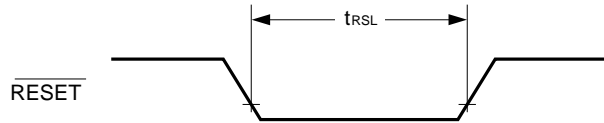
**Data Retention Timing (Standby release signal: STOP mode release by interrupt signal)**



**Interrupt Input Timing**



**$\overline{\text{RESET}}$  Input Timing**





## PROM PROGRAMMING CHARACTERISTICS

## DC Characteristics

(1) PROM Write Mode ( $T_A = 25 \pm 5^\circ\text{C}$ ,  $V_{DD} = 6.5 \pm 0.25\text{ V}$ ,  $V_{PP} = 12.5 \pm 0.3\text{ V}$ )

Parameter	Symbol	Symbol <sup>Note</sup>	Test Conditions	MIN.	TYP.	MAX.	Unit
Input voltage, high	$V_{IH}$	$V_{IH}$		$0.7 V_{DD}$		$V_{DD}$	V
Input voltage, low	$V_{IL}$	$V_{IL}$		0		$0.3 V_{DD}$	V
Output voltage, high	$V_{OH}$	$V_{OH}$	$I_{OH} = -1\text{ mA}$	$V_{DD} - 1.0$			V
Output voltage, low	$V_{OL}$	$V_{OL}$	$I_{OL} = 1.6\text{ mA}$			0.4	V
Input leakage current	$I_{LI}$	$I_{LI}$	$0 \leq V_{IN} \leq V_{DD}$	-10		+10	$\mu\text{A}$
$V_{PP}$ supply voltage	$V_{PP}$	$V_{PP}$		12.2	12.5	12.8	V
$V_{DD}$ supply voltage	$V_{DD}$	$V_{CC}$		6.25	6.5	6.75	V
$V_{PP}$ supply current	$I_{PP}$	$I_{PP}$	$\overline{\text{PGM}} = V_{IL}$			50	mA
$V_{DD}$ supply current	$I_{DD}$	$I_{CC}$				50	mA

(2) PROM Read Mode ( $T_A = 25 \pm 5^\circ\text{C}$ ,  $V_{DD} = 5.0 \pm 0.5\text{ V}$ ,  $V_{PP} = V_{DD} \pm 0.6\text{ V}$ )

Parameter	Symbol	Symbol <sup>Note</sup>	Test Conditions	MIN.	TYP.	MAX.	Unit
Input voltage, high	$V_{IH}$	$V_{IH}$		$0.7 V_{DD}$		$V_{DD}$	V
Input voltage, low	$V_{IL}$	$V_{IL}$		0		$0.3 V_{DD}$	V
Output voltage, high	$V_{OH1}$	$V_{OH1}$	$I_{OH} = -1\text{ mA}$	$V_{DD} - 1.0$			V
	$V_{OH2}$	$V_{OH2}$	$I_{OH} = -100\ \mu\text{A}$	$V_{DD} - 0.5$			V
Output voltage, low	$V_{OL}$	$V_{OL}$	$I_{OL} = 1.6\text{ mA}$			0.4	V
Input leakage current	$I_{LI}$	$I_{LI}$	$0 \leq V_{IN} \leq V_{DD}$	-10		+10	$\mu\text{A}$
Output leakage current	$I_{LO}$	$I_{LO}$	$0 \leq V_{OUT} \leq V_{DD}$ , $\overline{\text{OE}} = V_{IH}$	-10		+10	$\mu\text{A}$
$V_{PP}$ supply voltage	$V_{PP}$	$V_{PP}$		$V_{DD} - 0.6$	$V_{DD}$	$V_{DD} + 0.6$	V
$V_{DD}$ supply voltage	$V_{DD}$	$V_{CC}$		4.5	5.0	5.5	V
$V_{PP}$ supply current	$I_{PP}$	$I_{PP}$	$V_{PP} = V_{DD}$			100	$\mu\text{A}$
$V_{DD}$ supply current	$I_{DD}$	$I_{CCA1}$	$\overline{\text{CE}} = V_{IL}$ , $V_{IN} = V_{IH}$			50	mA

**Note** Corresponding symbols for the  $\mu$ PD27C1001A.

## AC Characteristics

## (1) PROM Write Mode

(a) Page program mode ( $T_A = 25 \pm 5^\circ\text{C}$ ,  $V_{DD} = 6.5 \pm 0.25\text{ V}$ ,  $V_{PP} = 12.5 \pm 0.3\text{ V}$ )

Parameter	Symbol	Symbol <sup>Note</sup>	Test Conditions	MIN.	TYP.	MAX.	Unit
Address setup time (to $\overline{\text{OE}}\downarrow$ )	$t_{AS}$	$t_{AS}$		2			$\mu\text{s}$
$\overline{\text{OE}}$ setting time	$t_{OES}$	$t_{OES}$		2			$\mu\text{s}$
$\overline{\text{CE}}$ setup time (to $\overline{\text{OE}}\downarrow$ )	$t_{CES}$	$t_{CES}$		2			$\mu\text{s}$
Input data setup time (to $\overline{\text{OE}}\downarrow$ )	$t_{DS}$	$t_{DS}$		2			$\mu\text{s}$
Address hold time (from $\overline{\text{OE}}\uparrow$ )	$t_{AH}$	$t_{AH}$		2			$\mu\text{s}$
	$t_{AHL}$	$t_{AHL}$		2			$\mu\text{s}$
	$t_{AHV}$	$t_{AHV}$		0			$\mu\text{s}$
Input data hold time (from $\overline{\text{OE}}\uparrow$ )	$t_{DH}$	$t_{DH}$		2			$\mu\text{s}$
Data output float delay time from $\overline{\text{OE}}\uparrow$	$t_{DF}$	$t_{DF}$		0		250	ns
$V_{PP}$ setup time (to $\overline{\text{OE}}\downarrow$ )	$t_{VPS}$	$t_{VPS}$		1.0			ms
$V_{DD}$ setup time (to $\overline{\text{OE}}\downarrow$ )	$t_{VDS}$	$t_{VCS}$		1.0			ms
Program pulse width	$t_{PW}$	$t_{PW}$		0.095	0.1	0.105	ms
Valid data delay time from $\overline{\text{OE}}\downarrow$	$t_{OE}$	$t_{OE}$				1	$\mu\text{s}$
$\overline{\text{OE}}$ pulse width during data latching	$t_{LW}$	$t_{LW}$		1			$\mu\text{s}$
PGM setting time	$t_{PGMS}$	$t_{PGMS}$		2			$\mu\text{s}$
$\overline{\text{CE}}$ hold time	$t_{CEH}$	$t_{CEH}$		2			$\mu\text{s}$
$\overline{\text{OE}}$ hold time	$t_{OEH}$	$t_{OEH}$		2			$\mu\text{s}$

(b) Byte program mode ( $T_A = 25 \pm 5^\circ\text{C}$ ,  $V_{DD} = 6.5 \pm 0.25\text{ V}$ ,  $V_{PP} = 12.5 \pm 0.3\text{ V}$ )

Parameter	Symbol	Symbol <sup>Note</sup>	Test Conditions	MIN.	TYP.	MAX.	Unit
Address setup time (to $\overline{\text{PGM}}\downarrow$ )	$t_{AS}$	$t_{AS}$		2			$\mu\text{s}$
$\overline{\text{OE}}$ setting time	$t_{OES}$	$t_{OES}$		2			$\mu\text{s}$
$\overline{\text{CE}}$ setup time (to $\overline{\text{PGM}}\downarrow$ )	$t_{CES}$	$t_{CES}$		2			$\mu\text{s}$
Input data setup time (to $\overline{\text{PGM}}\downarrow$ )	$t_{DS}$	$t_{DS}$		2			$\mu\text{s}$
Address hold time (from $\overline{\text{OE}}\uparrow$ )	$t_{AH}$	$t_{AH}$		2			$\mu\text{s}$
Input data hold time (from $\overline{\text{PGM}}\uparrow$ )	$t_{DH}$	$t_{DH}$		2			$\mu\text{s}$
Data output float delay time from $\overline{\text{OE}}\uparrow$	$t_{DF}$	$t_{DF}$		0		250	ns
$V_{PP}$ setup time (to $\overline{\text{PGM}}\downarrow$ )	$t_{VPS}$	$t_{VPS}$		1.0			ms
$V_{DD}$ setup time (to $\overline{\text{PGM}}\downarrow$ )	$t_{VDS}$	$t_{VCS}$		1.0			ms
Program pulse width	$t_{PW}$	$t_{PW}$		0.095	0.1	0.105	ms
Valid data delay time from $\overline{\text{OE}}\downarrow$	$t_{OE}$	$t_{OE}$				1	$\mu\text{s}$
$\overline{\text{OE}}$ hold time	$t_{OEH}$	—		2			$\mu\text{s}$

**Note** Corresponding symbols for the  $\mu$ PD27C1001A.

**(2) PROM Read Mode ( $T_A = 25 \pm 5^\circ\text{C}$ ,  $V_{DD} = 5.0 \pm 0.5 \text{ V}$ ,  $V_{PP} = V_{DD} \pm 0.6 \text{ V}$ )**

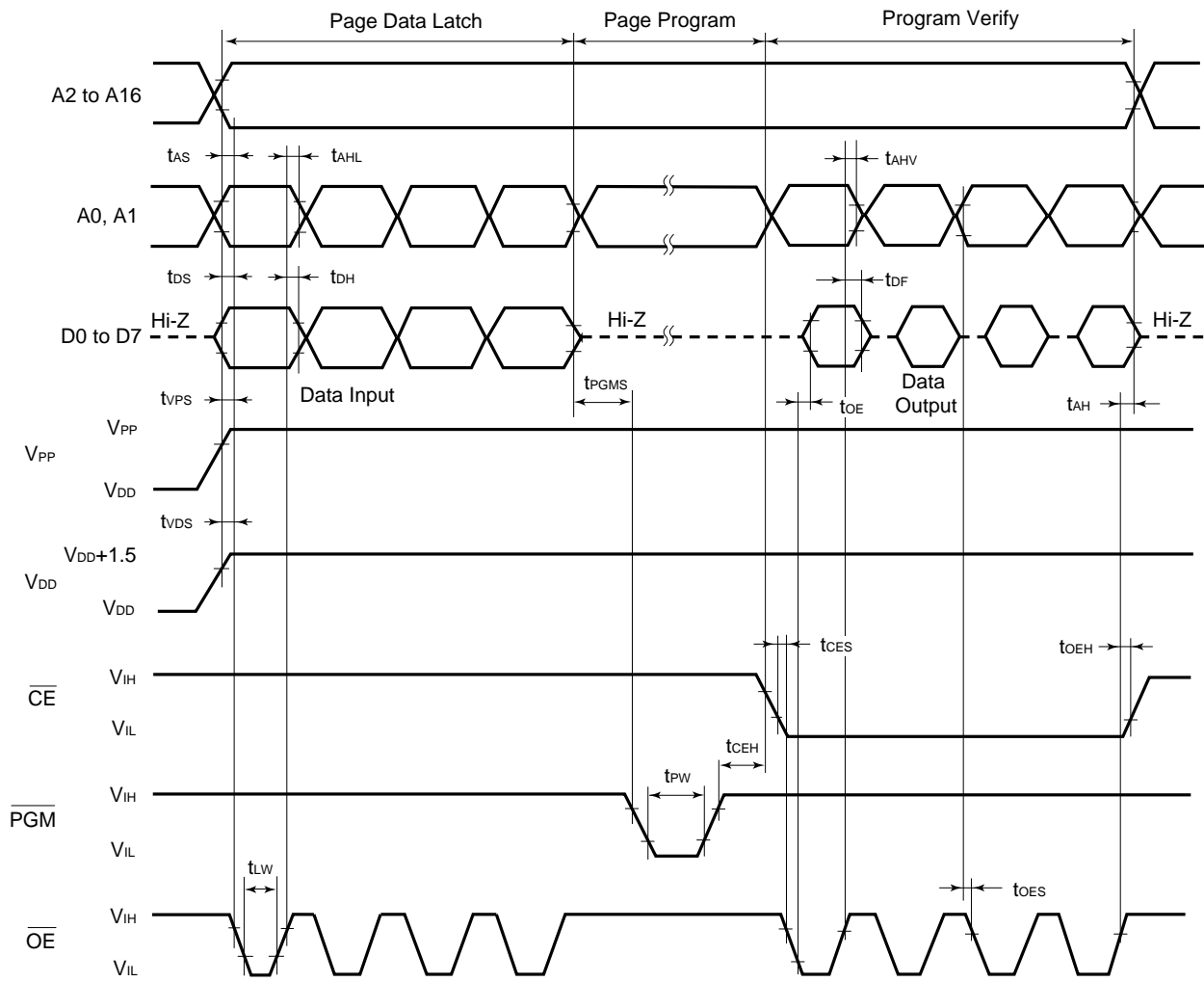
Parameter	Symbol	Symbol <sup>Note</sup>	Test Conditions	MIN.	TYP.	MAX.	Unit
Data output delay time from address	$t_{ACC}$	$t_{ACC}$	$\overline{CE} = \overline{OE} = V_{IL}$			800	ns
Data output delay time from $\overline{CE}\downarrow$	$t_{CE}$	$t_{CE}$	$\overline{OE} = V_{IL}$			800	ns
Data output delay time from $\overline{OE}\downarrow$	$t_{OE}$	$t_{OE}$	$\overline{CE} = V_{IL}$			200	ns
Data output float delay time from $\overline{OE}\uparrow$	$t_{DF}$	$t_{DF}$	$\overline{CE} = V_{IL}$	0		60	ns
Data hold time from address	$t_{OH}$	$t_{OH}$	$\overline{CE} = \overline{OE} = V_{IL}$	0			ns

**Note** Corresponding symbols for the  $\mu$ PD27C1001A.

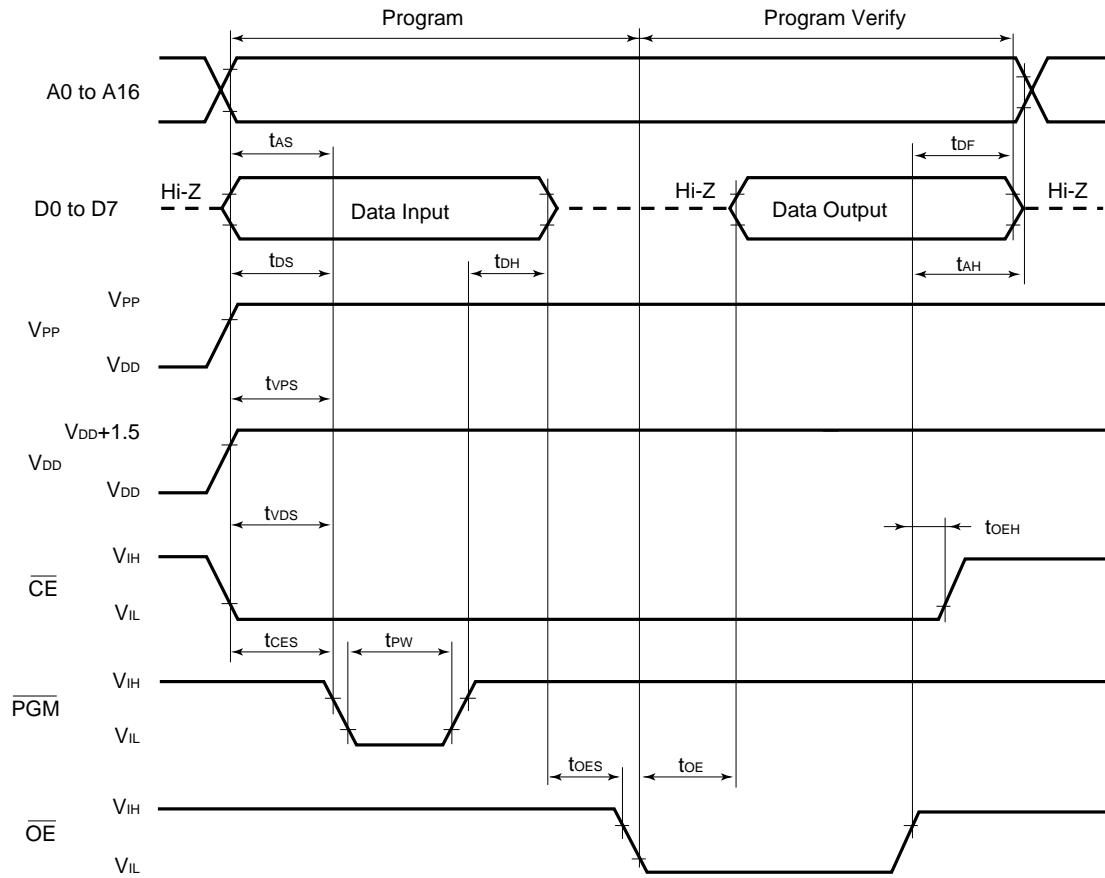
**(3) PROM Programming Mode Setting ( $T_A = 25^\circ\text{C}$ ,  $V_{SS} = 0 \text{ V}$ )**

Parameter	Symbol	Test Conditions	MIN.	TYP.	MAX.	Unit
PROM programming mode setup time	$t_{SMA}$		10			$\mu\text{s}$

PROM Write Mode Timing (page program mode)

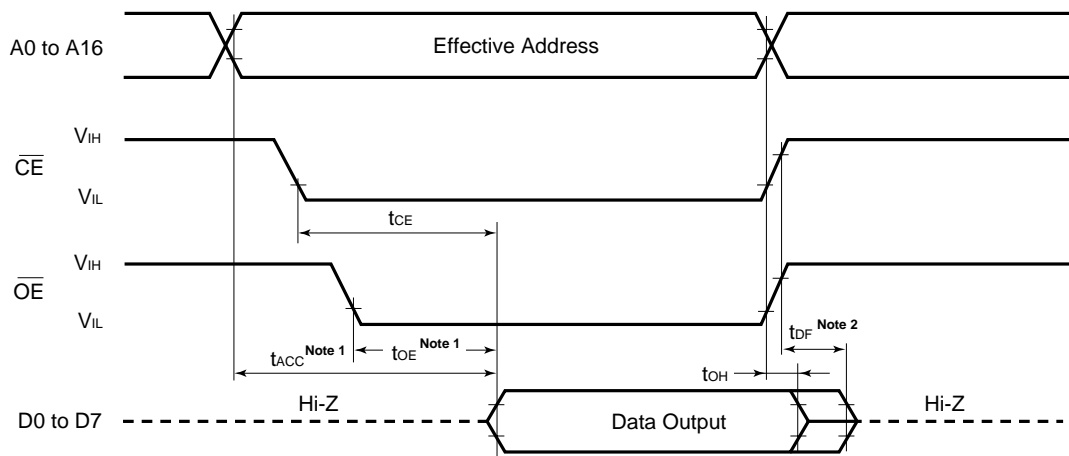


**PROM Write Mode Timing (byte program mode)**



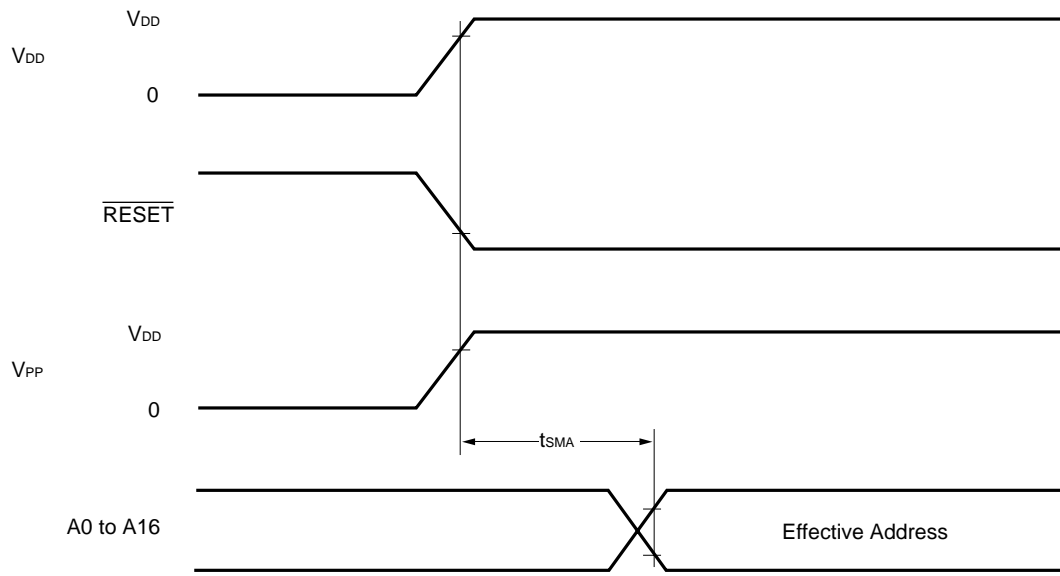
- Cautions**
1.  $V_{DD}$  should be applied before  $V_{PP}$ , and removed after  $V_{PP}$ .
  2.  $V_{PP}$  must not exceed +13.5 V including overshoot.
  3. Reliability may be adversely affected if removal/reinsertion is performed while +12.5 V is being applied to  $V_{PP}$ .

**PROM Read Mode Timing**



- Notes**
1. If you want to read within the  $t_{ACC}$  range, make the  $\overline{OE}$  input delay time from the fall of  $\overline{CE}$  a maximum of  $t_{ACC} - t_{OE}$ .
  2.  $t_{DF}$  is the time from when either  $\overline{OE}$  or  $\overline{CE}$  first reaches  $V_{IH}$ .

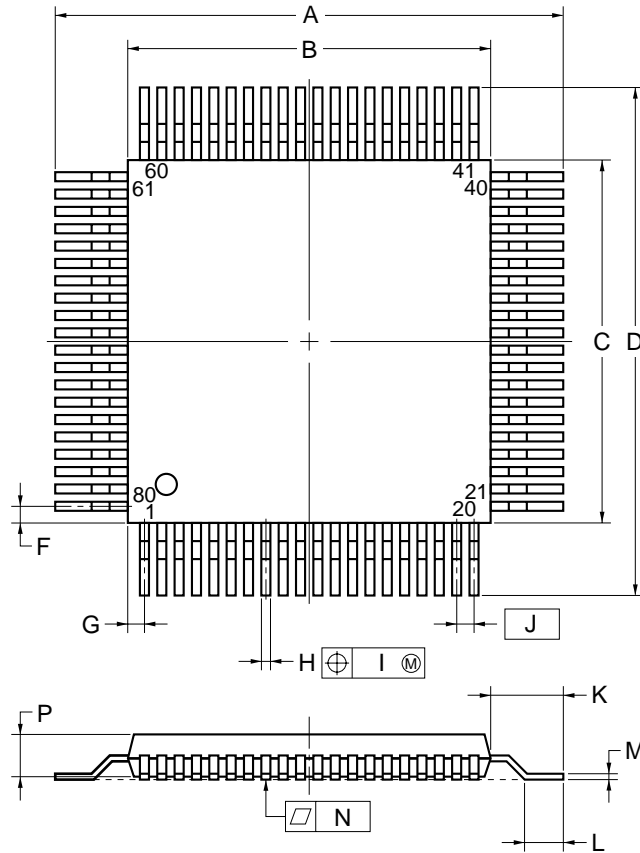
PROM Programming Mode Setting Timing



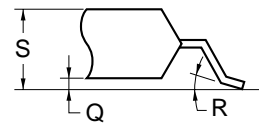
8. PACKAGE DRAWINGS

Package Drawing of μPD78P058FGC-3B9

80 PIN PLASTIC QFP (14×14)



detail of lead end



NOTE

Each lead centerline is located within 0.13 mm (0.005 inch) of its true position (T.P.) at maximum material condition.

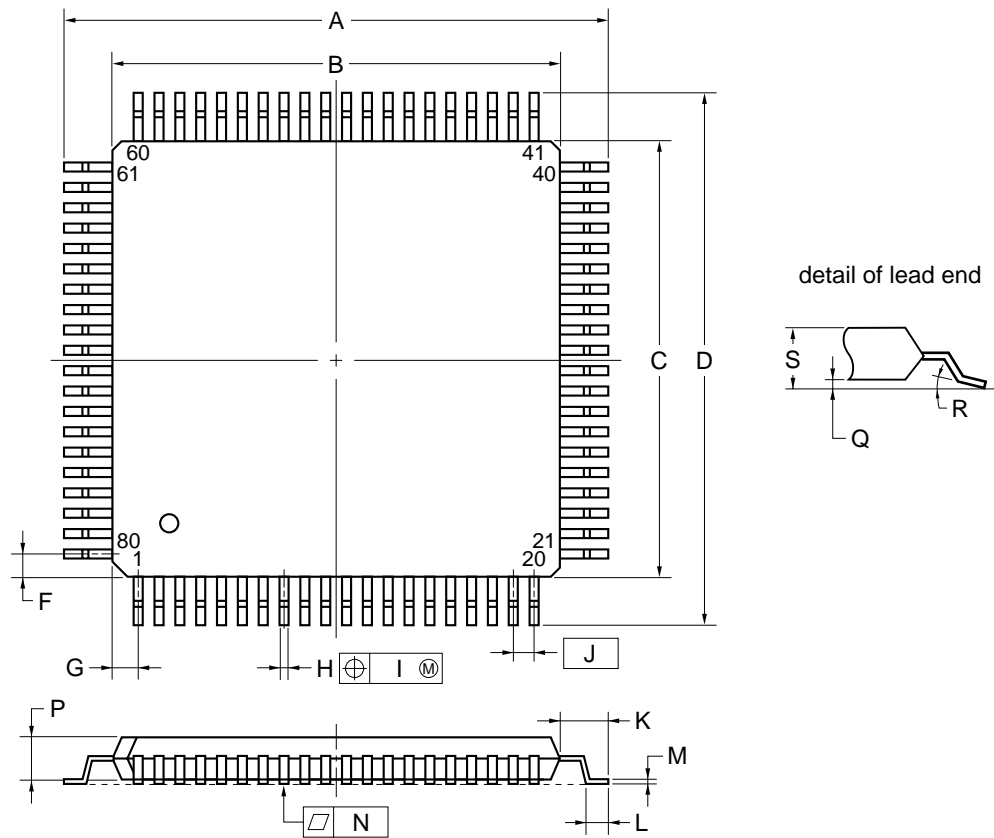
ITEM	MILLIMETERS	INCHES
A	17.2±0.4	0.677±0.016
B	14.0±0.2	0.551 <sup>+0.009</sup> <sub>-0.008</sub>
C	14.0±0.2	0.551 <sup>+0.009</sup> <sub>-0.008</sub>
D	17.2±0.4	0.677±0.016
F	0.825	0.032
G	0.825	0.032
H	0.30±0.10	0.012 <sup>+0.004</sup> <sub>-0.005</sub>
I	0.13	0.005
J	0.65 (T.P.)	0.026 (T.P.)
K	1.6±0.2	0.063±0.008
L	0.8±0.2	0.031 <sup>+0.009</sup> <sub>-0.008</sub>
M	0.15 <sup>+0.10</sup> <sub>-0.05</sub>	0.006 <sup>+0.004</sup> <sub>-0.003</sub>
N	0.10	0.004
P	2.7	0.106
Q	0.1±0.1	0.004±0.004
R	5°±5°	5°±5°
S	3.0 MAX.	0.119 MAX.

S80GC-65-3B9-4

Remark The dimensions and materials of ES product are the same as those of mass-production products.

Package Drawing of μPD78P058FGC-8BT

80 PIN PLASTIC QFP (14×14)



**NOTE**

Each lead centerline is located within 0.13 mm (0.005 inch) of its true position (T.P.) at maximum material condition.

ITEM	MILLIMETERS	INCHES
A	17.20±0.20	0.677±0.008
B	14.00±0.20	0.551 <sup>+0.009</sup> <sub>-0.008</sub>
C	14.00±0.20	0.551 <sup>+0.009</sup> <sub>-0.008</sub>
D	17.20±0.20	0.677±0.008
F	0.825	0.032
G	0.825	0.032
H	0.32±0.06	0.013 <sup>+0.002</sup> <sub>-0.003</sub>
I	0.13	0.005
J	0.65 (T.P.)	0.026 (T.P.)
K	1.60±0.20	0.063±0.008
L	0.80±0.20	0.031 <sup>+0.009</sup> <sub>-0.008</sub>
M	0.17 <sup>+0.03</sup> <sub>-0.07</sub>	0.007 <sup>+0.001</sup> <sub>-0.003</sub>
N	0.10	0.004
P	1.40±0.10	0.055±0.004
Q	0.125±0.075	0.005±0.003
R	3° <sup>+7°</sup> <sub>-3°</sub>	3° <sup>+7°</sup> <sub>-3°</sub>
S	1.70 MAX.	0.067 MAX.

P80GC-65-8BT



**9. RECOMMENDED SOLDERING CONDITIONS**

The μPD78P058F should be soldered and mounted under the conditions recommended below.

For details of recommended soldering conditions, refer to the information document **Semiconductor Device Mounting Technology Manual (C10535E)**.

For soldering methods and conditions other than those recommended, please contact your NEC sales representative.

**Table 9-1. Surface Mount Type Soldering Conditions (1/2)**

**(1) μPD78P058FGC-3B9 : 80-pin plastic QFP (14 × 14 mm, Resin thickness: 2.7 mm)**

Soldering Method	Soldering Conditions	Symbol
Infrared reflow	Package peak temperature: 235°C, Reflow time: 30 seconds or below (210°C or higher), Number of reflow processes: 3 max., Exposure limit: 7 days <sup>Note</sup> (after that, prebaking is necessary at 125°C for 20 hours)	IR35-207-3
VPS	Package peak temperature: 215°C, Reflow time: 40 seconds or below (200°C or higher), Number of reflow processes: 3 max., Exposure limit: 7 days <sup>Note</sup> (after that, prebaking is necessary at 125°C for 20 hours)	VP15-207-3
Wave soldering	Solder temperature: 260°C or below, Flow time: 10 seconds or below, Number of flow processes: 1, Preheating temperature: 120°C or below (package surface temperature), Exposure limit: 7 days <sup>Note</sup> (after that, prebaking is necessary at 125°C for 20 hours)	WS60-207-1
Pin partial heating	Pin temperature: 300°C or below, Time: 3 seconds or below (per side of device)	—

**Note** The number of days for storage after the dry pack has been opened. Storage conditions are 25°C and 65% RH max.

**Caution** Use of more than one soldering method should be avoided (except the pin partial heating method).

Table 9-1. Surface Mount Type Soldering Conditions (2/2)

★ (2) μPD78P058FGC-8BT : 80-pin plastic QFP (14 × 14 mm, Resin thickness: 1.4 mm)

Soldering Method	Soldering Conditions	Symbol
Infrared reflow	Package peak temperature: 235°C, Reflow time: 30 seconds or below (210°C or higher), Number of reflow processes: 2 max., Exposure limit: 7 days <sup>Note</sup> (after that, prebaking is necessary at 125°C for 10 hours)	IR35-107-2
VPS	Package peak temperature: 215°C, Reflow time: 40 seconds or below (200°C or higher), Number of reflow processes: 2 max., Exposure limit: 7 days <sup>Note</sup> (after that, prebaking is necessary at 125°C for 10 hours)	VP15-107-2
Wave soldering	Solder temperature: 260°C or below, Flow time: 10 seconds or below, Number of flow processes: 1, Preheating temperature: 120°C or below (package surface temperature), Exposure limit: 7 days <sup>Note</sup> (after that, prebaking is necessary at 125°C for 10 hours)	WS60-107-1
Pin partial heating	Pin temperature: 300°C or below, Time: 3 seconds or below (per side of device)	—

**Note** The number of days for storage after the dry pack has been opened. Storage conditions are 25°C and 65% RH max.

**Caution** Use of more than one soldering method should be avoided (except the pin partial heating method).

## APPENDIX A. DEVELOPMENT TOOLS

The following support tools are available for system development using the μPD78P058F.

### Language Processing Software

RA78K/0 <sup>Notes 1, 2, 3, 4</sup>	78K/0 Series common assembler package
CC78K/0 <sup>Notes 1, 2, 3, 4</sup>	78K/0 Series common C compiler package
DF78054 <sup>Notes 1, 2, 3, 4</sup>	μPD78054 Subseries common device file
CC78K/0-L <sup>Notes 1, 2, 3, 4</sup>	78K/0 Series common C compiler library source file

### PROM Writing Tools

PG-1500	PROM programmer
PA-78P054GC	Programmer adapter connected to a PG-1500
PG-1500 controller <sup>Notes 1, 2</sup>	PG-1500 control program

### Debugging Tools

	IE-78000-R	78K/0 Series common in-circuit emulator
	IE-78000-R-A	78K/0 Series common in-circuit emulator (for integrated debugger)
	IE-78000-R-BK	78K/0 Series common break board
	IE-78064-R-EM <sup>Note 8</sup>	Emulation board common to μPD78064 Subseries
★	IE-780308-R-EM	Emulation board common to μPD780308 Subseries
★	IE-78000-R-SV3	Interface adapter and cable (for IE-78000-R-A) when using EWS as a host machine
★	IE-70000-98-IF-B	Interface adapter (for IE-78000-R-A) when using PC-9800 Series (except notebook type computer) as a host machine
★	IE-70000-98N-IF	Interface adapter and cable (for IE-78000-R-A) when using PC-9800 Series notebook type computer as a host machine
★	IE-70000-PC-IF-B	Interface adapter (for IE-78000-R-A) when using IBM PC/AT™ and its compatibles as a host machine
	EP-78230GC-R	Emulation probe common to μPD78234 Subseries
	EV-9200GC-80 (see <b>Figure A-1</b> )	Socket for mounting on target system board created for 80-pin plastic QFP (GC-3B9, GC-8BT type)
	SM78K/0 <sup>Notes 5, 6, 7</sup>	78K/0 Series common system simulator
	ID78K/0 <sup>Notes 4, 5, 6, 7</sup>	Integrated debugger for IE-78000-R-A
	SD78K/0 <sup>Notes 1, 2</sup>	Screen debugger for IE-78000-R
	DF78054 <sup>Notes 1, 2, 4, 5, 6, 7</sup>	Device file common to μPD78054 Subseries

**Real-Time OS**

RX78K0 <sup>Notes 1, 2, 3, 4</sup>	78K/0 Series real-time OS
MX78K0 <sup>Notes 1, 2, 3, 4</sup>	78K/0 Series OS

**Fuzzy Inference Development Support System**

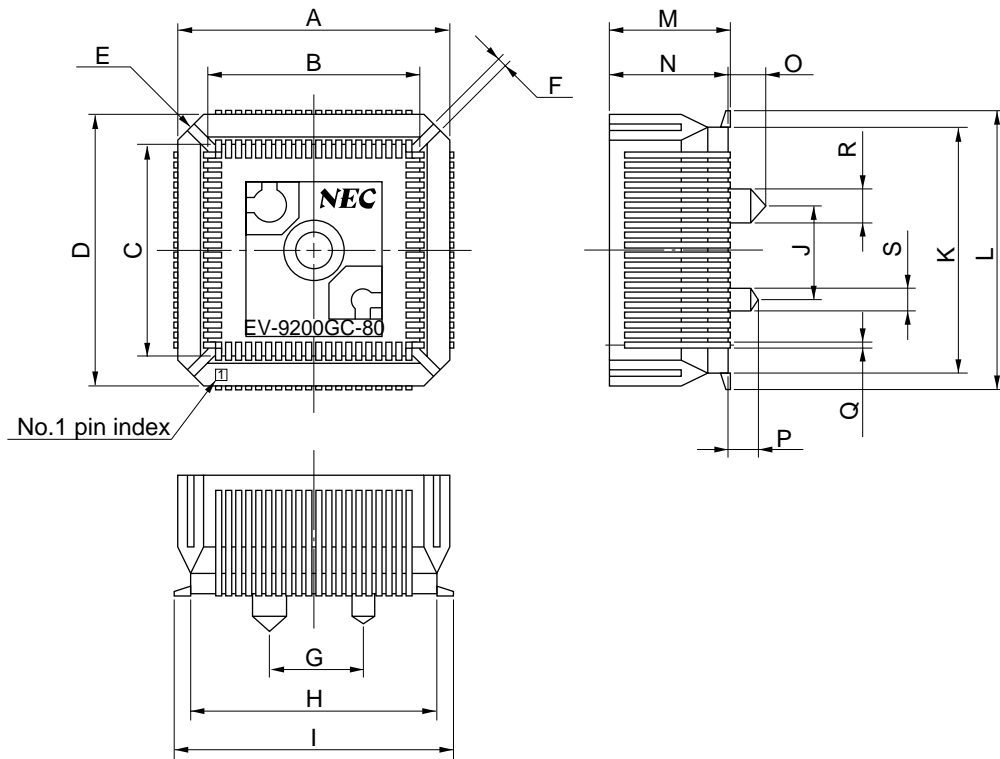
FE9000 <sup>Note 1</sup> /FE9200 <sup>Note 6</sup>	Fuzzy knowledge data input tool
FT9080 <sup>Note 1</sup> /FT9085 <sup>Note 2</sup>	Translator
FI78K0 <sup>Notes 1, 2</sup>	Fuzzy inference module
FD78K0 <sup>Notes 1, 2</sup>	Fuzzy inference debugger

- Notes**
1. PC-9800 Series (MS-DOS™) based
  2. IBM PC/AT and its compatibles (PC DOS™/IBM DOS™/MS-DOS) based
  3. HP9000 Series 300™ (HP-UX™) based
  4. HP9000 Series 700™ (HP-UX) based, SPARCstation™ (SunOS™) based, EWS4800 Series (EWS-UX/V) based
  5. PC-9800 Series (MS-DOS + Windows™) based
  6. IBM PC/AT and its compatibles (PC DOS/IBM DOS/MS-DOS + Windows) based
  7. NEWS™ (NEWS-OS™) based
  8. Maintenance product

- Remarks**
1. For third party development tools, see **78K/0 Series Selection Guide (U11126E)**.
  2. The RA78K/0, CC78K/0, SM78K0, ID78K0, SD78K/0, and RX78K/0 are used in combination with the DF78054.

★ Drawing of Conversion Socket (EV-9200GC-80) and Recommended Footprint

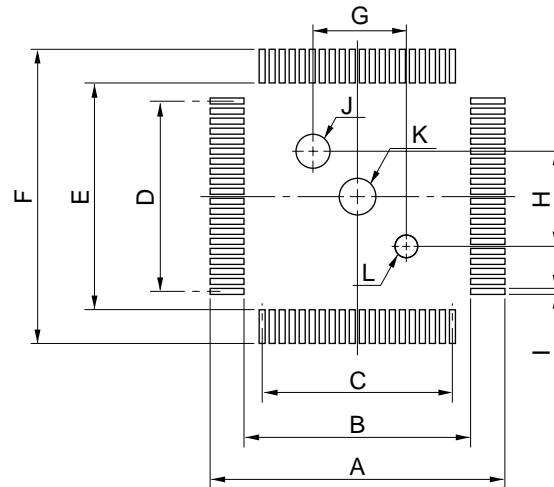
Figure A-1. Drawing of EV-9200GC-80 (for Reference only)



EV-9200GC-80-G1E

ITEM	MILLIMETERS	INCHES
A	18.0	0.709
B	14.4	0.567
C	14.4	0.567
D	18.0	0.709
E	4-C 2.0	4-C 0.079
F	0.8	0.031
G	6.0	0.236
H	16.0	0.63
I	18.7	0.736
J	6.0	0.236
K	16.0	0.63
L	18.7	0.736
M	8.2	0.323
N	8.0	0.315
O	2.5	0.098
P	2.0	0.079
Q	0.35	0.014
R	φ2.3	φ0.091
S	φ1.5	φ0.059

Figure A-2. Recommended Footprint of EV-9200GC-80 (for Reference only)



EV-9200GC-80-P1E

ITEM	MILLIMETERS	INCHES
A	19.7	0.776
B	15.0	0.591
C	$0.65 \pm 0.02 \times 19 = 12.35 \pm 0.05$	$0.026^{+0.001}_{-0.002} \times 0.748 = 0.486^{+0.003}_{-0.002}$
D	$0.65 \pm 0.02 \times 19 = 12.35 \pm 0.05$	$0.026^{+0.001}_{-0.002} \times 0.748 = 0.486^{+0.003}_{-0.002}$
E	15.0	0.591
F	19.7	0.776
G	$6.0 \pm 0.05$	$0.236^{+0.003}_{-0.002}$
H	$6.0 \pm 0.05$	$0.236^{+0.003}_{-0.002}$
I	$0.35 \pm 0.02$	$0.014^{+0.001}_{-0.001}$
J	$\phi 2.36 \pm 0.03$	$\phi 0.093^{+0.001}_{-0.002}$
K	$\phi 2.3$	$\phi 0.091$
L	$\phi 1.57 \pm 0.03$	$\phi 0.062^{+0.001}_{-0.002}$

**Caution** Dimensions of mount pad for EV-9200 and that for target device (QFP) may be different in some parts. For the recommended mount pad dimensions for QFP, refer to "SEMICONDUCTOR DEVICE MOUNTING TECHNOLOGY MANUAL" (C10535E).

## APPENDIX B. RELATED DOCUMENTS

## Device Documents

Document Name	Document No. (English)	Document No. (Japanese)
μPD78058F, 78058FY Subseries User's Manual	U12068E	U12068J
μPD78P058F Data Sheet	This document	U11796J
μPD78056F, 78058F Data Sheet	U11795E	U11795J
78K/0 Series User's Manual Instructions	U12326E	U12326J
78K/0 Series Instruction Set	—	U10904J
78K/0 Series Instruction Table	—	U10903J

**Caution** The contents of the above documents are subject to change without notice. Please ensure that the latest versions are used in design work, etc.

## Development Tool Documents (User's Manual)

Document Name		Document No. (English)	Document No. (Japanese)
RA78K Series Assembler Package	Operation	EEU-1399	EEU-809
	Language	EEU-1404	EEU-815
RA78K Series Structured Assembler Preprocessor		EEU-1402	U12323J
★ RA78K0 Assembler Package	Operation	U11802E	U11802J
	Assembly Language	U11801E	U11801J
	Structured Assembly Language	U11789E	U11789J
CC78K Series C Compiler	Operation	EEU-1280	EEU-656
	Language	EEU-1284	EEU-655
CC78K0 C Compiler	Operation	U11517E	U11517J
	Language	U11518E	U11518J
CC78K/0 C Compiler Application Note	Programming Know-how	EEA-1208	EEA-618
CC78K Series Library Source File		—	U12322J
PG-1500 PROM Programmer		EEU-1335	U11940J
PG-1500 Controller PC-9800 Series (MS-DOS) based		EEU-1291	EEU-704
PG-1500 Controller IBM PC Series (PC DOS) based		U10540E	EEU-5008
IE-78000-R		U11376E	U11376J
IE-78000-R-A		U10057E	U10057J
IE-78000-R-BK		EEU-1427	EEU-867
IE-78064-R-EM		EEU-1443	EEU-905
★ IE-780308-R-EM		U11362E	U11362J
EP-78230		EEU-1515	EEU-985
SM78K0 System Simulator Windows based	Reference	U10181E	U10181J
SM78K Series System Simulator	External Part User Open Interface Specifications	U10092E	U10092J
ID78K0 Integrated Debugger EWS based	Reference	—	U11151J
ID78K0 Integrated Debugger PC based	Reference	U11539E	U11539J
ID78K0 Integrated Debugger Windows based	Guide	U11649E	U11649J
SD78K/0 Screen Debugger PC-9800 Series (MS-DOS) based	Introduction	—	EEU-852
	Reference	—	U10952J
SD78K/0 Screen Debugger IBM PC/AT (PC DOS) based	Introduction	U10539E	EEU-5024
	Reference	U11279E	U11279J

**Caution** The contents of the above documents are subject to change without notice. Please ensure that the latest versions are used in design work, etc.



**Embedded Software Documents (User's Manual)**

Document Name		Document No. (English)	Document No. (Japanese)
78K/0 Series Real-time OS	Basics	U11537E	U11537J
	Installation	U11536E	U11536J
78K/0 Series OS MX78K0	Basics	U12257E	U12257J
Fuzzy Knowledge Data Input Tools		EEU-1438	EEU-829
78K/0, 78K/II, 87AD Series Fuzzy Inference Development Support System Translator		EEU-1444	EEU-862
78K/0 Series Fuzzy Inference Development Support System Fuzzy Inference Module		EEU-1441	EEU-858
78K/0 Series Fuzzy Inference Development Support System Fuzzy Inference Debugger		EEU-1458	EEU-921

**Other Documents**

Document Name	Document No. (English)	Document No. (Japanese)
IC Package Manual	C10943X	
Semiconductor Device Mounting Technology Manual	C10535E	C10535J
Quality Grades on NEC Semiconductor Devices	C11531E	C11531J
NEC Semiconductor Device Reliability/Quality Control System	C10983E	C10983J
Electrostatic Discharge (ESD) Test	—	MEM-539
Guide to Quality Assurance for Semiconductor Devices	MEI-1202	C11893J
Microcomputer Product Series Guide	—	U11416J

**Caution** The contents of the above documents are subject to change without notice. Please ensure that the latest versions are used in design work, etc.

## NOTES FOR CMOS DEVICES

### ① PRECAUTION AGAINST ESD FOR SEMICONDUCTORS

**Note:** Strong electric field, when exposed to a MOS device, can cause destruction of the gate oxide and ultimately degrade the device operation. Steps must be taken to stop generation of static electricity as much as possible, and quickly dissipate it once, when it has occurred. Environmental control must be adequate. When it is dry, humidifier should be used. It is recommended to avoid using insulators that easily build static electricity. Semiconductor devices must be stored and transported in an anti-static container, static shielding bag or conductive material. All test and measurement tools including work bench and floor should be grounded. The operator should be grounded using wrist strap. Semiconductor devices must not be touched with bare hands. Similar precautions need to be taken for PW boards with semiconductor devices on it.

### ② HANDLING OF UNUSED INPUT PINS FOR CMOS

**Note:** No connection for CMOS device inputs can be cause of malfunction. If no connection is provided to the input pins, it is possible that an internal input level may be generated due to noise, etc., hence causing malfunction. CMOS device behave differently than Bipolar or NMOS devices. Input levels of CMOS devices must be fixed high or low by using a pull-up or pull-down circuitry. Each unused pin should be connected to  $V_{DD}$  or GND with a resistor, if it is considered to have a possibility of being an output pin. All handling related to the unused pins must be judged device by device and related specifications governing the devices.

### ③ STATUS BEFORE INITIALIZATION OF MOS DEVICES

**Note:** Power-on does not necessarily define initial status of MOS device. Production process of MOS does not define the initial operation status of the device. Immediately after the power source is turned ON, the devices with reset function have not yet been initialized. Hence, power-on does not guarantee out-pin levels, I/O settings or contents of registers. Device is not initialized until the reset signal is received. Reset operation must be executed immediately after power-on for devices having reset function.

## Regional Information

Some information contained in this document may vary from country to country. Before using any NEC product in your application, please contact the NEC office in your country to obtain a list of authorized representatives and distributors. They will verify:

- Device availability
- Ordering information
- Product release schedule
- Availability of related technical literature
- Development environment specifications (for example, specifications for third-party tools and components, host computers, power plugs, AC supply voltages, and so forth)
- Network requirements

In addition, trademarks, registered trademarks, export restrictions, and other legal issues may also vary from country to country.

### **NEC Electronics Inc. (U.S.)**

Santa Clara, California  
Tel: 800-366-9782  
Fax: 800-729-9288

### **NEC Electronics (Germany) GmbH**

Duesseldorf, Germany  
Tel: 0211-65 03 02  
Fax: 0211-65 03 490

### **NEC Electronics (UK) Ltd.**

Milton Keynes, UK  
Tel: 01908-691-133  
Fax: 01908-670-290

### **NEC Electronics Italiana s.r.l.**

Milano, Italy  
Tel: 02-66 75 41  
Fax: 02-66 75 42 99

### **NEC Electronics (Germany) GmbH**

Benelux Office  
Eindhoven, The Netherlands  
Tel: 040-2445845  
Fax: 040-2444580

### **NEC Electronics (France) S.A.**

Velizy-Villacoublay, France  
Tel: 01-30-67 58 00  
Fax: 01-30-67 58 99

### **NEC Electronics (France) S.A.**

Spain Office  
Madrid, Spain  
Tel: 01-504-2787  
Fax: 01-504-2860

### **NEC Electronics (Germany) GmbH**

Scandinavia Office  
Taeby, Sweden  
Tel: 08-63 80 820  
Fax: 08-63 80 388

### **NEC Electronics Hong Kong Ltd.**

Hong Kong  
Tel: 2886-9318  
Fax: 2886-9022/9044

### **NEC Electronics Hong Kong Ltd.**

Seoul Branch  
Seoul, Korea  
Tel: 02-528-0303  
Fax: 02-528-4411

### **NEC Electronics Singapore Pte. Ltd.**

United Square, Singapore 1130  
Tel: 253-8311  
Fax: 250-3583

### **NEC Electronics Taiwan Ltd.**

Taipei, Taiwan  
Tel: 02-719-2377  
Fax: 02-719-5951

### **NEC do Brasil S.A.**

Sao Paulo-SP, Brasil  
Tel: 011-889-1680  
Fax: 011-889-1689

**FIP, IEBus, and QTOP are trademarks of NEC Corporation.**

**MS-DOS and Windows are either registered trademarks or trademarks of Microsoft Corporation in the United States and/or other countries.**

**IBM DOS, PC/AT, and PC DOS are trademarks of International Business Machines Corporation.**

**HP9000 Series 300, HP9000 Series 700, and HP-UX are trademarks of Hewlett-Packard Company.**

**SPARCstation is a trademark of SPARC International, Inc.**

**SunOS is a trademark of Sun Microsystems, Inc.**

**NEWS and NEWS-OS are trademarks of Sony Corporation.**

The export of this product from Japan is regulated by the Japanese government. To export this product may be prohibited without governmental license, the need for which must be judged by the customer. The export or re-export of this product from a country other than Japan may also be prohibited without a license from that country. Please call an NEC sales representative.

No part of this document may be copied or reproduced in any form or by any means without the prior written consent of NEC Corporation. NEC Corporation assumes no responsibility for any errors which may appear in this document.

NEC Corporation does not assume any liability for infringement of patents, copyrights or other intellectual property rights of third parties by or arising from use of a device described herein or any other liability arising from use of such device. No license, either express, implied or otherwise, is granted under any patents, copyrights or other intellectual property rights of NEC Corporation or others.

While NEC Corporation has been making continuous effort to enhance the reliability of its semiconductor devices, the possibility of defects cannot be eliminated entirely. To minimize risks of damage or injury to persons or property arising from a defect in an NEC semiconductor device, customers must incorporate sufficient safety measures in its design, such as redundancy, fire-containment, and anti-failure features.

NEC devices are classified into the following three quality grades:

"Standard", "Special", and "Specific". The Specific quality grade applies only to devices developed based on a customer designated "quality assurance program" for a specific application. The recommended applications of a device depend on its quality grade, as indicated below. Customers must check the quality grade of each device before using it in a particular application.

Standard: Computers, office equipment, communications equipment, test and measurement equipment, audio and visual equipment, home electronic appliances, machine tools, personal electronic equipment and industrial robots

Special: Transportation equipment (automobiles, trains, ships, etc.), traffic control systems, anti-disaster systems, anti-crime systems, safety equipment and medical equipment (not specifically designed for life support)

Specific: Aircrafts, aerospace equipment, submersible repeaters, nuclear reactor control systems, life support systems or medical equipment for life support, etc.

The quality grade of NEC devices is "Standard" unless otherwise specified in NEC's Data Sheets or Data Books. If customers intend to use NEC devices for applications other than those specified for Standard quality grade, they should contact an NEC sales representative in advance.

Anti-radioactive design is not implemented in this product.