

Phase-out/Discontinued

RING TONE GENERATOR LSI (WITH SURROUND SOUND) FOR MOBILE PHONES

DESCRIPTION

The μPD9991 is a mobile phone ring tone generator LSI that includes an on-chip surround sound function.

FEATURES

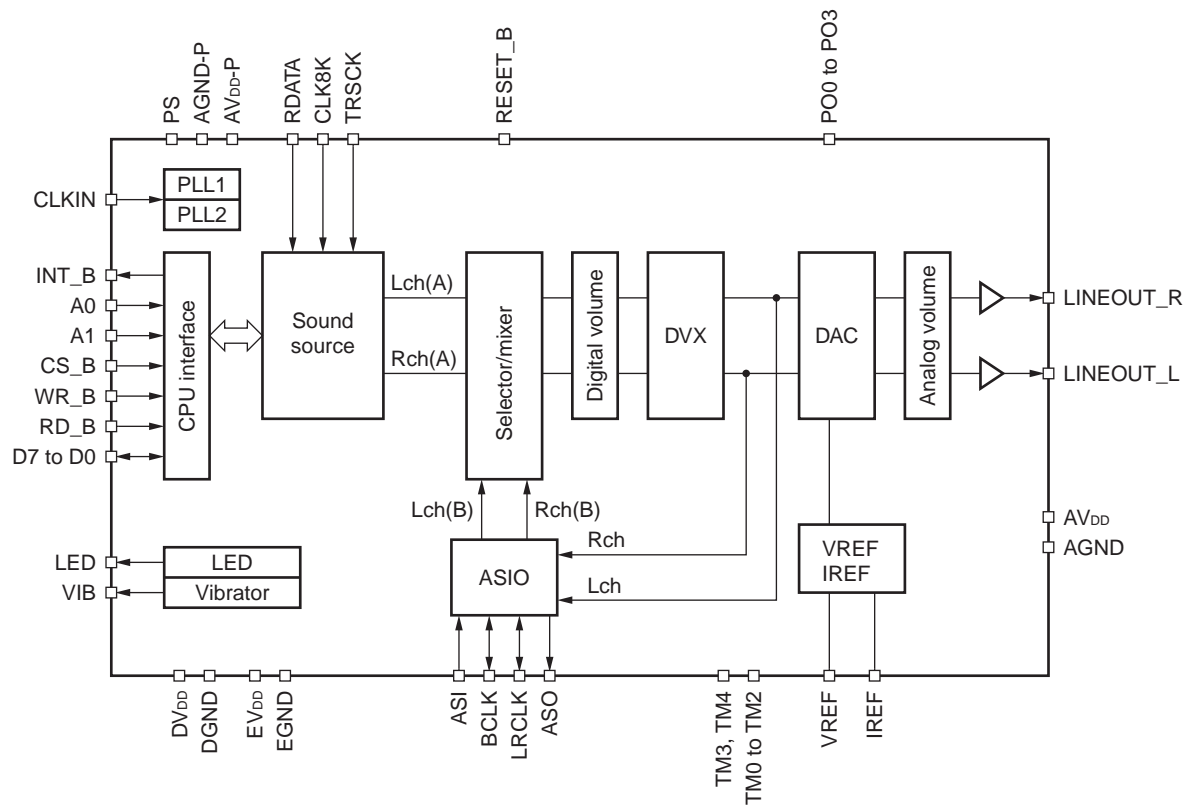
- PCM sound generation method provides realistic sound reproduction
- Up to 68 tones can be played at the same time, so an abundant variety of tunes can be generated and played
- Implements ADPCM decode functions. Simultaneous playback with MIDI is also enabled.
- Includes a high-performance D/A converter with 16-bit resolution
- Supports five sampling frequency modes: 8 kHz, 16 kHz, 32 kHz, 44.1 kHz, and 48 kHz (ASI only)
- Provides audio serial I/O interface (16 bits).
The serial data input frequency is variable between 32 fs and 64 fs (during slave mode).
Supported formats are right-justified, left-justified, and IIS.
- Includes function for mixing PCM sound source output signals and audio serial input signals (only fs = 32 kHz sampling is supported).
- Includes a surround function that uses real-time processing (to produce surround effects based on real-time processing for all sources including PCM sound sources and audio serial input).
- Host CPU is connected via an 8-bit parallel interface.
- Includes output control functions for vibrator and LED
- PLL is built-in, so various types of input clocks can be supported.
- I/O power supply voltage: 3 V (Digital pins support 3 V and 1.8 V.)
- Power supply voltages: DV_{DD}: 1.425 to 1.575 V, EV_{DD}: 1.71 to 3.3 V, AV_{DD}: 2.85 to 3.15 V,
AV_{DD}-P: 2.85 to 3.15 V
- 65-pin tape FBGA package (6 × 6 mm body size, 0.5 ball pitch)

ORDERING INFORMATION

Part number	Package
μPD9991F9-BA1	65-pin tape FBGA (6 × 6)

The information in this document is subject to change without notice. Before using this document, please confirm that this is the latest version.
Not all products and/or types are available in every country. Please check with an NEC Electronics sales representative for availability and additional information.

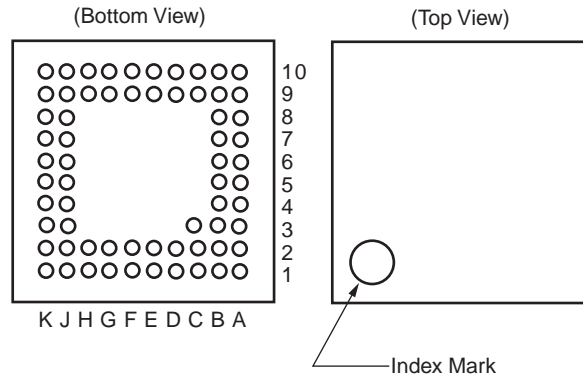
BLOCK DIAGRAM



Remark DVX: DiMAGIC Virtualizer X

PIN CONFIGURATION

- 65-pin tape FBGA (6 × 6)
μPD9991F9-BA1



Pin No.	Pin Name	Pin No.	Pin Name	Pin No.	Pin Name	Pin No.	Pin Name
1A	Shorted with 1K pin	2H	CLKIN	6A	EGND	9E	RESET_B
1B	N.C	2J	N.C	6B	PS	9F	D7
1C	LINEOUT_L	2K	N.C	6J	CS_B	9G	D5
1D	AGND	3A	TM3	6K	A0	9H	D3
1E	AV _{DD}	3B	TM2	7A	ASI	9J	N.C
1F	LINEOUT_R	3C	N.C	7B	ASO	9K	DV _{DD}
1G	AGND	3J	PO1	7J	RD_B	10A	Shorted with 10K pin
1H	AGND-P	3K	PO0	7K	WR_B	10B	N.C
1J	N.C	4A	RDATA	8A	LRCLK	10C	LED
1K	Shorted with 1A pin	4B	TM4	8B	BCLK	10D	DV _{DD}
2A	N.C	4J	PO3	8J	D1	10E	INT_B
2B	N.C	4K	PO2	8K	D0	10F	D6
2C	TM0	5A	TRSCK	9A	DV _{DD}	10G	D4
2D	IREF	5B	CLK8K	9B	N.C	10H	D2
2E	VREF	5J	A1	9C	EV _{DD}	10J	DGND
2F	TM1	5K	DGND	9D	VIB	10K	Shorted with 10A pin
2G	AV _{DD} -P						

PIN NAME

A0, A1:	Address	IREF:	Current reference for DAC
ASI:	Audio serial data input	LED:	LED control output
AV _{DD} :	Power supply for analog block	LINEOUT_L:	Line out (L ch)
AV _{DD} -P:	Power supply for PLL	LINEOUT_R:	Line out (R ch)
AGND:	Ground for analog block	LRCLK:	Left right clock input/output
AGND-P:	Ground for PLL	PO0 to PO3:	Peripheral output
BCLK:	Bit clock input/output	PS:	Parallel serial select
CS_B:	Chip select	RD_B:	Read
CLK8K:	Sync clock input for RDATA	RDATA:	Record data
CLKIN:	Clock input	RESET_B:	Reset
D0 to D7:	Data bus	TM0 to TM2:	Test mode input
DV _{DD} :	Power supply for digital block	TM3, TM4:	Test mode I/O
DGND:	Ground for digital block	TRSCK:	Clock input for RDATA
EV _{DD} :	Power supply for I/O pins	VIB:	Vibration control output
EGND:	Ground for I/O pins	VREF:	Voltage reference for DAC
INT_B:	Interruption	WR_B:	Write

CONTENTS

- 1. PIN FUNCTIONS.....8**
 - 1.1 Pin Configuration8
 - 1.2 Explanation of Pin Functions9
 - 1.3 Connection of Unused Pins13
 - 1.4 Initial State of Pins13
 - 1.5 Pin Status.....14

- 2. GENERAL DESCRIPTION.....16**

- 3. HOST CPU INTERFACE.....18**
 - 3.1 Write Access.....18
 - 3.2 Read Access.....19

- 4. AUDIO SERIAL INTERFACE.....20**

- 5. ADPCM INPUT INTERFACE.....21**
 - 5.1 CLK8K21
 - 5.2 TRSCK and RDATA.....21
 - 5.2.1 Serial recording interface.....21

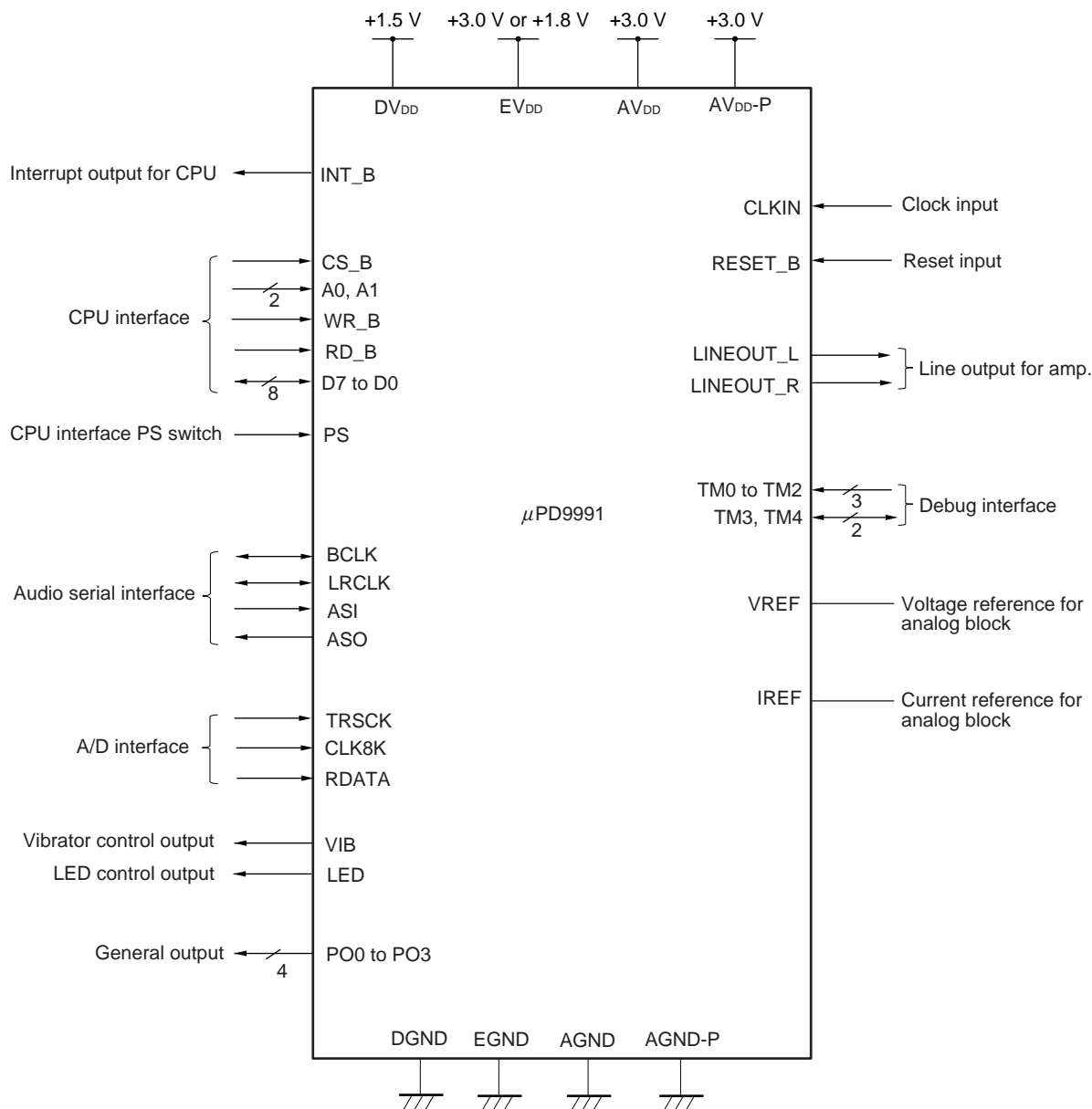
- 6. REGISTERS (OTHER THAN SOUND SOURCE REGISTERS).....22**
 - 6.1 Standby Setting (STNBY)23**
 - 6.1.1 STDIG23
 - 6.1.2 STPLL223
 - 6.1.3 STPLL123
 - 6.1.4 STASI23
 - 6.1.5 STASO23
 - 6.1.6 STSYNTH.....24
 - 6.1.7 STDAC24
 - 6.1.8 STREF24
 - 6.2 Master Clock Switching (MCLK1A, MCLK1B, MCLK2A, MCLK2B)25**
 - 6.2.1 MCLK1A[6:0]25
 - 6.2.2 MCLK1B[7:0]25
 - 6.2.3 MCLK2A[4:0]25
 - 6.2.4 MCLK2B[7:0]25
 - 6.3 Switching/Mixing of Surround Block Input Source (SLSORCE)28**
 - 6.3.1 SLSORCE28
 - 6.3.2 MIX.....28
 - 6.4 Surround On/Off Switching (ENSRD).....28**
 - 6.4.1 ENSRD[1:0].....28
 - 6.5 Fs Switching and BCLK Switching for ASIO (SLFS)29**
 - 6.5.1 FS[2:0].....29
 - 6.5.2 BFS[4:0]29
 - 6.6 ASIO Mode Setting (SLASI).....30**
 - 6.6.1 SLR30

6.6.2	MS	30
6.6.3	ASIM.....	30
6.6.4	LRCLK.....	30
6.7	Digital Volume (L) Setting (DAULGA).....	31
6.7.1	DAULGA[4:0]	31
6.8	Digital Volume (R) Setting (DAURGA).....	31
6.8.1	DAURGA[4:0].....	31
6.9	Analog Volume (L ch) Setting (AAULGA)	32
6.9.1	AAULGA[4:0]	32
6.10	Analog Volume (R ch) Setting (AAURGA)	32
6.10.1	AAURGA[4:0].....	32
6.11	VIB and LED Settings (VIB)	33
6.11.1	LED	33
6.11.2	VIB.....	33
6.12	Setting of General-Purpose Output Pins (POUT).....	33
6.12.1	POUT0 to POUT3.....	33
6.13	LSI Version (VER)	33
6.13.1	VER[1:0]	33
6.14	Surround Coefficient Write Register (for Speaker) (SPSRDW1, SPSRDW2)	34
6.14.1	SPSRDW1[7:0]	34
6.14.2	SPSRDW2[7:0]	34
6.15	Surround Coefficient Write Register (for Headphones) (HPSRDW1, HPSRDW2)	34
6.15.1	HPSRDW1[7:0].....	34
6.15.2	HPSRDW2[7:0].....	34
6.16	Surround Coefficient Read Register (for Speaker) (SPSRDR1, SPSRDR2)	35
6.16.1	SPSRDR1[7:0].....	35
6.16.2	SPSRDR2[7:0].....	35
6.17	Surround Coefficient Read Register (for Headphones) (HPSRDR1, HPSRDR2)	35
6.17.1	HPSRDR1[7:0]	35
6.17.2	HPSRDR2[7:0]	35
6.18	Surround Mode Setting Register (SRDRA).....	36
6.18.1	SRDRA[7:0].....	36
7.	POWER STARTUP PROCEDURE.....	37
7.1	Power Application Sequence	37
7.2	Shutdown Sequence	37
8.	POWER SAVING FUNCTION	37
8.1	Software Power Saving Function (command-driven).....	37
8.2	Hardware Power Saving Function (by powering down the power supply).....	37
9.	SETTING SEQUENCE	38
9.1	Power Application	38
9.2	Basic Sequence for Switching Among Operation Modes.....	38
9.2.1	Mute	39
9.2.2	Standby	39
9.2.3	FS switching	39
9.2.4	Path switching.....	39

- 9.2.5 Surround switching 40
- 9.2.6 Set ASIO mode 40
- 9.2.7 RAM access 40
- 9.3 Setting Sequence Example 41**
 - 9.3.1 Sound source-DAC output..... 41
 - 9.3.2 Sound source-ASO output..... 41
 - 9.3.3 ASI-DAC output 42
 - 9.3.4 ASI-ASO output..... 42
- 9.4 Relation Between Setting Modes and Internal Operations
(Relation with Synchronization Clock) 43**
- 10. STANDBY MODE 44**
 - 10.1 Clock Supply..... 44
- 11. REFERENCE SCHEMATICS 45**
 - 11.1 Line Out Pins (LINEOUT_L and LINEOUT_R) 45
 - 11.2 Reference Power Supply Voltage and Current Supply Pins (VREF and IREF)..... 45
 - 11.3 Power Supply..... 46
 - 11.4 Pin Outline Schematics 47
- 12. ELECTRICAL SPECIFICATIONS 48**
 - 12.1 Absolute Maximum Ratings 48
 - 12.2 Recommended Operating Conditions 48
 - 12.3 Capacitance 48
 - 12.4 DC Characteristics 49
 - 12.5 AC Characteristics 50
 - 12.5.1 Clock 50
 - 12.5.2 Reset..... 50
 - 12.5.3 Host interface 51
 - 12.5.4 Audio serial interface 53
 - 12.6 Analog Characteristics 55
 - 12.7 Mode-Specific Current Consumption Characteristics 56
- 13. PACKAGE DRAWING 57**
- 14. RECOMMENDED SOLDERING CONDITIONS..... 58**

1. PIN FUNCTIONS

1.1 Pin Configuration



1.2 Explanation of Pin Functions

(1) Power supply pins

Pin Name	Pin No.	I/O	Function
DV _{DD}	9A, 9K, 10D	–	Power supply (1.5 V) for digital block Be sure to connect a 0.1 μF capacitor between this pin and DGND.
DGND	5K, 10J	–	Ground for digital block
EV _{DD}	9C	–	Power supply (3 V or 1.8 V) for I/O Be sure to connect a 0.1 μF capacitor between this pin and EGND. Use a different power supply to the analog power supply.
EGND	6A	–	Ground for I/O
AV _{DD}	1E	–	Power supply (3 V) for analog Be sure to connect a 0.1 μF capacitor between this pin and AGND.
AGND	1D, 1G	–	Ground for analog block
AV _{DD} -P	2G	–	Power supply (3 V) for PLL Be sure to connect a 0.1 μF capacitor between this pin and AGND-P.
AGND-P	1H	–	Ground for PLL block
VREF	2E	–	Reference voltage for analog block Be sure to connect a 0.22 μF capacitor between this pin and AGND.
IREF	2D	–	Reference current for analog block Be sure to connect a 56 kΩ resistor between this pin and AGND.

(2) Clock and system control pins

Pin Name	Serial No.	I/O	Function
CLKIN	2H	Input	Clock input (2.688 to 16.128 MHz) This is the reference clock input that is used to generate the internal master clock. Be sure to input using capacitive coupling (1000 pF).
RESET_B	9E	Input	Hardware reset input signal. This resets the μPD9991. Registers are initialized to their initial values after a reset.

(3) Host interface pins

Pin Name	Pin No.	I/O	Function
A0	6K	I/O	Host interface address A0 signal input This input pin indicates the internal register address or data during host CPU access. 1: When transferring data 0: When setting address of internal register to be accessed
A1	5J	Input	Host interface address A1 signal input This input pin selects the access destination register during host CPU access. 1: Sound source block register 0: Other block register
CS_B	6J	Input	Chip select input This is the input pin for the host interface select signal. This pin is set as active (low) while the host CPU accesses a host interface register.
RD_B	7J	Input	Host read input This pin is set as active (low) while the host CPU reads a host interface register. Do not set this pin and the WR_B pin as active at the same time.
WR_B	7K	Input	Host write input This pin is set as active (low) while the host CPU writes to a host interface register. Do not set this pin and the RD_B pin as active at the same time.
D0 to D7	8K, 8J, 10H, 9H, 10G, 9G, 10F, 9F	I/O	8-bit host data bus When the host CPU accesses the μPD9991, address and data I/O is performed. When the CS_B signal is inactive (high), this bus is set to high impedance.
INT_B	10E	Output	Host interrupt output This interrupt signal is transmitted from the μPD9991 to the host CPU. This is used when requesting transmit/receive signals during data transfer or internal status notification. Remark This is used only for sound source block control.

(4) External LED, motor control output pins

Pin Name	Pin No.	I/O	Function
LED	10C	Output	External LED control output (drive output: See 12.4 DC Characteristics) This is the port output pin. Settings are entered by writing values to the port setting register from the host CPU. Leave this pin open when not used.
VIB	9D	Output	External motor control output (drive output: See 12.4 DC Characteristics) This is the port output pin. Settings are entered by writing values to the port setting register from the host CPU. Leave this pin open when not used.

(5) Audio serial interface pins

Pin Name	Pin No.	I/O	Function
BCLK	8B	I/O	Bit synchronization clock I/O for audio serial This pin is used to input or output a clock that is 64 times the sampling frequency (8 kHz, 16 kHz, 32 kHz, 44.1 kHz, or 49 kHz) that has been set as the clock for serial transfers. Connect this pin to GND when not used.
LRCLK	8A	I/O	Audio serial frame synchronization clock I/O This pin is used to input or output a frame sync signal for serial transfers. Connect this pin to GND when not used.
ASO	7B	Output	Audio serial data output The audio serial data's frame size is set via registers. During master mode, either 64 bits or 32 bits can be selected. During slave mode, selections can be made in 2-bit steps within a range from 32 to 64 bits. Leave this pin open when not used.
ASI	7A	Input	Audio serial data input The audio serial data's frame size is set via registers. During master mode, either 64 bits or 32 bits can be selected. During slave mode, selections can be made in 2-bit steps within a range from 32 to 64 bits. Leave this pin open when not used. Pull-down is performed internally.

(6) ADPCM interface pins

Pin Name	Pin No.	I/O	Function
TRSCK	5A	Input	Serial clock input for ADPCM recording Pull-down is performed internally. Leave this pin open when not used.
CLK8K	5B	Input	Synchronization clock input for ADPCM recording Pull-down is performed internally. Leave this pin open when not used.
RDATA	4A	Input	Data input for ADPCM recording Pull-down is performed internally. Leave this pin open when not used.

(7) DAC, line out output pins

Pin Name	Pin No.	I/O	Function
LINEOUT_L	1C	Output	Sound source line out (L ch) output This pin outputs the left-channel analog signal for the μPD9991's line out function.
LINEOUT_R	1F	Output	Sound source line out (R ch) output This pin outputs the right-channel analog signal for the μPD9991's line out function.

(8) General-purpose external output pins

Pin Name	Pin No.	I/O	Function
PO0 to PO3	3K, 3J, 4K, 4J	Output	General-purpose external output pins These pins can be used to output control signals to peripheral devices.

(9) Test pins

Pin Name	Pin No.	I/O	Function
TM0 to TM2	2C, 2F, 3B	Input	Input for test Leave open or connect to GND. Pull-down is performed internally.
TM3, TM4	3A, 4B	I/O	I/O for test Leave open.
PS	6B	Input	Parallel/serial setting input (for testing) This pin should be either left open or connected to GND. Pull-down is performed internally.

1.3 Connection of Unused Pins

It is recommended to connect the unused pins as shown in the table below.

Pin Name	I/O	Recommended Connection
VIB	Output	Leave open.
LED	Output	Leave open.
LRCLK	I/O	Connect to GND.
BCLK	I/O	Connect to GND.
ASI	Input	Leave open.
ASO	Output	Leave open.
TM0 to TM2	Input	Leave open.
TM3, TM4	I/O	Leave open.
TRSCK	Input	Leave open.
CLK8K	Input	Leave open.
RDATA	Input	Leave open.
PO0 to PO3	Output	Leave open.

1.4 Initial State of Pins

Pin Name	I/O	During Reset	After Reset
VIB	Output	Bus hold	Low-level output
LED	Output	Bus hold	Low-level output
INT_B	Output	High-level output	High-level output
ASO	Output	Hi-Z	Hi-Z
BCLK	I/O	Hi-Z	Input
LRCLK	I/O	Hi-Z	Input
TM3, TM4	I/O	Hi-Z	Low-level output
PO0 to PO3	Output	Hi-Z	Low-level output
D7 to D0	I/O	Hi-Z	Input

1.5 Pin Status

The μPD9991's pin status table is shown below.

(1/2)

Pin No.	I/O	Analog/ Digital	Pin Name	Standby Status		Reset Status (RESET_B = Low)		After Reset
				Control Signal	Pin Status	Control Signal	Pin Status	
2F	Input	Digital	TM1	None	Input	None	Input	Input
2C	Input	Digital	TM0	None	Input	None	Input	Input
1C	Output	Analog	LINEOUT_L	STDAC	Hi-Z	STDAC	Hi-Z	Hi-Z
1D	–	Analog	AGND	–	–	–	–	–
2D	Output	Analog	IREF	STREF	Hi-Z	STREF	Hi-Z	Hi-Z
2E	Output	Analog	VREF	STERF	Hi-Z	STERF	Hi-Z	Hi-Z
1E	–	Analog	AV _{DD}	–	–	–	–	–
1F	Output	Analog	LINEOUT_R	STDAC	Hi-Z	STDAC	Hi-Z	Hi-Z
1G	–	Analog	AGND	–	–	–	–	–
1H	–	Analog	AGND-P	–	–	–	–	–
2H	Input	Analog	CLKIN	STPLL1&2	Hi-Z	STPLL1&2	Hi-Z	Hi-Z
2G	–	Analog	AV _{DD} -P	–	–	–	–	–
3K	I/O	Digital	PO0	None	Note 1	RESET_B	BUS HOLD	Low output ^{Note2}
3J	I/O	Digital	PO1	None	Note 1	RESET_B	BUS HOLD	Low output ^{Note2}
4K	I/O	Digital	PO2	None	Note 1	RESET_B	BUS HOLD	Low output ^{Note2}
4J	I/O	Digital	PO3	None	Note 1	RESET_B	BUS HOLD	Low output ^{Note2}
5K	–	Digital	DGND	–	–	–	–	–
5J	Input	Digital	A1	None	Input	None	Input	Input
6K	I/O	Digital	A0	None	Input	None	Input	Input
9K	–	Digital	DV _{DD}	–	–	–	–	–
6J	Input	Digital	CS_B	None	Input	None	Input	Input
7K	Input	Digital	WR_B	None	Input	None	Input	Input
7J	Input	Digital	RD_B	None	Input	None	Input	Input
8K	I/O	Digital	D0	None	Input	RESET_B	Hi-Z	Input
8J	I/O	Digital	D1	None	Input	RESET_B	Hi-Z	Input
10H	I/O	Digital	D2	None	Input	RESET_B	Hi-Z	Input
9H	I/O	Digital	D3	None	Input	RESET_B	Hi-Z	Input
10G	I/O	Digital	D4	None	Input	RESET_B	Hi-Z	Input
9G	I/O	Digital	D5	None	Input	RESET_B	Hi-Z	Input
10F	I/O	Digital	D6	None	Input	RESET_B	Hi-Z	Input
9F	I/O	Digital	D7	None	Input	RESET_B	Hi-Z	Input
10J	–	Digital	DGND	–	–	–	–	–
10E	Output	Digital	INT_B	None	Output	RESET_B	High output	High output
9E	Input	Digital	RESET_B	None	Input	None	Input	Input
10D	–	Digital	DV _{DD}	–	–	–	–	–
9D	Output	Digital	VIB	None	Note 3	RESET_B	BUS HOLD	Low output ^{Note2}
10C	Output	Digital	LED	None	Note 3	RESET_B	BUS HOLD	Low output ^{Note2}

Notes 1. Differs according to register setting. See **6.12 Setting of General-Purpose Output Pins.**

2. Registers are reset to initial values, so signals with levels corresponding to initial values are output.

3. Differs according to register setting. See **6.11 VIB and LED Settings.**

(2/2)

Pin No.	I/O	Analog/ Digital	Pin Name	Standby Status		Reset Status (RESET_B = Low)		After Reset
				Control Signal	Pin Status	Control Signal	Pin Status	
9C	–	Digital	EV _{DD}	–	–	–	–	–
8A	I/O	Digital	LRCLK	STASI, STASO	Note	RESET_B	Hi-Z	Input
8B	I/O	Digital	BCLK	STASI, STASO	Note	RESET_B	Hi-Z	Input
7A	Input	Digital	ASI	STASI, STASO	Note	None	Input	Input
7B	Output	Digital	ASO	STASI, STASO	Note	RESET_B	Hi-Z	Hi-Z
6A	–	Digital	EGND	–	–	–	–	–
9A	–	Digital	DV _{DD}	–	–	–	–	–
6B	Input	Digital	PS	None	Input	None	Input	Input
5A	Input	Digital	TRSCK	None	Input	None	Input	Input
5B	Input	Digital	CLK8K	None	Input	None	Input	Input
4A	Input	Digital	RDATA	None	Input	None	Input	Input
4B	I/O	Digital	TM4	STDIG	Low output	RESET_B	Hi-Z	Low output
3A	I/O	Digital	TM3	STDIG	Low output	RESET_B	Hi-Z	Low output
3B	Input	Digital	TM2	None	Input	None	Input	Input

Note For description of the status of the LRCLK, BCLK, ASI, and ASO pins during standby mode, see **Table 1-1**.

Table 1-1. Pin Status in ASIO Block

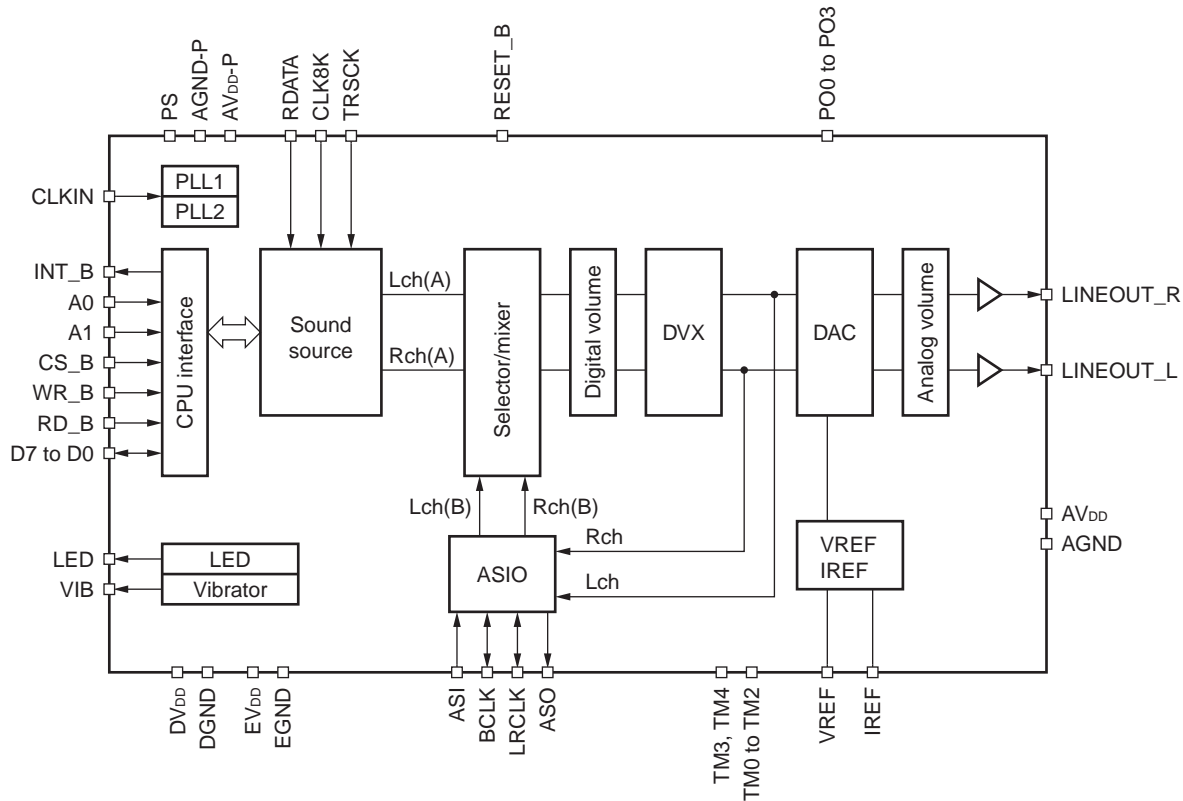
Pin No.	I/O	Analog/ Digital	Pin Name	MS = 0 (Slave)				MS = 1 (Master)			
				[STASI, STASO]				[STASI, STASO]			
				[0, 0]	[0, 1]	[1, 0]	[1, 1]	[0, 0]	[0, 1]	[1, 0]	[1, 1]
8A	I/O	Digital	LRCLK	Input ^{Note}	Input	Input	Input	Fixed to low	Output	Output	Output
8B	I/O	Digital	BCLK	Input ^{Note}	Input	Input	Input	Fixed to low	Output	Output	Output
7A	Input	Digital	ASI	Invalid	Invalid	Input	Input	Invalid	Invalid	Input	Input
7B	Output	Digital	ASO	Hi-Z	Output	Hi-Z	Output	Hi-Z	Output	Hi-Z	Output

Note Fixed to low level internally

- Remarks**
- MS is bit D2 in the SLASI register (08H). See **6.6 ASIO Mode Setting**.
 - STASI and STASO are bits D4 and D3 in the STNBY register (00H). See **6.1 Standby Setting**.

2. GENERAL DESCRIPTION

Figure 2-1. Block Diagram



(1) PLL1, PLL2 (CLKIN pin)

Clock input in the range from 2.688 to 16.128 MHz is supported.

In this block, when a clock with a frequency in this range is input, it is multiplied by the PLL to generate the fixed frequency clock that is required internally. PLL1 generates the clock signals required by all blocks except for the sound source block, and PLL2 generates the clock signal for the sound source block.

(2) CPU interface

This connects to the host CPU via an 8-bit parallel interface.

(3) Vibrator, LED control output port

This is an output port for the LEDs and vibrator.

(4) PCM sound source block

A PCM sound source for generation of up to 64 simultaneous tones is on chip, along with a sequencer. The sampling frequency is 32 kHz. The ADPCM's playback function is also on chip. The sampling frequency options are 8 kHz × 4 channels, 16 kHz × 2 channels, and 32 kHz × 1 channel.

(5) Audio serial I/O interface

This is an I/O interface for external audio data.

Five sampling frequency modes are supported: 8 kHz, 16 kHz, 32 kHz, 44.1 kHz, and 48 kHz
(initial value is 32 kHz).

The serial data input frequency is variable between 32 fs and 64 fs (during slave mode).

(6) Selector/mixer

This block is used to switch among or mix sound sources and audio serial input.

(7) DVX (surround)

This block performs real-time surround processing.

(8) DAC

This block converts digital signals (from sound sources or audio serial input) to analog signals. This DAC (D/A converter) is a high-performance stereo DAC with 16-bit resolution.

3. HOST CPU INTERFACE

The access method from the host CPU interface is described below.

3.1 Write Access

During write access, data is written to the μPD9991 from the system. The write access timing is shown in Figures 3-1 and 3-2.

- A0 is used to distinguish between address write cycles and data write cycles.
- A1 is used to distinguish between register access for sound sources and register access for other purposes (0: Other than sound source, 1: Sound source).
- In the address write cycle, the data write address is assigned to bits D7 to D0.
- Operation is based on detection of the rising edge of WR_B by the system clock.

Caution Be sure to fix the RD_B pin to high level during address write cycles and data write cycles.

Figure 3-1. Write Access (Single Access)

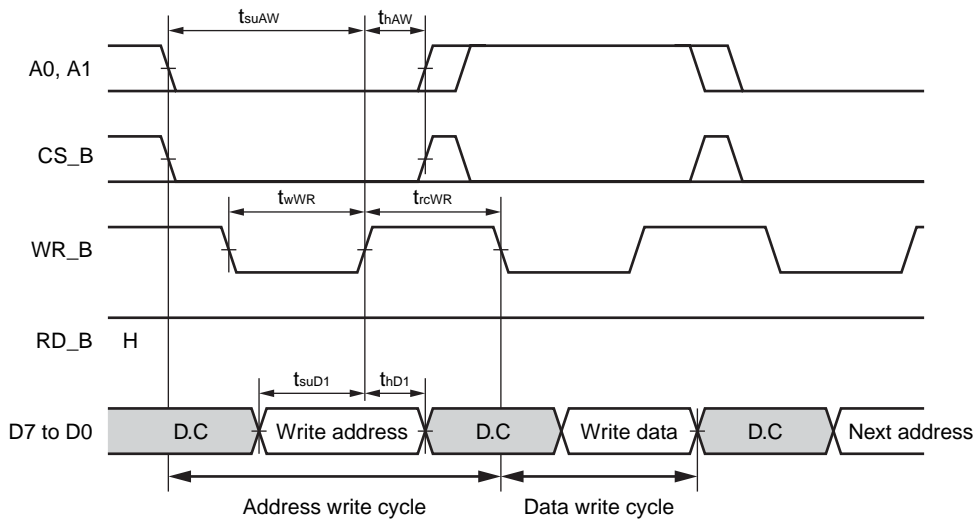
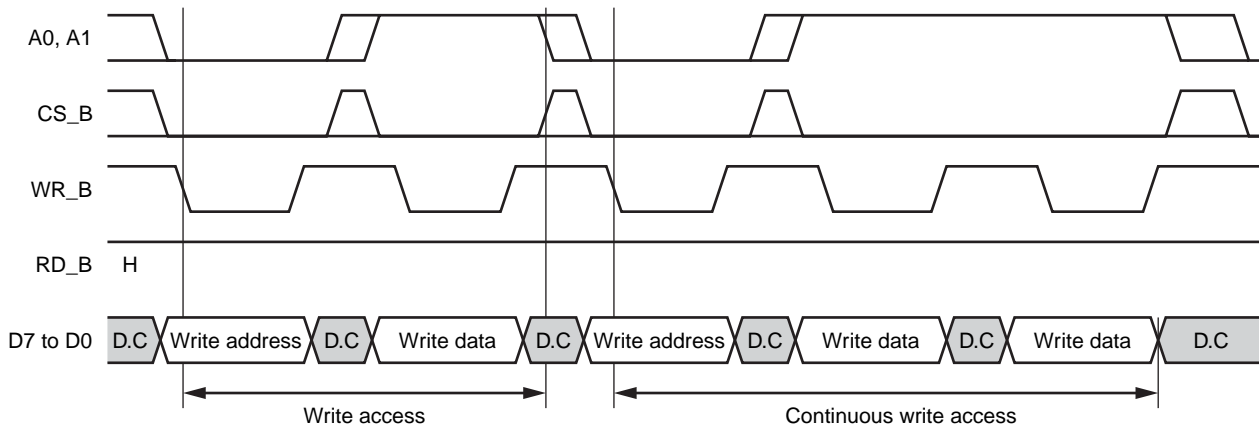


Figure 3-2. Write Access (Continuous Access)



Remark Set the CS_B pin to low level during the write period. It is not necessary to always set the CS_B pin to low level during continuous write access.

D.C.: Don't care

3.2 Read Access

During read access, data is read from the system by the μPD9991. The read access timing is shown below.

- A0 is used to distinguish between address write cycles and data read cycles.
- A1 is used to distinguish between register access for sound sources and register access for other purposes (0: Other than sound source, 1: Sound source).
- Operation is based on detection of the rising edge of WR_B and RD_B by the system clock.
- In the address write cycle, the data write address is assigned to bits D7 to D0.

Figure 3-3. Read Access (Single Access)

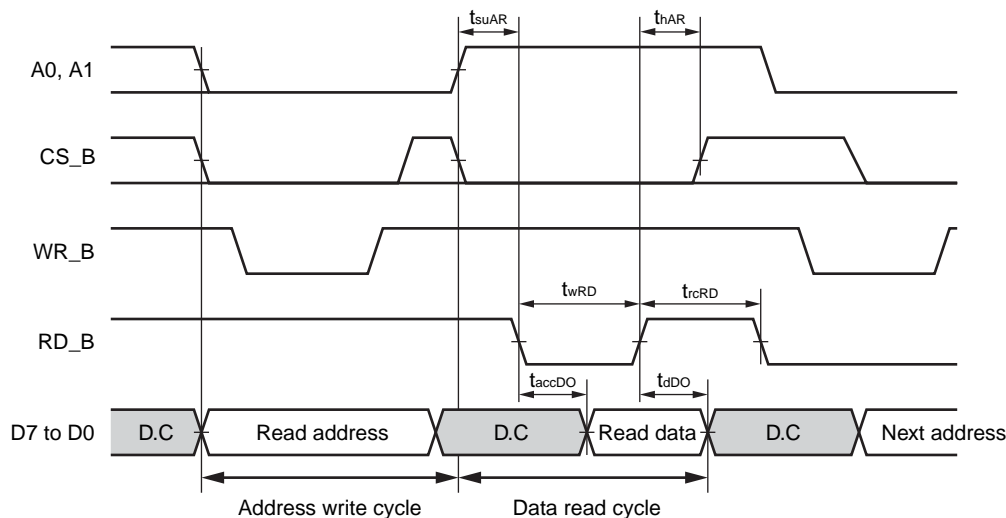
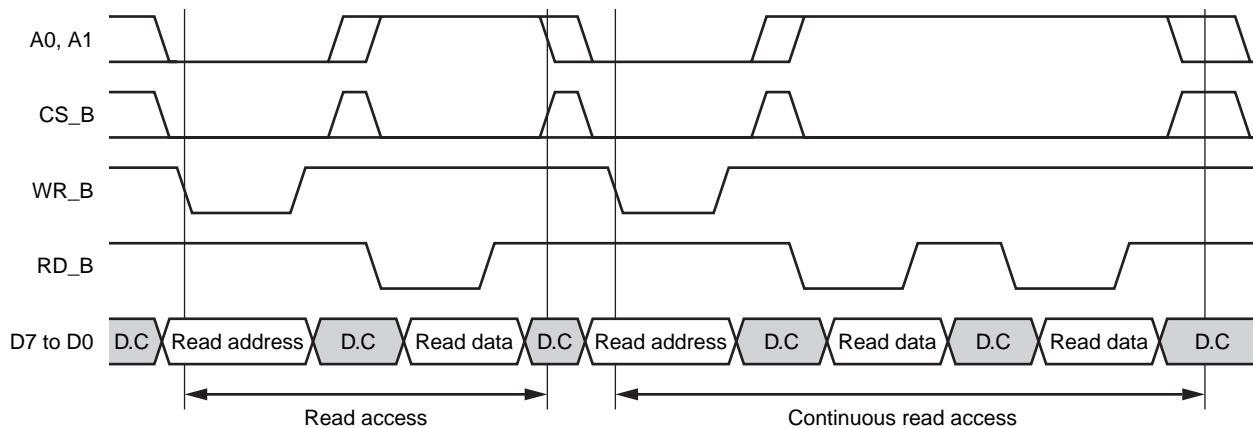


Figure 3-4. Read Access (Continuous Access)



Remark Set the CS_B pin to low level during the read period. It is not necessary to always set the CS_B pin to low level during continuous read access.

D.C: Don't care

4. AUDIO SERIAL INTERFACE

When LRCLK = 0 in the SLASI register (08H), L-ch data is assigned during the high-level period of LRCLK and R-ch data is assigned during the low-level period of LRCLK. For IIS format, this is reversed, in which case LRCLK = 1 should be set.

Within each of these periods, the format can be switched among right-justified, left-justified, and IIS format. Selection of master mode or slave mode is also enabled. The number of data bits per frame can be set via the BFS[4:0] bits in the SFSL register (07H).

The serial input/output timing is shown in Figures 4-1 to 4-3.

Figure 4-1. Right-justified Format

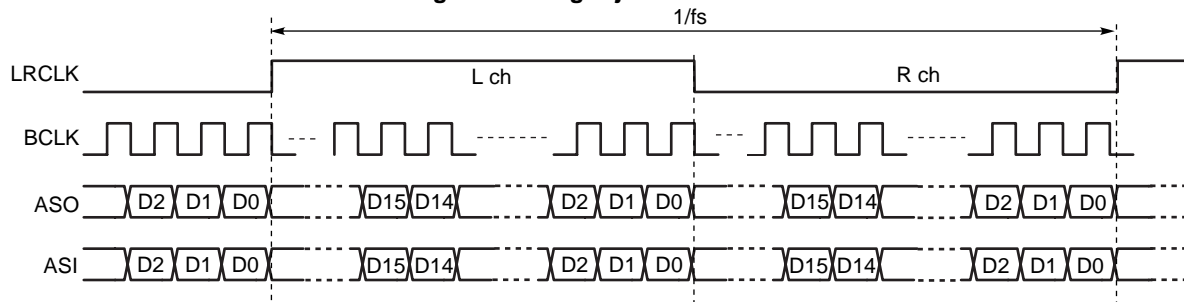


Figure 4-2. Left-justified Format

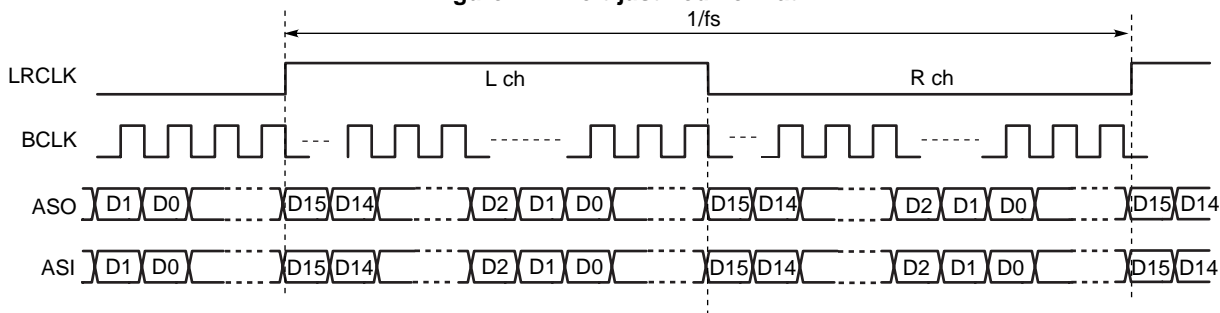
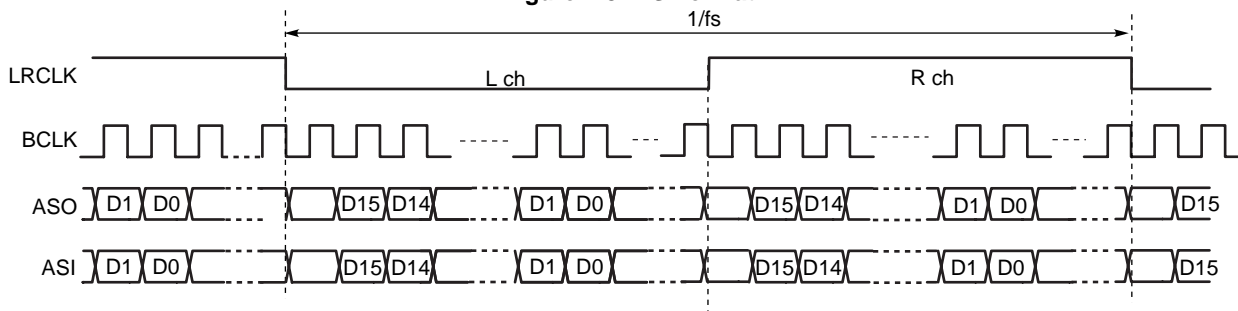


Figure 4-3. IIS Format



- Remarks 1.** The IIS format is left-justified with one empty bit and sets L-ch to low level and R-ch to high level. Do not specify other settings when selecting IIS mode (ASIM = 1 in SLASI register (08H)). When selecting LR mode (ASIM = 0 in SLASI register (08H)), left or right justification can be selected in combination with normal or reversed left-right format.
- 2.** The number of data bits per frame can be set via the BFS[4:0] bits in the SFSL register (07H). During master mode, either 64 bits or 32 bits can be selected. During slave mode, any value between 32 bits and 64 bits can be selected in two-bit increments. After a reset is cleared, the default frame configuration setting is 64 bits total (32 bits for L-ch and 32 bits for R-ch).

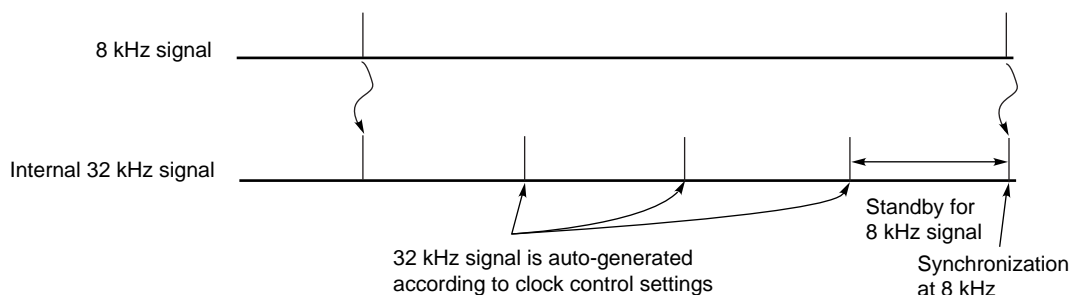
5. ADPCM INPUT INTERFACE

5.1 CLK8K

This is the input pin for the clock signal used for external 8 kHz synchronization when recording. During playback, this clock signal is generated based on a 32 kHz signal generated in the μPD9991, and during recording this signal is generated based on an 8 kHz clock signal input from an external source.

Caution If an 8 kHz synchronization clock signal is not being input from an external source during recording, the recorded data cannot be saved.

Figure 5-1. Synchronization During ADPCM Recording



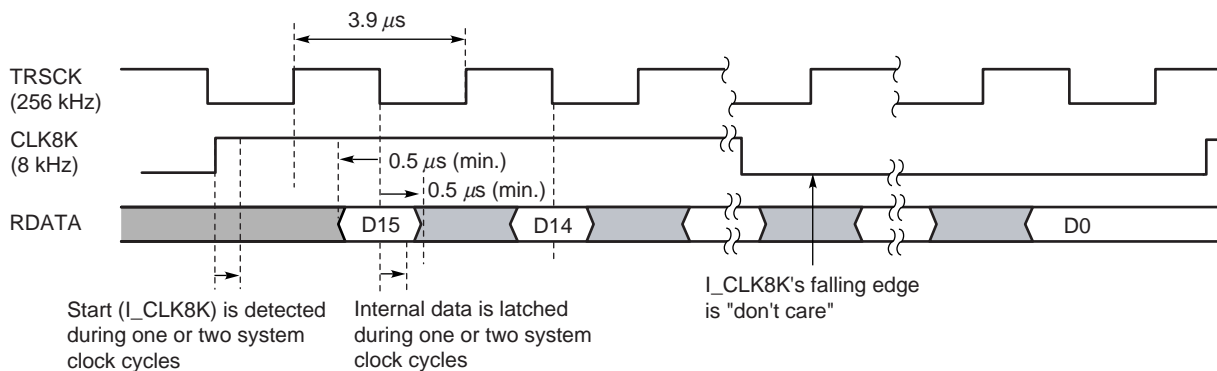
5.2 TRSCK and RDATA

The ADPCM input interface is an external synchronous serial interface used for input and output of linear PCM data.

5.2.1 Serial recording interface

The timing of the external synchronous serial interface is shown below.

Figure 5-2. Timing of External Synchronous Serial Interface



Transfer of ADPCM recorded data is performed in synchronization with an external 8 kHz sync signal and an external serial clock. Latching of data is performed at the falling edge of the serial clock and data is latched MSB first in 16-bit segments. In the case of 16-bit linear PCM data (two's complement format), all 16 bits are valid, but in the case of μ-law 8-bit PCM data, the higher 8 bits are ignored and only the lower 8 bits contain valid data.

Caution Input to the CLK8K pin is detected only at the rising edge.

6. REGISTERS (OTHER THAN SOUND SOURCE REGISTERS)

Registers other than sound source registers are described below.

Caution Information on sound source registers will be disclosed only to parties that have signed an NDA (Non Disclosure Agreement).

Table 6-1. List of Control Registers

Address	R/W	D7	D6	D5	D4	D3	D2	D1	D0	Initial Value	Control Description	Register Name	
00H	R/W	STDIG	STPLL2	STPLL1	STASI	STASO	STSYNTH	STDAC	STREF	00H	LSI standby setting	STNBY	
01H	R/W	-	MCLK1A[6:0]								1CH	Master clock setting 1	MCLK1A
02H	R/W	MCLK1B[7:0]								80H	Master clock setting 1	MCLK1B	
03H	R/W	-	-	-	MCLK2A[4:0]						02H	Master clock setting 2	MCLK2A
04H	R/W	MCLK2B[7:0]								27H	Master clock setting 2	MCLK2B	
05H	R/W	-	-	-	-	-	-	MIX	SLSORCE	00H	Source input and mixing settings	SLSORCE	
06H	R/W	-	-	-	-	-	-	ENSRD[1:0]		00H	Surround	ENSRD	
07H	R/W	BFS[4:0]				FS[2:0]					00H	Frequency switching and ASIO BCLK setting	SLFS
08H	R/W	-	-	-	-	SLR	MS	ASIM	LRCLK	00H	ASI setting	SLASI	
09H	R/W	-	-	-	DAULGA[4:0]						02H	Digital Volume (L) set value	DAULGA
0AH	R/W	-	-	-	DAURGA[4:0]						02H	Digital Volume (R) set value	DAURGA
0BH	R/W	-	-	-	AAULGA[4:0]						1FH	Analog Volume (L) set value	AAULGA
0CH	R/W	-	-	-	AAURGA[4:0]						1FH	Analog Volume (R) set value	AAURGA
0DH	R/W	-	-	-	-	-	-	VIB	LED	00H	LED and VIB output settings	VIB	
0EH	R/W	-	-	-	-	POUT3	POUT2	POUT1	POUT0	00H	User port output setting	POUT	
3FH	R	-	-	-	-	-	-	VER[1:0]		Note	LSI version	VER	
40H	W	SPSRDW1[7:0]								Undefined	SP surround coefficient 1	SPSRDW1	
41H	W	SPSRDW2[7:0]								Undefined	SP surround coefficient 2	SPSRDW2	
42H	W	HPSRDW1[7:0]								Undefined	HP surround coefficient 1	HPSRDW1	
43H	W	HPSRDW2[7:0]								Undefined	HP surround coefficient 2	HPSRDW2	
44H	R	SPSRDR1[7:0]								00H	SP surround coefficient 1	SPSRDR1	
45H	R	SPSRDR2[7:0]								00H	SP surround coefficient 2	SPSRDR2	
46H	R	HPSRDR1[7:0]								00H	HP surround coefficient 1	HPSRDR1	
47H	R	HPSRDR2[7:0]								00H	HP surround coefficient 2	HPSRDR2	
48H	R/W	SRDRA[7:0]								00H	Surround mode setting	SRDRA	

Note Differs according to the LSI version.

Remark Bits marked with “-” are “don’t care” bits.

6.1 Standby Setting (STNBY)

This register sets standby mode.

Address: 00H, register name: STNBY, block: general, access: R/W, initial value: 00H

D7	D6	D5	D4	D3	D2	D1	D0
STDIG	STPLL2	STPLL1	STASI	STASO	STSYNTH	STDAC	STREF

6.1.1 STDIG

Data	Mode	Initial Value	Description
0	Standby	0	Standby for digital block
1	ON		Normal operation

6.1.2 STPLL2

Data	Mode	Initial Value	Description
0	Standby	0	Standby for PLL2
1	ON		Normal operation

Remark During PLL2 standby mode (power down), the PLL2 output clock is stopped.

6.1.3 STPLL1

Data	Mode	Initial Value	Description
0	Standby	0	Standby for PLL1
1	ON		Normal operation

Remark During PLL1 standby mode (power down), the PLL1 output clock is stopped.

6.1.4 STASI

Data	Mode	Initial Value	Description
0	Standby	0	Standby for audio serial interface input (ASI)
1	ON		Normal operation

6.1.5 STASO

Data	Mode	Initial Value	Description
0	Standby	0	Standby for audio serial interface output (ASO)
1	ON		Normal operation

Caution LRCLK and BCLK operate in standby mode only when both the STASI and STASO bits have been set for standby. For details, see Table 1-1. Pin Status in ASIO Block.

6.1.6 STSYNTH

Data	Mode	Initial Value	Description
0	Standby	0	Standby for sound source block (Synthesizer)
1	ON		Normal operation

6.1.7 STDAC

Data	Mode	Initial Value	Description
0	Standby	0	Standby for DAC block ^{Note}
1	ON		Normal operation

Note This standby signal is shared by the DAC analog block and the analog volume function.

6.1.8 STREF

Data	Mode	Initial Value	Description
0	Standby	0	Standby for voltage/current reference block ^{Note}
1	ON		Normal operation

Note This is the standby signal for the analog block's voltage reference and current reference sources.

6.2 Master Clock Switching (MCLK1A, MCLK1B, MCLK2A, MCLK2B)

These registers set master clock 1 and master clock 2.

Address: 01H, register name: MCLK1A, block: PLL1, access: R/W, initial value: 1CH

D7	D6	D5	D4	D3	D2	D1	D0
-		MCLK1A[6:0]					

Address: 02H, register name: MCLK1B, block: PLL1, access: R/W, initial value: 80H

D7	D6	D5	D4	D3	D2	D1	D0
MCLK1B[7:0]							

Address: 03H, register name: MCLK2A, block: PLL2, access: R/W, initial value: 02H

D7	D6	D5	D4	D3	D2	D1	D0
-		-		MCLK2A[4:0]			

Address: 04H, register name: MCLK2B, block: PLL2, access: R/W, initial value: 27H

D7	D6	D5	D4	D3	D2	D1	D0
MCLK2B[7:0]							

6.2.1 MCLK1A[6:0]

Data	Mode	Initial Value	Description
MCLK1A[6:0]		1CH	Sets PLL1, used to generate the audio master clock.

6.2.2 MCLK1B[7:0]

Data	Mode	Initial Value	Description
MCLK1B[7:0]		80H	Sets PLL1, used to generate the audio master clock.

6.2.3 MCLK2A[4:0]

Data	Mode	Initial Value	Description
MCLK2A[4:0]		02H	Sets PLL2, used to generate the sound source master clock.

6.2.4 MCLK2B[7:0]

Data	Mode	Initial Value	Description
MCLK2B[7:0]		27H	Sets PLL2, used to generate the sound source master clock.

Master clock setting examples are shown below.

(1) Audio master clock setting

This sets the clock frequency supplied to all blocks except the sound source block. Be sure to set the MCLK1A and MCLK1B registers according to the input clock frequency and sampling frequency. The input clock signal is first divided by the value set to the MCLK1A register and is then multiplied by the value set to the MCLK1B register.

CLKIN Input Frequency [MHz]	MCLK1A		MCLK1B		Sampling Frequency fs [kHz]	Internal Sampling Frequency fsi [kHz]	Error		Master Clock Frequency for Audio [MHz]
	(Dec)	(HEX)	(Dec)	(HEX)			Δf [Hz]	[%]	
2.688	20	14	168	A8	44.1	44.1000	0.00	0.0000	22.57920
5.376	40	28	168	A8	44.1	44.1000	0.00	0.0000	22.57920
12.000	76	4C	143	8F	44.1	44.0995	-0.49	-0.0011	22.57895
12.600	77	4D	138	8A	44.1	44.1051	5.11	0.0116	22.58182
13.000	76	4C	132	84	44.1	44.0995	-0.49	-0.0011	22.57895
14.400	125	7D	196	C4	44.1	44.1000	0.00	0.0000	22.57920
16.128	120	78	168	A8	44.1	44.1000	0.00	0.0000	22.57920
2.688	14	0E	128	80	48	48.0000	0.00	0.0000	24.57600
5.376	28	1C	128	80	48	48.0000	0.00	0.0000	24.57600
12.000	62	3E	127	7F	48	48.0091	9.07	0.0189	24.58065
12.600	81	51	158	9E	48	48.0035	3.47	0.0072	24.57778
13.000	64	40	121	79	48	48.0042	4.15	0.0086	24.57813
14.400	75	4B	128	80	48	48.0000	0.00	0.0000	24.57600
16.128	84	54	128	80	48	48.0000	0.00	0.0000	24.57600
2.688	14	0E	128	80	32	32.0000	0.00	0.0000	24.57600
5.376	28	1C	128	80	32	32.0000	0.00	0.0000	24.57600
12.000	62	3E	127	7F	32	32.0060	6.05	0.0189	24.58065
12.600	81	51	158	9E	32	32.0023	2.31	0.0072	24.57778
13.000	64	40	121	79	32	32.0028	2.77	0.0086	24.57813
14.400	75	4B	128	80	32	32.0000	0.00	0.0000	24.57600
16.128	84	54	128	80	32	32.0000	0.00	0.0000	24.57600
2.688	14	0E	128	80	8	8.0000	0.00	0.0000	24.57600
5.376	28	1C	128	80	8	8.0000	0.00	0.0000	24.57600
12.000	62	3E	127	7F	8	8.0015	1.51	0.0189	24.58065
12.600	81	51	158	9E	8	8.0006	0.58	0.0072	24.57778
13.000	64	40	121	79	8	8.0007	0.69	0.0086	24.57813
14.400	75	4B	128	80	8	8.0000	0.00	0.0000	24.57600
16.128	84	54	128	80	8	8.0000	0.00	0.0000	24.57600
2.688	14	0E	128	80	16	16.0000	0.00	0.0000	24.57600
5.376	28	1C	128	80	16	16.0000	0.00	0.0000	24.57600
12.000	62	3E	127	7F	16	16.0030	3.02	0.0189	24.58065
12.600	81	51	158	9E	16	16.0012	1.16	0.0072	24.57778
13.000	64	40	121	79	16	16.0014	1.38	0.0086	24.57813
14.400	75	4B	128	80	16	16.0000	0.00	0.0000	24.57600
16.128	84	54	128	80	16	16.0000	0.00	0.0000	24.57600

(2) Sound source master clock setting

This sets the frequency of the clock to be supplied to the sound source block. Be sure to set values in the MCLK2A and MCLK2B registers according to the input clock frequency. The input clock signal is first divided by the value set to the MCLK2A register and is then multiplied by the value set to the MCLK2B register.

CLKIN Input Frequency [MHz]	MCLK2A		MCLK2B		Sampling Frequency fs [kHz]	Internal Sampling Frequency fsi [kHz]	Error		Master clock frequency for sound source [MHz]
	(Dec)	(HEX)	(Dec)	(HEX)			Δf [Hz]	[%]	
2.688	1	01	41	29	32	32.0000	0.00	0.0000	55.10400
5.376	2	02	41	29	32	32.0000	0.00	0.0000	55.10400
12.000	5	05	46	2E	32	32.0000	0.00	0.0000	55.20000
12.600	5	05	44	2C	32	32.0092	9.24	0.0289	55.44000
13.000	5	05	42	2A	32	32.0047	4.69	0.0147	54.60000
14.400	6	06	46	2E	32	32.0000	0.00	0.0000	55.20000
16.128	6	06	41	29	32	32.0000	0.00	0.0000	55.10400

6.3 Switching/Mixing of Surround Block Input Source (SLSORCE)

This register is used to set switching and mixing of the surround block's input source.

Address: 05H, register name: SLSORCE, block: Selector, access: R/W, initial value: 00H

D7	D6	D5	D4	D3	D2	D1	D0
–	–	–	–	–	–	MIX	SLSORCE

6.3.1 SLSORCE

Data	Mode	Initial Value	Description
0	SYNTH	0	Select input from sound source (synthesizer)
1	ASI		Select input from audio serial interface input (ASI)

6.3.2 MIX

Data	Mode	Initial Value	Description
0	Path selection	0	Only one path is used for output from either the sound source or ASI (set via SLSORCE).
1	Mixing		Mixes sound source and ASI signals (SLSORCE setting is invalid).

- Cautions**
- Mixing mode is supported only when the sampling frequency is 32 kHz. Consequently, when setting MIX = 1, be sure to set the FS[2:0] bits of the SLFS register (07H) to 000B (see 6.5 Fs Switching and BCLK Switching for ASIO (SLFS)).
 - If the sum of the sound source and the ASI signal exceeds the full scale, the output signal will be clipped.
 - When setting the MIX bit to 1 while ASIO is in slave mode (MS bit of SLASI register = 1 (08H)), be sure to set the STASI bit of the SLASI register (08H) to 1 and input BCLK and LRCLK. When stopping the ASI input and using the sound source only, retain the settings of MS = 1, MIX = 1, and STASI = 1 or set MIX = 0 and SLSORCE = 0.

6.4 Surround On/Off Switching (ENSRD)

This switches the surround function on and off.

Address: 06H, register name: ENSRD, block: DVX, access: R/W, initial value: 00H

D7	D6	D5	D4	D3	D2	D1	D0
–	–	–	–	–	–	ENSRD[1:0]	

6.4.1 ENSRD[1:0]

Data	Mode	Initial Value	Description
00B	OFF	00B	Surround processing is not performed.
01B	SPK		The coefficient set to the SP's coefficient setting registers (addresses 40H and 41H) is used to perform surround processing.
10B	HP		The coefficient set to the HP's coefficient setting registers (addresses 42H and 43H) is used to perform surround processing.
11B	–		Setting prohibited

Caution Reading or writing of the surround coefficient is enabled only when ENSRD[1:0] = 00B.

6.5 Fs Switching and BCLK Switching for ASIO (SLFS)

This sets the ASI's sampling rate and the frequency of BCLK.

Address: 07H, register name: SLFS, block: ASIO, access: R/W, initial value: 00H

D7	D6	D5	D4	D3	D2	D1	D0
BFS[4:0]					FS[2:0]		

6.5.1 FS[2:0]

Data	Mode	Initial Value	Description
000B	32 kHz	000B	Sets ASIO's sampling rate as 32 kHz.
001B	44.1 kHz		Sets ASIO's sampling rate as 44.1 kHz.
010B	48 kHz		Sets ASIO's sampling rate as 48 kHz.
100B	8 kHz		Sets ASIO's sampling rate as 8 kHz.
101B	16 kHz		Sets ASIO's sampling rate as 16 kHz.

Caution Be sure to set this in tandem with the master clock setting (set for each sampling frequency). Do not set any data that is not shown above.

When setting a sampling rate of 8 kHz or 16 kHz, also set data 80H at address F3H.

6.5.2 BFS[4:0]

Data	Mode	Initial Value	Description
00H	64 fs	00H	Sets 64 fs as BCLK frequency (can be set during master mode).
01H	62 fs		Sets 62 fs as BCLK frequency.
02H	60 fs		Sets 60 fs as BCLK frequency.
03H	58 fs		Sets 58 fs as BCLK frequency.
04H	56 fs		Sets 56 fs as BCLK frequency.
05H	54 fs		Sets 54 fs as BCLK frequency.
06H	52 fs		Sets 52 fs as BCLK frequency.
07H	50 fs		Sets 50 fs as BCLK frequency.
08H	48 fs		Sets 48 fs as BCLK frequency.
09H	46 fs		Sets 46 fs as BCLK frequency.
0AH	44 fs		Sets 44 fs as BCLK frequency.
0BH	42 fs		Sets 42 fs as BCLK frequency.
0CH	40 fs		Sets 40 fs as BCLK frequency.
0DH	38 fs		Sets 38 fs as BCLK frequency.
0EH	36 fs		Sets 36 fs as BCLK frequency.
0FH	34 fs		Sets 34 fs as BCLK frequency.
10H	32 fs		Sets 32 fs as BCLK frequency (can be set during master mode).

Caution During master mode (MS = 1), only 64 fs (00H) or 32 fs (10H) can be set. If any other value is set, 64 fs (the initial value) will be selected.

During slave mode (MS = 0), any sampling frequency from 32 fs to 64 fs can be set in 2 fs increments.

6.6 ASIO Mode Setting (SLASI)

This specifies the ASI setting as shown below.

Address: 08H, register name: SLASI, block: ASIO, access: R/W, initial value: 00H

D7	D6	D5	D4	D3	D2	D1	D0
–	–	–	–	SLR	MS	ASIM	LRCLK

6.6.1 SLR

Data	Mode	Initial Value	Description
0	SR	0	Right-justified format
1	SL		Left-justified format

6.6.2 MS

Data	Mode	Initial Value	Description
0	SLAVE	0	Slave mode
1	MASTER		Master mode

Caution During slave mode, external clock input is required. For description of the pin status of the ASIO block during various modes, see 1.5 Pin Status.

6.6.3 ASIM

Data	Mode	Initial Value	Description
0	LR	0	LR mode
1	IIS		IIS mode (In this case, the SLR bit is a “don’t care” bit).

6.6.4 LRCLK

Data	Mode	Initial Value	Description
0	LCH	0	When LRCLK is at high level, this specifies L channel data.
1	RCH		When LRCLK is at high level, this specifies R channel data.

Caution Be sure to set LRCLK = 1 when IIS mode is selected.

6.7 Digital Volume (L) Setting (DAULGA)

This sets the L channel's digital gain.

Address: 09H, register name: DAULGA, block: Digital Volume, access: R/W, initial value: 02H

D7	D6	D5	D4	D3	D2	D1	D0
–	–	–	DAULGA[4:0]				

6.7.1 DAULGA[4:0]

Data	Mode	Initial Value	Description
DAULGA[4:0]		02H	Sets digital gain (L ch)

6.8 Digital Volume (R) Setting (DAURGA)

This sets the R channel's digital gain.

Address: 0AH, register name: DAURGA, block: Digital Volume, access: R/W, initial value: 02H

D7	D6	D5	D4	D3	D2	D1	D0
–	–	–	DAURGA[4:0]				

6.8.1 DAURGA[4:0]

Data	Mode	Initial Value	Description
DAURGA[4:0]		02H	Sets digital gain (R ch)

Table 6-1. Digital Volume (5-Bit Non-Linear)

Gain	DAULGA[4:0]/ DAURGA[4:0]	Gain	DAULGA[4:0]/ DAURGA[4:0]
+12 dB	00H	–30 dB	0CH
+6 dB	01H	–33 dB	0DH
±0 dB	02H (Initial value)	–36 dB	0EH
–3 dB	03H	–39 dB	0FH
–6 dB	04H	–42 dB	10H
–9 dB	05H	–45 dB	11H
–12 dB	06H	–48 dB	12H
–15 dB	07H	–51 dB	13H
–18 dB	08H	–54 dB	14H
–21 dB	09H	–57 dB	15H
–24 dB	0AH	–60 dB	16H
–27 dB	0BH	Mute	17H

6.9 Analog Volume (L ch) Setting (AAULGA)

This sets the L channel's analog gain.

Address: 0BH, register name: AAULGA, block: Analog Volume, access: R/W, initial value: 1FH

D7	D6	D5	D4	D3	D2	D1	D0
–	–	–	AAULGA[4:0]				

6.9.1 AAULGA[4:0]

Data	Mode	Initial Value	Description
AAULGA[4:0]		1FH	Sets analog gain (L ch)

6.10 Analog Volume (R ch) Setting (AAURGA)

This sets the R channel's analog gain.

Address: 0CH, register name: AAURGA, block: Analog Volume, access: R/W, initial value: 1FH

D7	D6	D5	D4	D3	D2	D1	D0
–	–	–	AAURGA[4:0]				

6.10.1 AAURGA[4:0]

Data	Mode	Initial Value	Description
AAURGA[4:0]		1FH	Sets analog gain (R ch)

Table 6-2. Analog Volume (5-Bit Linear)

Gain	AAULGA[4:0] / AAURGA[4:0]	Gain	AAULGA[4:0] / AAURGA[4:0]
±0 dB	00H	–24 dB	10H
–1.5 dB	01H	–25.5 dB	11H
–3 dB	02H	–27 dB	12H
–4.5 dB	03H	–28.5 dB	13H
–6 dB	04H	–30 dB	14H
–7.5 dB	05H	–31.5 dB	15H
–9 dB	06H	–33 dB	16H
–10.5 dB	07H	–34.5 dB	17H
–12 dB	08H	–36 dB	18H
–13.5 dB	09H	–37.5 dB	19H
–15 dB	0AH	–39 dB	1AH
–16.5 dB	0BH	–40.5 dB	1BH
–18 dB	0CH	–42 dB	1CH
–19.5 dB	0DH	–43.5 dB	1DH
–21 dB	0EH	–45 dB	1EH
–22.5 dB	0FH	Mute	1FH (Initial value)

6.11 VIB and LED Settings (VIB)

This register is used to control the output port for the vibrator and LED.

Address: 0DH, register name: VIB, block: Analog Volume, access: R/W, initial value: 00H

D7	D6	D5	D4	D3	D2	D1	D0
–	–	–	–	–	–	VIB	LED

6.11.1 LED

Data	Mode	Initial Value	Description
0	OFF	0	Low-level output from LED pin
1	ON		High-level output from LED pin

6.11.2 VIB

Data	Mode	Initial Value	Description
0	OFF	0	Low-level output from VIB pin
1	ON		High-level output from VIB pin

Caution For both LED and VIB, the register value is output to the μPD9991's pins.

6.12 Setting of General-Purpose Output Pins (POUT)

This sets the output level for the general-purpose output pins (pins PO0 to PO3).

Address: 0EH, register name: POUT, block: PO, access: R/W, initial value: 00H

D7	D6	D5	D4	D3	D2	D1	D0
–	–	–	–	POUT3	POUT2	POUT1	POUT0

6.12.1 POUT0 to POUT3

Data	Mode	Initial Value	Description
0	LOW	0	Low-level output from corresponding pins PO0 to PO3.
1	HIGH		High-level output from corresponding pins PO0 to PO3.

Caution When the digital block is in standby mode (address 00H, STDIG = 0), output from pins PO0 to PO3 is held at the level set via POUT0 to POUT3. For details, see Table 1-1 Pin Status in ASIO Block in 1.5 Pin Status.

6.13 LSI Version (VER)

This displays the LSI's version information.

Address: 3FH, register name: VER, block: other, access: R, initial value: differs depending on LSI version

D7	D6	D5	D4	D3	D2	D1	D0
–	–	–	–	–	–	VER[1:0]	

6.13.1 VER[1:0]

Data	Mode	Initial Value	Description
VER[1:0]		–	LSI version

6.14 Surround Coefficient Write Register (for Speaker) (SPSRDW1, SPSRDW2)

This register is used to write the surround coefficient for the speaker.

Address: 40H, register name: SPSRDW1, block: DVX, access: W, initial value: undefined

D7	D6	D5	D4	D3	D2	D1	D0
SPSRDW1[7:0]							

Address: 41H, register name: SPSRDW2, block: DVX, access: W, initial value: undefined

D7	D6	D5	D4	D3	D2	D1	D0
SPSRDW2[7:0]							

6.14.1 SPSRDW1[7:0]

Data	Mode	Initial Value	Description
SPSRDW1[7:0]		Undefined	Surround coefficient setting register 1 (for speaker)

6.14.2 SPSRDW2[7:0]

Data	Mode	Initial Value	Description
SPSRDW2[7:0]		Undefined	Surround coefficient setting register 2 (for speaker)

6.15 Surround Coefficient Write Register (for Headphones) (HPSRDW1, HPSRDW2)

This register is used to write the surround coefficient for the headphones.

Address: 42H, register name: HPSRDW1, block: DVX, access: W, initial value: undefined

D7	D6	D5	D4	D3	D2	D1	D0
HPSRDW1[7:0]							

Address: 43H, register name: HPSRDW2, block: DVX, access: W, initial value: undefined

D7	D6	D5	D4	D3	D2	D1	D0
HPSRDW2[7:0]							

6.15.1 HPSRDW1[7:0]

Data	Mode	Initial Value	Description
HPSRDW1[7:0]		Undefined	Surround coefficient setting register 1 (for headphones)

6.15.2 HPSRDW2[7:0]

Data	Mode	Initial Value	Description
HPSRDW2[7:0]		Undefined	Surround coefficient setting register 2 (for headphones)

- Cautions**
1. To access the surround coefficient write registers (40H, 41H, 42H, and 43H), first write to the surround address setting register, then continuously write data 192 times. Writing the data 192 times sets values to the RAM that stores internal surround coefficients.
 2. The surround coefficient must be written using continuous write access. Even if the CS_B pin goes to high level during the continuous write operation and the CPU control switches to another device, the surround coefficient is written without any problem if it is accessed following the previous write operation when the CS_B pin goes to low level.
 3. If an interrupt (INT_B) occurs while data is being written continuously, start over by writing the surround address setting register again.
 4. Reading and writing of surround coefficients are enabled only when ENSRD[1:0] = 00B.

6.16 Surround Coefficient Read Register (for Speaker) (SPSRDR1, SPSRDR2)

This register is used to read the surround coefficient for the speaker.

Address: 44H, register name: SPSRDR1, block: DVX, access: R, initial value: 00H

D7	D6	D5	D4	D3	D2	D1	D0
SPSRDR1[7:0]							

Address: 45H, register name: SPSRDR2, block: DVX, access: R, initial value: 00H

D7	D6	D5	D4	D3	D2	D1	D0
SPSRDR2[7:0]							

6.16.1 SPSRDR1[7:0]

Data	Mode	Initial Value	Description
SPSRDR1[7:0]		00H	Surround coefficient setting register 1 (for speaker)

6.16.2 SPSRDR2[7:0]

Data	Mode	Initial Value	Description
SPSRDR2[7:0]		00H	Surround coefficient setting register 2 (for speaker)

6.17 Surround Coefficient Read Register (for Headphones) (HPSRDR1, HPSRDR2)

This register is used to read the surround coefficient for the headphones.

Address: 46H, register name: HPSRDR1, block: DVX, access: R, initial value: 00H

D7	D6	D5	D4	D3	D2	D1	D0
HPSRDR1[7:0]							

Address: 47H, register name: HPSRDR2, block: DVX, access: R, initial value: 00H

D7	D6	D5	D4	D3	D2	D1	D0
HPSRDR2[7:0]							

6.17.1 HPSRDR1[7:0]

Data	Mode	Initial Value	Description
HPSRDR1[7:0]		00H	Surround coefficient setting register 1 (for headphones)

6.17.2 HPSRDR2[7:0]

Data	Mode	Initial Value	Description
HPSRDR2[7:0]		00H	Surround coefficient setting register 2 (for headphones)

- Cautions**
- To access the surround coefficient read registers (44H, 45H, 46H, and 47H), first write to the surround address setting register, then continuously read data 192 times. Reading the data 192 times sets values to the RAM that stores internal surround coefficients.
 - The surround coefficient must be read using continuous read access. Even if the CS_B pin goes to high level during the continuous read operation and the CPU control switches to another device, the surround coefficient is read without any problem if it is accessed following the previous read operation when the CS_B pin goes to low level.
 - If an interrupt (INT_B) occurs while data is being read continuously, start over by writing the surround address setting register again.
 - Reading and writing of surround coefficients are enabled only when ENSRD[1:0] = 00B.

6.18 Surround Mode Setting Register (SRDRA)

This register sets the mode for reading/writing of surround coefficients.

Address: 48H, register name: SRDRA, block: DVX, access: R/W, initial value: 00H

D7	D6	D5	D4	D3	D2	D1	D0
SRDRA[7:0]							

6.18.1 SRDRA[7:0]

Data	Mode	Initial Value	Description
SRDRA[7:0]		00H	Sets access to surround register

Caution Set SRDRA[7:0] to 00H.

7. POWER STARTUP PROCEDURE

The μPD9991 includes four power supply units: the internal digital logic block power supply (DV_{DD}), PLL1/PLL2 power supply (AV_{DD}-P), internal analog circuit's power supply (AV_{DD}), and the I/O circuit's power supply (EV_{DD}).

7.1 Power Application Sequence

- <1> With the RESET_B pin set to low level, turn on the power supply units (DV_{DD}, AV_{DD}, AV_{DD}-P, and EV_{DD}). We recommend turning on all four of these units at the same time.
- <2> Wait until the power supply voltage reaches the specified voltage value.
- <3> Cancel the hardware reset.
To cancel, set the RESET_B pin to high level.

7.2 Shutdown Sequence

- <1> With the RESET_B pin set to low level, turn off the power supply units (DV_{DD}, AV_{DD}, AV_{DD}-P, and EV_{DD}). We recommend turning off all four of these units at the same time.
- <2> After power-down, the status of the RESET_B pin is undefined.

8. POWER SAVING FUNCTION

8.1 Software Power Saving Function (command-driven)

The μPD9991 includes a power saving function (standby mode) that is controlled by command input. For details, see **6.1 Standby Setting**.

8.2 Hardware Power Saving Function (by powering down the power supply)

In addition to the software power saving function, a hardware power saving function is available. In such cases, note with caution that all data written to registers and memory will be deleted (be sure to rewrite this data after canceling the power saving operation).

Follow the steps described below when setting hardware power saving.

- <1> With the RESET_B pin set to low level, turn off DV_{DD}, AV_{DD}, and AV_{DD}-P.
- <2> Continue supplying EV_{DD} since it is used to protect the CPU bus line.
- <3> Be sure to fix the RESET_B pin to low level during a hardware power saving operation.

Follow the steps described below to cancel hardware power saving.

- <1> With the RESET_B pin set to low level, turn on DV_{DD}, AV_{DD}, and AV_{DD}-P.
- <2> Set the RESET_B pin to high level.

9. SETTING SEQUENCE

9.1 Power Application

Steps	Items	Target Register, etc.
1	Cancel hardware reset	RESET_B pin (low to high)
2	Set PLL	MCLK1A, MCLK1B, MCLK2A, MCLK2B
3	Set sampling frequency	FS
4	Cancel PLL standby	STPLL1, STPLL2, STREF
5	Cancel standby	STSYNTH, STDIG, STASI, STASO, STDAC
6	Internal clock is valid	After canceling standby for STDIG and STSYNTH, normal operation begins after at least 2 ms have elapsed.

9.2 Basic Sequence for Switching Among Operation Modes

Steps	Items	Target Register, etc.
1	Lower analog volume step by step (recommended)	AAULGA, AAURGA
2	Set analog volume mute	AAULGA, AAURGA
3	Set standby mode	STPLL1, STPLL2, STREF, STSYNTH, STDIG, STASI, STASO, STDAC
4	Switch sound source/audio path	SLSORCE
5	Switching surround on/off setting	ENSRD
6	Set sampling frequency	FS
7	Set ASIO mode	MS, ASIM, LRCLK, SLR
8	Cancel PLL standby	STPLL1, STPLL2, STREF
9	Cancel standby	STSYNTH, STDIG, STASI, STASO, STDAC
10	Internal clock is valid	After canceling standby for STDIG and STSYNTH, normal operation begins after at least 2 ms have elapsed.
11	Cancel analog volume mute	AAULGA, AAURGA
12	Raise analog volume step by step (recommended)	AAULGA, AAURGA

- Remarks**
1. During slave mode, input of LRCLK and BCLK are required.
 2. Setting of mute after using the analog volume control to lower the volume step by step and to raise of the volume after canceling the mute setting are performed in order to eliminate any audible change in sound that can occur due to single-frame operation errors in the digital data that is generated while switching.
An example of raising and lowering volume step by step is shown below.

Example STEP = 1.5 dB (minimum unit)
 Cycle (time per step) for raising or lowering = 200 μs per step

These values are merely an example from our company's evaluations. Adjustments for each set should be made as determined by the manufacturer.

3. The STDIG signal is also used to reset operations such as digital filter operations, so it is required when switching modes.

9.2.1 Mute

Steps	Items	Target Register, etc.
1	Lower analog volume step by step (recommended)	AAULGA, AAURGA
2	Set analog volume mute	AAULGA, AAURGA

9.2.2 Standby

Steps	Items	Target Register, etc.
1	Lower analog volume step by step (recommended)	AAULGA, AAURGA
2	Set analog volume mute	AAULGA, AAURGA
3	Set standby mode	STPLL1, STPLL2, STREF, STSYNTH, STDIG, STASI, STASO, STDAC
4	Cancel PLL standby	STPLL1, STPLL2, STREF
5	Cancel standby	STSYNTH, STDIG, STASI, STASO, STDAC
6	Internal clock is valid	After canceling standby for STDIG and STSYNTH, normal operation begins after at least 2 ms have elapsed.
7	Cancel analog volume mute	AAULGA, AAURGA
8	Raise analog volume step by step (recommended)	AAULGA, AAURGA

9.2.3 FS switching

Steps	Items	Target Register, etc.
1	Lower analog volume step by step (recommended)	AAULGA, AAURGA
2	Set analog volume mute	AAULGA, AAURGA
3	Set standby mode	STPLL1, STPLL2, STREF, STSYNTH, STDIG, STASI, STASO, STDAC
4	Set sampling frequency	FS
5	Cancel PLL standby	STPLL1, STPLL2, STREF
6	Cancel standby	STSYNTH, STDIG, STASI, STASO, STDAC
7	Internal clock is valid	After canceling standby for STDIG and STSYNTH, normal operation begins after at least 2 ms have elapsed.
8	Cancel analog volume mute	AAULGA, AAURGA
9	Raise analog volume step by step (recommended)	AAULGA, AAURGA

9.2.4 Path switching

Steps	Items	Target Register, etc.
1	Lower analog volume step by step (recommended)	AAULGA, AAURGA
2	Set analog volume mute	AAULGA, AAURGA
4	Switch sound source/audio path	SLSORCE
5	Cancel analog volume mute	AAULGA, AAURGA
6	Raise analog volume step by step (recommended)	AAULGA, AAURGA

Caution Data may be incorrect in one frame.

9.2.5 Surround switching

Steps	Items	Target Register, etc.
1	Lower analog volume step by step (recommended)	AAULGA, AAURGA
2	Set analog volume mute	AAULGA, AAURGA
3	Switching surround on/off setting	ENSRD
4	Cancel analog volume mute	AAULGA, AAURGA
5	Raise analog volume step by step (recommended)	AAULGA, AAURGA

Caution Data may be incorrect in one frame.

9.2.6 Set ASIO mode

Steps	Items	Target Register, etc.
1	Lower analog volume step by step (recommended)	AAULGA, AAURGA
2	Set analog volume mute	AAULGA, AAURGA
3	Set standby mode	STPLL1, STPLL2, STREF, STSYNTH, STDIG, STASI, STASO, STDAC
4	Set ASIO mode	MS, ASIM, LRCLK, SLR
5	Cancel PLL standby	STPLL1, STPLL2, STREF
6	Cancel standby	STSYNTH, STDIG, STASI, STASO, STDAC
7	Internal clock is valid	After canceling standby for STDIG and STSYNTH, normal operation begins after at least 2 ms have elapsed.
8	Cancel analog volume mute	AAULGA, AAURGA
9	Raise analog volume step by step (recommended)	AAULGA, AAURGA

Caution Data may be incorrect in one frame.

9.2.7 RAM access

Steps	Items	Target Register, etc.
1	After power application	RESET_B pin (See 9.1 Power Application.)
2	Address specification	Address specification
3	Data transfer	Data transfer

9.3 Setting Sequence Example

9.3.1 Sound source-DAC output

(1) Power application

Steps	Items	Target Register, etc.
1	Cancel hardware reset	RESET_B pin (low to high)
2	Set PLL	MCLK1A, MCLK1B, MCLK2A, MCLK2B
3	Set sampling frequency	FS 32 kHz
4	Sound source/audio path switching	SLSORCE = 0
5	Cancel PLL standby	STPLL1 = STPLL2 = STREF = 1
6	Cancel standby	STDIG = STSYNTH = STDAC = 1
7	Internal clock is valid	After canceling standby for STDIG and STSYNTH, normal operation begins after at least 2 ms have elapsed.

(2) Sound source setting

(3) Sound source data transfer

(4) Volume up

Steps	Items	Target Register, etc.
8	Cancel analog volume mute	AAULGA, AAURGA
9	Raise analog volume step by step (recommended)	AAULGA, AAURGA

9.3.2 Sound source-ASO output

(1) Power application

Steps	Items	Target Register, etc.
1	Cancel hardware reset	RESET_B pin (low to high)
2	Set PLL	MCLK1A, MCLK1B, MCLK2A, MCLK2B
3	Set sampling frequency	FS 32 kHz
4	Sound source/audio path switching	SLSORCE = 0
5	Set ASIO mode	MS, ASIM, LRCLK, SLR
6	Cancel PLL standby	STPLL1 = STPLL2 = STREF = 1
7	Cancel standby	STDIG = STSYNTH = STDAC = 1
8	Internal clock is valid	After canceling standby for STDIG and STSYNTH, normal operation begins after at least 2 ms have elapsed.

(2) Sound source setting

(3) Sound source data transfer

9.3.3 ASI-DAC output

(1) Power application

Steps	Items	Target Register, etc.
1	Cancel hardware reset	RESET_B pin (low to high)
2	Set PLL	MCLK1A, MCLK1B, MCLK2A, MCLK2B
3	Set sampling frequency	FS 32 kHz, 44.1 kHz, or 48 kHz
4	Sound source/audio path switching	SLSORCE = 1
5	Set ASIO mode	MS, ASIM, LRCLK, SLR
6	Cancel PLL standby	STPLL1 = STREF = 1
7	Cancel standby	STDIG = STDAC = 1
8	Internal clock is valid	After canceling standby for STDIG, normal operation begins after at least 2 ms have elapsed.

(2) Music data transmission

(3) Volume up

Steps	Items	Target Register, etc.
9	Cancel analog volume mute	AAULGA, AAURGA
10	Raise analog volume step by step (recommended)	AAULGA, AAURGA

9.3.4 ASI-ASO output

(1) Power application

Steps	Items	Target Register, etc.
1	Cancel hardware reset	RESET_B pin (low to high)
2	Set PLL	MCLK1A, MCLK1B, MCLK2A, MCLK2B
3	Set sampling frequency	FS 32 kHz, 44.1 kHz, or 48 kHz
4	Sound source/audio path switching	SLSORCE = 1
5	Set ASIO mode	MS, ASIM, LRCLK, SLR
6	Cancel PLL standby	STPLL1 = STREF = 1
7	Cancel standby	STDIG = STDAC = 1
8	Internal clock is valid	After canceling standby for STDIG, normal operation begins after at least 2 ms have elapsed.

(2) Music data transmission

9.4 Relation Between Setting Modes and Internal Operations (Relation with Synchronization Clock)

Table 9-1. Relation Between Setting Modes and Internal Operations (Relation with Synchronization Clock)

Function	Register				Pin (Signal) Status					Actual Use	Remark
	MS	SLSORCE	STASI	STASO	LRCLK, BCLK	Sync. Clock sync_lr	ASI	ASO	LINE_OUT (DAC)		
Slave mode, sound source path, standby during ASI and ASO	0 slave	0 synth	0 off	0 off	Input/ internal low	Internal	Invalid	Hi-Z	OUT	Sound source-DAC	Even though slave mode has been set, the internal clock operates.
Slave mode, sound source path, ASI standby, ASO output	0 slave	0 synth	0 off	1 on	Signal input	External	Invalid	OUT	OUT	Sound source-ASO	Uses external synchronization clock. If the external LRCLK signal has not yet been input, outputs are stopped.
Slave mode, audio path, ASI input, ASO standby	0 slave	1 audio	1 on	0 off	Signal input	External	IN	Hi-Z	OUT	ASI-DAC	Uses external synchronization clock. If the external LRCLK signal has not yet been input, outputs are stopped.
Slave mode, audio path, ASI input, ASO output	0 slave	1 audio	1 on	1 on	Signal input	External	IN	OUT	OUT	ASI-ASO	Uses external synchronization clock. If the external LRCLK signal has not yet been input, outputs are stopped.
Master mode, sound source path, standby during ASI and ASO	1 master	0 synth	0 off	0 off	Low output	Internal	Invalid	Hi-Z	OUT	Sound source-DAC	The internal clock operates.
Master mode, sound source path, ASI standby, ASO output	1 master	0 synth	0 off	1 on	Signal output	Internal	Invalid	OUT	OUT	Sound source-ASO	The internal clock operates.
Master mode, audio path, ASI input, ASO standby	1 master	1 audio	1 on	0 off	Signal output	Internal	IN	Hi-Z	OUT	ASI-DAC	The internal clock operates.
Master mode, audio path, ASI input, ASO output	1 master	1 audio	1 on	1 on	Signal output	Internal	IN	OUT	OUT	ASI-ASO	The internal clock operates.

Remark The operations in Table 9-1 apply to the operations in mixing mode (address 05H, MIX = 1). Therefore, when setting mixing (MIX = 1) while the ASIO is in slave mode (address 08H, MS = 1), be sure to set STASI = 1 and input BCLK and LRCLK.

When stopping the ASI input and using the sound source only, retain the settings of MS = 1, MIX = 1, and STASI = 1 or set MIX = 0 and SLSORCE = 0.

10. STANDBY MODE

Standby mode for various blocks

10.1 Clock Supply

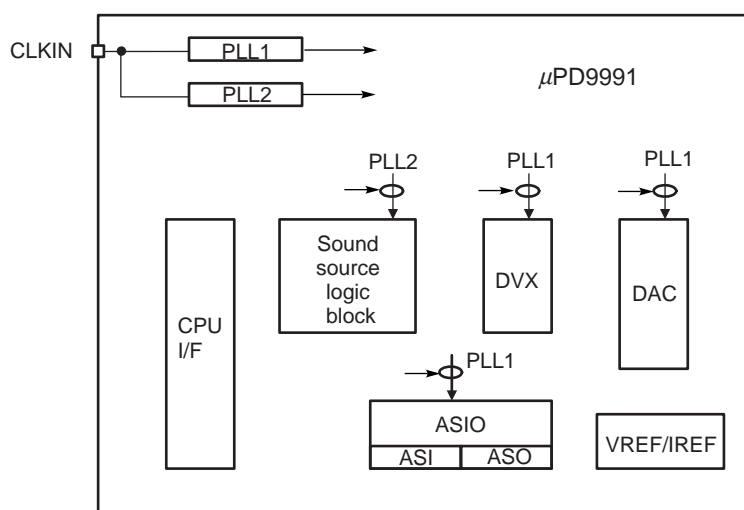
During the standby mode for PLL1 and PLL2, access is enabled only for the standby register at address 00H, the master clock setting registers at addresses 01H, 02H, 03H, and 04H, and the general-purpose output pin setting register at address 0EH.

To use DVX, DAC and ASIO, the PLL1 standby mode must be canceled.

To use the sound source logic block, the PLL2 standby mode must be canceled.

The supply of clock signals from the PLL to various blocks is illustrated in Figure 10-1.

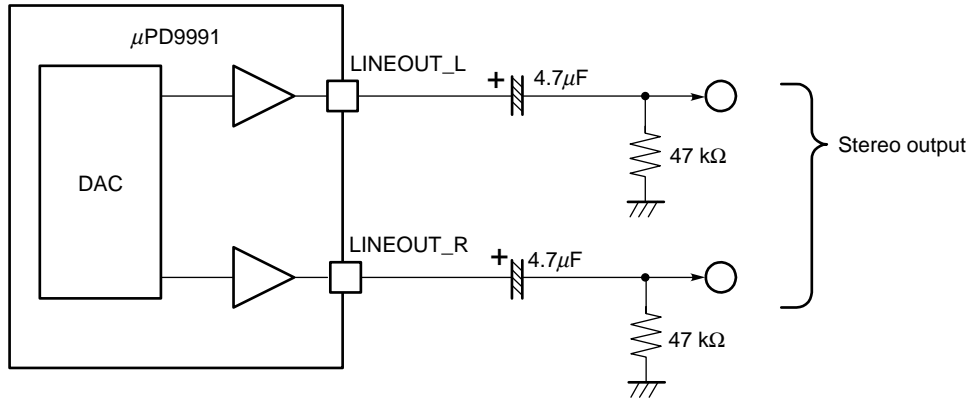
Figure 10-1. Destination of Clocks Supplied from PLL1 and PLL2



11. REFERENCE SCHEMATICS

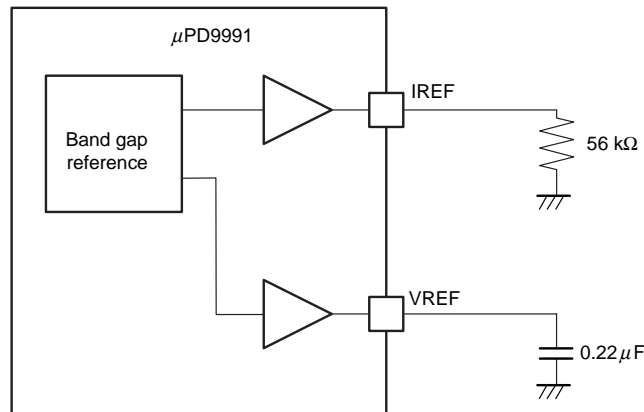
11.1 Line Out Pins (LINEOUT_L and LINEOUT_R)

Figure 11-1. Example of Connection to Line Out Pin



11.2 Reference Power Supply Voltage and Current Supply Pins (VREF and IREF)

Figure 11-2. Handling of VREF and IREF Pins



The VREF and IREF blocks include the following functions.

- Reference voltage is generated using band gap
- The reference current is generated using this reference voltage and an external resistance, and is supplied to all analog circuits.

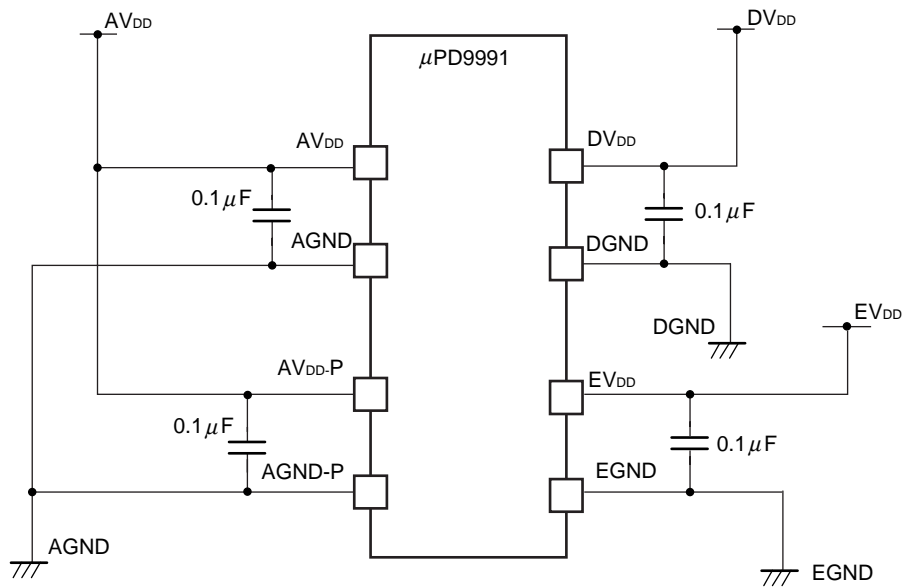
The VREF and IREF blocks operates when STREF = 1 in the STNBY register. Normal mode is set within 1.0 ms after this STREF bit is set (= 1).

- Cautions**
1. Be sure to connect a 56 kΩ resistor between the IREF pin and AGND. Do not connect any other resistors to the IREF pin.
 2. Be sure to connect a 0.22 μF (±20%) capacitor between the VREF pin and AGND. Do not connect any other capacitors to the VREF pin.

11.3 Power Supply

Whenever possible, avoid placing a decoupling capacitor close to any of the μ PD9991's pins.

Figure 11-3. Placement of Decoupling Capacitor



The pairing of pins between the power supply (with decoupling capacitor) and GND is as follows (pin numbers are indicated in parentheses).

- AV_{DD} (1E) – AGND (1D)
- AV_{DD-P} (2G) – AGND-P (1H)
- DV_{DD} (9K) – DGND (5K)
- DV_{DD} (10D) – DGND (10J)
- EV_{DD} (9C) – EGND (6A)
- DV_{DD} (9A) – EGND (6A)

Caution EV_{DD} is used for digital operations. Therefore, it is recommended to use a different power supply to the analog power supplies (AV_{DD} and AV_{DD-P}) to avoid affecting the analog characteristics.

11.4 Pin Outline Schematics

Input Pin	Output Pin	Pin Outline Schematic
TM0 to TM4, PO0 to PO3, A1, A0, CS_B, WR_B, RD_B, D0 to D7, RESET_B, LRCLK, BCLK, ASI, PS, TRSCK, CLK8K, RDATA	TM3, TM4, PO0 to PO3, A0, D0 to D7, INT_B, VIB, LED, LRCLK, BCLK, ASO	
IREF, VREF	IREF, VREF, LINEOUT_L, LINEOUT_R	
CLKIN	-	

12. ELECTRICAL SPECIFICATIONS

12.1 Absolute Maximum Ratings

Parameter	Symbol	Conditions	Rating	Unit
Supply voltage	DV _{DD}	For digital ports	-0.3 to +2.0	V
	EV _{DD}	For I/O pins	-0.3 to +4.0	V
	AV _{DD}	For analog ports	-0.3 to +4.0	V
	AV _{DD-P}	For PLL	-0.3 to +4.0	V
Input voltage	V _I	V _I /V _O < EV _{DD} + 0.5 V	-0.3 to +4.0	V
Output voltage	V _O		-0.3 to +4.0	V
Power dissipation	P _D		300	mW
Storage temperature	T _{stg}		-50 to +125	°C

Caution Product quality may suffer if the absolute maximum rating is exceeded even momentarily for any parameter. That is, the absolute maximum ratings are rated values at which the product is on the verge of suffering physical damage, and therefore the product must be used under conditions that ensure that the absolute maximum ratings are not exceeded.

12.2 Recommended Operating Conditions

Parameter	Symbol	Conditions	MIN.	TYP.	MAX.	Unit
Operating voltage	DV _{DD}	-20 to +85°C	1.425	1.5	1.575	V
	EV _{DD}		1.71	3.0	3.3	V
	AV _{DD}		2.85	3.0	3.15	V
	AV _{DD-P}		2.85	3.0	3.15	V
Input voltage	V _I		0		EV _{DD}	V
Operating ambient temperature	T _A		-20		+85	°C

12.3 Capacitance

(T_A = +25°C, DV_{DD} = 0 V, EV_{DD} = 0 V)

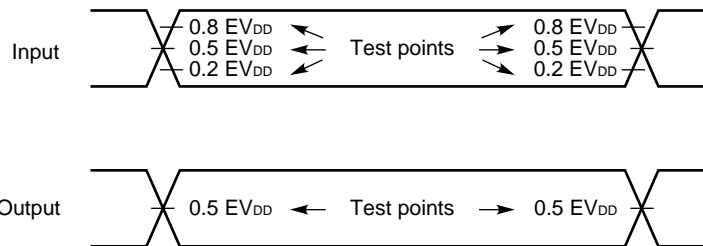
Parameter	Symbol	Conditions	MIN.	TYP.	MAX.	Unit
Input capacitance	C _i	f = 1 MHz, pins other than those tested: 0 V		10		pF
Output capacitance	C _o			10		pF
I/O capacitance	C _{io}			10		pF

12.4 DC Characteristics

(T_A = -20 to +85°C, with DV_{DD} and EV_{DD} within recommended operating condition range)

Parameter	Symbol	Conditions	MIN.	TYP.	MAX.	Unit
Input voltage, high	V _{IHN}		0.8 EV _{DD}		EV _{DD}	V
Input voltage, low	V _{ILN}		0		0.2 EV _{DD}	V
Output voltage, high	V _{OH3}	EV _{DD} = 3.0 V, I _{OH} = -1 mA (LED, VIB = -4 mA)	0.8 EV _{DD}			V
	V _{OH18}	EV _{DD} = 1.8 V, I _{OH} = -1 mA (LED, VIB = -1.5 mA)	0.8 EV _{DD}			V
Output voltage, low	V _{OL3}	EV _{DD} = 3.0 V, I _{OL} = +1 mA (LED, VIB = +4 mA)			0.2 EV _{DD}	V
	V _{OL18}	EV _{DD} = 1.8 V, I _{OL} = +1 mA (LED, VIB = +1.5 mA)			0.2 EV _{DD}	V
Input leakage current, high	I _{LHN}	V _I = EV _{DD}	0		10	μA
Input leakage current, low	I _{LLN}	V _I = 0 V	-10		0	μA
High-impedance leakage current	I _{ZI}	0 V ≤ V _I ≤ EV _{DD}	0		-10	μA

Common ratings for switching characteristics



12.5 AC Characteristics

(Unless otherwise specified, $T_A = -20$ to $+85^\circ\text{C}$, with V_{DD} and EV_{DD} within recommended operating condition range)

12.5.1 Clock

Timing requirements

Parameter	Symbol	Conditions	MIN.	TYP.	MAX.	Unit
CLKIN input frequency	f_{CLKIN}	$V_{CLKIN} = 0.5V_{P-P}$	2.688		16.128	MHz
CLKIN input level	V_{CLKIN}	$f_{CLKIN} = 2.688 \text{ MHz to } 16.128 \text{ MHz}^{\text{Note 1}}$	0.5		Note 2	V_{P-P}
PLL lockup time	t_{LPLL}				1.0	ms

- Notes**
1. CLKIN input to be used as PLL input should have capacitive coupling (1000 pF).
 2. The maximum input level for CLKIN should not exceed the power supply (AV_{DD-P}) potential.

12.5.2 Reset

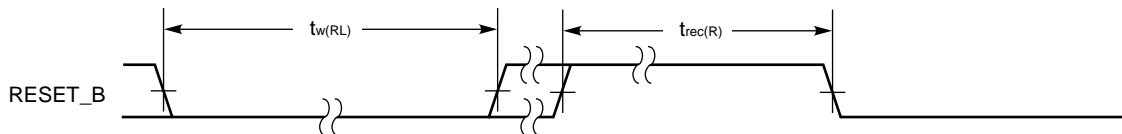
Timing requirements ($EV_{DD} = 3.0 \text{ V}$)

Parameter	Symbol	Conditions	MIN.	TYP.	MAX.	Unit
RESET_B low-level width	$t_{w(RL)}$		200			ns
RESET_B recovery time	$t_{rec(R)}$		200			ns

Timing requirements ($EV_{DD} = 1.8 \text{ V}$)

Parameter	Symbol	Conditions	MIN.	TYP.	MAX.	Unit
RESET_B low-level width	$t_{w(RL)}$		225			ns
RESET_B recovery time	$t_{rec(R)}$		225			ns

Reset timing



12.5.3 Host interface

Timing requirements (EV_{DD} = 3.0 V)

Parameter	Symbol	Conditions	MIN.	TYP.	MAX.	Unit
RD_B width	t _{wRD}		100			ns
WR_B width	t _{wWR}		100			ns
RD_B recovery time	t _{rcRD}	During read access to sound source register	30			ns
RD_B recovery time	t _{rcRD}	During read access to other than sound source register	200			ns
WR_B recovery time	t _{rcWR}	During write access to sound source register	60			ns
WR_B recovery time	t _{rcWR}	During consecutive access to write data to and read data from sound source register	100			ns
WR_B recovery time	t _{rcWR}	During write access to other than sound source register	200			ns
Data setup time	t _{suDI}	WR_B↑	50			ns
Data hold time	t _{hDI}	WR_B↑	0			ns
A, CS_B setup time	t _{suAW}	WR_B↑	15			ns
A, CS_B hold time	t _{hAW}	WR_B↑	0			ns
A, CS_B setup time	t _{suAR}	RD_B↓	0			ns
A, CS_B hold time	t _{hAR}	RD_B↑	0			ns

Timing requirements (EV_{DD} = 1.8 V)

Parameter	Symbol	Conditions	MIN.	TYP.	MAX.	Unit
RD_B width	t _{wRD}		125			ns
WR_B width	t _{wWR}		125			ns
RD_B recovery time	t _{rcRD}	During read access to sound source register	55			ns
RD_B recovery time	t _{rcRD}	During read access to other than sound source register	225			ns
WR_B recovery time	t _{rcWR}	During write access to sound source register	85			ns
WR_B recovery time	t _{rcWR}	During consecutive access to write data to and read data from sound source register	125			ns
WR_B recovery time	t _{rcWR}	During write access to other than sound source register	225			ns
Data setup time	t _{suDI}	WR_B↑	80			ns
Data hold time	t _{hDI}	WR_B↑	0			ns
A, CS_B setup time	t _{suAW}	WR_B↑	75			ns
A, CS_B hold time	t _{hAW}	WR_B↑	0			ns
A, CS_B setup time	t _{suAR}	RD_B↓	0			ns
A, CS_B hold time	t _{hAR}	RD_B↑	0			ns

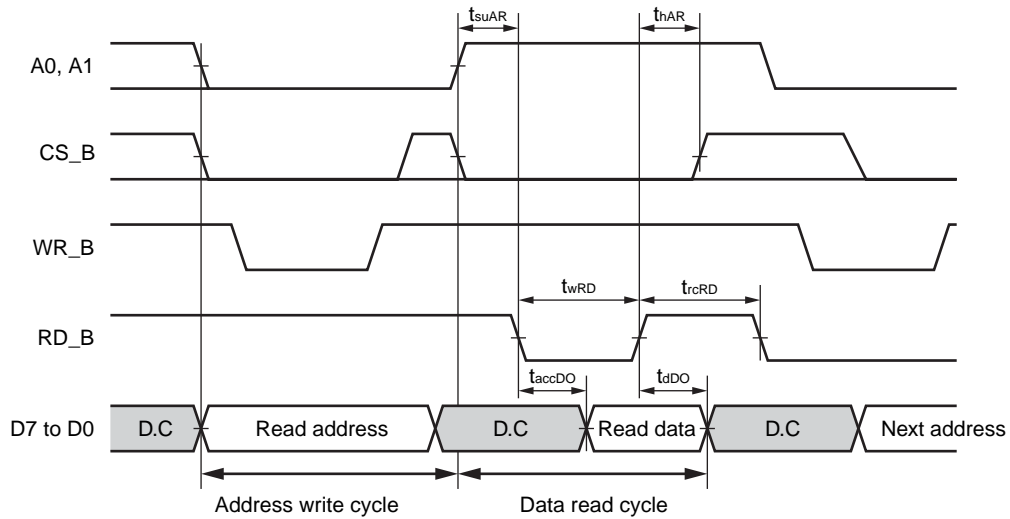
Switching characteristics (EV_{DD} = 3.0 V)

Parameter	Symbol	Conditions	MIN.	TYP.	MAX.	Unit
Data access time	t _{accDO}	RD_B↓, I _{sink} = 1 mA			100	ns
Data hold time	t _{dDO}	RD_B↑, I _{sink} = 1 mA	0		30	ns

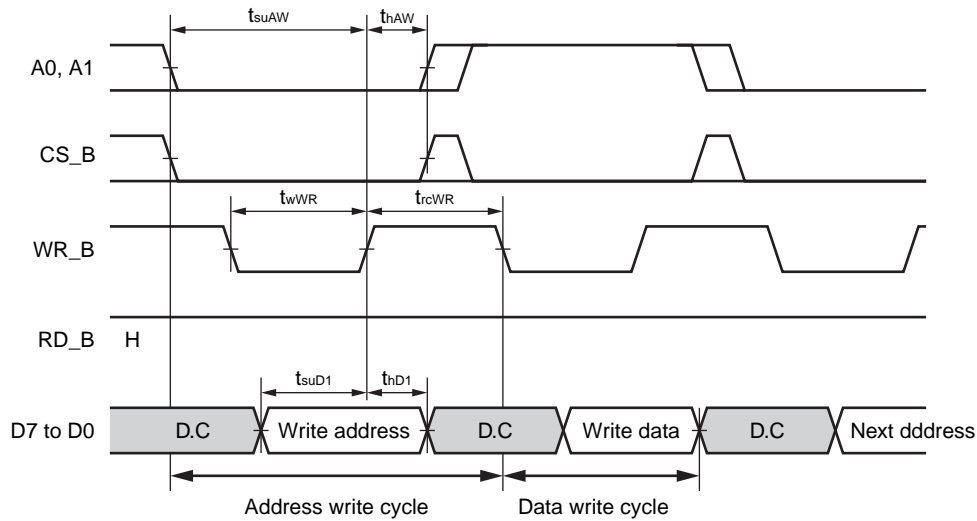
Switching characteristics (EV_{DD} = 1.8 V)

Parameter	Symbol	Conditions	MIN.	TYP.	MAX.	Unit
Data access time	t_{accDO}	RD_B↓, I _{sink} = 1 mA			125	ns
Data hold time	t_{dDO}	RD_B↑, I _{sink} = 1 mA	0		60	ns

Host interface read timing



Host interface write timing



12.5.4 Audio serial interface

Timing requirements (EV_{DD} = 3.0 V)

Parameter	Symbol	Conditions	MIN.	TYP.	MAX.	Unit
LRCLK cycle time	t _{cLR}			1/fs		ns
BCLK cycle time	t _{cBC}	When set to 64 bits per frame ^{Note}		1/(fs × 64)		ns
BCLK high-/low-level width	t _{wBC}			t _{cBC} /2		ns
BCLK rise/fall time	t _{r/fBC}				20	ns
LRCLK rising edge delay time	t _{dLRC}	BCLK↑	50			ns
LRCLK falling edge delay time	t _{dLRC}	BCLK↓	50			ns
ASI input setup time	t _{suASER}	BCLK↑	25			ns
ASI input hold time	t _{hASER}	BCLK↑	25			ns

Note The configuration of each frame varies according to the settings in the BFS[4:0] bits of the SLFS register (07H).

Timing requirements (EV_{DD} = 1.8 V)

Parameter	Symbol	Conditions	MIN.	TYP.	MAX.	Unit
LRCLK cycle time	t _{cLR}			1/fs		ns
BCLK cycle time	t _{cBC}	When set to 64 bits per frame ^{Note}		1/(fs × 64)		ns
BCLK high-/low-level width	t _{wBC}			t _{cBC} /2		ns
BCLK rise/fall time	t _{r/fBC}				20	ns
LRCLK rising edge delay time	t _{dLRC}	BCLK↑	50			ns
LRCLK falling edge delay time	t _{dLRC}	BCLK↓	50			ns
ASI input setup time	t _{suASER}	BCLK↑	50			ns
ASI input hold time	t _{hASER}	BCLK↑	50			ns

Note The configuration of each frame varies according to the settings in the BFS[4:0] bits of the SLFS register (07H).

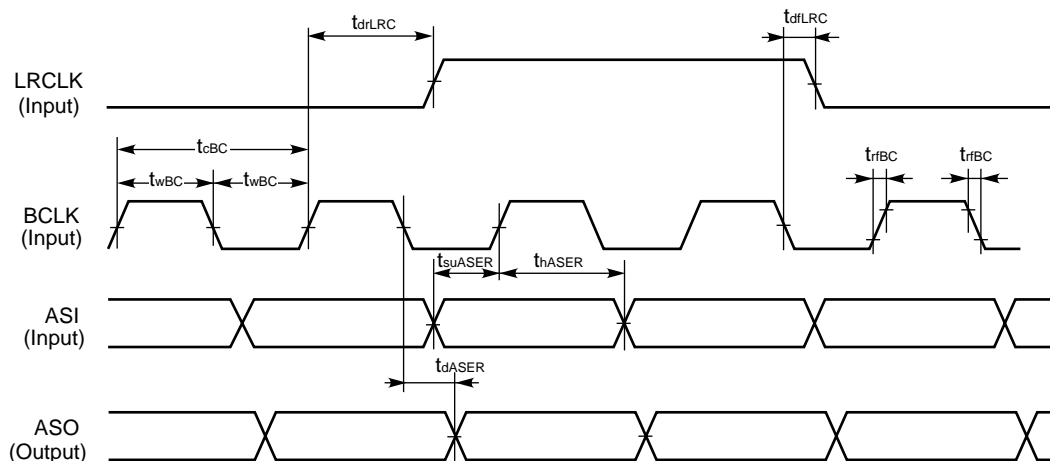
Switching characteristics (EV_{DD} = 3.0 V)

Parameter	Symbol	Conditions	MIN.	TYP.	MAX.	Unit
LRCLK output delay time	t _{dLRC}	BCLK↓			50	ns
ASO output delay time	t _{dASER}	BCLK↓	-12.5		+25	ns

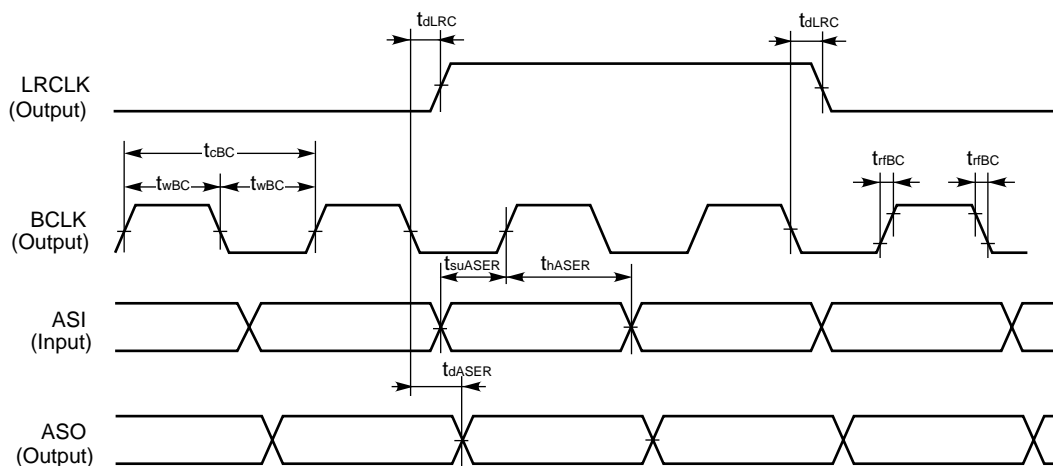
Switching characteristics (EV_{DD} = 1.8 V)

Parameter	Symbol	Conditions	MIN.	TYP.	MAX.	Unit
LRCLK output delay time	t _{dLRC}	BCLK↓			50	ns
ASO output delay time	t _{dASER}	BCLK↓	-37.5		+50	ns

Audio serial I/O timing (slave mode)



Audio serial I/O timing (master mode)



12.6 Analog Characteristics

The propagation characteristics from the D/A converter to the line output are described below. Unless otherwise specified, the following conditions must be met.

D/A converter input level INPUT = 0 dBFS (D/A converter's full scale input is defined as 0 dBFS)

D/A converter input frequency f_{IN} = 997 Hz

Sampling frequency f_s = 48 kHz

Ambient temperature T_A = 25°C

Power supply voltage AV_{DD} = 3.0 V

Output load R_L = 10 kΩ

Parameter	Symbol	Conditions	MIN.	TYP.	MAX.	Unit
Maximum output level	V_O	VOLUME = 0 dB	1.8	2.0	–	V_{p-p}
Gain error 1	GE_{max}	VOLUME = 0 dB, 0 dBr = 2.0 V_{p-p}	–1	0	+1	dBr
Gain error 2	GE_{min}	VOLUME = –45 dB, value relative to GE_{max} reference	–47	–45	–43	dB
Gain adjustment resolution	G_{step}	VOLUME = When 0 to –45 dB, differential error	1	1.5	2	dB
THD	THD	VOLUME = 0 dB, f = 20 kHz to 19.2 kHz	–	–80	–74	dB
Frequency characteristics 100 Hz to 19.2 kHz	GF	VOLUME = 0 dB, INPUT = –10 dBm@997 Hz, output when at 997 Hz is used as 0 dB reference	–1	0	+1	dB
Dynamic range	SND	VOLUME = 0 dB, INPUT = –60 dBFS, f = 20 kHz to 19.2 kHz, A-wgt filter	80	86	–	dB

12.7 Mode-Specific Current Consumption Characteristics

Unless otherwise specified, the following conditions must be met.

Sound source master clock = 55.104 MHz

Master clock other than sound source master clock = 24.576 MHz

D/A converter input level INPUT = 0 dBFS (D/A converter's full scale input is defined as 0 dBFS)

D/A converter input frequency f_{IN} = 1020 Hz

Sampling frequency f_s = 48 kHz

Ambient temperature T_A = 25°C

Power supply voltage AV_{DD} = AV_{DD-P} = EV_{DD} = 3.0 V, DV_{DD} = 1.5 V

Output load R_L = 10 kΩ

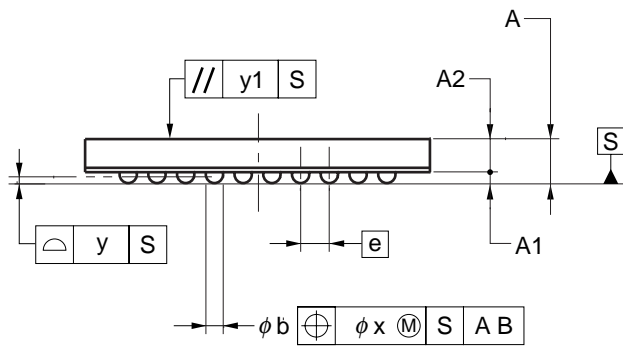
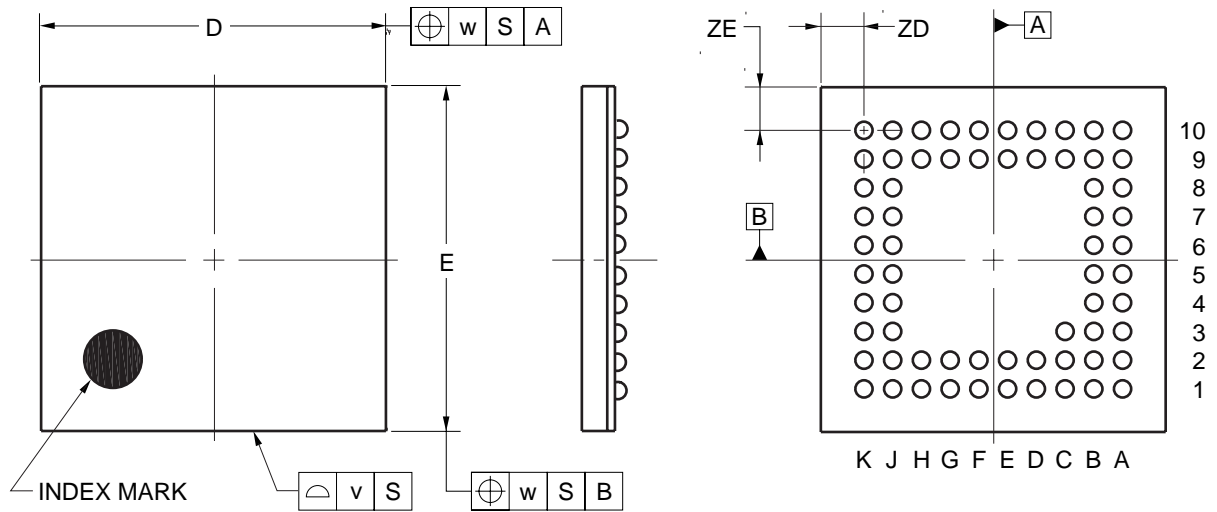
Parameter	Symbol	Conditions	Power Supply Pin	MIN.	TYP.	MAX.	Unit
Current during output from sound source to DAC	IDD1	AV _{DD} + AV _{DD-P} + DV _{DD} current when STDIG = STPLL2 = STPLL1 = STSYNTH = STDAC = STREF = 1, SLSORCE = 0 and sound generator is operating normally	DV _{DD}	–	30	45	mA
			AV _{DD}	–	8	14	mA
			AV _{DD-P}	–	3	6	mA
			EV _{DD} ^{Note}	–	–	1	mA
Current during output from sound source to ASO	IDD2	AV _{DD} + AV _{DD-P} + DV _{DD} current when STDIG = STPLL2 = STPLL1 = STSYNTH = STREF = 1, SLSORCE = 0, ASO = 1 and sound generator is operating normally	DV _{DD}	–	30	45	mA
			AV _{DD}	–	4	6	mA
			AV _{DD-P}	–	3	6	mA
			EV _{DD} ^{Note}	–	–	5	mA
Current during output from ASI to DAC	IDD3	AV _{DD} + AV _{DD-P} + DV _{DD} current when STDIG = STPLL1 = STDAC = STREF = 1, SLSORCE = 1, ASI = 1	DV _{DD}	–	5	8	mA
			AV _{DD}	–	8	14	mA
			AV _{DD-P}	–	2	4	mA
			EV _{DD} ^{Note}	–	–	1	mA
Current during output from ASI to ASO	IDD4	AV _{DD} + AV _{DD-P} + DV _{DD} current when STDIG = STPLL1 = STREF = 1, SLSORCE = 1, ASI = ASO = 1	DV _{DD}	–	5	8	mA
			AV _{DD}	–	4	6	mA
			AV _{DD-P}	–	2	4	mA
			EV _{DD} ^{Note}	–	–	5	mA
Standby current (command-driven)	ISTB	AV _{DD} + AV _{DD-P} + DV _{DD} current when STDIG = STPLL2 = STPLL1 = STASI = STASO = STSYNTH = STDAC = STREF = 0	DV _{DD}	–	5	300	μA
			AV _{DD}	–	1	5	μA
			AV _{DD-P}	–	1	5	μA
			EV _{DD} ^{Note}	–	–	1	mA

Note The EV_{DD} pin current is measured when there is no load.

In the actual operation of the μPD9991, the EV_{DD} pin current differs depending on the external environment such as the clock rate, load capacitance, and load resistance.

13. PACKAGE DRAWING

65-PIN TAPE FBGA (6x6)



(UNIT:mm)

ITEM	DIMENSIONS
D	6.00±0.10
E	6.00±0.10
v	0.15
w	0.20
e	0.50
A	0.83±0.10
A1	0.18±0.05
A2	0.65
b	0.32±0.05
x	0.05
y	0.08
y1	0.20
ZD	0.75
ZE	0.75

P65F9-50-BA1

14. RECOMMENDED SOLDERING CONDITIONS

The μPD9991 should be soldered and mounted under the following recommended conditions.

For soldering methods and conditions other than those recommended below, contact an NEC Electronics sales representative.

For technical information, see the following website.

Semiconductor Device Mount Manual (<http://www.necel.com/pkg/en/mount/index.html>)

- μPD9991F9-BA1: 65-pin tape FBGA (6 × 6)

Soldering Method	Soldering Conditions	Recommended Condition Symbol
Infrared reflow	Package peak temperature: 250°C, Time: 80 sec. max. (at 220°C or higher), Count: Two times or less, Exposure limit: 7 days ^{Note} (after that prebaking is necessary at 125°C for 10 to 72 hours)	IR50-107-2

Note After opening the dry pack, store it at 25°C or less and 65% RH or less for the allowable storage period.

[MEMO]

NOTES FOR CMOS DEVICES

① PRECAUTION AGAINST ESD FOR SEMICONDUCTORS

Note:

Strong electric field, when exposed to a MOS device, can cause destruction of the gate oxide and ultimately degrade the device operation. Steps must be taken to stop generation of static electricity as much as possible, and quickly dissipate it once, when it has occurred. Environmental control must be adequate. When it is dry, humidifier should be used. It is recommended to avoid using insulators that easily build static electricity. Semiconductor devices must be stored and transported in an anti-static container, static shielding bag or conductive material. All test and measurement tools including work bench and floor should be grounded. The operator should be grounded using wrist strap. Semiconductor devices must not be touched with bare hands. Similar precautions need to be taken for PW boards with semiconductor devices on it.

② HANDLING OF UNUSED INPUT PINS FOR CMOS

Note:

No connection for CMOS device inputs can be cause of malfunction. If no connection is provided to the input pins, it is possible that an internal input level may be generated due to noise, etc., hence causing malfunction. CMOS devices behave differently than Bipolar or NMOS devices. Input levels of CMOS devices must be fixed high or low by using a pull-up or pull-down circuitry. Each unused pin should be connected to V_{DD} or GND with a resistor, if it is considered to have a possibility of being an output pin. All handling related to the unused pins must be judged device by device and related specifications governing the devices.

③ STATUS BEFORE INITIALIZATION OF MOS DEVICES

Note:

Power-on does not necessarily define initial status of MOS device. Production process of MOS does not define the initial operation status of the device. Immediately after the power source is turned ON, the devices with reset function have not yet been initialized. Hence, power-on does not guarantee out-pin levels, I/O settings or contents of registers. Device is not initialized until the reset signal is received. Reset operation must be executed immediately after power-on for devices having reset function.

Regional Information

Some information contained in this document may vary from country to country. Before using any NEC Electronics product in your application, please contact the NEC Electronics office in your country to obtain a list of authorized representatives and distributors. They will verify:

- Device availability
- Ordering information
- Product release schedule
- Availability of related technical literature
- Development environment specifications (for example, specifications for third-party tools and components, host computers, power plugs, AC supply voltages, and so forth)
- Network requirements

In addition, trademarks, registered trademarks, export restrictions, and other legal issues may also vary from country to country.

[GLOBAL SUPPORT]

<http://www.necel.com/en/support/support.html>

NEC Electronics America, Inc. (U.S.)
Santa Clara, California
Tel: 408-588-6000
800-366-9782

NEC Electronics (Europe) GmbH
Duesseldorf, Germany
Tel: 0211-65 03 01

NEC Electronics Hong Kong Ltd.
Hong Kong
Tel: 2886-9318

- **Sucursal en España**
Madrid, Spain
Tel: 091-504 27 87

NEC Electronics Hong Kong Ltd.
Seoul Branch
Seoul, Korea
Tel: 02-558-3737

- **Succursale Française**
Vélizy-Villacoublay, France
Tel: 01-30-67 58 00

NEC Electronics Shanghai, Ltd.
Shanghai, P.R. China
Tel: 021-6841-1138

- **Filiale Italiana**
Milano, Italy
Tel: 02-66 75 41

NEC Electronics Taiwan Ltd.
Taipei, Taiwan
Tel: 02-2719-2377

- **Branch The Netherlands**
Eindhoven, The Netherlands
Tel: 040-244 58 45

NEC Electronics Singapore Pte. Ltd.
Novena Square, Singapore
Tel: 6253-8311

- **Tyskland Filial**
Taeby, Sweden
Tel: 08-63 80 820

- **United Kingdom Branch**
Milton Keynes, UK
Tel: 01908-691-133

J03.4

- **The information in this document is current as of January, 2004. The information is subject to change without notice. For actual design-in, refer to the latest publications of NEC Electronics data sheets or data books, etc., for the most up-to-date specifications of NEC Electronics products. Not all products and/or types are available in every country. Please check with an NEC Electronics sales representative for availability and additional information.**
- No part of this document may be copied or reproduced in any form or by any means without the prior written consent of NEC Electronics. NEC Electronics assumes no responsibility for any errors that may appear in this document.
- NEC Electronics does not assume any liability for infringement of patents, copyrights or other intellectual property rights of third parties by or arising from the use of NEC Electronics products listed in this document or any other liability arising from the use of such products. No license, express, implied or otherwise, is granted under any patents, copyrights or other intellectual property rights of NEC Electronics or others.
- Descriptions of circuits, software and other related information in this document are provided for illustrative purposes in semiconductor product operation and application examples. The incorporation of these circuits, software and information in the design of a customer's equipment shall be done under the full responsibility of the customer. NEC Electronics assumes no responsibility for any losses incurred by customers or third parties arising from the use of these circuits, software and information.
- While NEC Electronics endeavors to enhance the quality, reliability and safety of NEC Electronics products, customers agree and acknowledge that the possibility of defects thereof cannot be eliminated entirely. To minimize risks of damage to property or injury (including death) to persons arising from defects in NEC Electronics products, customers must incorporate sufficient safety measures in their design, such as redundancy, fire-containment and anti-failure features.
- NEC Electronics products are classified into the following three quality grades: "Standard", "Special" and "Specific".

The "Specific" quality grade applies only to NEC Electronics products developed based on a customer-designated "quality assurance program" for a specific application. The recommended applications of an NEC Electronics product depend on its quality grade, as indicated below. Customers must check the quality grade of each NEC Electronics product before using it in a particular application.

"Standard": Computers, office equipment, communications equipment, test and measurement equipment, audio and visual equipment, home electronic appliances, machine tools, personal electronic equipment and industrial robots.

"Special": Transportation equipment (automobiles, trains, ships, etc.), traffic control systems, anti-disaster systems, anti-crime systems, safety equipment and medical equipment (not specifically designed for life support).

"Specific": Aircraft, aerospace equipment, submersible repeaters, nuclear reactor control systems, life support systems and medical equipment for life support, etc.

The quality grade of NEC Electronics products is "Standard" unless otherwise expressly specified in NEC Electronics data sheets or data books, etc. If customers wish to use NEC Electronics products in applications not intended by NEC Electronics, they must contact an NEC Electronics sales representative in advance to determine NEC Electronics' willingness to support a given application.

(Note)

- (1) "NEC Electronics" as used in this statement means NEC Electronics Corporation and also includes its majority-owned subsidiaries.
- (2) "NEC Electronics products" means any product developed or manufactured by or for NEC Electronics (as defined above).