

Stepping Motors

M10SP-2N

OUTLINE

Developed as a model to complete the medium and small motor product lineups to meet the increasing demands to support space-saving requirements for smaller set size and for additional functions.

Suitable for PC peripheral equipment to drive a variety of small equipment.



FEATURES

1. Small size, high output.
2. Low detent
3. Step angle 18°

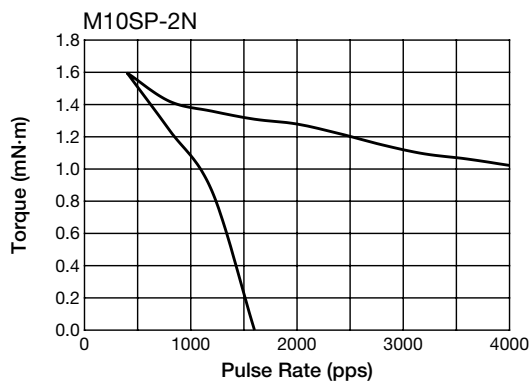
USES

Drive for all types of small equipment.

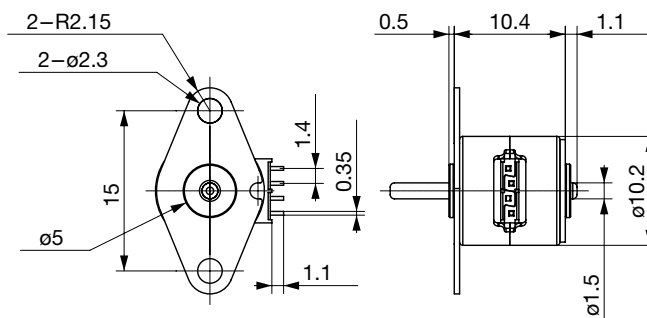
SPECIFICATIONS

Items	M10SP-2N
Rated Voltage	DC 24V
Working Voltage	DC21.6~26.4V
Rated Current/Phase	260mA
No. of Phase	2 Phase
Coil DC Resistance	15Ω/phase±10%
Step Angle	18°/step
Excitation Method	2-2 Phase excitation (Bipolar driving)
Insulation Class	Class E insulation
Holding Torque	1.7mN·m
Pull-out Torque	1.0mN·m/2400pps
Pull-in Torque	1.0mN·m/800pps
Max. Pull-out Pulse Rate	12000pps
Max. Pull-in Pulse Rate	1600pps

CHARACTERISTICS



DIMENSIONS



Unit : mm, General tolerance : ±0.5