

Distinctive Characteristics

Three methods of panel mounting: flat frame for flush with face or subpanel, snap-in, and PCB.

High insulating barriers increase isolation of circuits in multipole devices and provide added protection to contact points.

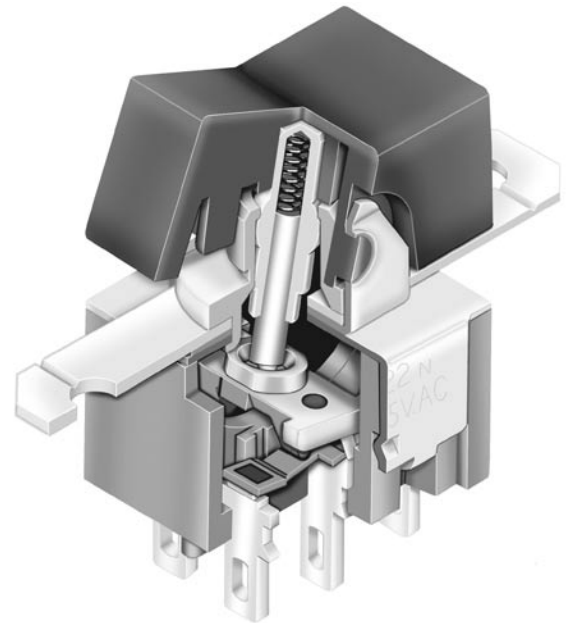
The molded diallyl phthalate case has a UL 94V-0 flammability rating.

Epoxy sealed terminals prevent entry of solder flux and other contaminants.

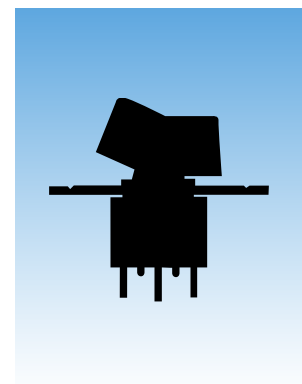
Prominent external insulating barriers increase insulation resistance and dielectric strength.

Bias guard prevents misalignment of contacts; interlocking of actuator block with rocker and internal guide does not allow transmission of diagonal force on rocker to reach contact mechanism.

Clinching of the frame to the case well above the base and terminals provides 1,500V dielectric strength.



Actual Size



General Specifications

Electrical Capacity (Resistive Load)

Power Level (code W):	6A @ 125V AC & 3A @ 250V AC 4A @ 30V DC for On-None-On; 3A @ 30V DC for all other circuits
Logic Level (code G):	0.4VA maximum @ 28V AC/DC maximum (Applicable Range 0.1mA ~ 0.1A @ 20mV ~ 28V)
Logic/Power Level (code A):	Combines W & G ratings Note: Find additional explanation of dual rating & operating range in Supplement section.

Other Ratings

Contact Resistance:	10 milliohms maximum for silver; 20 milliohms maximum for gold
Insulation Resistance:	1,000 megohms minimum @ 500V DC
Dielectric Strength:	1,000V AC minimum between contacts for 1 minute minimum; 1,500V AC minimum between contacts and case for 1 minute minimum
Mechanical Life:	50,000 operations minimum
Electrical Life:	25,000 operations minimum for silver; 50,000 operations minimum for gold; 50,000 operations minimum for silver at 3A @ 125V AC
Angle of Throw:	25°

Materials & Finishes

Actuator Clip & Mounting Frame:	Stainless Steel
Body Frame:	Stainless steel
Case:	Diallyl phthalate resin (UL94V-0)
Movable Contactor:	Phosphor bronze with silver or gold plating
Movable Contacts:	Silver alloy (code W); copper with gold plating (code G); or silver alloy with gold plating (code A)
Stationary Contacts:	Silver with silver plating (code W); copper or brass with gold plating (code G); or silver with gold plating (code A)
Terminals:	Copper or brass with silver plating; or copper or brass with gold plating



Environmental Data

Operating Temp Range:	-30°C through +85°C (-22°F through +185°F)
Humidity:	90 ~ 95% humidity for 96 hours @ 40°C (104°F)
Vibration:	10 ~ 55Hz with peak-to-peak amplitude of 1.5mm traversing the frequency range & returning in 1 minute; 3 right angled directions for 2 hours
Shock:	50G (490m/s ²) acceleration (tested in 6 right angled directions, with 5 shocks in each direction)

Processing

Soldering:	Wave Soldering (PC version) for Gold: See Profile A in Supplement section. Manual Soldering for Gold: See Profile A in Supplement section. Wave Soldering (PC version) for Silver: See Profile B in Supplement section. Manual Soldering for Silver: See Profile B in Supplement section. Note: Actuator must be in OFF (center) position while soldering.
Cleaning:	These devices are not process sealed. Hand clean locally using alcohol based solution.

Standards & Certifications

Flammability Standards:	UL94V-0 for case
 UL Recognized:	All models recognized at 6A @ 125V AC or 3A @ 250V AC or 0.4VA maximum @ 28V DC maximum; UL File No. WOYR2.E44145; add "/U" to end of part number to order UL mark on switch.
 CSA Certified:	All models recognized at 6A @ 125V AC or 3A @ 250V AC or 0.4VA maximum @ 28V maximum; CSA File No. 023535-0-000; add "/C" to end of part number to order CSA mark on switch.

TYPICAL SWITCH ORDERING EXAMPLE

M20 **1** **3** **TX** **G**

POLES		
1	SPDT	
2	DPDT SP3T	
3	3PDT (used only with terminal codes 30 & 41 & frame code TX)	
4	4PDT DP3T (used only with terminal code 41 & frame code TX)	

MOUNTING FRAMES		
TX	Narrow Frame for Small Actuator	
TZ	Wide Frame for Large Actuator	

CIRCUITS		
2	ON	NONE ON
3	ON	OFF ON
5	ON	NONE (ON)
8	(ON)	OFF (ON)
9	ON	OFF (ON)
*4	ON	ON ON
*6	(ON)	ON (ON)
*7	ON	ON (ON)

CONTACT MATERIALS & RATINGS	
W	Silver; Rated 6A @ 125V AC & 3A @ 250V AC
G	Gold; Rated 0.4VA max @ 28V AC/DC max
A	Gold over Silver; Rated 6A @ 125V AC & 0.4VA max @ 28V AC/DC max

() = Momentary
* 3-ON circuits

41 **D** **C**

TERMINALS FOR TX & TZ FRAMES	
Straight PC with Bracket (1-2 Pole only)	
13	.250" (6.35mm) Straight PC with .465" (11.8mm) Bracket
15	.425" (10.8mm) Straight PC with .630" (16.0mm) Bracket
17	.964" (24.5mm) Straight PC with 1.150" (29.2mm) Bracket
Straight PC with Reinforced Bracket (1-2 Pole only)	
23	.250" (6.35mm) Straight PC with .465" (11.8mm) Bracket
25	.425" (10.8mm) Straight PC with .630" (16.0mm) Bracket
26	.750" (19.05mm) Straight PC with .953" (24.2mm) Bracket
TERMINALS FOR TX FRAME ONLY	
Right Angle PC with Support (1-3 Pole only)	
30	.150" (3.81mm) Right Angle PC
Vertical PC with Support (1-4 Pole)	
41	.150" (3.81mm) Vertical PC

ROCKERS & PADDLES	
Small Actuators (TX Frame)	
D	.365" (9.27mm) Wide Rocker
E	.365" (9.27mm) Wide Paddle
F	.450" (11.43mm) Wide Rocker
G	.450" (11.43mm) Wide Paddle
Large Actuators (TZ Frame)	
J	.595" (15.11mm) Wide Rocker
H	.595" (15.11mm) Wide Paddle

ROCKER & PADDLE COLORS	
A	Black
B	White
C	Red
E	Yellow
F	Green
G	Blue
H	Gray

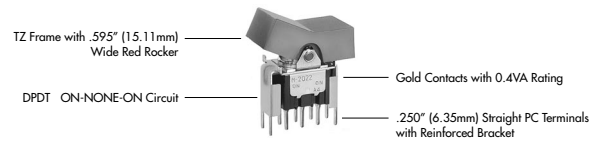
IMPORTANT:

Switches are supplied without UL & CSA marking unless specified. Specific models & ratings noted on General Specifications page.

DESCRIPTION FOR TYPICAL ORDERING EXAMPLE
M2013TXG41-DC



DESCRIPTION FOR TYPICAL ORDERING EXAMPLE
M2022TZG23-JC



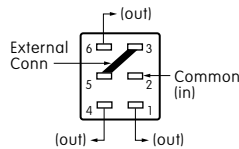
POLES & CIRCUITS

Pole	Model	Rocker Position () = Momentary			Connected Terminals			Throw & Schematics Note: Terminal numbers are not actually on the switch. * Reverse circuits available for vertical mount SP & DP upon request.
		Down	Center	Up	Down	Center	Up	
SP	M2012	ON	NONE	ON	2-3	OPEN	2-1	SPDT
	M2013	ON	OFF	ON				
	*M2015	ON	NONE	(ON)				
	M2018	(ON)	OFF	(ON)				
	*M2019	ON	OFF	(ON)				
DP	M2022	ON	NONE	ON	2-3 5-6	OPEN	2-1 5-4	DPDT
	M2023	ON	OFF	ON				
	*M2025	ON	NONE	(ON)				
	M2028	(ON)	OFF	(ON)				
	*M2029	ON	OFF	(ON)				
3P	M2032	ON	NONE	ON	2-3 5-6 8-9	OPEN	2-1 5-4 8-7	3PDT
	M2033	ON	OFF	ON				
	M2035	ON	NONE	(ON)				
	M2038	(ON)	OFF	(ON)				
	M2039	ON	OFF	(ON)				
4P	M2042	ON	NONE	ON	2-3 5-6 8-9 11-12	OPEN	2-1 5-4 8-7 11-10	4PDT
	M2043	ON	OFF	ON				
	M2045	ON	NONE	(ON)				
	M2048	(ON)	OFF	(ON)				
	M2049	ON	OFF	(ON)				

For 3 Throw (3-On)

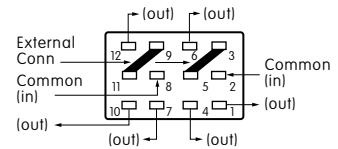
Pole	Model	Down	Center	Up	Connected Terminals & Schematics	
SP	M2024	ON	ON	ON	 2-3 5-6	
	M2026	(ON)	ON	(ON)		 2-3 5-4
	M2027	ON	ON	(ON)		
DP	M2044	ON	ON	ON	 2-3 5-6 8-9 11-12	
	M2046	(ON)	ON	(ON)		 2-3 5-4 8-9 11-10
	M2047	ON	ON	(ON)		

The SP3T model utilizes a double pole base.



External connection must be made during field installation.

The DP3T model utilizes a four pole base.

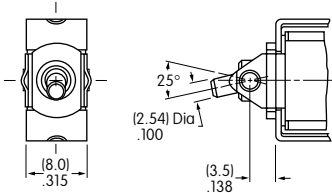


External connection must be made during field installation.

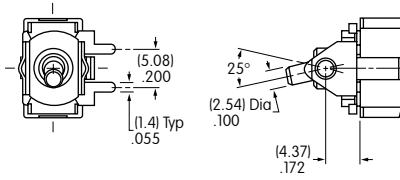
MOUNTING FRAMES

TX Narrow Mounting Frame for Small Actuators with Straight PC Terminals (codes 13, 15, 17, 23, 25, & 26) or with Angle PC Terminals (codes 30 & 41)

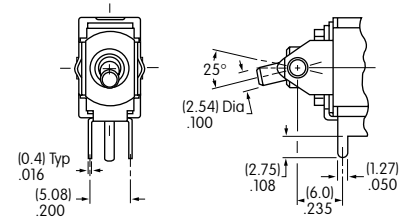
Straight PC Mounting



Right Angle PC Mounting

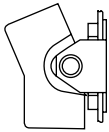


Vertical PC Mounting

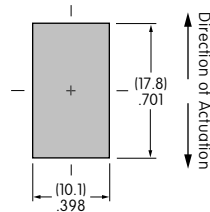
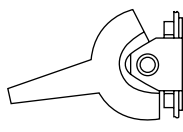


Small Actuators & Panel Cutouts for TX Frame (actuator details on the following pages)

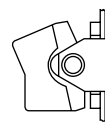
AT4148



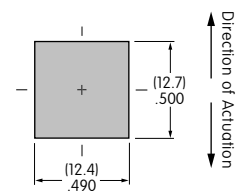
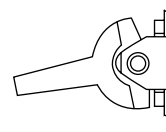
AT4149



AT4150



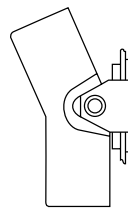
AT4151



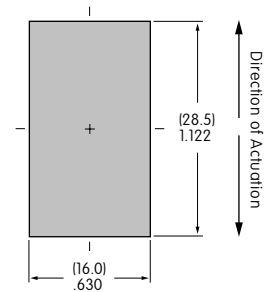
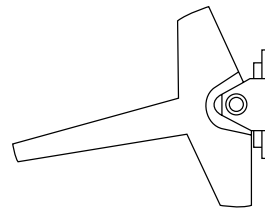
TZ Wide Mounting Frame for Large Actuators with Straight PC Terminals (codes 13, 15, 17, 23, 25, & 26)

Large Actuators & Panel Cutouts for TZ Frame (actuator details on the following pages)

AT4156



AT4157



CONTACT MATERIALS & RATINGS

W Silver over Silver Power Level 6A @ 125V AC & 3A @ 250V AC

G Gold over Brass or Copper Logic Level 0.4VA maximum @ 28V AC/DC maximum

Note: See Supplement section to find complete explanation of operating range.

A Gold over Silver Power Level or Logic Level 6A @ 125V AC or 0.4VA maximum @ 28V AC/DC maximum

Note: This dual rated option is suitable when two or more identical switches are used in logic and in power circuits within the same application. See Supplement section to find complete explanation of dual rating and operating range.

TERMINALS

For TX and TZ 1-2 Pole
Straight PC Mount with Bracket

For TX and TZ 1-2 Pole
Straight PC Mount with Reinforced Bracket

13

.250" (6.35mm)
Terminal with
.465" (11.8mm)
Bracket

15

.425" (10.8mm)
Terminal with
.630" (16.0mm)
Bracket

17

.964" (24.5mm)
Terminal with
1.150" (29.2mm)
Bracket

23

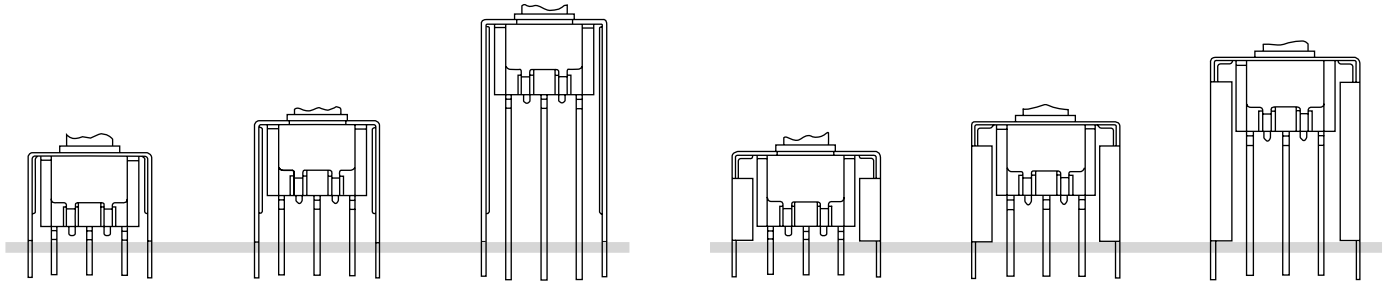
.250" (6.35mm)
Terminal with
.465" (11.8mm)
Bracket

25

.425" (10.8mm)
Terminal with
.630" (16.0mm)
Bracket

26

.750" (19.05mm)
Terminal with
.953" (24.2mm)
Bracket



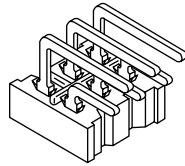
PCB footprints are on the following Typical Switch Dimension pages.

For TX 1-3 Pole Right Angle PC Mount

For TX 1-4 Pole Vertical PC Mount

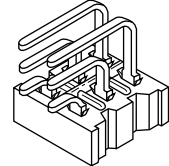
30

.150" (3.81mm)
Right Angle PC



41

.150" (3.81mm)
Vertical PC

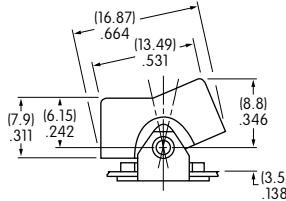
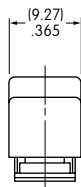


ROCKERS & PADDLES FOR TX MOUNTING FRAMES

D

AT4148 .365" (9.27mm)
Wide Rocker

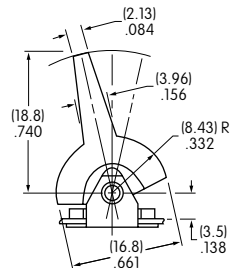
Material: Polyamide
Finish: Matte



E

AT4149 .365" (9.27mm)
Wide Paddle

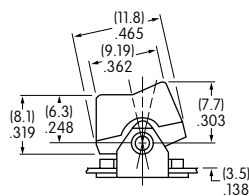
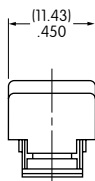
Material: Polyamide
Finish: Matte



F

AT4150 .450" (11.43mm)
Wide Rocker

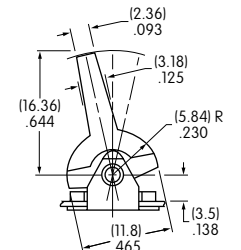
Material: Polyamide
Finish: Matte



G

AT4151 .450" (11.43mm)
Wide Paddle

Material: Polyamide
Finish: Matte



Cap Colors
Available:

A

Black

B

White

C

Red

E

Yellow

F

Green

G

Blue

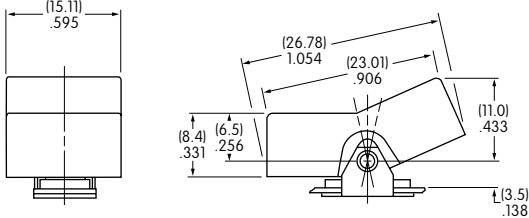
H

Gray

ROCKERS & PADDLES FOR TZ MOUNTING FRAMES

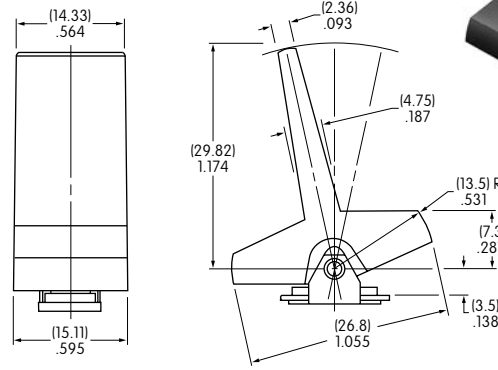
J AT4156 .595" (15.11mm) Wide Rocker

Material: Polyamide
Finish: Matte



H AT4157 .595" (15.11mm) Wide Paddle

Material: Polyamide
Finish: Matte



Cap Colors Available:



Black



White



Red



Yellow



Green



Blue



Gray

OPTIONAL SNAP-IN PANEL FRAMES

Used with AT4148 Rocker and AT4149 Paddle

AT064-1

Accommodates .047" ~ .090"
(1.2 ~ 2.3mm) panel thickness

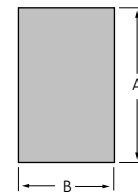
Material: Polyamide
Finish: Matte
Color: Black

Mounted separately from switches

Cutout Tolerances:

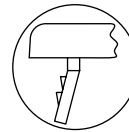
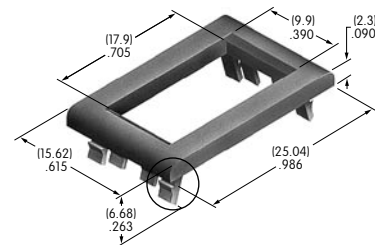
Dimension A:
.797" ~ .803" (20.24 ~ 20.4mm)

Dimension B:
.495" ~ .505" (12.57 ~ 12.83mm)

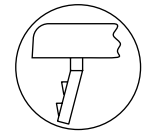


AT064-2

Accommodates .062" ~ .125"
(1.57 ~ 3.18mm) panel thickness



AT064-1 Enlarged Detail



AT064-2 Enlarged Detail

Used with AT4150 Rocker and AT4151 Paddle

AT065-1

Accommodates .047" ~ .090"
(1.2 ~ 2.3mm) panel thickness

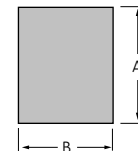
Material: Polyamide
Finish: Matte
Color: Black

Mounted separately from switches

Cutout Tolerances:

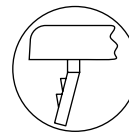
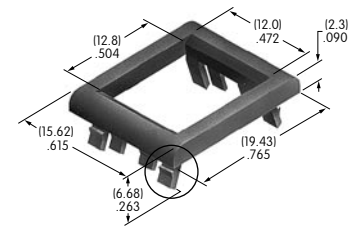
Dimension A:
.595" ~ .605" (15.11 ~ 15.37mm)

Dimension B:
.495" ~ .500" (12.57 ~ 12.7mm)

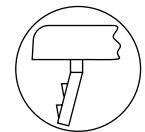


AT065-2

Accommodates .062" ~ .125"
(1.57 ~ 3.18mm) panel thickness



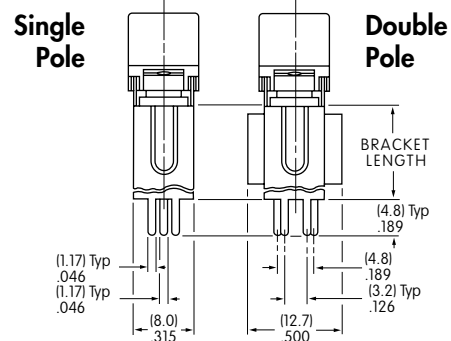
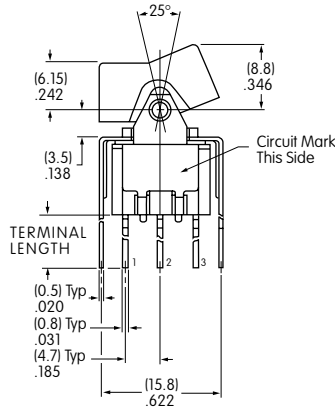
AT065-1 Enlarged Detail



AT065-2 Enlarged Detail

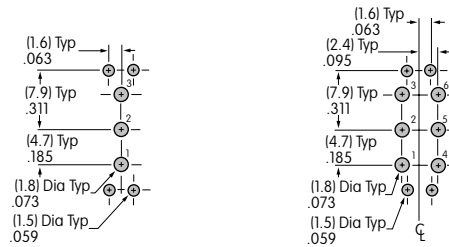
TYPICAL SWITCH DIMENSIONS

Straight PC • Bracket

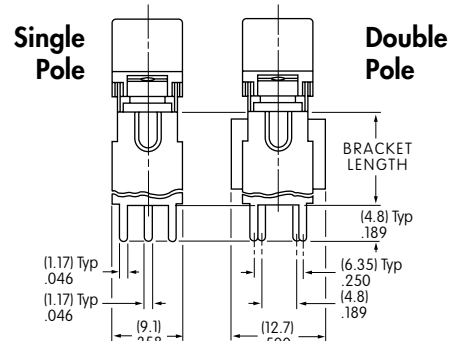
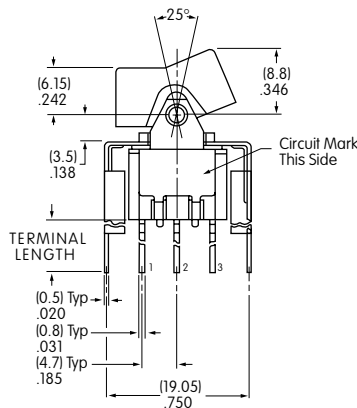


M2012TXG13-DC

Terminal Code:	Terminal Length:	Bracket Length:
13	.250" (6.35mm)	.465" (11.8mm)
15	.425" (10.8mm)	.630" (16.0mm)
17	.964" (24.5mm)	1.150" (29.2mm)

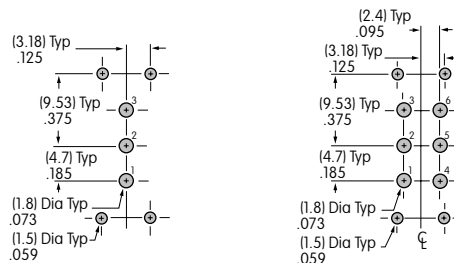


Straight PC • Reinforced Bracket



M2012TXG23-DC

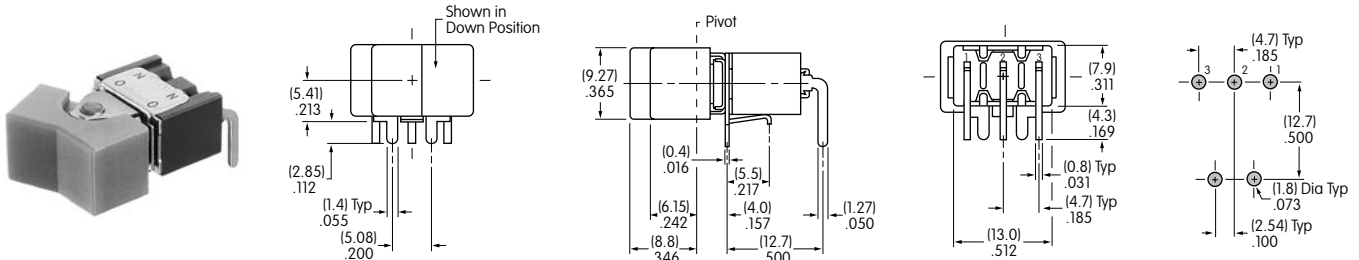
Terminal Code:	Terminal Length:	Bracket Length:
23	.250" (6.35mm)	.465" (11.8mm)
25	.425" (10.8mm)	.630" (16.0mm)
26	.750" (19.05mm)	.953" (24.2mm)



TYPICAL SWITCH DIMENSIONS

.150" (3.81mm) Right Angle PC

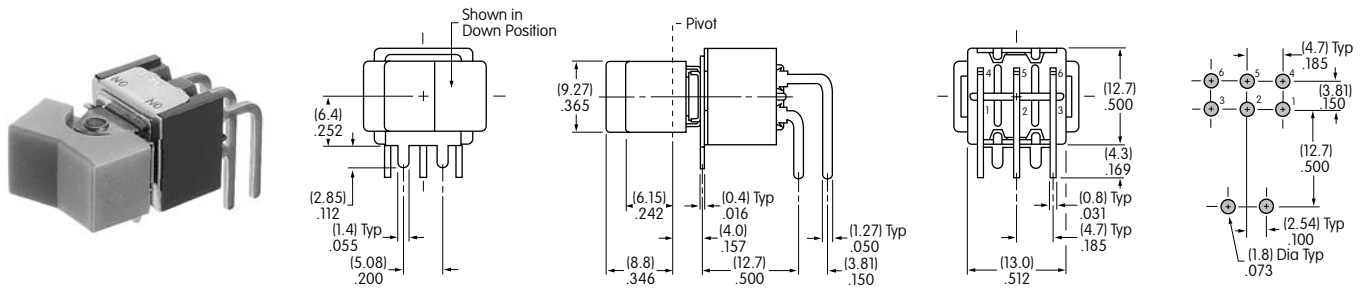
Single Pole



M2012TXG30-DC

.150" (3.81mm) Right Angle PC

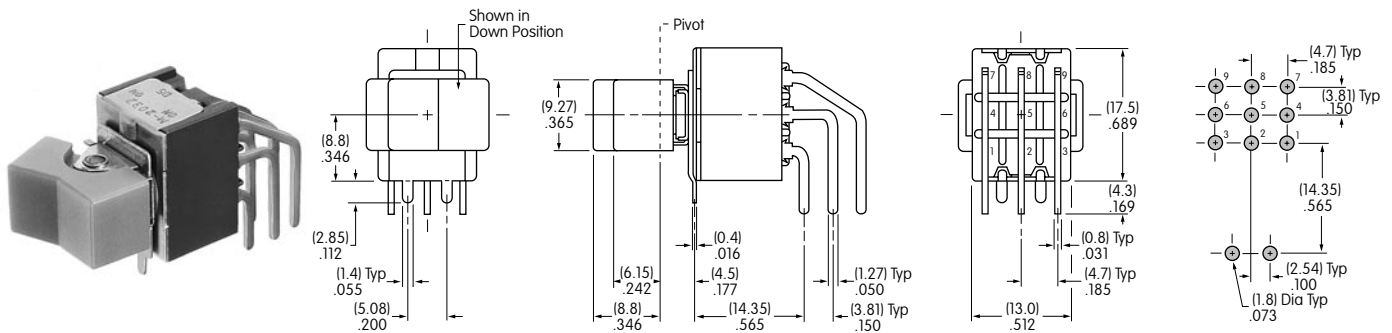
Double Pole



M2022TXG30-DC

.150" (3.81mm) Right Angle PC

Three Pole

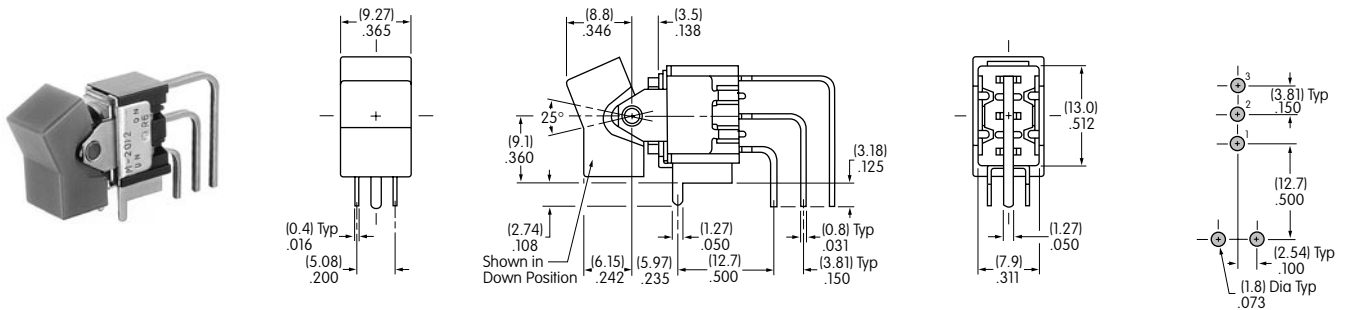


M2032TXG30-DC

TYPICAL SWITCH DIMENSIONS

.150" (3.81mm) Vertical PC

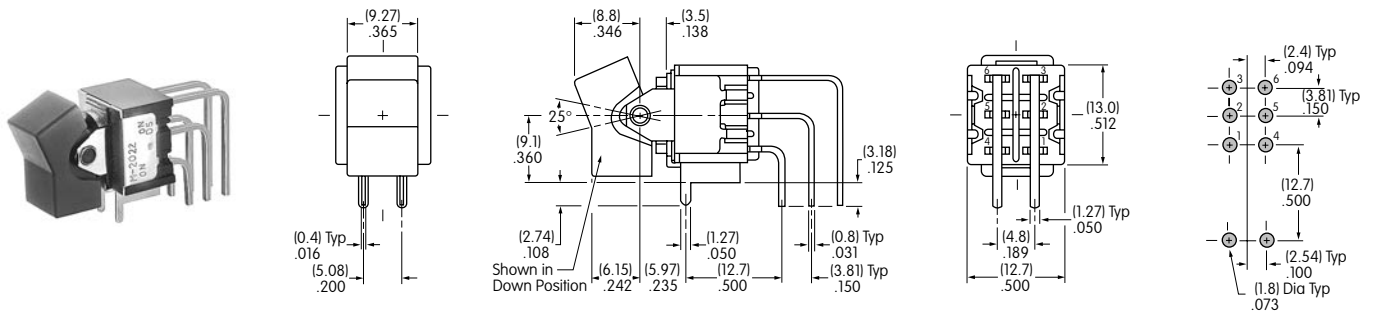
Single Pole



M2012TXG41-DC

.150" (3.81mm) Vertical PC

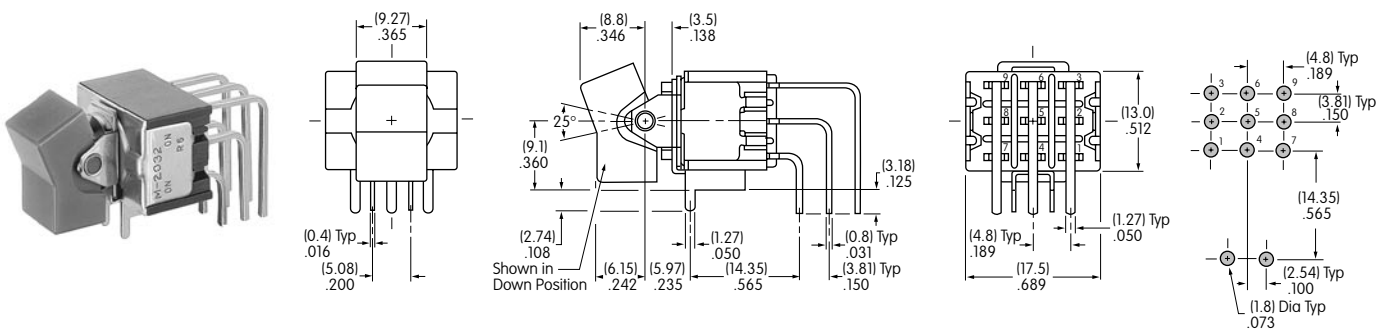
Double Pole



M2022TXG41-DC

.150" (3.81mm) Vertical PC

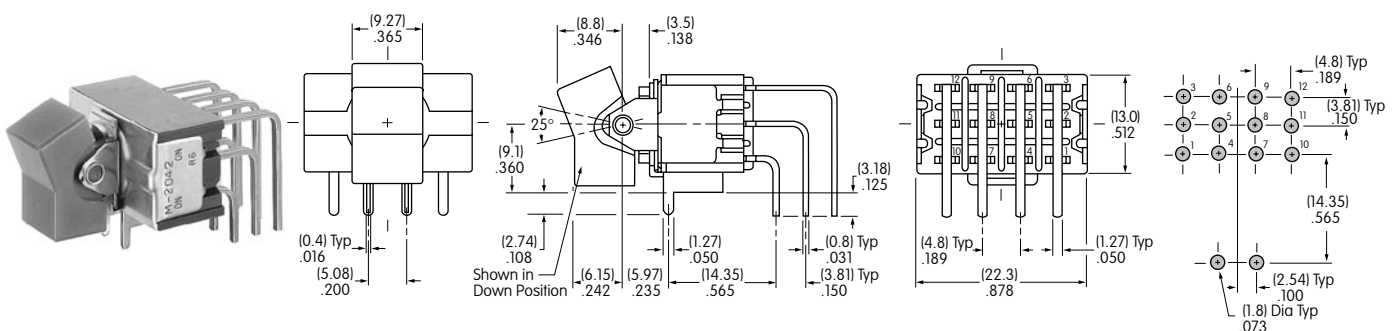
Three Pole



M2032TXG41-DC

.150" (3.81mm) Vertical PC

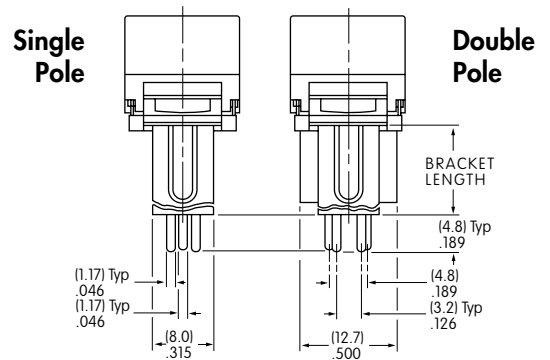
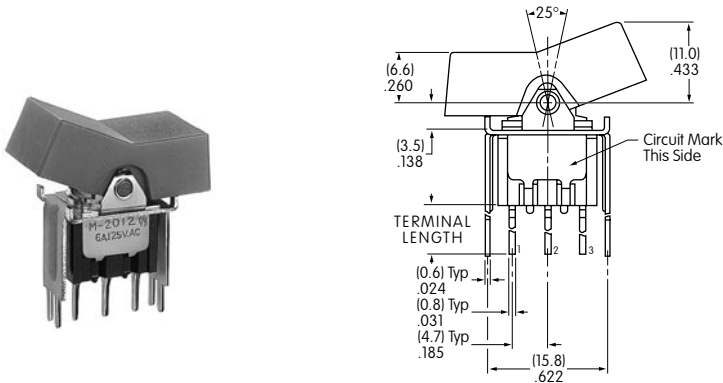
Four Pole



M2042TXG41-DC

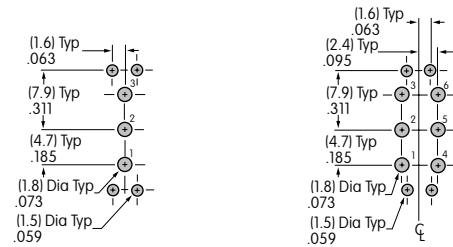
TYPICAL SWITCH DIMENSIONS

Straight PC • Bracket

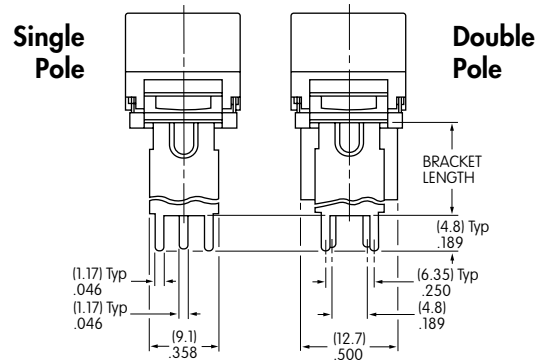
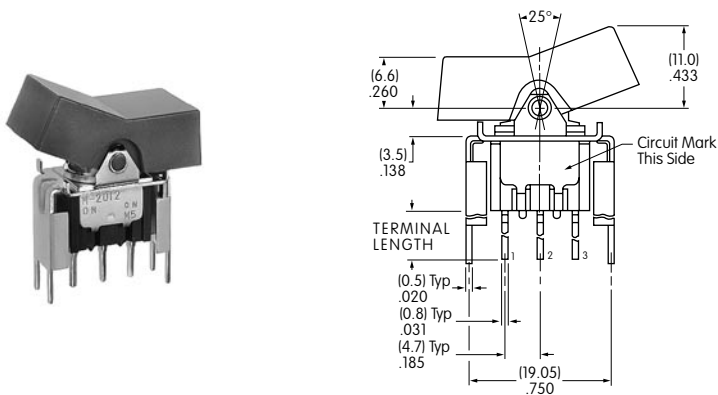


M2012T2G13-JC

Terminal Code:	Terminal Length:	Bracket Length:
13	.250" (6.35mm)	.465" (11.8mm)
15	.425" (10.8mm)	.630" (16.0mm)
17	.964" (24.5mm)	1.150" (29.2mm)

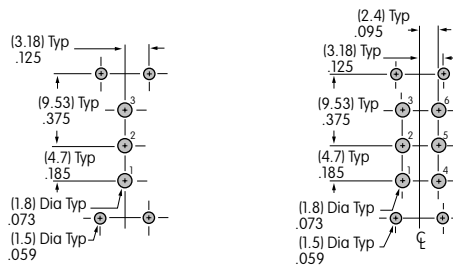


Straight PC • Reinforced Bracket



M2012T2G23-JC

Terminal Code:	Terminal Length:	Bracket Length:
23	.250" (6.35mm)	.465" (11.8mm)
25	.425" (10.8mm)	.630" (16.0mm)
26	.750" (19.05mm)	.953" (24.2mm)

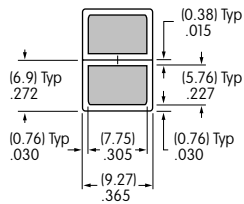


LEGENDS

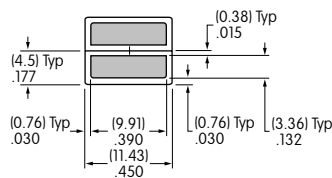
General information and basic specifications are presented here for customers who want to do their own legends.

Suggested Printable Area for Cap

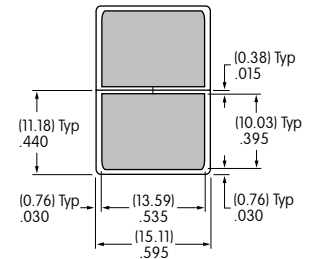
AT4148



AT4150



AT4156



Shaded areas are printable areas.

Recommended Print Method:

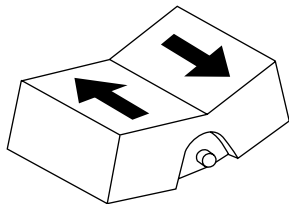
Screen Print or Pad Print

Epoxy based ink is recommended.

Additional Method

An additional method for legends is engraving the cap. Maximum depth for engraving is .012" (0.3mm) on the cap. Enamel paint is recommended to fill the engraved area.

LEGEND PACKET



1. To order caps with legends contact the factory and request the M Rocker Legend Packet.
2. Once you determine your desired legend, fill out the ordering work sheet included in the packet.
3. Return the completed work sheet to receive a quotation.