

## HSL Series

## IR-Lamps

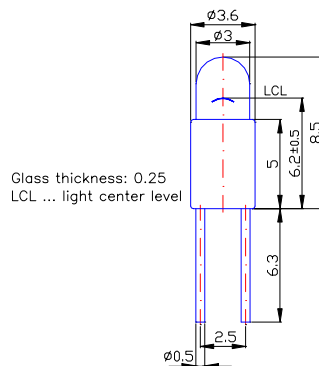
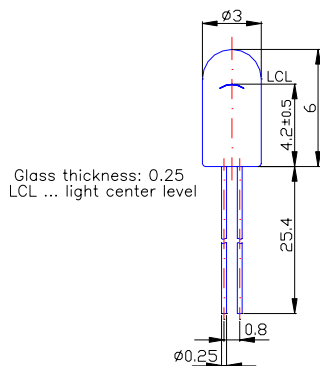
The lamps HSL 5/115 or HSL5/115-S are low cost and reliable IR sources for nondispersive infrared (NDIR) gas detection by IR light absorption, e.g. for gases like CO<sub>2</sub> and hydrocarbons. The IR lamp combines a small design, good processability and has a long lifetime. The lamps meet the requirements of the European Union RoHS (Regulation of Hazardous Substances) directive.

Parameter	HSL 5-115 HSL 5-115-S	HSL-5-60	Tolerances	Unit	Conditions
supply voltage	5	5		Volt	
current	115	60	± 10%	mA	
brightness	0,15	0,05	± 25%	MSCP	visible light
filament	C-2R	C-2R			
operating temperature	-20..100	-20..100		°C	
average lifetime	40000	100000		hours	5V, AC

### Ordering Information:

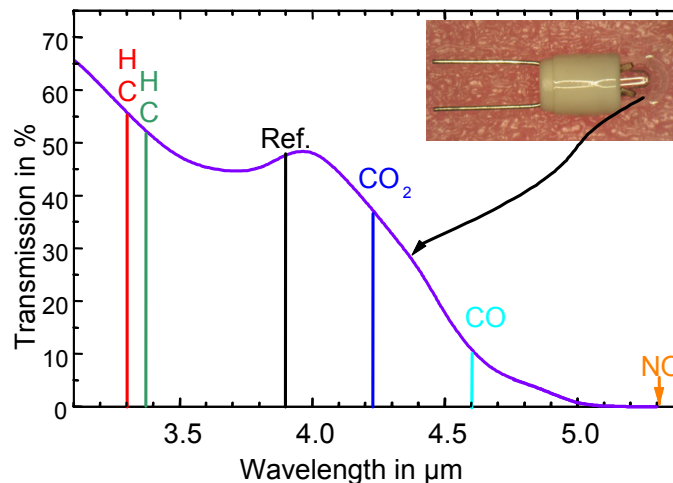
HSL / supply voltage /  
typical current – socket or  
non-socket-type

e.g.: HSL 5/115-S



filament type  
C-2R

## Spectral Transmission



Modifications reserved Rev.01 / 06.04.2008