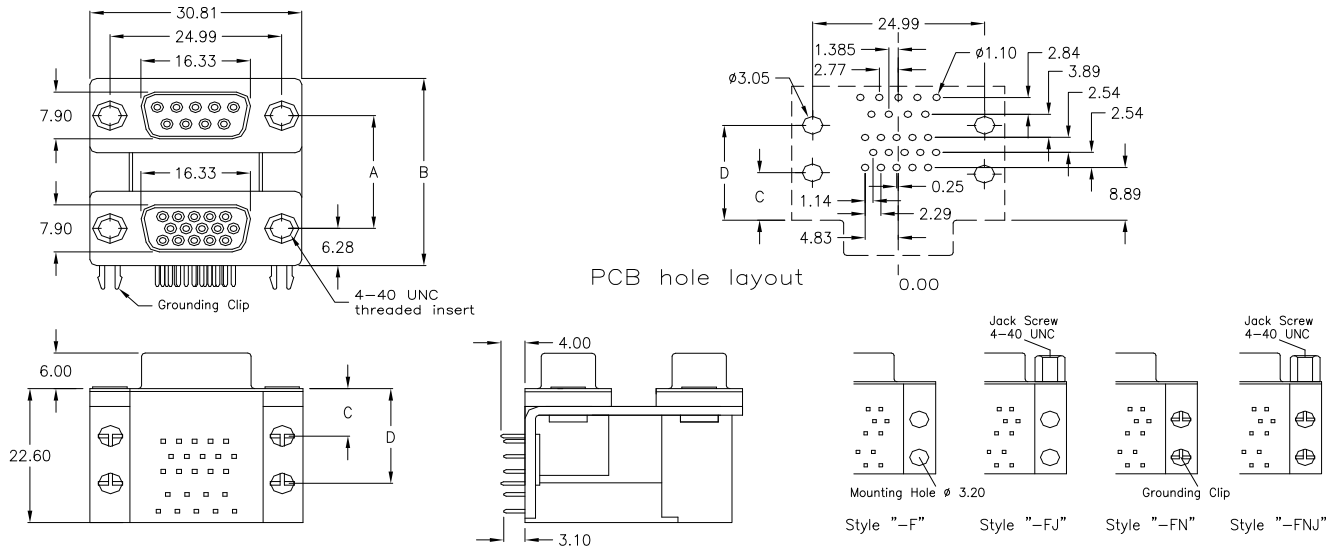
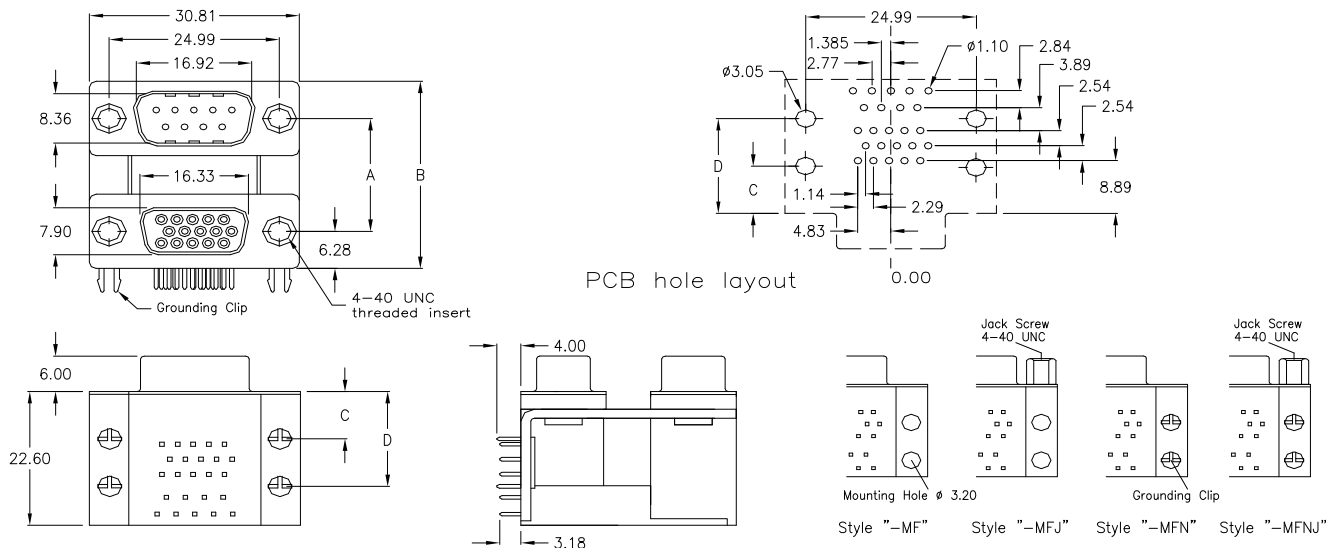


9-pin female / 15-pin HD female



without grounding clips just 4 mounting holes	without grounding clips, just 4 mounting holes; 4 jack screws 4-40 UNC mounted	with 4 grounding clips (as above drawing)	with 4 grounding clips; 4 jack screws 4-40 UNC mounted	Distance Dimensions (Standard : "-4-" & "-5-")	
SDD-09H15-2-95-F	SDD-09H15-2-95-FJ	SDD-09H15-2-95-FN	SDD-09H15-2-95-FNJ	„C“ = 8.00 „D“ = 16.00	„A“ = 19.05
SDD-09H15-4-95-F	SDD-09H15-4-95-FJ	SDD-09H15-4-95-FN	SDD-09H15-4-95-FNJ	„C“ = 9.50 „D“ = 17.68	„B“ = 31.60
SDD-09H15-3-95-F	SDD-09H15-3-95-FJ	SDD-09H15-3-95-FN	SDD-09H15-3-95-FNJ	„C“ = 8.00 „D“ = 16.00	„A“ = 15.87
SDD-09H15-5-95-F	SDD-09H15-5-95-FJ	SDD-09H15-5-95-FN	SDD-09H15-5-95-FNJ	„C“ = 9.50 „D“ = 17.68	„B“ = 28.42

9-pin male / 15-pin HD female



without grounding clips just 4 mounting holes	without grounding clips, just 4 mounting holes; 4 jack screws 4-40 UNC mounted	with 4 grounding clips (as above drawing)	with 4 grounding clips; 4 jack screws 4-40 UNC mounted	Distance Dimensions (Standard : "-4-" & "-5-")	
SDD-09H15-2-95-MF	SDD-09H15-2-95-MFJ	SDD-09H15-2-95-MFN	SDD-09H15-2-95-MFNJ	„C“ = 8.00 „D“ = 16.00	„A“ = 19.05
SDD-09H15-4-95-MF	SDD-09H15-4-95-MFJ	SDD-09H15-4-95-MFN	SDD-09H15-4-95-MFNJ	„C“ = 9.50 „D“ = 17.68	„B“ = 31.60
SDD-09H15-3-95-MF	SDD-09H15-3-95-MFJ	SDD-09H15-3-95-MFN	SDD-09H15-3-95-MFNJ	„C“ = 8.00 „D“ = 16.00	„A“ = 15.87
SDD-09H15-5-95-MF	SDD-09H15-5-95-MFJ	SDD-09H15-5-95-MFN	SDD-09H15-5-95-MFNJ	„C“ = 9.50 „D“ = 17.68	„B“ = 28.42