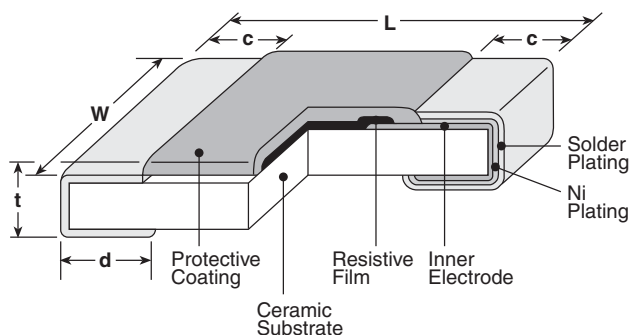


## features

- Silver element
- Meets or exceeds EIA 575, EIAJ RC 2690A, EIA PDP-100, MIL-R-55342F
- Marking: White "000" on black protective coat  
1F black with no marking  
1H and 1E sizes are green with no marking  
1J has white "0" marking
- Products with lead-free terminations meet EU RoHS requirements. Pb located in glass material, electrode and resistor element is exempt per Annex 1, exemption 5 of EU directive 2005/95/EC

## dimensions and construction



Type (Inch Size Code)	Dimensions inches (mm)				
	L	W	c	d	t
<b>1F</b> (01005)	.016±.0008 (0.4±0.02)	.079±.0008 (0.2±0.02)	.004±.001 (0.10±0.03)	.004±.001 (0.11±0.03)	.005±.0008 (0.13±0.02)
<b>1H</b> (0201)	.024±.001 (0.6±0.03)	.012±.001 (0.3±0.03)	.004±.002 (0.1±0.05)	.006±.002 (0.15±0.05)	.009±.001 (0.23±0.03)
<b>1E</b> (0402)	.039 <sup>+0.04</sup> <sub>-.002</sub> (1.0 <sup>+0.1</sup> <sub>-0.05</sub> )	.02±.002 (0.5±0.05)	.008±.004 (0.2±0.1)	.01 <sup>+0.02</sup> <sub>-.004</sub> (0.25 <sup>+0.05</sup> <sub>-0.1</sub> )	.014±.002 (0.35±0.05)
<b>1J</b> (0603)	.063±.008 (1.6±0.2)	.031±.004 (0.8±0.1)	.012±.004 (0.3±0.1)	.012±.004 (0.3±0.1)	.018±.004 (0.45±0.1)
<b>2A</b> (0805)	.079±.008 (2.0±0.2)	.049±.004 (1.25±0.1)	.016±.008 (0.4±0.2)	.012 <sup>+0.008</sup> <sub>-.004</sub> (0.3 <sup>+0.2</sup> <sub>-0.1</sub> )	.02±.004 (0.5±0.1)
<b>2B</b> (1206)	.126±.008 (3.2±0.2)	.063±.008 (1.6±0.2)	.02±.012 (0.5±0.3)	.016 <sup>+0.008</sup> <sub>-.004</sub> (0.4 <sup>+0.2</sup> <sub>-0.1</sub> )	.024±.004 (0.6±0.1)
<b>2E</b> (1210)		.102±.008 (2.6±0.2)			
<b>2H</b> (2010)	.197±.008 (5.0±0.2)	.098±.008 (2.5±0.2)			
<b>W2H</b> (2010)				.026±.006 (0.65±0.15)	
<b>3A</b> (2512)	.248±.008 (6.3±0.2)	.122±.008 (3.1±0.2)		.016 <sup>+0.008</sup> <sub>-.004</sub> (0.4 <sup>+0.2</sup> <sub>-0.1</sub> )	
<b>W3A</b> (2512)				.026±.006 (0.65±0.15)	

## ordering information

New Part #	RK73Z	2B	T	TD
Type		Size	Termination Material	Packaging
		1F 1H 1E 1J 2A 2B 2E 2H 3A W2H W3A	T: Sn (1F, 1H, 1E, 1J, 2A, 2B, 2E, 2H, 3A) L: SnPb (1E, 1J, 2A, 2B, 2E, 2H, 3A) G: Au (1E, 1J, 2A - Contact factory)	TX: 01005 only: 4mm width - 1mm pitch embossed plastic TBL: 01005 only: 2mm pitch pressed paper TA: 0201 only: 1mm pitch pressed paper TC: 0201 only: 7" 2mm pitch pressed paper (TC: 10,000 pcs/reel, TCM: 15,000 pcs/reel) TCD: 0201 only: 10" 2mm pitch punched paper TPL: 0402 only: 2mm pitch punch paper TP: 0402, 0603, 0805: 7" 2mm pitch punch paper TD: 0603, 0805, 1206, 1210: 7" 4mm pitch punched paper TDD: 0603, 0805, 1206, 1210: 10" paper tape TE: 0805, 1206, 1210, 2010 & 2512: 7" punched plastic TED: 0805, 1206, 1210, 2010 & 2512: 10" punched plastic For further information on packaging, please refer to Appendix A

Specifications given herein may be changed at any time without prior notice. Please confirm technical specifications before you order and/or use.

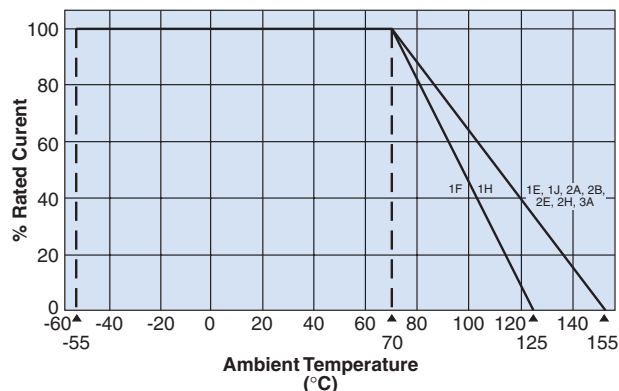
11/05/09

## applications and ratings

Part Designation	Maximum Continuous Current @ 70°C	Maximum Surge Current @ 70°C	Maximum Resistance	Operating Temperature Range
RK73Z1F	0.5 Amps	1.0 Amp Max. for < 1 second	50mΩ	-55°C to +125°C
RK73Z1H	0.5 Amps	1.0 Amp Max. for < 1 second		
RK73Z1E RK73Z1J	1.0 Amps	2 Amp Max. for < 1 second		
RK73Z2A	2.0 Amps	5 Amp Max. for < 1 second		
RK73Z2B RK73Z2E RK73ZW2H RK73ZW3A	2.0 Amps	10 Amp Max. for < 1 second		-55°C to +155°C

## environmental applications

### Derating Curve



For resistors operated at an ambient temperature of 70°C or above, a current rating shall be derated in accordance with the above derating curve.

## Performance Characteristics

Parameter	Requirement $\Delta R$		Test Method
	Limit	Typical	
Resistance	50m Ω Max. after the test	15m Ω Max. after the test	25°C
Overload (Short time)	50m Ω Max. after the test	18m Ω Max. after the test	Maximum surge current for 5 seconds
Resistance to Solder Heat	50m Ω Max. after the test	15m Ω Max. after the test	260°C ± 5°C, 10 seconds ± 1 second
Rapid Change of Temperature	50m Ω Max. after the test	15m Ω Max. after the test	-55°C (30 minutes), +125°C (30 minutes), 100 cycles
Moisture Resistance	100m Ω Max. after the test	18m Ω Max. after the test	40°C ± 2°C, 90%-95% RH, 1000 hours, 1.5 hr ON, 0.5 hr OFF cycle
Endurance at 70°C	100m Ω Max. after the test	18m Ω Max. after the test	70°C ± 2°C, 1000 hours, 1.5 hr ON, 0.5 hr OFF cycle
High Temperature Exposure	50m Ω Max. after the test	15m Ω Max. after the test	+125°C, 1000 hours: 1F, 1H +155°C, 1000 hours: 1E, 1J, 2A, 2B, 2E, W2H, W3A