

SERIES RSE-32.768-12.5-H15

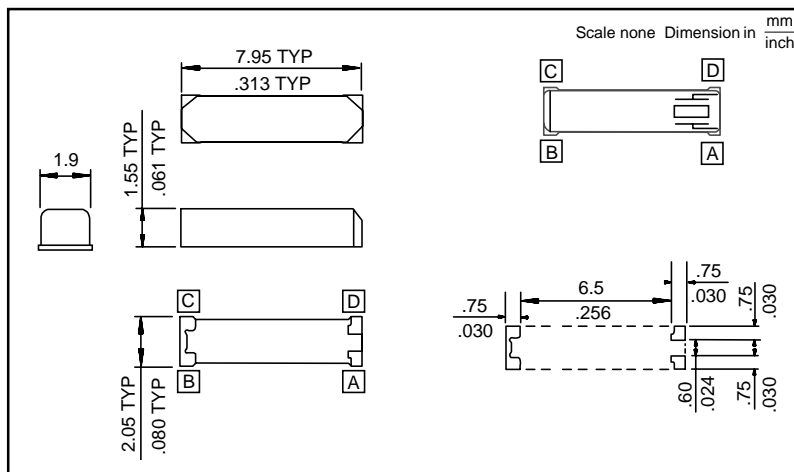
FEATURES

- ULTRA SMALL PACKAGE
- ULTRA THIN TYPE WITH HEIGHT 1.6mm MAX
- SMD TYPE SUITABLE FOR AUTOMATIC & HIGH DENSITY SURFACE MOUNTING

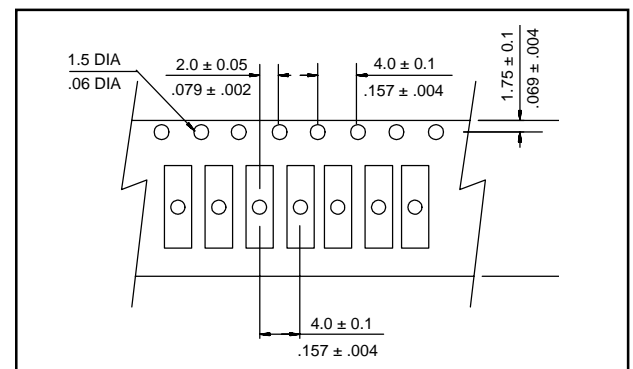
SPECIFICATIONS

NOMINAL FREQUENCY	32.768 KHz / 75.000 KHz
FREQUENCY TOLERANCE	STANDARD ± 20 PPM (± 10 PPM AVAILABLE)
TURNOVER TEMPERATURE	$\pm 25^{\circ}\text{C} \pm 5^{\circ}\text{C}$
TEMPERATURE COEFFICIENT	$(-3.5 \pm 1.0) 10^{-8} / ^{\circ}\text{C}^2$
LOAD CAPACITANCE	12.5 pF
EQUIVALENT SERIES RESISTANCE (ESR)	55 OHMS MAXIMUM
MAXIMUM EXCITATION LEVEL	1.0 μW
DRIVE LEVEL	1.0 μW MAXIMUM
SHUNT CAPACITANCE	0.95 pF TYPICAL
AGING (FIRST YEAR)	± 3 PPM MAXIMUM
OPERATING TEMPERATURE RANGE	-20°C TO $+70^{\circ}\text{C}$
STORAGE TEMPERATURE RANGE	-40°C TO $+125^{\circ}\text{C}$
SOLDER REFLOW CONDITIONS	230 $^{\circ}\text{C}$ MAXIMUM FOR 20 s MAXIMUM (TWICE)

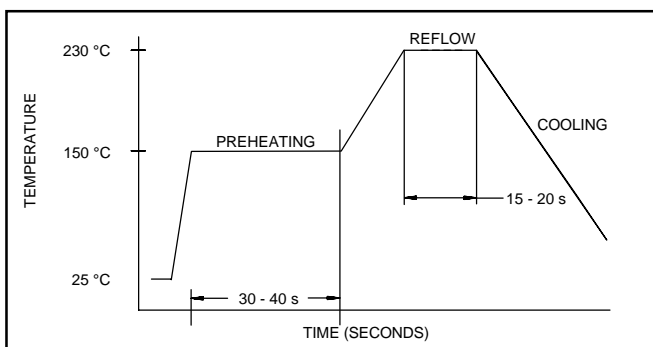
OUTLINE DRAWINGS



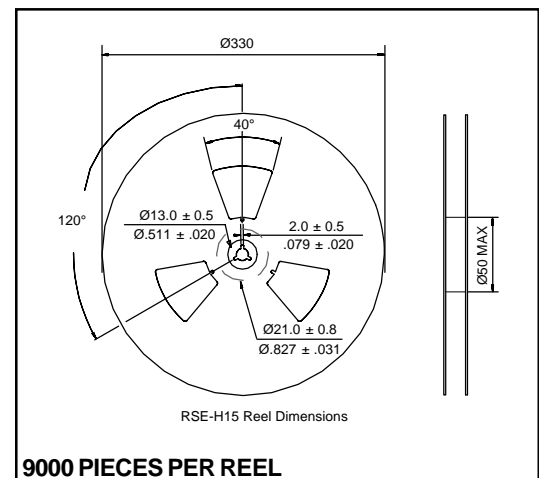
CARRIER TAPE DIMENSIONS



REFLOW SOLDERING PROFILE



REEL DIMENSIONS



PART NUMBERING SYSTEM

HOLDER TYPE	FREQUENCY	LOAD CAPACITANCE	CIRCUIT TYPE	TAPE & REEL
RSE	32.768 KHz	12.5 pF	H15	TR