




- Subminiature, monostable relays
- Very small dimensions
- **DC coils - sensitive of up to 24 V DC**, low coil power 0,15...0,20 W
- Sealed, for wave soldering and cleaning
- Applications: for telecommunication devices, office equipment, industrial control, etc.
- Recognitions, certifications, directives: RoHS, 

Contact data

Number and type of contacts		1 C/O
Contact material		Ag/Au 0,2 µm
Rated / max. switching voltage	AC	120 V / 125 V
Min. switching voltage		5 V
Rated load	AC1	2 A / 120 V AC
	DC1	2 A / 24 V DC
Min. switching current		10 mA
Rated current		2 A
Max. breaking capacity	AC1	240 VA
Min. breaking capacity		50 mW
Contact resistance		≤ 100 mΩ

Coil data

Rated voltage	DC	3 ... 24 V
Must release voltage		DC: ≥ 0,05 U _n
Operating range of supply voltage		see Table 1
Rated power consumption	DC	0,15...0,20 W

Insulation according to PN-EN 60664-1

Dielectric strength		
• between coil and contacts		1 000 V AC type of insulation: basic
• contact clearance		400 V AC type of clearance: micro-disconnection
Contact - coil distance		
• clearance		≥ 0,6 mm
• creepage		≥ 0,6 mm

General data

Operating / release time (typical values)		5 ms / 5 ms
Electrical life		
• resistive AC1	1 800 cycles/hour	> 10 ⁵ 2 A, 120 V AC
• resistive DC1	1 800 cycles/hour	> 10 ⁵ 2 A, 24 V DC
Mechanical life	18 000 cycles/hour	> 10 ⁷
Dimensions (L x W x H)		12,6 x 7,8 x 10 mm
Weight		2,2 g
Ambient temperature	• operating	-30...+70 °C
Cover protection category		IP 64 PN-EN 60529
Shock resistance		10 g
Vibration resistance		1,5 mm DA (constant amplitude) 10...55 Hz
Solder bath temperature		max. 235 °C
Soldering time		max. 3,5 s

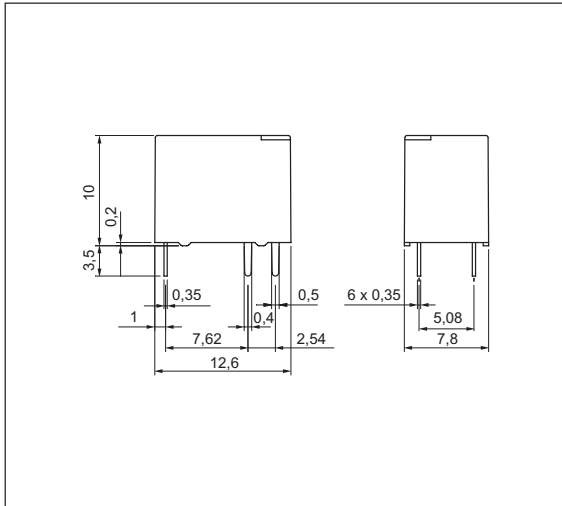
The data in bold type pertain to the standard versions of the relays.

Coil data - DC voltage version

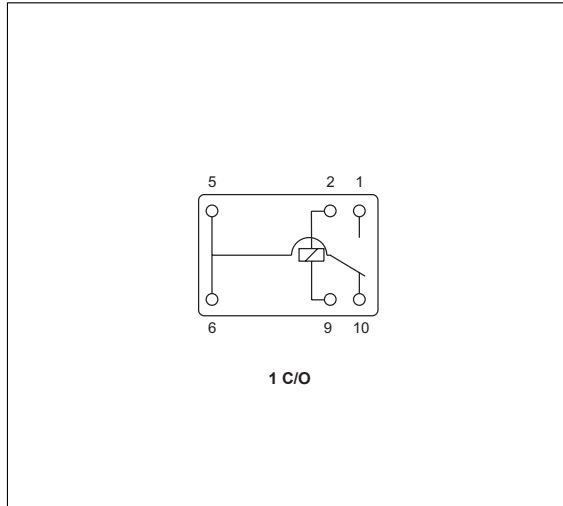
Table 1

Coil code	Rated voltage V DC	Coil resistance ± 10% at 20°C Ω	Coil operating range at 20°C V DC		Power consumption mW
			min.	max.	
S003	3	60	2,4	3,9	150
S005	5	167	4,0	6,5	150
S006	6	240	4,8	7,8	150
S009	9	540	7,2	11,7	150
S012	12	960	9,6	15,6	150
S024	24	2 880	18,0	31,2	200

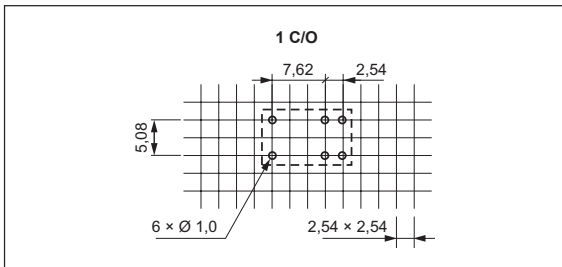
Dimensions



Connection diagram (pin side view)



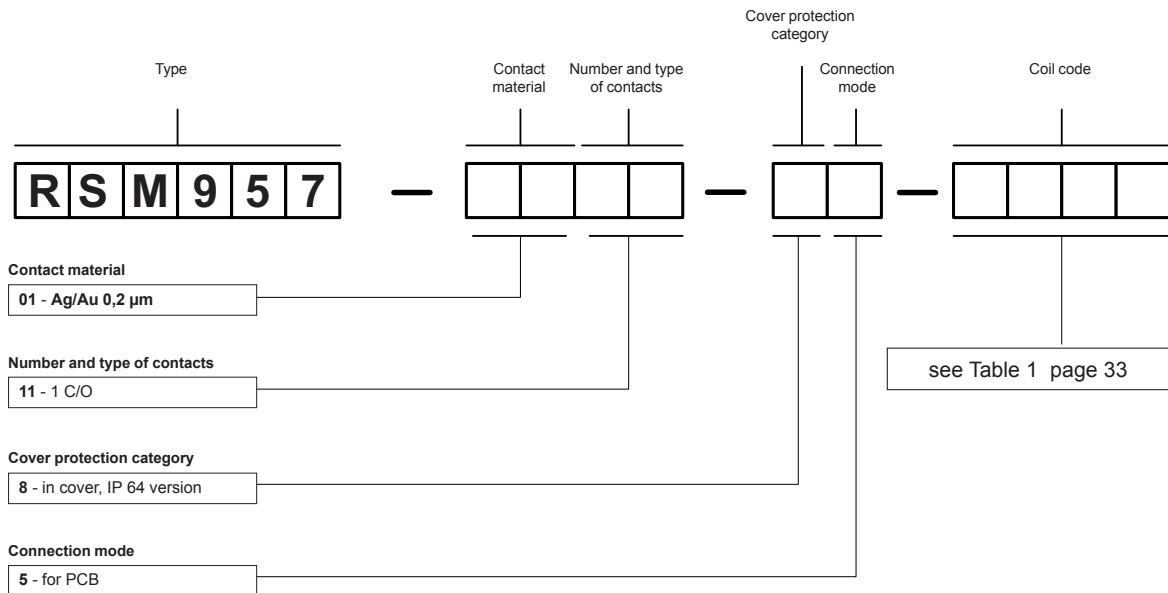
Pinout (solder side view)



Mounting

Relays **RSM957** are designed for direct PCB mounting.

Ordering codes



Example of ordering code:

RSM957-0111-85-S005

relay **RSM957**, contact material Ag/Au 0,2 µm, with one changeover contact, in cover IP 64, for PCB, sensitive voltage version 5 V DC