
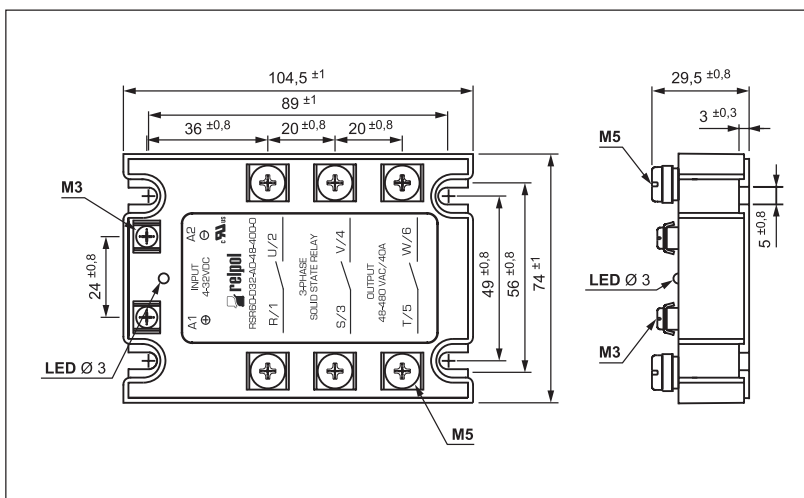


AC Load

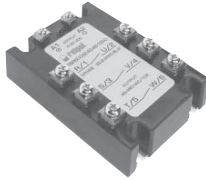
- Optically isolated • Input LED indicator
- No arc
- Noiseless
- Low input power consumption
- Zero current turn-off
- Built-in snubber network
- Recognitions, certificates, directives: RoHS, 

Type of relay ❶	D32-A0-48 -100-0	D32-A0-48 -250-0	D32-A0-48 -400-0	D32-A1-48 -100-0	D32-A1-48 -250-0	D32-A1-48 -400-0
Input circuit						
LED indicator	LED red			-		
Control voltage range	4...32 V DC			4...32 V DC		
Max. control current	30 mA			30 mA		
Release voltage	3,8 V DC			3,8 V DC		
Output circuit						
Max. load current	10 A AC	25 A AC	40 A AC	10 A AC	25 A AC	40 A AC
Nominal load voltage	440 V AC					
Load voltage range	48...480 V AC					
Non-repetitive peak voltage ❷	800 V AC					
Non-repetitive surge current ❸	200 A	250 A	400 A	200 A	250 A	400 A
Max. off-state leakage current ❹	2 mA	1 mA	1 mA	2 mA	1 mA	1 mA
Max. on-state voltage drop ❺	1,6 V	1,6 V	1,8 V	1,6 V	1,6 V	1,8 V
Min. load current ❻	70 mA	120 mA	100 mA	70 mA	120 mA	100 mA
Off-state dV/dt ❼	700 V/μs	700 V/μs	900 V/μs	700 V/μs	700 V/μs	900 V/μs
Operating frequency range	47...63 Hz					
General data						
Output circuit switching moment	Z ❽					
Max. turn-on time	8,3 ms					
Max. turn-off time	8,3 ms					
Min. insulation resistance	between input and output, input / output and cover: 1 000 MΩ 500 V DC					
Insulation dielectric strength	between input and output: 3 500 V AC					
Max. capacitance	between input and output: 15 pF					
Dimensions (L x W x H)	74 x 104,5 x 29,5 mm					
Weight	310 g					
Storage temperature	-40...+100 °C					
Operating temperature	-20...+80 °C					
Heatsink (max. load current)	1,5 °C/W	0,5 °C/W	0,3 °C/W	1,5 °C/W	0,5 °C/W	0,3 °C/W

Dimensions

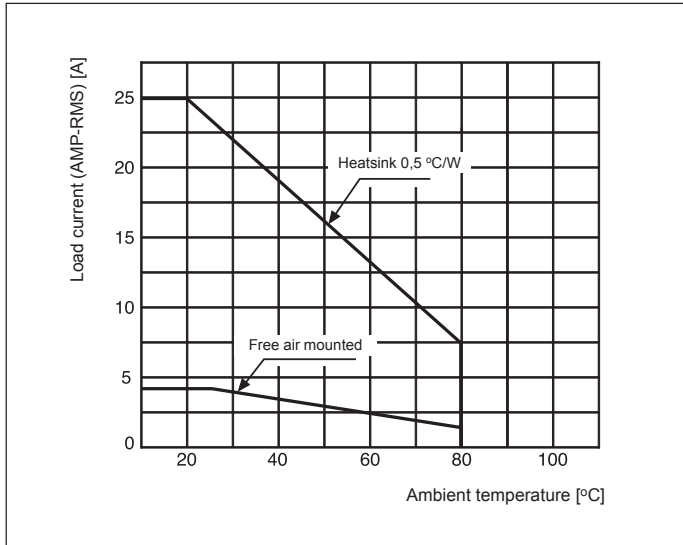


- ❶ The data in bold type pertain to the standard versions of the relays.
- ❷ Z - switching of the output circuit at zero voltage transition
- ❸ Rest condition
- ❹ Operating state
- ❺ Max. allowable rate of voltage rise

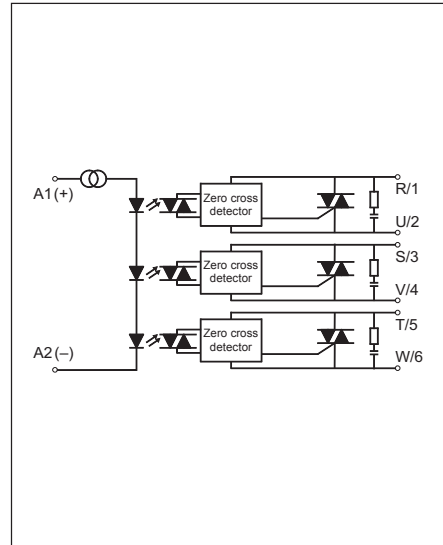


- **Applications:** lamp and motor load switching, household appliances, temperature control system, industrial automatic control, light system, office appliances, factory appliances
 - **Mounting:** relays RSR60 are on panel mounting, using four M4 screws
 - **Accessories:** heatsinks, adapters for mounting on 35 mm DIN rail mount, EN 50022
- In case of selection accessories to RSR60, please contact with Relpol S.A., e-mail: linia@relpol.com.pl

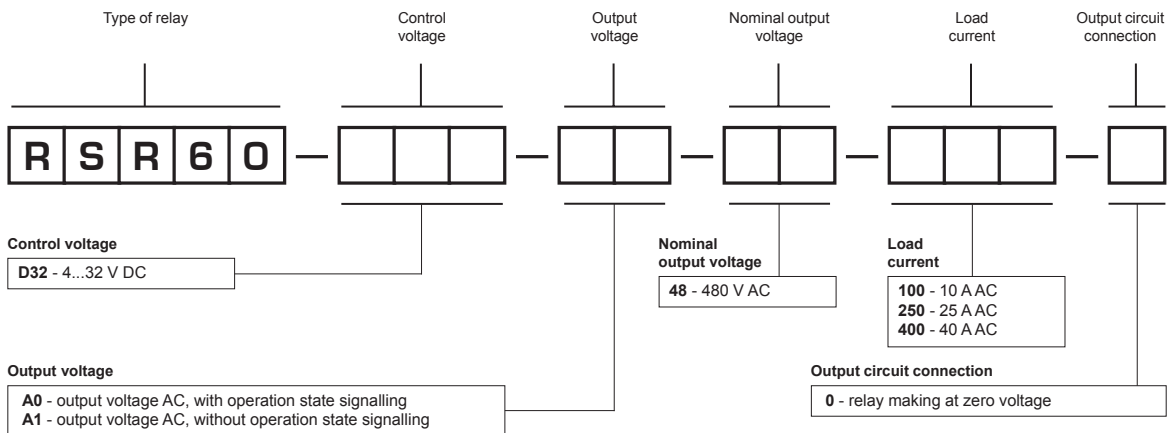
Temperature derating chart - 25 A ACrms, 480 V AC



Connections diagram



Ordering codes



Example of ordering code:

RSR60-D32-A0-48-250-0 solid state relay **RSR60**, control voltage range 4...32 V DC, rated voltage of output circuit - load 480 V AC, maximum output circuit current 25 A AC, with operation state signalling (LED red), making at zero voltage