

# M81511/19 Dummy Stowage Receptacle

Dummy  
Stowage  
Receptacles

Mating Connector  
MIL-C-81511  
Series 2

**M81511/19-14-1**  
Basic Part No. \_\_\_\_\_  
Shell Size \_\_\_\_\_  
Finish:  
1 = Cadmium Olive Drab  
2 = Dull Chromium over Nickel

Inactive for New Design

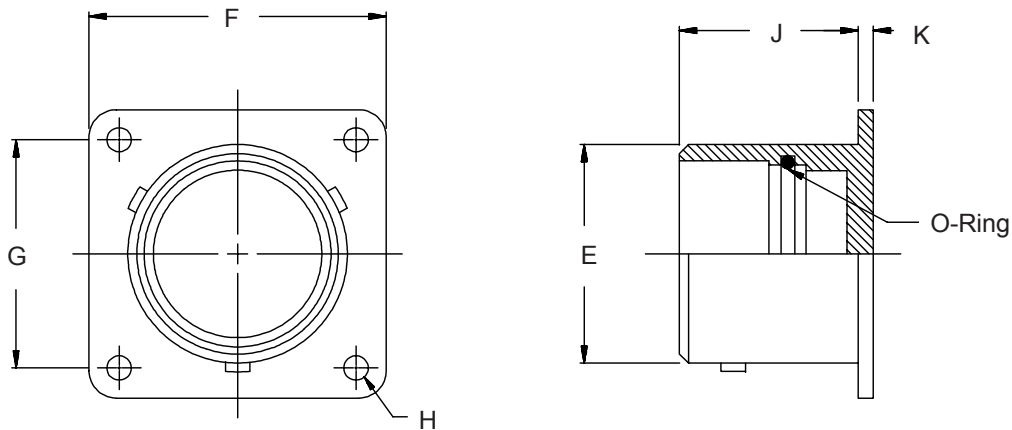


TABLE I

Shell Size	E Dia		F Sq.		G Sq.		H		J		K	
	$\pm.003$	(.1)	$\pm.008$	(.2)	$\pm.005$	(.1)	$\pm.005$	(.1)	$\pm.010$	(.3)	$\pm.005$	(.1)
08	.550	(14.0)	.812	(20.6)	.594	(15.1)	.121	(3.1)	.645	(16.4)	.070	(1.8)
10	.675	(17.1)	.937	(23.8)	.719	(18.3)	.121	(3.1)	.645	(16.4)	.070	(1.8)
14	.925	(23.5)	1.125	(28.6)	.906	(23.0)	.121	(3.1)	.645	(16.4)	.070	(1.8)
16	1.051	(26.7)	1.250	(31.8)	.969	(24.6)	.121	(3.1)	.645	(16.4)	.070	(1.8)
18	1.175	(29.8)	1.343	(34.1)	1.062	(27.0)	.121	(3.1)	.645	(16.4)	.070	(1.8)

1. For complete dimensions see applicable Military Specification.
2. Metric dimensions (mm) are indicated in parentheses.