

# 2-WAY POWER DIVIDER MODEL SPD-C12

**WIDE BANDWIDTH**

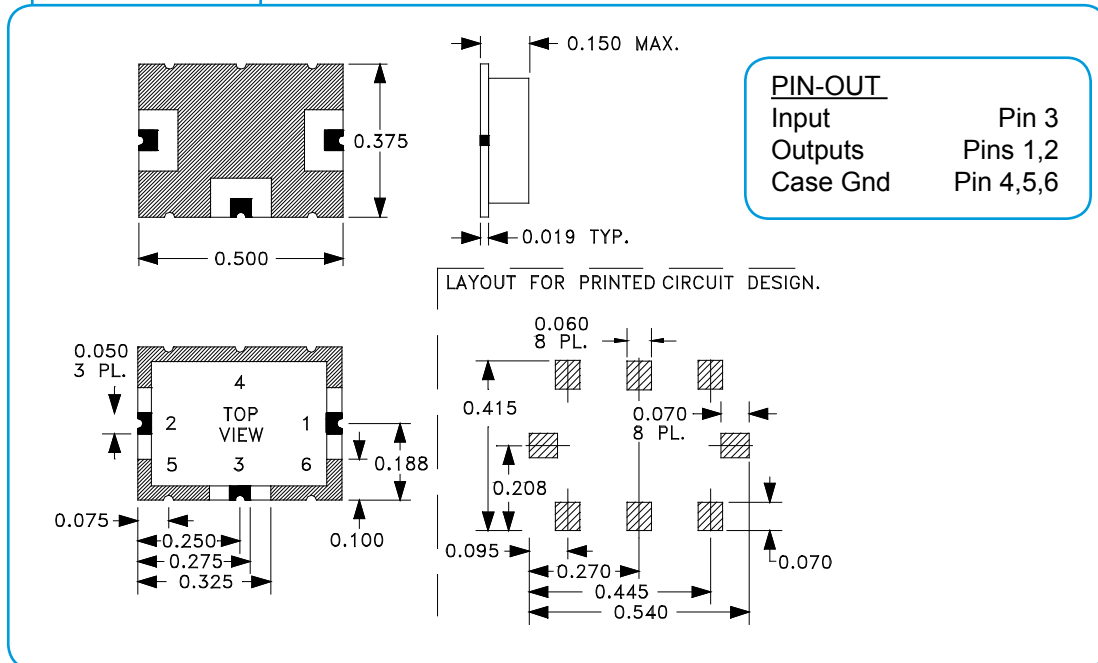
**400 - 2700 MHz**

**SPECIFICATIONS( Rev. "E" 04/04/06)**

<b>Operating Frequency:</b>	400 - 2700 MHz	<b>VSWR:</b>	
<b>Isolation:</b>	25 dB (Typ)/20 dB (Min)	Input	
<b>Phase Unbalance :</b>	4.0° (Typ) / 6.0° (Max)	400 - 1800 MHz	2.0:1 (Max)
<b>Amplitude Unbalance:</b>	0.4 dB (Typ) / 0.5 dB (Max)	1800 - 2700 MHz	1.5:1 (Max)
<b>Insertion Loss:</b>	1.0 dB (Typ)/1.5 dB (Max)	Output	
		400 - 2700 MHz	1.6:1 (Max)
		<b>Impedance:</b>	50 ohms(Nom)
		<b>Input Power:</b>	1 Watt (Max)
		<b>Operating Temp. Range:</b>	-20°C to +70° C



**MECHANICAL OUTLINE:133**

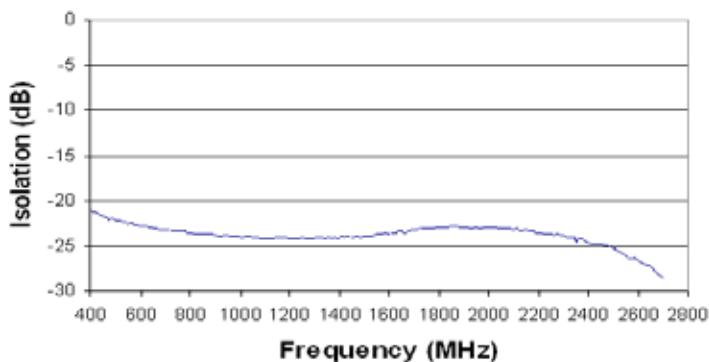
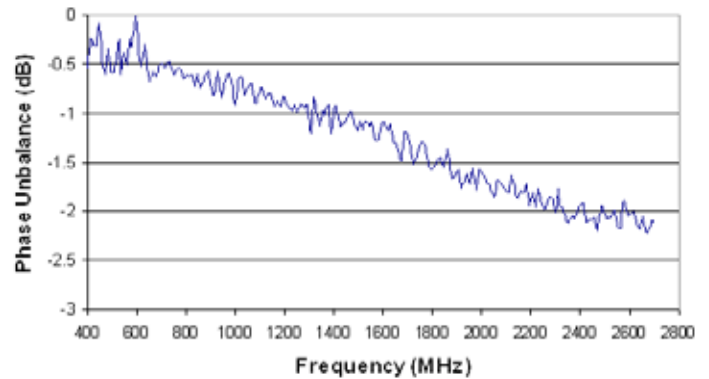
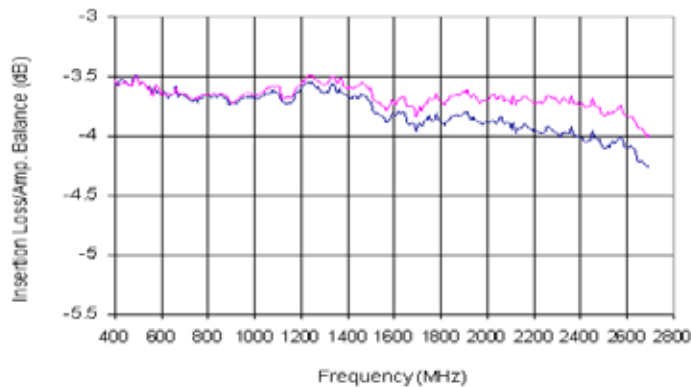
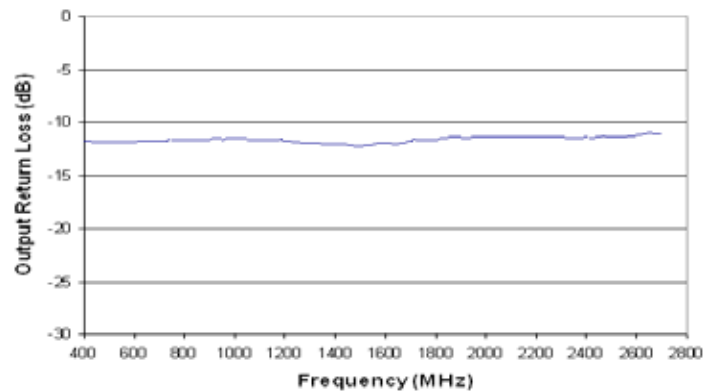
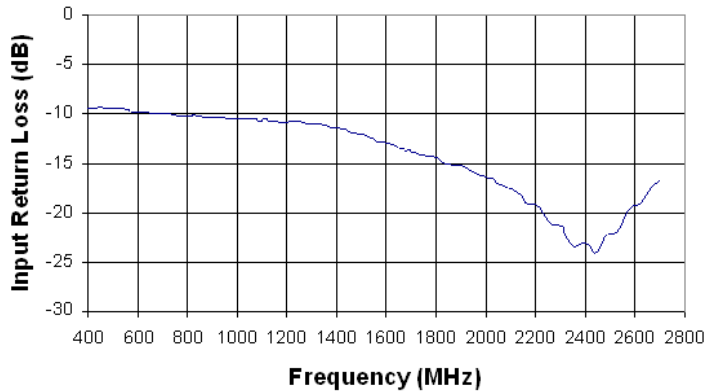


# 2-WAY POWER DIVIDER MODEL SPD-C12

WIDE BANDWIDTH

400 - 2700 MHz

## PERFORMANCE PLOTS



Copyright © 2006 Synergy Microwave Corporation

201 McLean Boulevard • Paterson, New Jersey 07504 • Tel: (973) 881-8800 • Fax: (973) 881-8361  
E-Mail: sales@synergymw.com • World Wide Web: <http://www.synergymw.com>

