

6.5MHz, 65 μ A Power Efficient Rail-to-Rail I/O Op Amps

FEATURES

- Gain Bandwidth Product: 6.5MHz
- -3dB Bandwidth ($A_V = +1$): 4.5MHz
- Low Quiescent Current: 65 μ A
- Stable for Capacitive Load Up to 100nF
- Offset Voltage: 350 μ V Maximum
- Rail-to-Rail Input and Output
- Supply Voltage Range: 1.8V to 5.25V
- Input Bias Current: 35nA Maximum
- CMRR/PSRR: 100dB/100dB
- Shutdown Current: 7 μ A Maximum
- Operating Temperature Range: -40°C to 125°C
- Single in 6-Lead TSOT-23 Package
- Dual in 8-Lead MS8, MS10, TSOT-23, 2mm \times 2mm Thin DFN Packages
- Quad in MS16 Package

APPLICATIONS

- Micropower Active Filters
- Portable Instrumentation
- Battery or Solar Powered Systems
- Automotive Electronics

DESCRIPTION

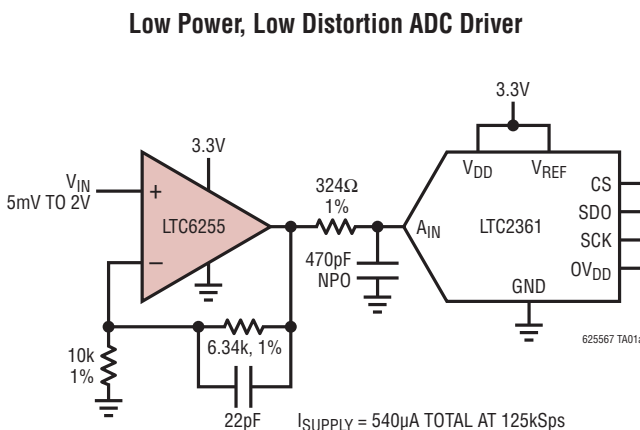
The LTC[®]6255/LTC6256/LTC6257 are single/dual/quad operational amplifiers with low noise, low power, low supply voltage, rail-to-rail input/output. They are unity gain stable with capacitive load up to 100nF. They feature 6.5MHz gain-bandwidth product, 1.8V/ μ s slew rate while consuming only 65 μ A of supply current per amplifier operating on supply voltages ranging from 1.8V to 5.25V. The combination of low supply current, low supply voltage, high gain bandwidth product and low noise makes the LTC6255 family unique among rail-to-rail input/output op amps with similar supply currents. These operational amplifiers are ideal for low power and low noise applications.

For applications that require power-down, LTC6255 and LTC6256 in S6 and MS10 packages offer shutdown pins which reduces the current consumption to 7 μ A maximum.

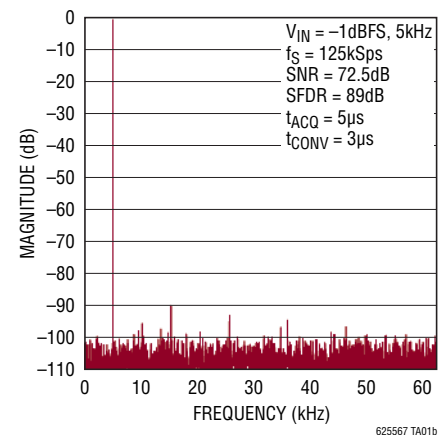
The LTC6255 family can be used as plug-in replacements for many commercially available op amps to reduce power or to improve input/output range and performance.

LT, LT, LTC, LTM, Linear Technology and the Linear logo are registered trademarks and Over-The-Top is a trademark of Linear Technology Corporation. All other trademarks are the property of their respective owners.

TYPICAL APPLICATION



LTC6255 Driving LTC2361 ADC



LTC6255/LTC6256/LTC6257

ABSOLUTE MAXIMUM RATINGS

(Note 1)

Supply Voltage: $V^+ - V^-$ 5.5V
 Input Voltage $V^- - 0.2$ to $V^+ + 0.2$
 Input Current: +IN, -IN, SHDN (Note 2) $\pm 10\text{mA}$
 Output Current: OUT $\pm 20\text{mA}$
 Output Short-Circuit Duration (Note 3) Indefinite
 Operating Temperature Range
 (Note 4) -40°C to 125°C

Specified Temperature Range
 (Note 5) -40°C to 125°C
 Storage Temperature Range -65°C to 150°C
 Junction Temperature 150°C
 Lead Temperature (Soldering, 10 sec)
 S6, TS8, MS8, MS only 300°C

PIN CONFIGURATION

| | |
|--|---|
| <p style="text-align: center;">TOP VIEW</p> <p style="text-align: center;">KC PACKAGE 8-LEAD (2mm × 2mm) PLASTIC UDFN $T_{JMAX} = 125^\circ\text{C}$, $\theta_{JA} = 89^\circ\text{C/W}$ (NOTE 6) EXPOSED PAD (PIN 9) IS V^-, MUST BE SOLDERED TO PCB</p> | <p style="text-align: center;">TOP VIEW</p> <p style="text-align: center;">S6 PACKAGE 6-LEAD PLASTIC TSOT-23 $T_{JMAX} = 150^\circ\text{C}$, $\theta_{JA} = 192^\circ\text{C/W}$ (NOTE 6)</p> |
| <p style="text-align: center;">TOP VIEW</p> <p style="text-align: center;">TS8 PACKAGE 8-LEAD PLASTIC TSOT-23 $T_{JMAX} = 150^\circ\text{C}$, $\theta_{JA} = 195^\circ\text{C/W}$ (NOTE 6)</p> | <p style="text-align: center;">TOP VIEW</p> <p style="text-align: center;">MS8 PACKAGE 8-LEAD PLASTIC MSOP $T_{JMAX} = 150^\circ\text{C}$, $\theta_{JA} = 163^\circ\text{C/W}$ (NOTE 6)</p> |
| <p style="text-align: center;">TOP VIEW</p> <p style="text-align: center;">MS PACKAGE 10-LEAD PLASTIC MSOP $T_{JMAX} = 150^\circ\text{C}$, $\theta_{JA} = 160^\circ\text{C/W}$ (NOTE 6)</p> | <p style="text-align: center;">TOP VIEW</p> <p style="text-align: center;">MS PACKAGE 16-LEAD PLASTIC MSOP $T_{JMAX} = 150^\circ\text{C}$, $\theta_{JA} = 125^\circ\text{C/W}$ (NOTE 6)</p> |

ORDER INFORMATION

| LEAD FREE FINISH | TAPE AND REEL | PART MARKING* | PACKAGE DESCRIPTION | SPECIFIED TEMPERATURE RANGE (Notes 4,5) |
|--------------------|-------------------|---------------|----------------------------------|---|
| LTC6255CS6#TRMPBF | LTC6255CS6#TRPBF | LTFFT | 6-Lead Plastic TSOT-23 | 0°C to 70°C |
| LTC6255IS6#TRMPBF | LTC6255IS6#TRPBF | LTFFT | 6-Lead Plastic TSOT-23 | -40°C to 85°C |
| LTC6255HS6#TRMPBF | LTC6255HS6#TRPBF | LTFFT | 6-Lead Plastic TSOT-23 | -40°C to 125°C |
| LTC6256CTS8#TRMPBF | LTC6256CTS8#TRPBF | LTFFW | 8-Lead Plastic TSOT-23 | 0°C to 70°C |
| LTC6256ITS8#TRMPBF | LTC6256ITS8#TRPBF | LTFFW | 8-Lead Plastic TSOT-23 | -40°C to 85°C |
| LTC6256HTS8#TRMPBF | LTC6256HTS8#TRPBF | LTFFW | 8-Lead Plastic TSOT-23 | -40°C to 125°C |
| LTC6256CKC#TRMPBF | LTC6256CKC#TRPBF | DXYT | 8-Lead (2mm × 2mm) Plastic UTDFN | 0°C to 70°C |
| LTC6256IKC#TRMPBF | LTC6256IKC#TRPBF | DXYT | 8-Lead (2mm × 2mm) Plastic UTDFN | -40°C to 85°C |
| LTC6256CMS8#PBF | LTC6256CMS8#TRPBF | LTDXW | 8-Lead Plastic MSOP | 0°C to 70°C |
| LTC6256IMS8#PBF | LTC6256IMS8#TRPBF | LTDXW | 8-Lead Plastic MSOP | -40°C to 85°C |
| LTC6256CMS#PBF | LTC6256CMS#TRPBF | LTDXX | 10-Lead Plastic MSOP | 0°C to 70°C |
| LTC6256IMS#PBF | LTC6256IMS#TRPBF | LTDXX | 10-Lead Plastic MSOP | -40°C to 85°C |
| LTC6257CMS#PBF | LTC6257CMS#TRPBF | 6257 | 16-Lead Plastic MSOP | 0°C to 70°C |
| LTC6257IMS#PBF | LTC6257IMS#TRPBF | 6257 | 16-Lead Plastic MSOP | -40°C to 85°C |
| LTC6257HMS#PBF | LTC6257HMS#TRPBF | 6257 | 16-Lead Plastic MSOP | -40°C to 125°C |

Consult LTC Marketing for parts specified with wider operating temperature ranges. *The temperature grade is identified by a label on the shipping container. Consult LTC Marketing for information on non-standard lead based finish parts.

For more information on lead free part marking, go to: <http://www.linear.com/leadfree/>

For more information on tape and reel specifications, go to: <http://www.linear.com/tapeandreef/>

5V ELECTRICAL CHARACTERISTICS

The ● denotes the specifications which apply over the full operating temperature range, otherwise specifications are at $T_A = 25^\circ\text{C}$. $V_{\text{SUPPLY}} = 5\text{V}$, $V_{\text{CM}} = V_{\text{OUT}} = V_{\text{SUPPLY}}/2$, $C_L = 10\text{pF}$, V_{SHDN} is unconnected.

| SYMBOL | PARAMETER | CONDITIONS | MIN | TYP | MAX | UNITS | |
|--------------------|-----------------------------|---|-----|------|-----|---------------------------------|---------------|
| V_{OS} | Input Offset Voltage | $V_{\text{CM}} = V^- + 2.5\text{V}$ (PNP Region) | ● | -350 | 100 | 350 | μV |
| | | $V_{\text{CM}} = V^+ - 0.3\text{V}$ (NPN Region) | ● | -700 | 100 | 700 | μV |
| $V_{\text{OS TC}}$ | Input Offset Voltage Drift | $V_{\text{CM}} = V^- + 2.5\text{V}$, $V^+ - 0.3\text{V}$ | ● | 1.5 | | $\mu\text{V}/^\circ\text{C}$ | |
| I_{B} | Input Bias Current (Note 7) | $V_{\text{CM}} = V^- + 2.5\text{V}$ | ● | -35 | -5 | 35 | nA |
| | | $V_{\text{CM}} = V^+ - 0.3\text{V}$ | ● | -60 | 5 | 60 | nA |
| I_{OS} | Input Offset Current | $V_{\text{CM}} = V^- + 2.5\text{V}$ | ● | -15 | 2 | 15 | nA |
| | | $V_{\text{CM}} = V^+ - 0.3\text{V}$ | ● | -30 | 2 | 30 | nA |
| e_{n} | Input Voltage Noise Density | $f = 1\text{kHz}$ | | 20 | | $\text{nV}/\sqrt{\text{Hz}}$ | |
| | Input Noise Voltage | $f = 0.1\text{Hz to } 10\text{Hz}$ | | 2.5 | | $\mu\text{V}_{\text{p-p}}$ | |
| i_{n} | Input Current Noise Density | $f = 1\text{kHz}$, $V_{\text{CM}} = 0\text{V to } 4\text{V}$ (PNP Input) | | 380 | | $f_{\text{A}}/\sqrt{\text{Hz}}$ | |
| | | $f = 1\text{kHz}$, $V_{\text{CM}} = 4\text{V to } 5\text{V}$ (NPN Input) | | 850 | | $f_{\text{A}}/\sqrt{\text{Hz}}$ | |
| R_{IN} | Input Resistance | Differential | | 1 | | $\text{M}\Omega$ | |
| | | Common Mode | | 10 | | $\text{M}\Omega$ | |
| C_{IN} | Input Capacitance | Differential | | 0.4 | | pF | |
| | | Common Mode | | 0.3 | | pF | |

LTC6255/LTC6256/LTC6257

5V ELECTRICAL CHARACTERISTICS The ● denotes the specifications which apply over the full operating temperature range, otherwise specifications are at $T_A = 25^\circ\text{C}$. $V_{\text{SUPPLY}} = 5\text{V}$, $V_{\text{CM}} = V_{\text{OUT}} = V_{\text{SUPPLY}}/2$, $C_L = 10\text{pF}$, V_{SHDN} is unconnected.

| SYMBOL | PARAMETER | CONDITIONS | MIN | TYP | MAX | UNITS |
|-------------------|--|--|---------------|--------------|------------|--------------------------------------|
| CMRR | Common Mode Rejection Ratio | $V_{\text{CM}} = 0.3\text{V}$ to 3.5V | ● 80 76 | 100 | | dB dB |
| IVR | Input Voltage Range | | ● -0.1 | | 5.1 | V |
| PSRR | Power Supply Rejection Ratio | $V_{\text{CM}} = 0.4\text{V}$, V_S Ranges From 1.8V to 5V | ● 85 81 | 100 | | dB dB |
| A_V | Large Signal Gain | $V_O = 0.5\text{V}$ to 4.5V , $R_{\text{LOAD}} = 100\text{k}$ | ● 50 28 | 200 | | V/mV V/mV |
| | | $V_O = 0.5\text{V}$ to 4.5V , $R_{\text{LOAD}} = 10\text{k}$ | ● 25 8 | 50 | | V/mV V/mV |
| V_{OL} | Output Swing Low (Input Overdrive 30mV). Measured from V^- | No Load | ● | 6 | 25 35 | mV mV |
| | | $I_{\text{SINK}} = 100\mu\text{A}$ | ● | 10 | 30 40 | mV mV |
| | | $I_{\text{SINK}} = 1\text{mA}$ | ● | 30 | 75 95 | mV mV |
| V_{OH} | Output Swing High (Input Overdrive 30mV). Measured from V^+ | No Load | ● | 24 | 55 60 | mV mV |
| | | $I_{\text{SOURCE}} = 100\mu\text{A}$ | ● | 30 | 80 90 | mV mV |
| | | $I_{\text{SOURCE}} = 1\text{mA}$ | ● | 75 | 150 170 | mV mV |
| I_{SC} | Output Short-Circuit Current | | ● 17 8 | 35 | | mA mA |
| I_S | Supply Current per Amplifier | | ● 57 42 | 65 | 73 88 | μA μA |
| | Supply Current in Shutdown | | ● | 6 | 7 12 | μA μA |
| I_{SHDN} | Shutdown Pin Current | $V_{\text{SHDN}} = 0.6\text{V}$ | ● -1400 | -1000 | | nA |
| | | $V_{\text{SHDN}} = 1.5\text{V}$ | ● -900 | -500 | | nA |
| V_{IL} | SHDN Input Low Voltage | Disable | ● | | 0.6 | V |
| V_{IH} | SHDN Input High Voltage | Enable | ● 1.5 | | | V |
| t_{ON} | Turn-On Time | | | 5 | | μs |
| t_{OFF} | Turn-Off Time | | | 3 | | μs |
| BW | -3dB Closed Loop Bandwidth | $A_V = 1$ | | 4.5 | | MHz |
| GBW | Gain-Bandwidth Product | $f = 200\text{kHz}$ | ● 2.5 | 6.5 | | MHz |
| | | | 2 | | | MHz |
| t_S | Settling Time, 0.5V to 4.5V , Unity Gain | 0.1% 0.01% | ● | 4 | | μs |
| | | | | 6 | | μs |
| SR | Slew Rate | $A_V = -1$, $V_{\text{OUT}} = 0.5\text{V}$ to 4.5V , $C_{\text{LOAD}} = 10\text{pF}$, $R_F = R_G = 10\text{k}\Omega$ | ● 1.0 0.75 | 1.8 | | V/ μs V/ μs |
| FPBW | Full Power Bandwidth (Note 8) | $4V_{\text{P-P}}$ | | 140 | | kHz |
| THD+N | Total Harmonic Distortion and Noise | $f = 500\text{Hz}$, $A_V = 2$, $R_L = 4\text{k}\Omega$, $V_{\text{OUTP-P}} = 1\text{V}$ $V_{\text{IN}} = 2.25\text{V}$ to 2.75V | | 0.0022 93 | | % dB |
| I_{LEAK} | Output Leakage Current in Shutdown | $V_{\text{SHDN}} = 0\text{V}$, $V_{\text{OUT}} = 0\text{V}$ $V_{\text{SHDN}} = 0\text{V}$, $V_{\text{OUT}} = 5\text{V}$ | ● -400 | | 400 | nA |
| | | | ● -400 | | 400 | nA |

1.8V ELECTRICAL CHARACTERISTICS

The ● denotes the specifications which apply over the full operating temperature range, otherwise specifications are at $T_A = 25^\circ\text{C}$. $V_{\text{SUPPLY}} = 1.8\text{V}$, $V_{\text{CM}} = V_{\text{OUT}} = 0.4\text{V}$, $C_L = 10\text{pF}$, V_{SHDN} is unconnected.

| SYMBOL | PARAMETER | CONDITIONS | MIN | TYP | MAX | UNITS |
|--------------------|---|---|-------------------|------|------------|--|
| V_{OS} | Input Offset Voltage | $V_{\text{CM}} = V^- + 0.3\text{V}$ | ● -350 -700 | 100 | 350 700 | μV μV |
| | | $V_{\text{CM}} = V^+ - 0.3\text{V}$ | ● -350 -700 | 100 | 350 700 | μV μV |
| $V_{\text{OS TC}}$ | Input Offset Voltage Drift | $V_{\text{CM}} = V^- + 0.3\text{V}, V^+ - 0.3\text{V}$ | ● | 1.5 | | $\mu\text{V}/^\circ\text{C}$ |
| I_{B} | Input Bias Current (Note 7) | $V_{\text{CM}} = V^- + 0.3\text{V}$ | ● -35 -60 | -8 | 35 60 | nA nA |
| | | $V_{\text{CM}} = V^+ - 0.3\text{V}$ | ● -35 -60 | 5 | 35 60 | nA nA |
| I_{OS} | Input Offset Current | $V_{\text{CM}} = V^- + 0.3\text{V}$ | ● -15 -30 | 2 | 15 30 | nA nA |
| | | $V_{\text{CM}} = V^+ - 0.3\text{V}$ | ● -15 -30 | 2 | 15 30 | nA nA |
| e_{n} | Input Voltage Noise Density | $f = 1\text{kHz}, V_{\text{CM}} = 0.4\text{V}$ | | 21 | | $\text{nV}/\sqrt{\text{Hz}}$ |
| | Input Noise Voltage | $f = 0.1\text{Hz to } 10\text{Hz}$ | | 2.5 | | $\mu\text{V}_{\text{P-P}}$ |
| i_{n} | Input Current Noise Density | $f = 1\text{kHz}, V_{\text{CM}} = 0\text{V to } 0.8\text{V (PNP Input)}$ | | 580 | | $f_{\text{A}}/\sqrt{\text{Hz}}$ |
| | | $f = 1\text{kHz}, V_{\text{CM}} = 1\text{V to } 1.8\text{V (NPN Input)}$ | | 870 | | $f_{\text{A}}/\sqrt{\text{Hz}}$ |
| R_{IN} | Input Resistance | Differential | | 1 | | $\text{M}\Omega$ |
| | | Common Mode | | 10 | | $\text{M}\Omega$ |
| C_{IN} | Input Capacitance | Differential | | 0.4 | | pF |
| | | Common Mode | | 0.3 | | pF |
| CMRR | Common Mode Rejection Ratio | $V_{\text{CM}} = 0.2\text{V to } 1.6\text{V}$ | ● 74 67 | 90 | | dB dB |
| IVR | Input Voltage Range | | ● | -0.1 | 1.9 | V |
| PSRR | Power Supply Rejection Ratio | $V_{\text{CM}} = 0.4\text{V}, V_{\text{S}}$ Ranges From 1.8V to 5V | ● 85 81 | 100 | | dB dB |
| A_{V} | Large Signal Gain | $V_{\text{O}} = 0.5\text{V to } 1.3\text{V}, R_{\text{LOAD}} = 100\text{k}$ | ● 30 17 | 110 | | V/mV V/mV |
| | | $V_{\text{O}} = 0.5\text{V to } 1.3\text{V}, R_{\text{LOAD}} = 10\text{k}$ | ● 15 5 | 50 | | V/mV V/mV |
| V_{OL} | Output Swing Low (Input Overdrive 30mV), Measured from V^- | No Load | ● | 6 | 35 40 | mV mV |
| | | $I_{\text{SINK}} = 100\mu\text{A}$ | ● | 10 | 40 45 | mV mV |
| | | $I_{\text{SINK}} = 1\text{mA}$ | ● | 30 | 75 90 | mV mV |

LTC6255/LTC6256/LTC6257

1.8V ELECTRICAL CHARACTERISTICS The ● denotes the specifications which apply over the full operating temperature range, otherwise specifications are at $T_A = 25^\circ\text{C}$. $V_{\text{SUPPLY}} = 1.8\text{V}$, $V_{\text{CM}} = V_{\text{OUT}} = 0.4\text{V}$, $C_L = 10\text{pF}$, V_{SHDN} is unconnected.

| SYMBOL | PARAMETER | CONDITIONS | MIN | TYP | MAX | UNITS |
|-------------------|---|--|-----|-------------|------------|--------------------------------------|
| V_{OH} | Output Swing High (Input Overdrive 30mV), Measured from V^+ | No Load | ● | 24 | 55 60 | mV mV |
| | | $I_{\text{SOURCE}} = 100\mu\text{A}$ | ● | 30 | 65 75 | mV mV |
| | | $I_{\text{SOURCE}} = 1\text{mA}$ | ● | 75 | 135 150 | mV mV |
| I_{SC} | Output Short-Circuit Current | | ● | 12.5 3.5 | 17 | mA mA |
| | | | ● | 53 35 | 60 83 | μA μA |
| I_{S} | Supply Current per Amplifier | | ● | 53 35 | 60 83 | μA μA |
| | Supply Current in Shutdown | | ● | 1.4 | 2.0 3.0 | μA μA |
| I_{SHDN} | Shutdown Pin Current | $V_{\text{SHDN}} = 0.5\text{V}$ | ● | -480 | -350 | nA |
| | | $V_{\text{SHDN}} = 1.3\text{V}$ | ● | -160 | -40 | nA |
| V_{IL} | SHDN Input Low Voltage | Disable | ● | | 0.5 | V |
| V_{IH} | SHDN Input High Voltage | Enable | ● | 1.3 | | V |
| t_{ON} | Turn-On Time | | | 5 | | μs |
| t_{OFF} | Turn-Off Time | | | 3 | | μs |
| BW | -3dB Closed Loop Bandwidth | $A_V = 1$ | | 4 | | MHz |
| GBW | Gain-Bandwidth Product | $f = 200\text{kHz}$ | ● | 2.4 1.8 | 6 | MHz MHz |
| T_{S} | Settling Time, 0.3V to 1.5V, Unity Gain | 0.1% | | 4 | | μs |
| | | 0.01% | | 6 | | μs |
| SR | Slew Rate | $A_V = -1$, $V_{\text{OUT}} = 0.3\text{V}$ to 1.5V , $C_{\text{LOAD}} = 10\text{pF}$ | ● | 0.9 0.75 | 1.5 | V/ μs V/ μs |
| FPBW | Full Power Bandwidth (Note 8) | $1.2V_{\text{P-P}}$ | | 400 | | kHz |
| THD+N | Total Harmonic Distortion and Noise | $f = 500\text{Hz}$, $A_V = 2$, $R_L = 4\text{k}\Omega$, $V_{\text{OUTP-P}} = 1\text{V}$ | | 0.006 | | % |
| | | $V_{\text{IN}} = 0.25\text{V}$ to 0.75V | | 84 | | dB |

Note 1: Stresses beyond those listed under Absolute Maximum Ratings may cause permanent damage to the device. Exposure to any Absolute Maximum Rating condition for extended periods may affect device reliability and lifetime.

Note 2: The inputs are protected by back-to-back diodes as well as ESD protection diodes to each power supply. If the differential input voltage exceeds 3.6V or the input extends more than 500mV beyond the power supply, the input current should be limited to less than 10mA.

Note 3: A heat sink may be required to keep the junction temperature below the absolute maximum rating when the output is shorted indefinitely.

Note 4: The LTC6255C/LTC6256C/LTC6257C and LTC6255I/LTC6256I/LTC6257I are guaranteed functional over the temperature range of -40°C to 85°C . The LTC6255H/LTC6256H/LTC6257H are guaranteed functional over the temperature range of -40°C to 125°C .

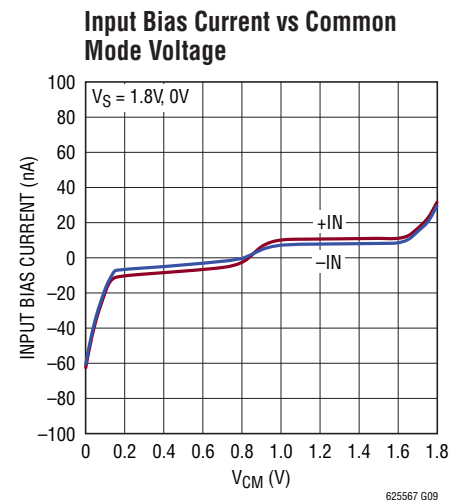
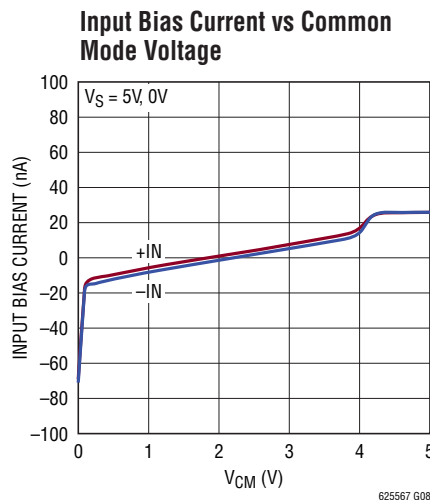
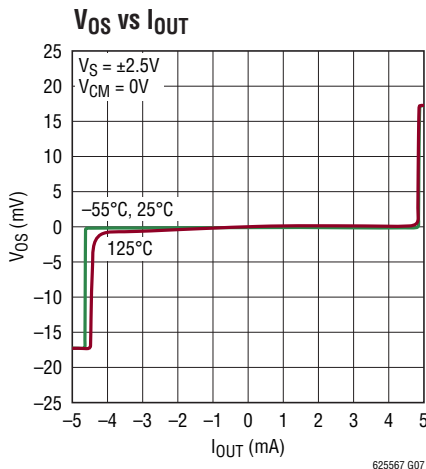
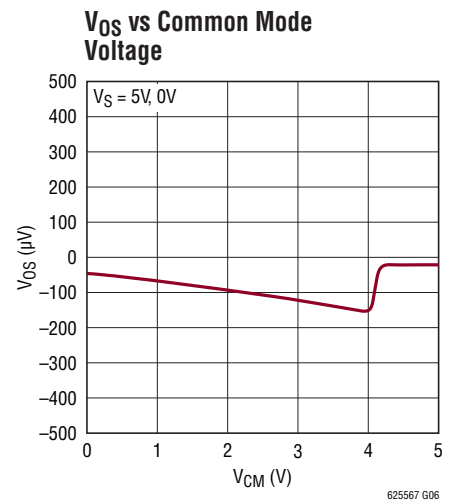
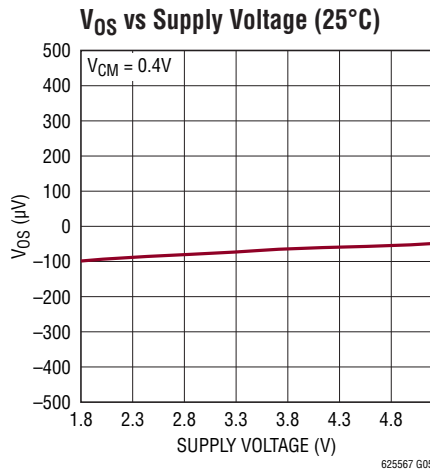
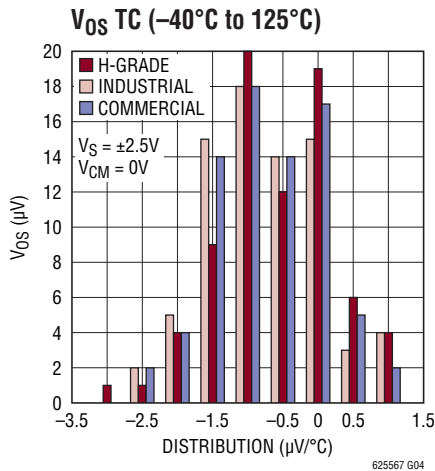
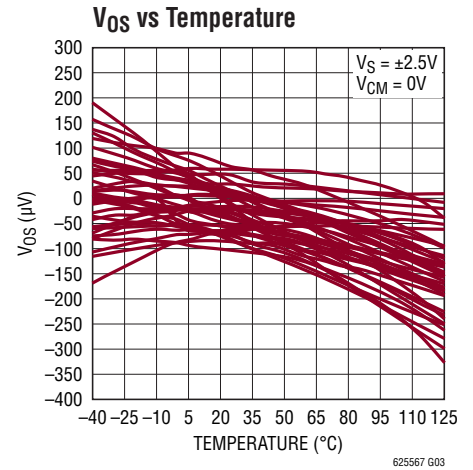
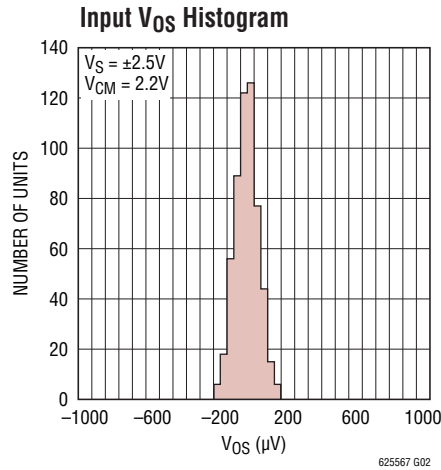
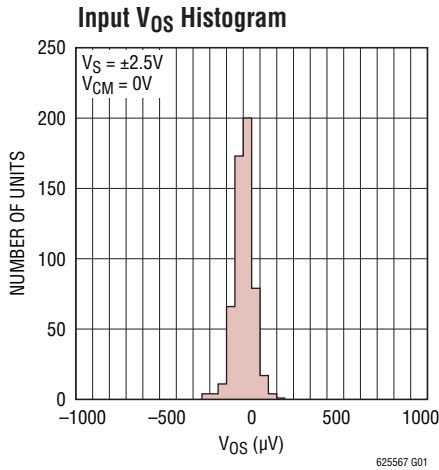
Note 5: The LTC6255C/LTC6256C/LTC6257C are guaranteed to meet the specified performance from 0°C to 70°C . The LTC6255C/LTC6256C/LTC6257C are designed, characterized and expected to meet specified performance from -40°C to 85°C but are not tested or QA sampled at these temperatures. The LTC6255I/LTC6256I/LTC6257I are guaranteed to meet specified performance from -40°C to 85°C . The LTC6255H/LTC6256H/LTC6257H are guaranteed to meet specified performance from -40°C to 125°C .

Note 6: Thermal resistance varies with the amount of PC board metal connected to the package. The specified values are for short traces connected to the leads.

Note 7: The input bias current is the average of the currents through the positive and negative input pins.

Note 8: Full power bandwidth is calculated from the slew rate $\text{FPBW} = \text{SR}/\pi \cdot V_{\text{P-P}}$.

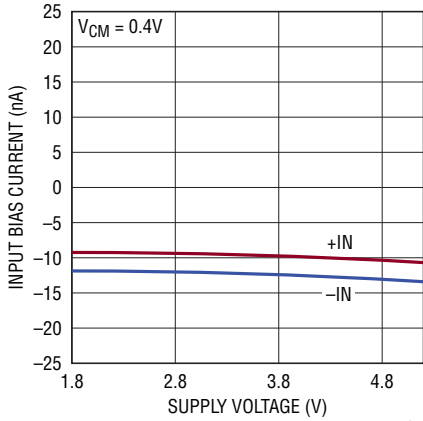
TYPICAL PERFORMANCE CHARACTERISTICS



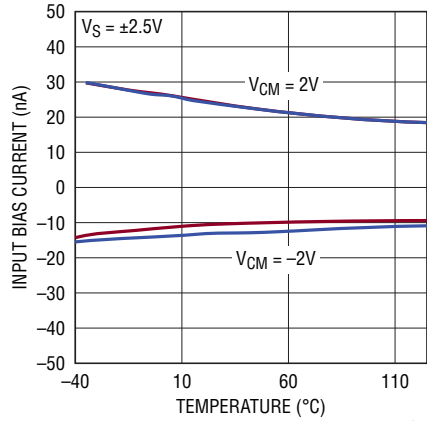
LTC6255/LTC6256/LTC6257

TYPICAL PERFORMANCE CHARACTERISTICS

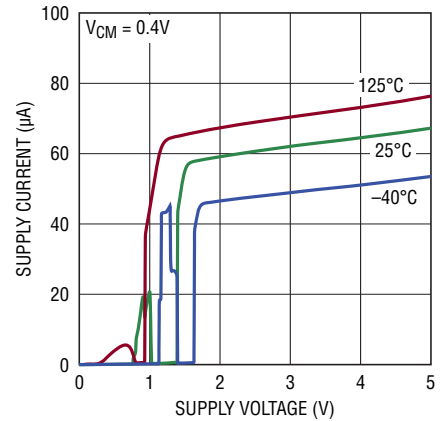
Input Bias Current vs Supply Voltage



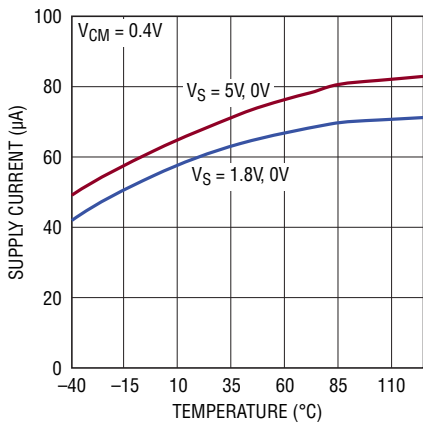
Input Bias Current vs Temperature



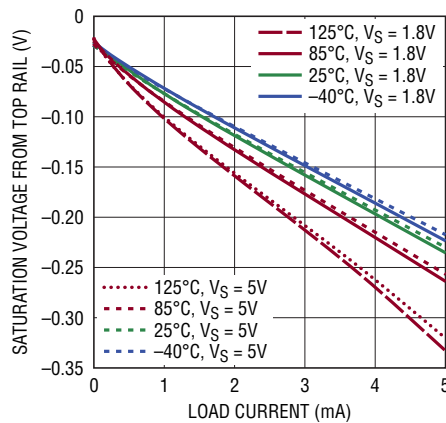
Supply Current vs Supply Voltage per Channel, -40°C, 25°C, 125°C



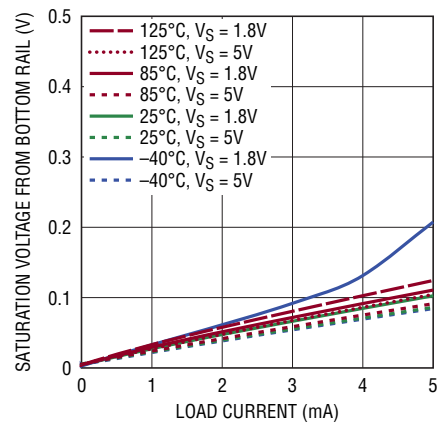
Supply Current vs Temperature



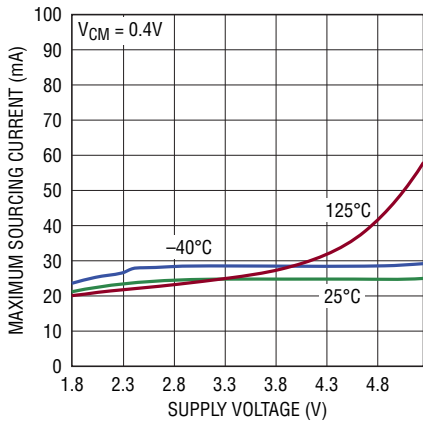
Output Saturation Voltage vs Load Current (Output High)



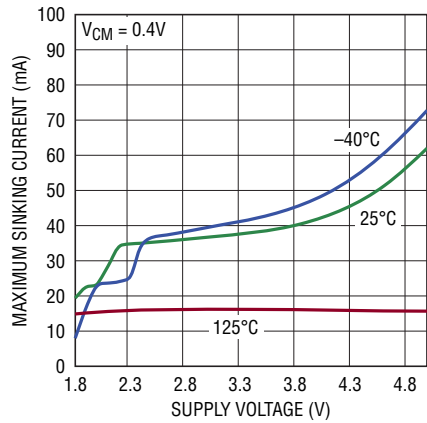
Output Saturation Voltage vs Load Current (Output Low)



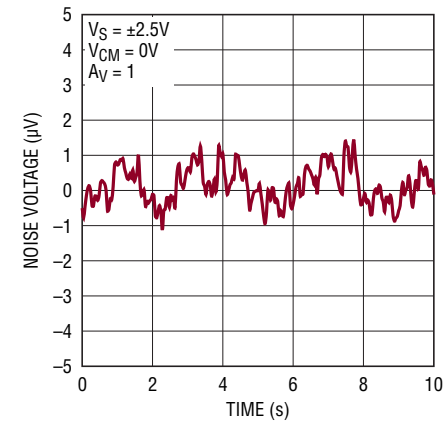
Output Short-Circuit Current vs Supply Voltage (Sourcing)



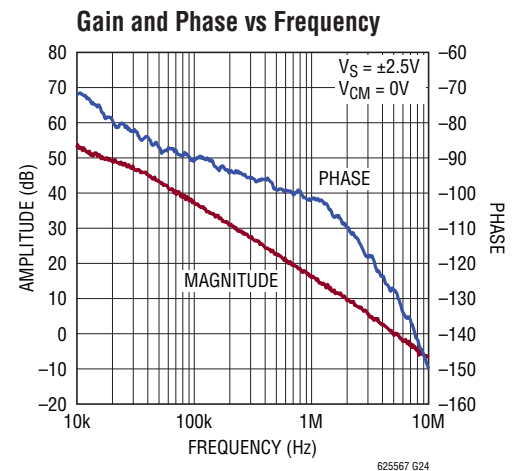
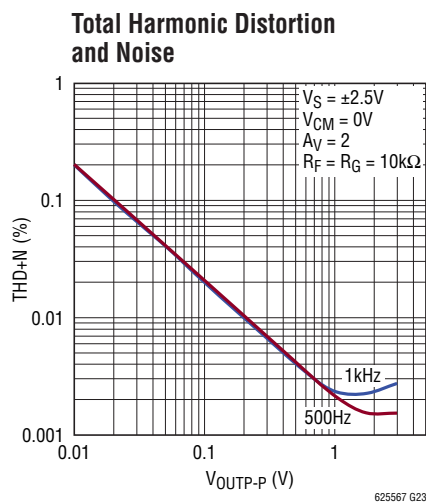
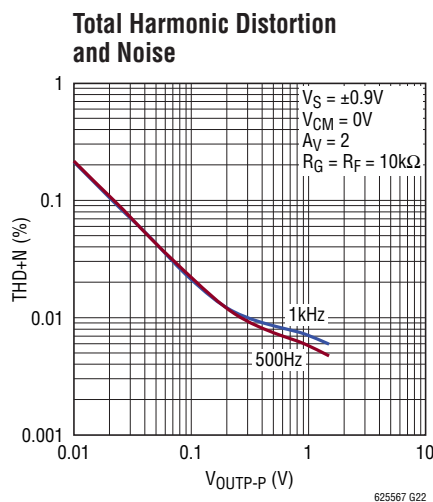
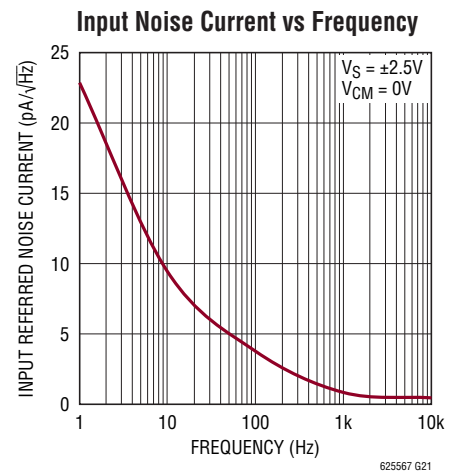
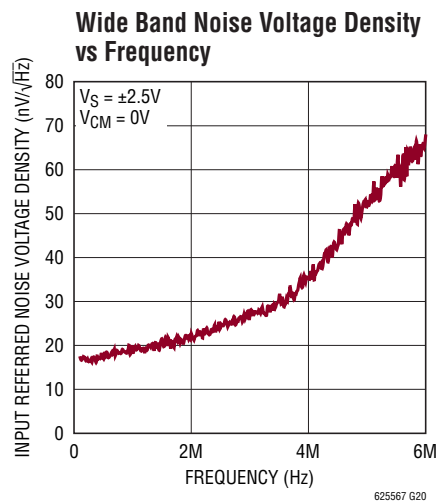
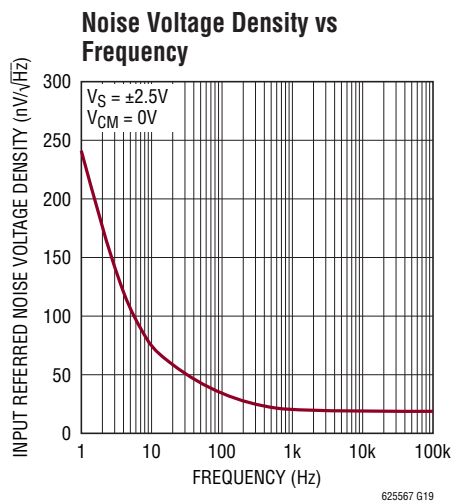
Output Short-Circuit Current vs Supply Voltage (Sinking)



0.1Hz to 10Hz Output Voltage Noise



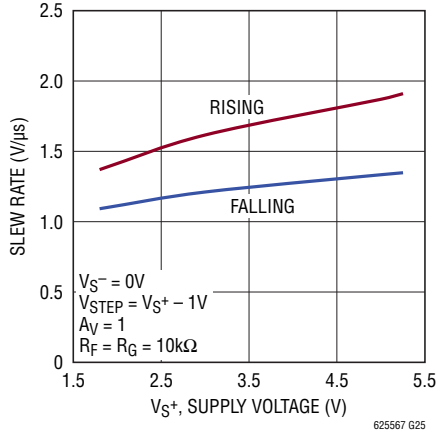
TYPICAL PERFORMANCE CHARACTERISTICS



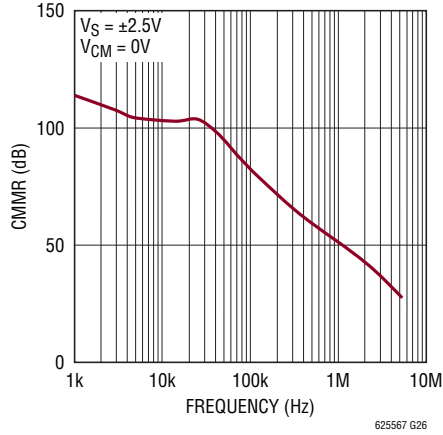
LTC6255/LTC6256/LTC6257

TYPICAL PERFORMANCE CHARACTERISTICS

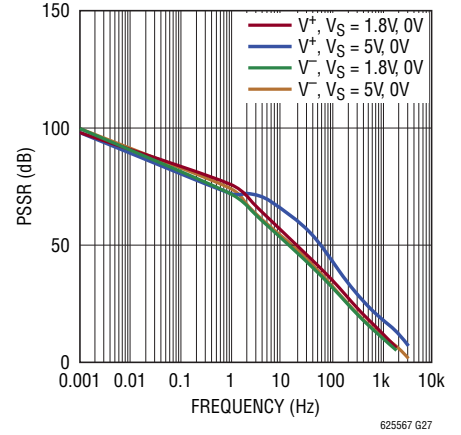
Slew Rate vs Supply Voltage



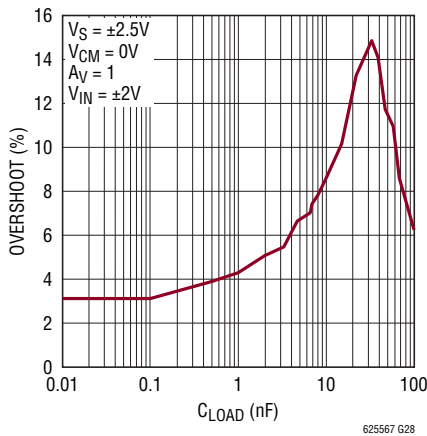
Common Mode Rejection Ratio vs Frequency



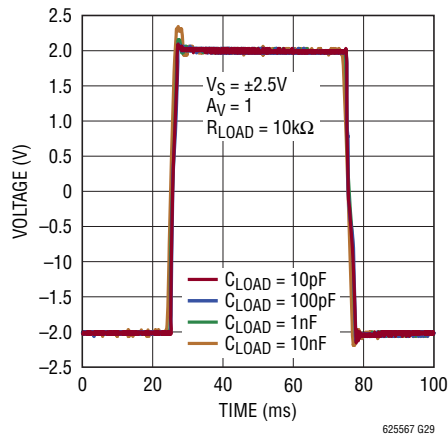
Power Supply Rejection Ratio vs Frequency



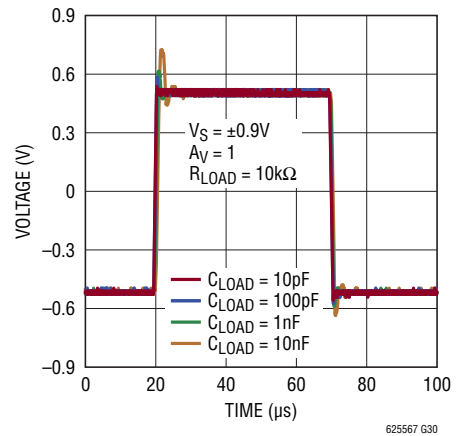
Capacitive Load Handling Overshoot vs Capacitive Load



Large-Signal Response

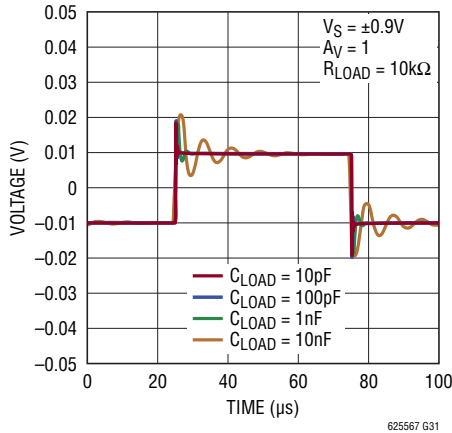


Large-Signal Response

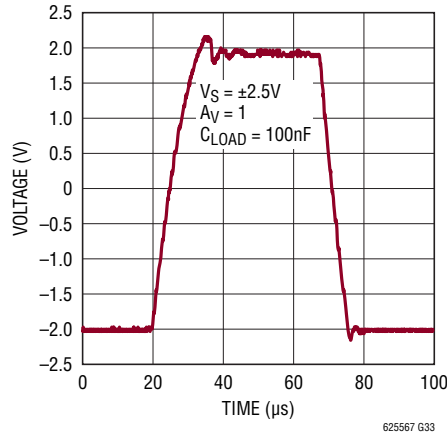


TYPICAL PERFORMANCE CHARACTERISTICS

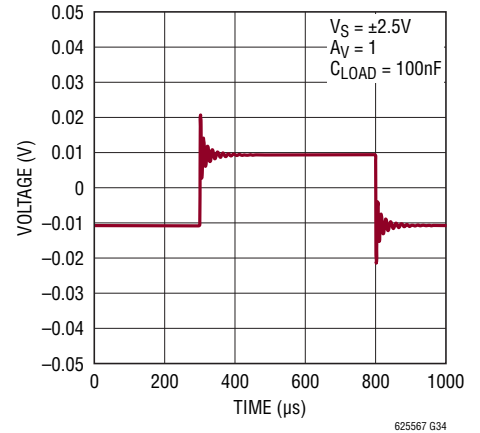
Small-Signal Response



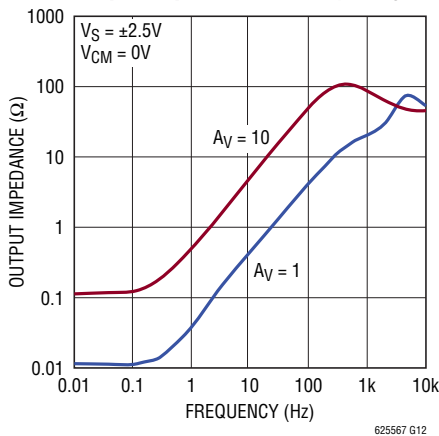
Large-Signal Response



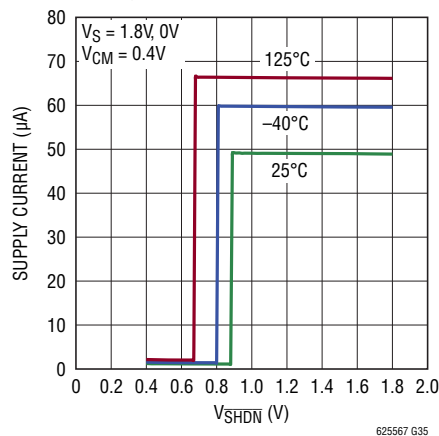
Small-Signal Response



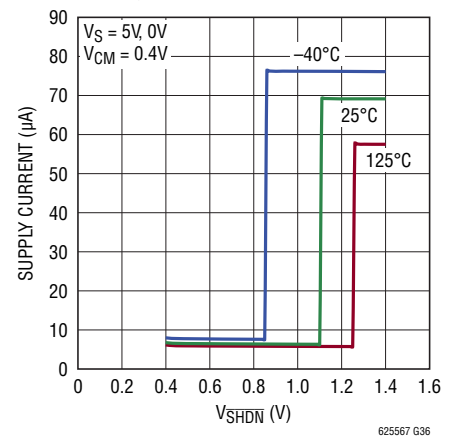
Output Impedance vs Frequency



Supply Current vs SHDN Pin Voltage



Supply Current vs SHDN Pin Voltage



LTC6255/LTC6256/LTC6257

PIN FUNCTIONS

-IN: Inverting Input of the Amplifier. Voltage range of this pin can go from $V^- - 0.1V$ to $V^+ + 0.1V$.

+IN: Non-Inverting Input of Amplifier. This pin has the same voltage range as -IN.

V⁺: Positive Power Supply. Typically the voltage is from 1.8V to 5.25V. Split supplies are possible as long as the voltage between V⁺ and V⁻ is between 1.8V and 5.25V. A bypass capacitor of 0.1 μ F as close to the part as possible should be used between power supply pins or between supply pins and ground.

V⁻: Negative Power Supply. It is normally tied to ground. It can also be tied to a voltage other than ground as long as the voltage between V⁺ and V⁻ is from 1.8V to 5.25V. If it is not connected to ground, bypass it with a capacitor of 0.1 μ F as close to the part as possible.

SHDN: Active Low Shutdown. Shutdown threshold is 0.6V above negative rail. If left unconnected, the amplifier will be on.

OUT: Amplifier Output. The voltage range extends to within millivolts of each supply rail.

SIMPLIFIED SCHEMATIC

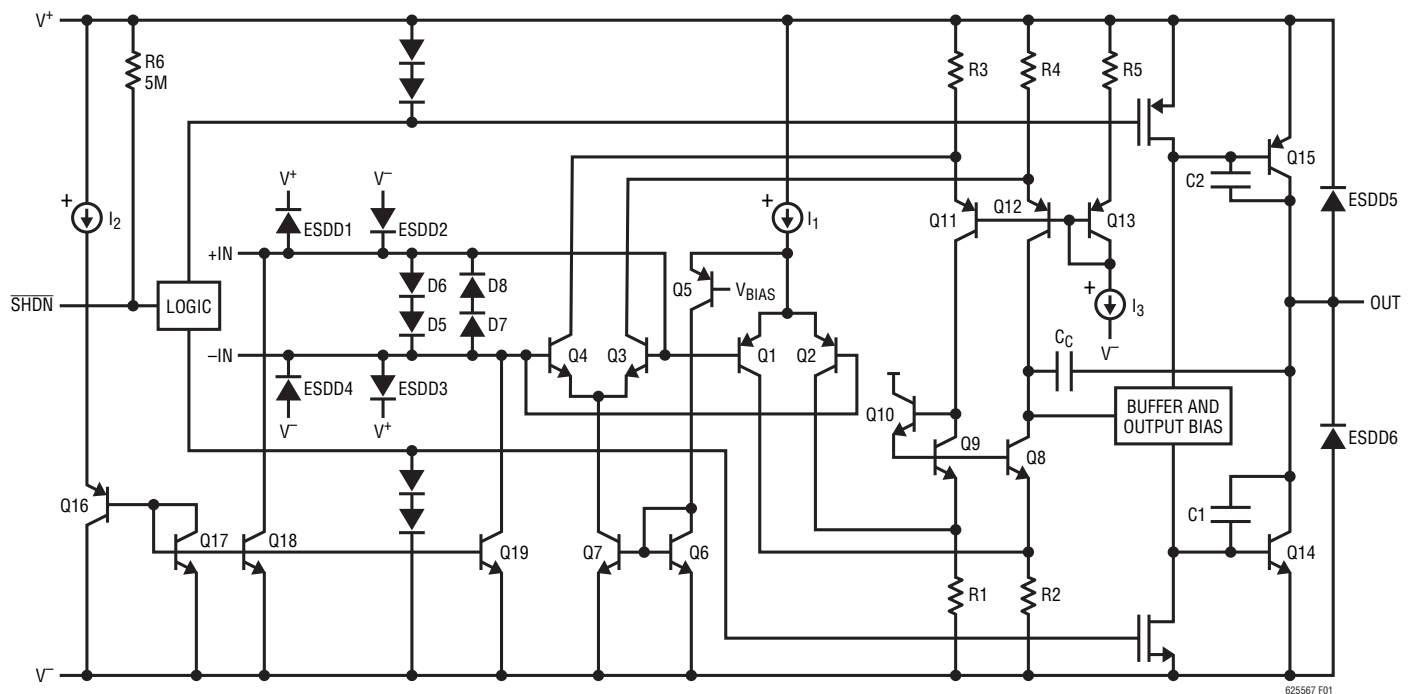


Figure 1. LTC6255/LTC6256/LTC6257 Simplified Schematic

OPERATION

The LTC6255 family input signal range extends beyond the negative and positive power supplies. The output can even extend all the way to the negative supply with the proper external pull-down current source. Figure 1 depicts a Simplified Schematic of the amplifier. The input stage is comprised of two differential amplifiers, a PNP stage Q1/Q2 and NPN stage Q3/Q4 that are active over different ranges of common mode input voltage. The PNP stage is active between the negative power supply to approximately 1V below the positive supply. As the input voltage approaches the positive supply, transistor Q5 will steer the tail current I_1 to the current mirror Q6/Q7, activating the NPN differential pair and the PNP pair becomes inactive

for the remaining input common mode range. Also for the input stage, devices Q17, Q18 and Q19 act to cancel the bias current of the PNP input pair. When Q1/Q2 is active, the current in Q16 is controlled to be the same as the current Q1/Q2. Thus, the base current of Q16 is normally equal to the base current of the input devices of Q1/Q2. Similar circuitry (not shown) is used to cancel the base current of Q3/Q4. The buffer and output bias stage uses a special compensation technique to take full advantage of the process technology to drive high capacitive loads. The common emitter topology of Q14/Q15 enables the output to swing from rail to rail.

APPLICATIONS INFORMATION

Low Supply Voltage and Low Power Consumption

The LTC6255 family of operational amplifiers can operate with power supply voltages from 1.8V to 5.25V. Each amplifier draws only 65 μ A. The low supply voltage capability and low supply current are ideal for portable applications.

High Capacitive Load Driving Capability and Wide Bandwidth

The LTC6255 family is optimized for wide bandwidth low power applications. They have an extremely high gain-bandwidth to power ratio and are unity gain stable. When the load capacitance increases, the increased capacitance at the output pushed the non-dominant pole to lower frequency in the open loop frequency response, worsening the phase and gain margin. They are designed to directly drive up to 100nF capacitive load in unity gain configuration (see Typical Performance Characteristics, Capacitive Load Handling). Higher gain configurations tend to have better capacitive drive capability than lower gain configurations due to lower closed loop bandwidth and hence higher phase margin.

Low Input Referred Noise

The LTC6255 family provides a low input referred noise of 20nV/ $\sqrt{\text{Hz}}$ at 1kHz. The noise density will grow slowly with the frequency in wideband range. The average noise voltage density over 3MHz range is less than 24nV/ $\sqrt{\text{Hz}}$. The LTC6255 family is ideal for low noise and low power signal processing applications.

Low Input Offset Voltage

The LTC6255 family has a low offset voltage of 350 μ V maximum which is essential for precision applications. The offset voltage is trimmed with a proprietary trim algorithm to ensure low offset voltage over the entire common mode voltage range.

Low Input Bias Current

The LTC6255 family uses a bias current cancellation circuit to compensate for the base current of the input transistors. When the input common mode voltage is within 200mV of either rail, the bias cancellation circuit are no longer active. For common mode voltages ranging from 0.2V above

LTC6255/LTC6256/LTC6257

APPLICATIONS INFORMATION

the negative supply to 0.2V below the positive supply, the low input bias current allows the amplifiers to be used in applications with high resistance sources.

Ground Sensing and Rail to Rail Output

The LTC6255 family has excellent output drive capability, delivering over 10mA of output drive current. The output stage is a rail-to-rail topology that is capable of swinging to within 30mV of either rail. If output swing to the negative rail is required, an external pull down resistor to a negative supply can be added. For 5V/0V op amp supplies, a pull down resistor of 2.1k to $-2V$ will allow a 'true zero' output swing. In this case, the output can swing all the way to the bottom rail while maintaining 80dB of open loop gain. Since the inputs can go 100mV beyond either rail, the op amp can easily perform 'true ground' sensing.

The maximum output current is a function of total supply voltage. As the supply voltage to the amplifier increases, the output current capability also increases. Attention must be paid to keep the junction temperature of the IC below $150^{\circ}C$ when the output is in continuous short-circuit. The output of the amplifier has reverse-biased diodes connected to each supply. The output should not be forced more than 0.5V beyond either supply, otherwise current will flow through these diodes.

Input Protection and Output Overdrive

To prevent breakdown of the input transistors, the input stages are protected against a large differential input voltage by two pairs of back-to-back diodes, D5 to D8. If the differential input voltage exceeds 1.4V, the current in these diodes must be limited to less than 10mA. These amplifiers are not intended for open loop applications such as comparators. When the output stage is overdriven, internal limiting circuitry is activated to improve overdrive recovery. In some applications, this circuitry may draw as much as 1mA supply current.

ESD

The LTC6255 family has reverse-biased ESD protection diodes on all inputs and output as shown in Figure 1.

Supply Voltage Ramping

Fast ramping of the supply voltage can cause a current glitch in the internal ESD protection circuits. Depending on the supply inductance, this could result in a supply voltage transient that exceeds the maximum rating. A supply voltage ramp time of greater than 1ms is recommended.

Feedback Components

Care must be taken to ensure that the pole formed by the feedback resistors and the parasitic capacitance at the inverting input does not degrade stability. For example, in a gain of +2 configuration with gain and feedback resistors of 10k, a poorly designed circuit board layout with parasitic capacitance of 5pF (part +PC board) at the amplifier's inverting input will cause the amplifier to oscillate due to a pole formed at 3.2MHz. An additional capacitor of 5pF across the feedback resistor as shown in Figure 2 will eliminate any ringing or oscillation.

Shutdown

The single and dual versions have \overline{SHDN} pins that can shut down the amplifier to less than $7\mu A$ supply current. The \overline{SHDN} pin voltage needs to be within 0.6V of V^- for the amplifier to shut down. During shutdown, the output will be in high output resistance state, which is suitable for multiplexer applications. When left floating, the \overline{SHDN} pin is internally pulled up to the positive supply and the amplifier remains enabled.

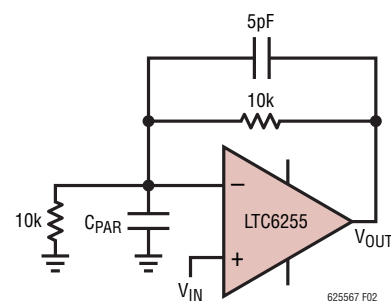


Figure 2.

TYPICAL APPLICATIONS

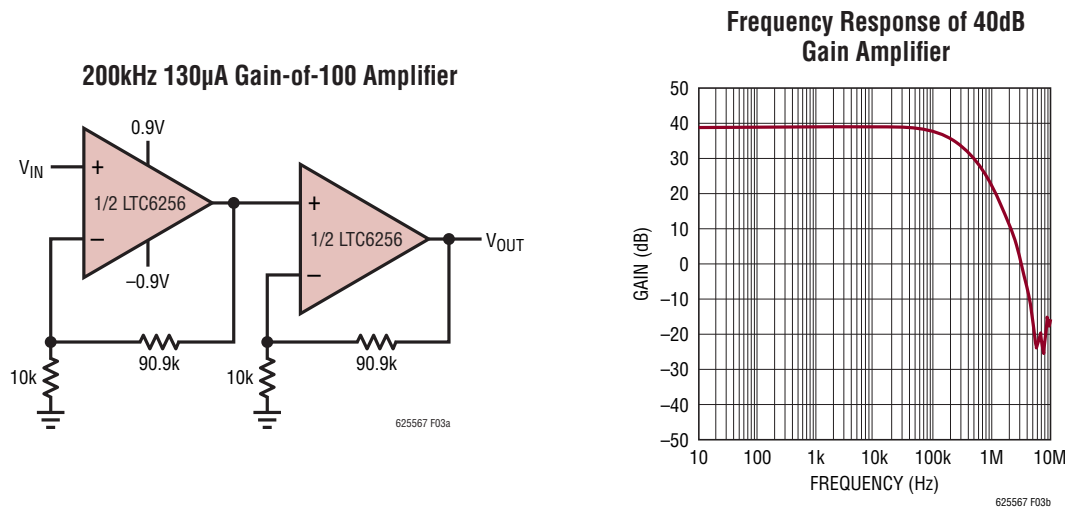


Figure 3. Gain of 100 Amplifier (3dB Bandwidth of 200kHz on 130µA Supply Current)

LTC6255 Very Low Power 2nd Order Lowpass Filter

The LTC6256 circuit shown in Figure 4 is a 2nd order, 100kHz, Butterworth lowpass filter. The filter's differential output maximizes the dynamic range in very low voltage operation. A general 2nd order lowpass circuit is shown in

Figure 5 with the equations to calculate the RC components for cutoff frequencies up to 100kHz for a Butterworth or a Bessel approximation (a Bessel lowpass filter has very low transient response overshoot). In addition the equations for a 4th order lowpass filter are provided to calculate the RC components for two cascaded 2nd order sections.

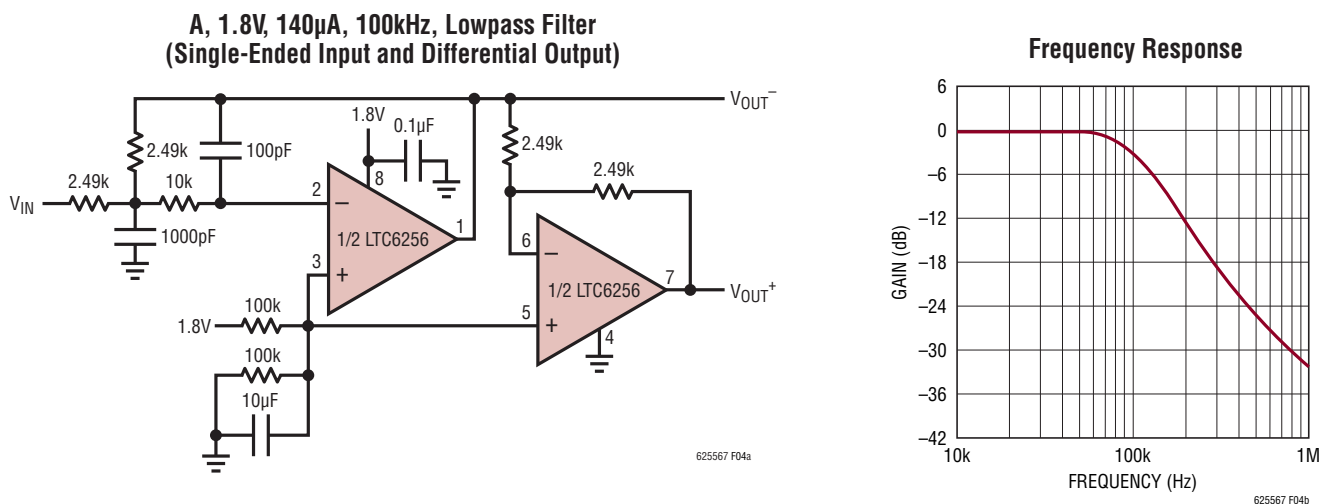


Figure 4

LTC6255/LTC6256/LTC6257

TYPICAL APPLICATIONS

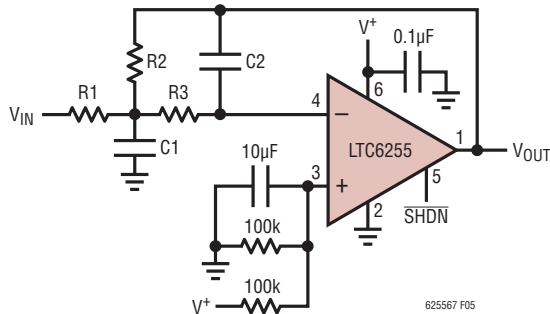


Figure 5

RC Component Equations

$$R2 = \frac{1 - \sqrt{\left(1 - 4Q^2 \left[\text{Gain} + 1\right] \frac{C2}{C1}\right)}}{4\pi Q f_0 C2}$$

$$R3 = \frac{1}{4\pi^2 R2 C1 C2 f_0^2}$$

$$\text{Gain} = \frac{R2}{R1}$$

$$R1 = \frac{R2}{\text{Gain}}$$

$$C1 > 4Q^2(\text{Gain} + 1)C2$$

Maximum $f_{-3dB} = 100\text{kHz}$ and

$$\text{Maximum Gain} = \frac{100\text{kHz}}{f_{-3dB}}$$

Table 1.

| f_0 AND Q VALUES | | |
|--------------------------|--|----------------------------|
| 2nd Order Lowpass | | |
| Butterworth | $f_0 = f_{-3dB}$ | $Q = 0.707$ |
| Bessel | $f_0 = 1.274 \cdot f_{-3dB}$ | $Q = 0.577$ |
| 4th Order Lowpass | | |
| Butterworth | $f_0 = f_{-3dB}$ $f_0 = f_{-3dB}$ | $Q = 0.541$ $Q = 1.307$ |
| Bessel | $f_0 = 1.419 \cdot f_{-3dB}$ $f_0 = 1.591 \cdot f_{-3dB}$ | $Q = 0.522$ $Q = 0.806$ |

2µs Rise Time Analog 1A Pulsed LED Current Driver

Figure 6 shows the LTC6255 applied as a fast, efficient analog LED current driver. High power LEDs are used in applications ranging from brake lights to video projectors. Most LED applications pulse the LEDs for the best efficiency, and many applications take advantage of control of both pulse width and analog current amplitude.

In order to extend the circuit's input range to accommodate 5V output DACs, the input voltage is initially divided by 50 through the R1:R2 divider. The reduced step is applied to the LTC6255 non inverting input, and LTC6255 output rises until MOSFETs Q1 through Q3 begin to turn on, increasing the current in their drains and therefore the LED. The amount of current is sensed on R3, and fed back to the LTC6255 inverting input through R5. The loop is compensated by R5 and C1, with R4 distancing the gate capacitance from the op amp output for the best time domain response. 10% to 90% rise time was measured at 2µs on a 10mA to 1A pulse. Starting at 0 current there is an additional delay of 2.7µs.

It may seem strange to use a micropower op amp in a high current LED application, but it can be justified by the low duty cycles encountered in LED drive applications. A one

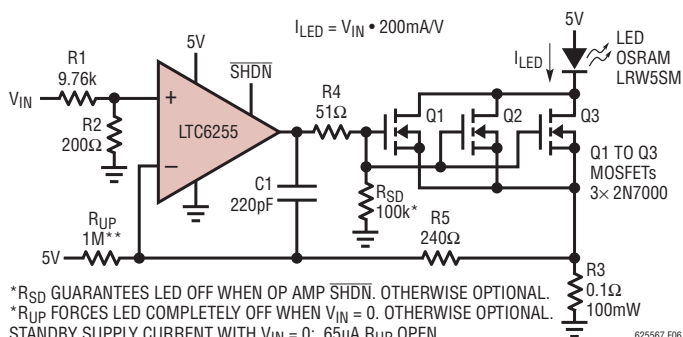
TYPICAL APPLICATIONS

amp LED is quite bright even when driven at 1% or even 0.1% duty cycles and these constitute 10mA and 1mA average current levels respectively, in which case the supply current of the op amp becomes noticeable. The LTC6255 combines 6.5MHz of gain-bandwidth product and 1.8V/ μ s slew rate on a supply current budget of only 65 μ A.

When V_{IN} is at 0V, the op amp supply current is nominally 65 μ A, but the 450 μ V maximum input offset may appear across R3 inducing a 4.5mA current in the LED. Some applications want a guaranteed zero LED current at $V_{IN} = 0$, and

this is the purpose of R_{UP} . R_{UP} forces 5 μ A reverse current through R5 creating a negative 1.2mV output offset at R3. This guarantees a zero LED current, but note that the op amp supply current rises from 65 μ A to a still respectable 650 μ A in this case due to internal protection circuitry for the output stage. For reduced current, the LTC6255 can be shut down, but the output becomes high impedance and may leak high which will turn on the MOSFETs and LED hard. Adding pull-down resistor R_{SD} ensures that the LTC6255 output goes low when shutting down.

2 μ s Rise Time Analog 1A Pulsed LED Current Driver



* R_{SD} GUARANTEES LED OFF WHEN OP AMP \overline{SHDN} . OTHERWISE OPTIONAL.

* R_{UP} FORCES LED COMPLETELY OFF WHEN $V_{IN} = 0$. OTHERWISE OPTIONAL.

STANDBY SUPPLY CURRENT WITH $V_{IN} = 0$: 65 μ A R_{UP} OPEN
650 μ A R_{UP} INSTALLED

10% TO 90% RISE TIME: 10mA TO 1A, 2 μ s
0mA TO 1A, ADD 2.7 μ s DELAY

Figure 6: LTC6255 Applied as a LED Current Driver with 2 μ s Rise Time

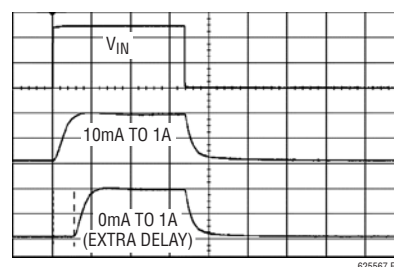
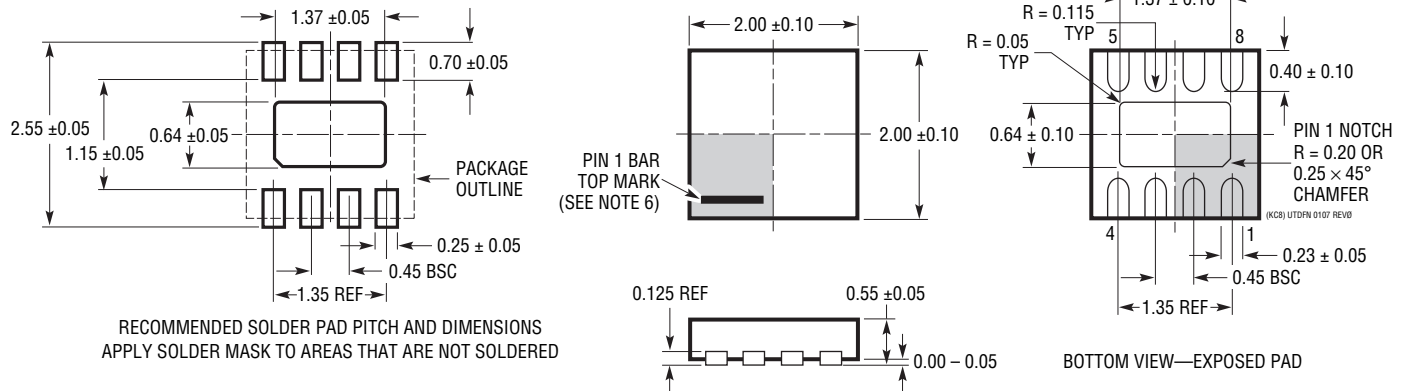


Figure 7: Time Domain Response Showing 2 μ s Rise Time. Top Waveform Is V_{IN} . Middle Waveform Is the 10mA to 1A Step Measured at R3, then the 0mA to 1A Step Showing Extra 2.7 μ s Delay When Recovering From 0mA

LTC6255/LTC6256/LTC6257

PACKAGE DESCRIPTION

KC Package
8-Lead Plastic UTDFN (2mm × 2mm)
 (Reference LTC DWG # 05-08-1749 Rev 0)

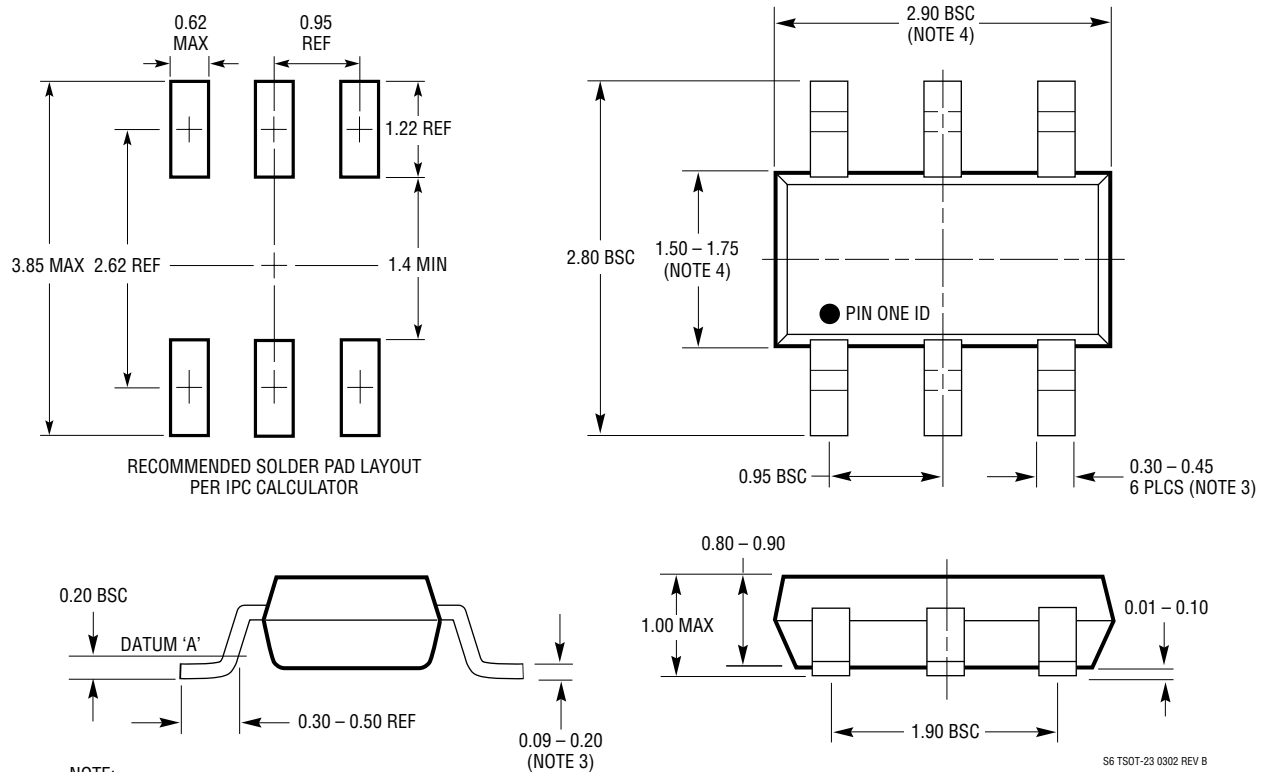


NOTE:

1. DRAWING IS NOT A JEDEC PACKAGE OUTLINE
2. DRAWING NOT TO SCALE
3. ALL DIMENSIONS ARE IN MILLIMETERS
4. DIMENSIONS OF EXPOSED PAD ON BOTTOM OF PACKAGE DO NOT INCLUDE MOLD FLASH. MOLD FLASH, IF PRESENT, SHALL NOT EXCEED 0.15mm ON ANY SIDE
5. EXPOSED PAD SHALL BE SOLDER PLATED
6. SHADED AREA IS ONLY A REFERENCE FOR PIN 1 LOCATION ON THE TOP AND BOTTOM OF PACKAGE

PACKAGE DESCRIPTION

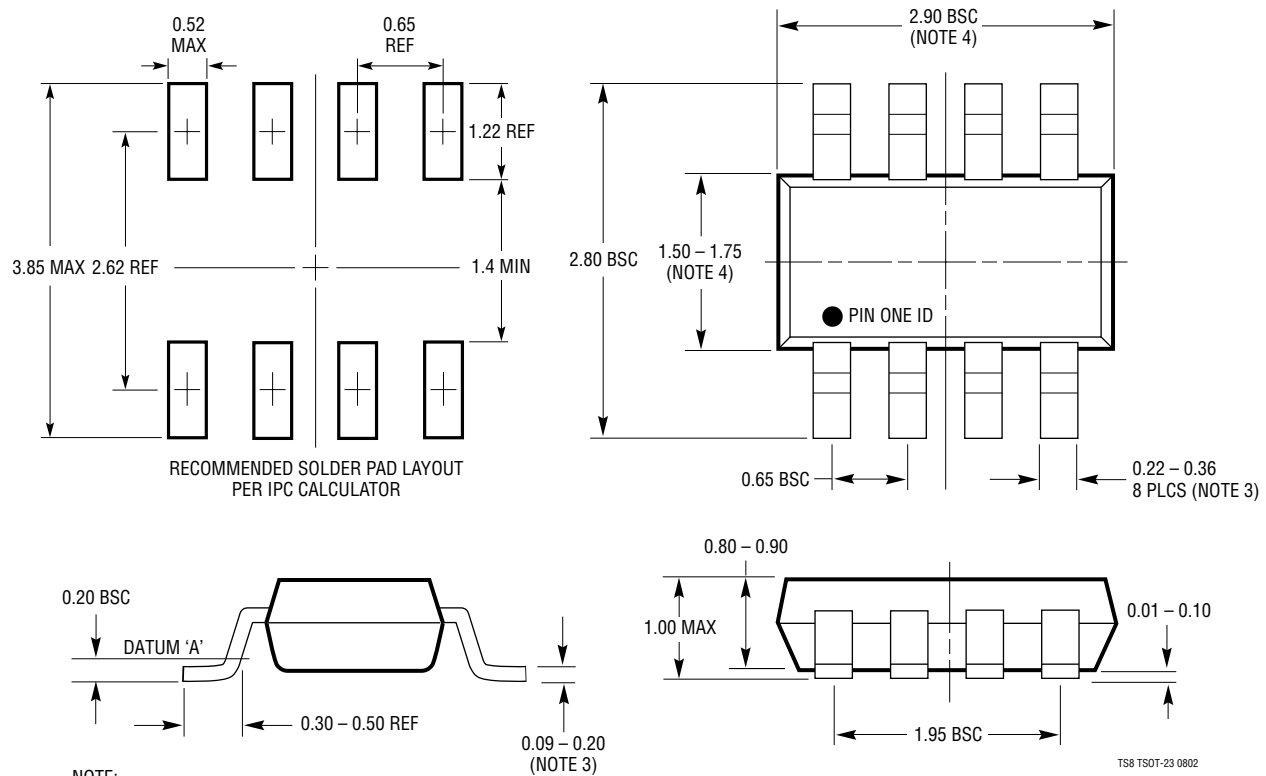
S6 Package
6-Lead Plastic TSOT-23
 (Reference LTC DWG # 05-08-1636)



LTC6255/LTC6256/LTC6257

PACKAGE DESCRIPTION

TS8 Package
8-Lead Plastic TSOT-23
 (Reference LTC DWG # 05-08-1637)



NOTE:

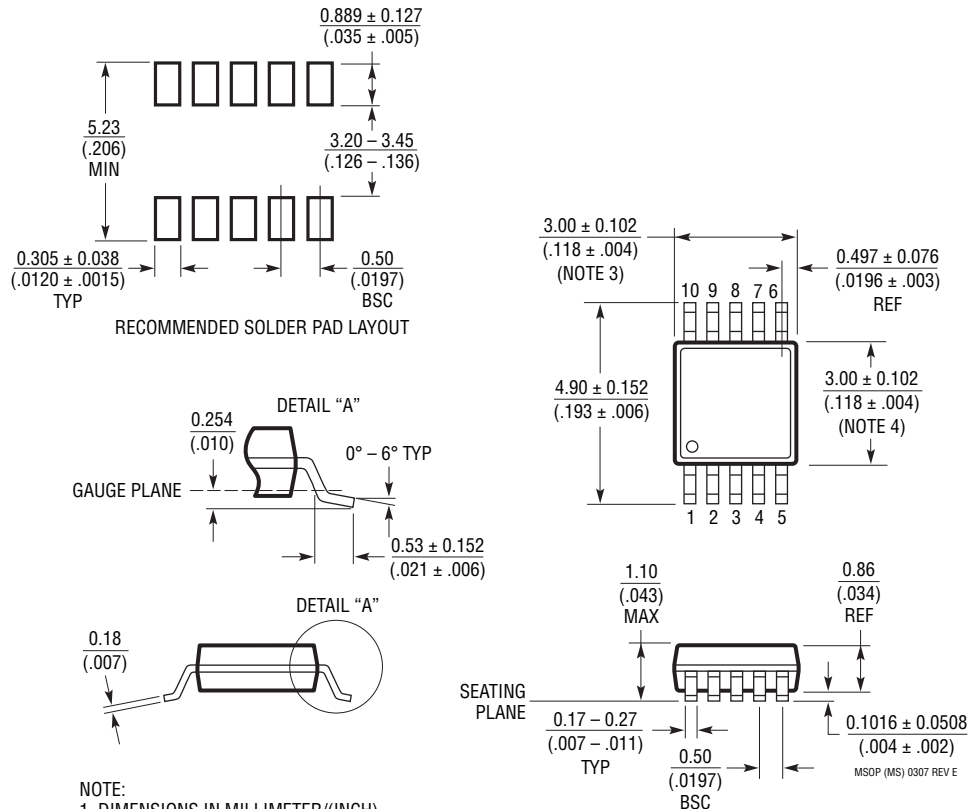
1. DIMENSIONS ARE IN MILLIMETERS
2. DRAWING NOT TO SCALE
3. DIMENSIONS ARE INCLUSIVE OF PLATING
4. DIMENSIONS ARE EXCLUSIVE OF MOLD FLASH AND METAL BURR
5. MOLD FLASH SHALL NOT EXCEED 0.254mm
6. JEDEC PACKAGE REFERENCE IS MO-193

LTC6255/LTC6256/LTC6257

PACKAGE DESCRIPTION

MS Package
10-Lead Plastic MSOP

(Reference LTC DWG # 05-08-1661 Rev E)



NOTE:

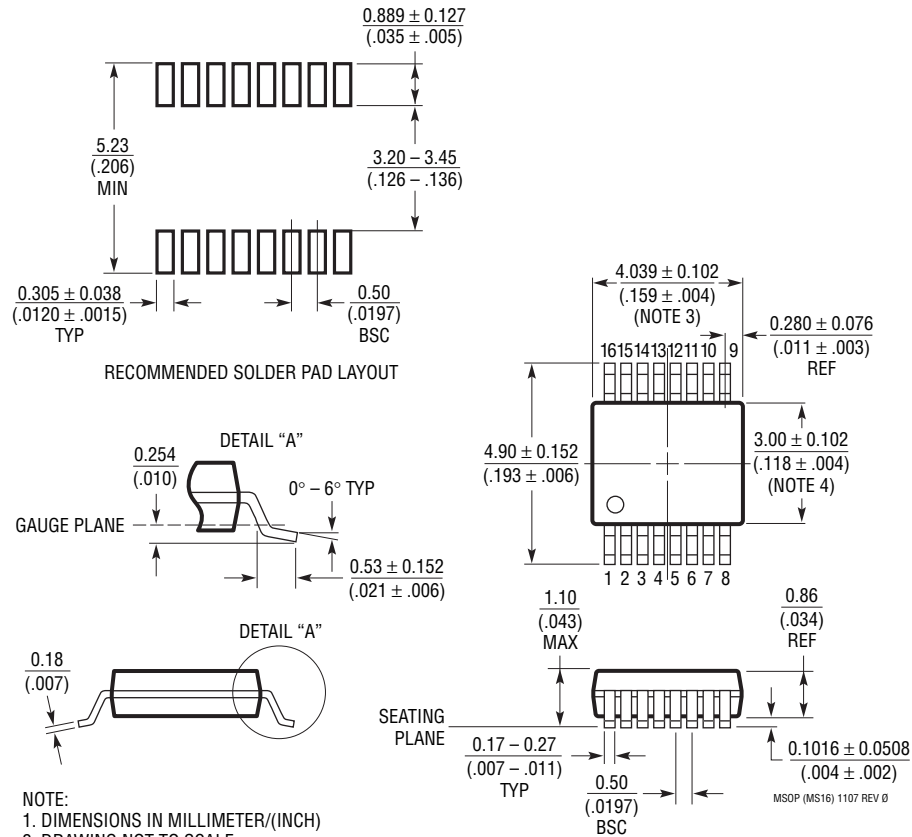
1. DIMENSIONS IN MILLIMETER/(INCH)
2. DRAWING NOT TO SCALE
3. DIMENSION DOES NOT INCLUDE MOLD FLASH, PROTRUSIONS OR GATE BURRS.
MOLD FLASH, PROTRUSIONS OR GATE BURRS SHALL NOT EXCEED 0.152mm (.006") PER SIDE
4. DIMENSION DOES NOT INCLUDE INTERLEAD FLASH OR PROTRUSIONS.
INTERLEAD FLASH OR PROTRUSIONS SHALL NOT EXCEED 0.152mm (.006") PER SIDE
5. LEAD COPLANARITY (BOTTOM OF LEADS AFTER FORMING) SHALL BE 0.102mm (.004") MAX

PACKAGE DESCRIPTION

MS Package

16-Lead Plastic MSOP

(Reference LTC DWG # 05-08-1669 Rev 0)



NOTE:

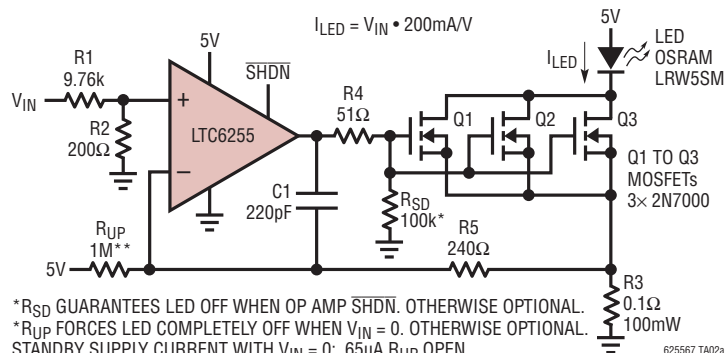
1. DIMENSIONS IN MILLIMETER/(INCH)
2. DRAWING NOT TO SCALE
3. DIMENSION DOES NOT INCLUDE MOLD FLASH, PROTRUSIONS OR GATE BURRS.
MOLD FLASH, PROTRUSIONS OR GATE BURRS SHALL NOT EXCEED 0.152mm (.006") PER SIDE
4. DIMENSION DOES NOT INCLUDE INTERLEAD FLASH OR PROTRUSIONS.
INTERLEAD FLASH OR PROTRUSIONS SHALL NOT EXCEED 0.152mm (.006") PER SIDE
5. LEAD COPLANARITY (BOTTOM OF LEADS AFTER FORMING) SHALL BE 0.102mm (.004") MAX

MSOP (MS16) 1107 REV 0

LTC6255/LTC6256/LTC6257

TYPICAL APPLICATION

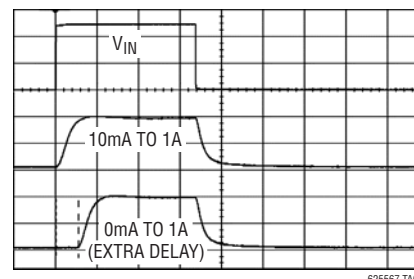
2 μ s Rise Time Analog 1A Pulsed LED Current Driver.
LTC6255 Applied as a LED Current Driver with 2 μ s Rise Time



*R_{SD} GUARANTEES LED OFF WHEN OP AMP SHDN. OTHERWISE OPTIONAL.
*R_{UP} FORCES LED COMPLETELY OFF WHEN V_{IN} = 0. OTHERWISE OPTIONAL.
STANDBY SUPPLY CURRENT WITH V_{IN} = 0: 65 μ A R_{UP} OPEN
650 μ A R_{UP} INSTALLED

10% TO 90% RISE TIME: 10mA TO 1A, 2 μ s
0mA TO 1A, ADD 2.7 μ s DELAY

Time Domain Response Showing 2 μ s Rise Time. Top Waveform Is V_{IN}. Middle Waveform Is the 10mA to 1A Step Measured at R3, then the 0mA to 1A Step Showing Extra 2.7 μ s Delay When Recovering From 0mA



RELATED PARTS

| PART NUMBER | DESCRIPTION | COMMENTS |
|-----------------------------|---|---|
| LTC6246/LTC6247/ LTC6248 | 180MHz, 1 μ A, Power Efficient Rail-to-Rail Op Amps | 180MHz GBW, 1mA, 500 μ V V _{OS} , RR In/Out, 2.5V to 5.25V, 90V/ μ s Slew Rate |
| LT1498/LT1499 | 10MHz, 6V/ μ s, Dual/Quad, Rail-to-Rail Input and Output, Precision C-Load Op Amps | 10MHz GBW, 1.7mA, 475 μ V V _{OS} , RR In/Out, 2.2V to \pm 15V, 10nF C _{LOAD} |
| LTC6081/LT6082 | Precision Dual/Quad CMOS Rail-to-Rail Input/Output Amplifiers | 3.6MHz GBW, 330 μ A, 70 μ V V _{OS} , RR In/Out, 2.7V to 5.5V, 100dB CMRR |
| LTC2050/LTC2051/ LTC2052 | Zero-Drift Operational Amplifiers in SOT-23 | 3MHz GBW, 800 μ A, 3 μ V V _{OS} , V ⁻ to V ⁺ - 1V In, RR Out, 2.7V to 6V, 130dB CMRR/PSRR |
| LTC1050/LTC1051/ LTC1052 | Precision Zero-Drift, Operational Amplifier with Internal Capacitors | 2.5MHz GBW, 1mA, 5 μ V V _{OS} , V ⁻ to V ⁺ - 2.3V In, RR Out, 4.75V to 16V, 120dB CMRR, 125dB PSRR |
| LTC6084/LTC6085 | Dual/Quad 1.5MHz, Rail-to-Rail, CMOS Amplifiers | 1.5MHz GBW, 110 μ A, 750 μ V V _{OS} , RR In/Out, 2.5V to 5.5V |
| LT1783 | 1.25MHz, Over-The-Top [®] Micropower, Rail-to-Rail Input and Output Op Amp in SOT-23 | 1.25MHz GBW, 300 μ A, 800 μ V V _{OS} , RR In/Out, 2.5V to 18V |
| LT1637/LT1638/ LT1639 | 1.1MHz, 0.4V/ μ s Over-The-Top Micropower, Rail-to-Rail Input and Output Op Amps | 1.1MHz GBW, 250 μ A, 350 μ V V _{OS} , RR In/Out, 2.7V to 44V, 110dB CMRR |
| LT2054/LT2055 | Single/Dual Micropower Zero-Drift Operational Amplifiers | 500kHz GBW, 150 μ A, 3 μ V V _{OS} , V ⁻ to V ⁺ - 0.5V In, RR Out, 2.7V to 6V |
| LT6010/LT6011/ LT6012 | 135 μ A, 14nV/ $\sqrt{\text{Hz}}$, Rail-to-Rail Output Precision Op Amp with Shutdown | 330kHz GBW, 135 μ A, 35 μ V V _{OS} , V ⁻ + 1.0V to V ⁺ - 1.2V In, RR Out, 2.7V to 36V |
| LT1782 | Micropower, Over-The-Top, SOT-23, Rail-to-Rail Input and Output Op Amp | 200kHz GBW, 55 μ A, 800 μ V V _{OS} , RR In/Out, 2.5V to 18V |
| LT1636 | Over-The-Top, Micropower Rail-to-Rail, Input and Output Op Amp | 200kHz GBW, 50 μ A, 225 μ V V _{OS} , RR In/Out, 2.7V to 44V, -40°C to 125°C |
| LT1490A/LT1491A | Dual/Quad Over-The-Top, Micropower Rail-to-Rail Input and Output Op Amps | 200kHz GBW, 50 μ A, 500 μ V V _{OS} , RR In/Out, 2V to 44V |
| LT2178/LT2179 | 17 μ A Max, Dual and Quad, Single Supply, Precision Op Amps | 85kHz GBW, 17 μ A, 70 μ V V _{OS} , RR In/Out, 5V to 44V |
| LT6000/LT6001/ LT6002 | Single, Dual and Quad, 1.8V, 13 μ A Precision Rail-to-Rail Op Amps | 50kHz GBW, 16 μ A, 600 μ V V _{OS(MAX)} , RR In/Out, 1.8V to 18V |

625567f