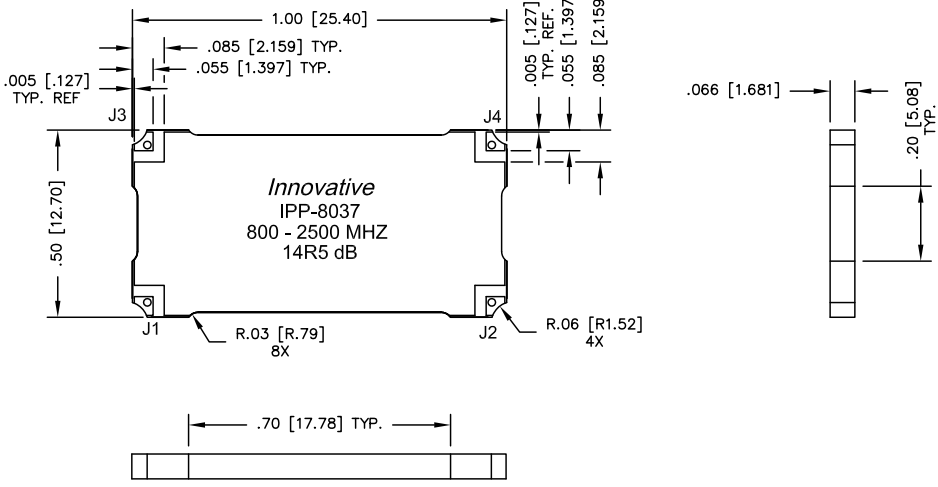


UNAUTHORIZED USE OF THIS DRAWING IS STRICTLY PROHIBITED

DAR	REV	DESCRIPTION	APPVD	DATE
2594	A	INITIAL RELEASE	DG	7-10



FINISH	
P/N	TYPE
IPP-8037	TIN/LEAD
IPP-8037RT	RoHS MATTE TIN
IPP-8037RG	RoHS NICKEL GOLD

- NOTES:**
- SEE SMD COUPLER APPLICATION NOTE FOR FURTHER INFORMATION.
 - PARTS WITH RoHS MATTE TIN AND RoHS NICKEL GOLD FINISHES ARE RoHS COMPLIANT.
 - AVAILABLE IN TAPE AND REEL. SEE SMD COUPLER APPLICATION NOTE FOR FURTHER INFORMATION.

PORT CONFIGURATION			
INPUT	OUTPUT	FORWARD COUPLED	REFLECTED COUPLED
J1	J2	J3	J4 ADD 50Ω TERMINATION
J1	J2	J3 ADD 50Ω TERMINATION	J4
J2	J1	J4	J3 ADD 50Ω TERMINATION
J2	J1	J4 ADD 50Ω TERMINATION	J3

ELECTRICAL SPECIFICATIONS

FREQUENCY: 800 - 2500 MHz.
 INSERTION LOSS: <0.40 dB
 VSWR: <1.25:1
 COUPLING: 14.5dB ±1.0 dB
 COUPLED FLATNESS: ±0.75 dB
 DIRECTIVITY: >20 dB
 POWER: 150 WATT
 TEMPERATURE: -55°C TO +85°C

MATERIAL	DWN DG	DATE 6-10	Innovative Power Products
FINISH	ENG TJD	DATE 6-10	
SEE FINISH CHART	MANUF	DATE	TITLE
TOLERANCE	CAGE CODE: 437R2		OUTLINE, SMD COUPLER
.xx ±.02 [.50]	SHEET OF 1 1	SCALE 4:1	BDC, 800-2500 MHz. -14.5dB 150W
.xxx ±.010 [.254]			SIZE B P/N
ANG. ±1/2°			IPP-8037
			REV. A