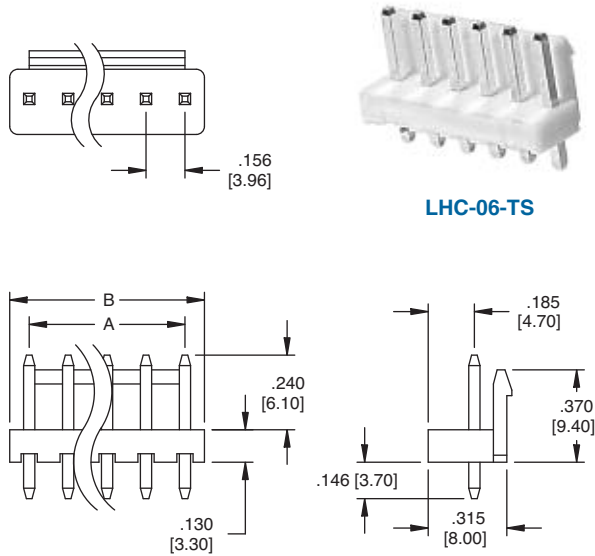
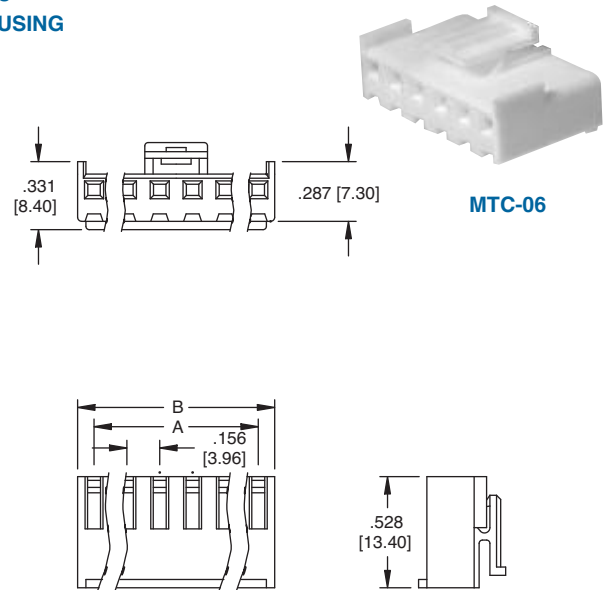


<p style="text-align: right;">LHB STRAIGHT WITHOUT BACK</p> <p style="text-align: center;">LHB-08-SA2</p>	<p style="text-align: right;">LHB RIGHT ANGLE WITHOUT BACK</p> <p style="text-align: center;">LHB-08-SB2</p>
<p style="text-align: right;">LHB STRAIGHT WITH BACK</p> <p style="text-align: center;">LHB-09-SA1</p>	<p style="text-align: right;">LHB RIGHT ANGLE WITH BACK</p> <p style="text-align: center;">LHB-09-SB1</p>
<p style="text-align: right;">MTB CRIMP HOUSING</p> <p style="text-align: center;">MTB-08</p>	<p style="text-align: right;">MTB CRIMP CONTACT</p>
<p>A = .156 [3.96] x No. of Spaces B = .156 [3.96] X No. of Positions</p> <p style="text-align: center;">Recommended PCB Layout</p>	

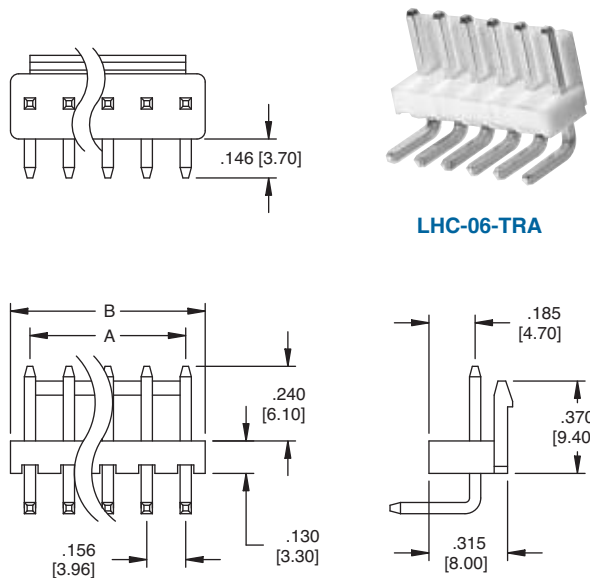
LHC STRAIGHT WITH REAR LOCK



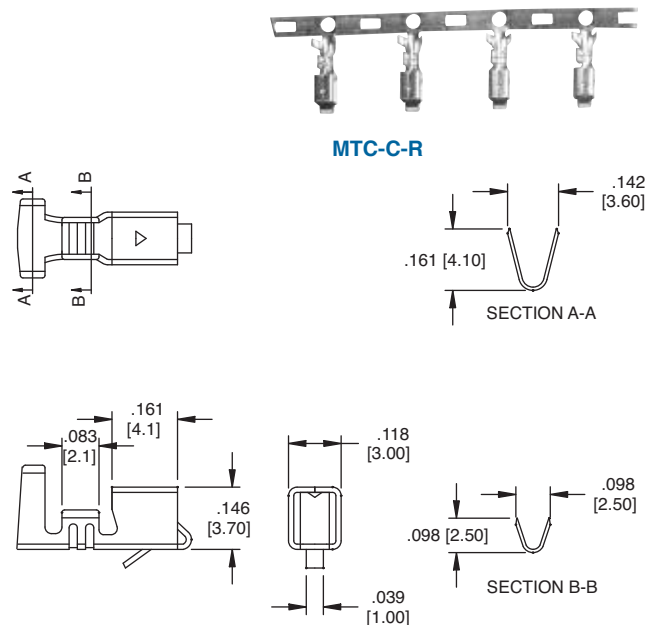
MTC HOUSING



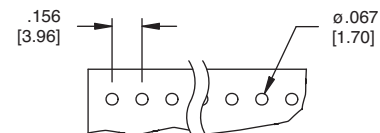
LHC RIGHT ANGLE WITH REAR LOCK



MTC-C CRIMP CONTACTS



A = .156 [3.96] x No. of Spaces
B = .156 [3.96] X No. of Spaces + .156 [3.96]



Recommended PCB Layout

LHD STRAIGHT PCB MOUNT

A = .156 [3.96] x No. of Positions
B = .156 [3.96] x No. of Spaces

LHD-06-TS

MTB HOUSING

A = .156 [3.96] x No. of Positions
B = .156 [3.96] x No. of Spaces

MTB-08

LHD RIGHT ANGLE PCB MOUNT

A = .156 [3.96] x No. of Positions
B = .156 [3.96] x No. of Spaces

LHD-06-TRA

LHD REVERSE RIGHT ANGLE PCB MOUNT

A = .156 [3.96] x No. of Positions
B = .156 [3.96] x No. of Spaces

LHD-06-TRB

MTC-C CRIMP CONTACT

MTC-C-R

SECTION B-B

SECTION A-A

Recommended PCB Layout