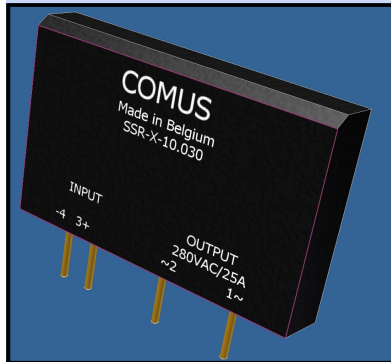


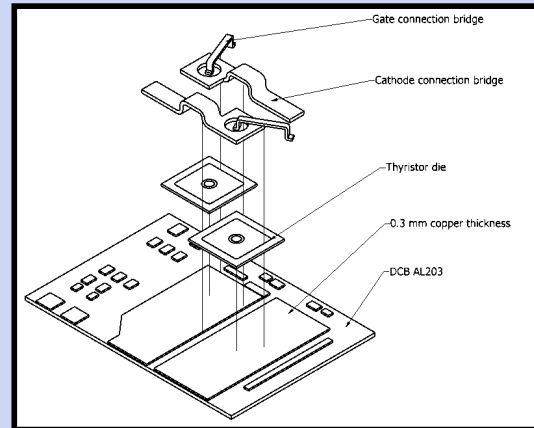
Features



- Switching** Random
- Output** Direct copper bonding with 50A or 75A thyristors with strong soldered copper bridging (no wire bonding).
- Input** Very low current control max. 2mA

Applications

Special designed for stage light control.
 High I²t > 5000 A²s

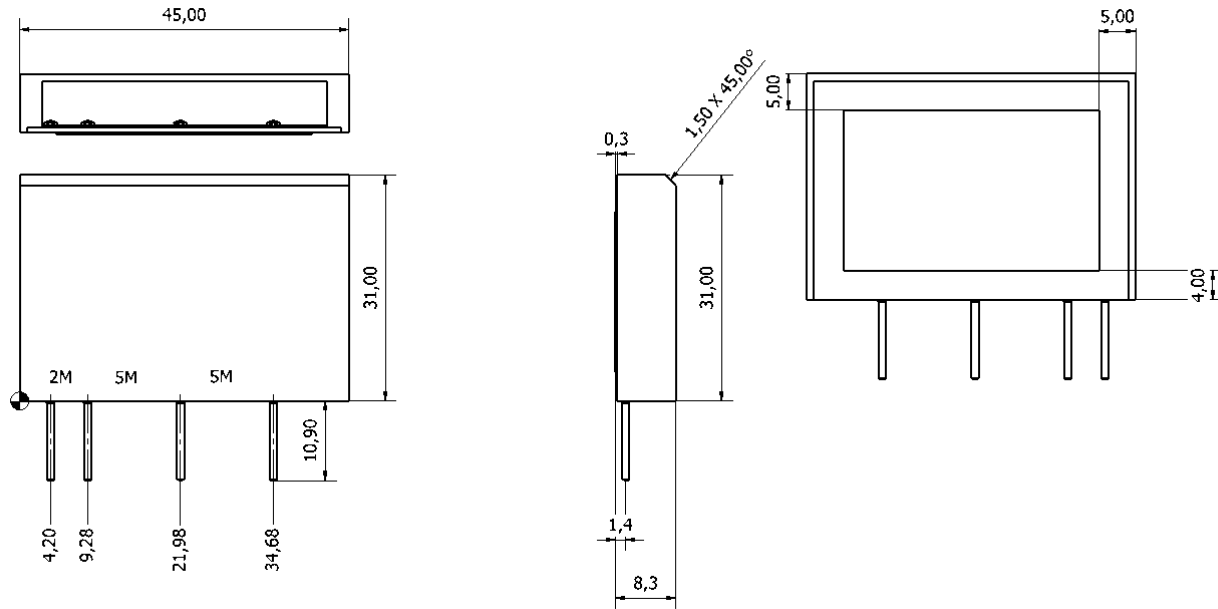


Technical data

	THYRISTOR	50 A	75 A
Input circuit			
Control current range		2...30 mA	
Forward voltage max. (IF=10mA)		1.4V	
Reverse voltage max.		6.0V	
Input resistance		option	
Output circuit			
Load voltage range		48 ...280 VAC	
Peak-off state voltage		600 V _{drm}	
Off-state leakage current			
Load current range		0,1 25A	
Surge current 1 half wave (T _J =45 °C)		500 A _{peak}	1150 A _{peak}
I ² t for fusing t < 10 ms		> 1300 A ² s	>5000 A ² s
On-state voltage		1,4 V _{peak}	
Off-state (static) dv/dt min.		1000 V/μs	
General data			
Turn-on time max.		0,1 ms	
Turn-off time max.		11 ms	
Line frequency range.		47...63 Hz	
Isolation volt. between input/output		4.000 V	
Isolation volt. between input-output/base		4.000 V	
Isolation resistance		50 MΩ	
Operation temperature		-20...+80 °C	
Approvals		—	

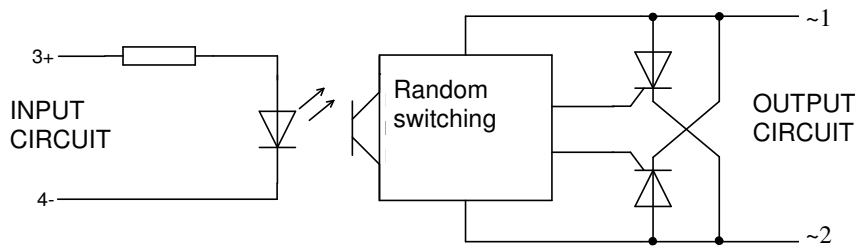
PRELIMINARY

Dimensions in mm



Circuit diagram

PRELIMINARY



Derating-diagramme

PRELIMINARY

Housing specifications

Weight	Approx. 20 g
Housing material	Glass filled polyester
Potting compound	Thermally conductive epoxy
Terminals	Solder pins

Ordering