



## Features

- Class C+ GPON OLT transceiver
- Small Form Factor, 2 x 10 pigtailed bi-directional
- 1490 nm DFB Tx /1310 nm APD Rx
- 2488 Mbps downstream Tx/1244 Mbps upstream Rx
- -5 to 70°C case temperature operation
- Single 3.3 V supply
- ITU-T G.984.2 compliant
- 20 km reach
- SC/UPC fiber connector; IEC 61754-4 compliant
- RoHS compliance
- Meets UL 94V-1 flammability

**Table 1 – General Operating**

Parameter	Symbol	Min.	Typical	Max.	Unit	Notes
Operating Voltage	V <sub>cc</sub>	3.14	3.3	3.46	V	
Supply Current	I <sub>cc</sub>	-	-	450	mA	
Operating Temperature(case)	T <sub>opr</sub>	-5		70	°C	
Storage Temperature	T <sub>stg</sub>	-40	-	85	°C	

**Table 2 – General Optical Parameters**

Parameter	Min.	Typical	Max.	Unit
Back Reflection at 1490 nm	-	-	-20	dB
Back Reflection at 1310 nm	-	-	-20	dB
1490 nm to 1310 nm crosstalk	-	-	-45	dB

**Table 3 – Optical Characteristics**

Transmitter						
Parameter	Symbol	Min.	Typical	Max.	Unit	Notes
Centre Wavelength	$\lambda_C$	1480	1490	1500	nm	
Optical Spectrum Width (-20dB)	$\Delta\lambda$	-	-	1	nm	
Side Mode Suppression Ratio	SMSR	30	-	-	dB	
Average Launch Power	$P_{OUT}$	3	-	7	dBm	
Average Launch Power-OFF Transmitter	$P_{OFF}$	-	-	-40	dBm	
Extinction Ratio	ER	10	-		dB	1
Laser Overshoot		-	-	300	%	
Optical Path Penalty				1	dB	2
Optical Rise and Fall Time		-	-	160	ps	3
Tolerance to TX back reflection		-15	-	-	dB	4
Data Rate		-	2488	-	Mbps	
Optical Eye Diagram	Compliant With ITU-T G984.2					
Receiver						
Operating Wavelength	$\lambda_C$	1260	1310	1360	nm	
Upstream Data Rate +/- 100ppm (burst-mode)		-	1244	-	Mbps	
Sensitivity	$P_{SEN}$	-	-	-30	dBm	
Overload	$P_{OL}$	-8	-	-	dBm	
Maximum Reflectance of Receiver	$RX_r$	-	-	-20	dB	

Notes:

1. PRBS  $2^{23}-1$ , NRZ, 50% duty cycle
2. Over 20km with dispersion value of 300ps/nm.
3. 20% to 80%
4. 1 dB degradation of receiver sensitivity

**Table 4 – Electrical Characteristics**

Transmitter						
Parameter	Symbol	Min.	Typical	Max.	Unit	Notes
Input Differential Impedance	$R_{IN}$	80	100	120	$\Omega$	
Single Ended data input swing	$V_{IN, p-p}$	300	-	1200	mV	
Tx Disable (LVTTL)	$V_d$	2	-	$V_{CC}$	V	
Tx Enable (LVTTL)	$V_{en}$	0	-	0.8	V	
SD_High	$V_{SDH}$	2	-	$V_{CC}$	V	
SD_Low	$V_{SDL}$	0	-	0.4	V	
Tx_Fail_High (LVTTL)	$V_{Fail}$	2	-	$V_{CC}$	V	

Tx_Fail_Normal (LVTTTL)	V <sub>Normal</sub>	0	-	0.4	V	
<b>Receiver</b>						
Data Output Rise and Fall Time	T <sub>OUT</sub>	-	250	-	ps	1
Single ended data output swing (LVPECL)	V <sub>OUT, p-p</sub>	300	-	1200	mV	
Signal Detect Output LOW	V <sub>DETL</sub>	0	-	0.8	V	
Signal Detect Output HIGH	V <sub>DETH</sub>	2.4	-	V <sub>CC</sub>	V	
Signal Detect Response Time	T <sub>SD</sub>	-	-	-	ns	

Notes:

1. 20% to 80%

**Table 5 – Digital RSSI Timing Specification**

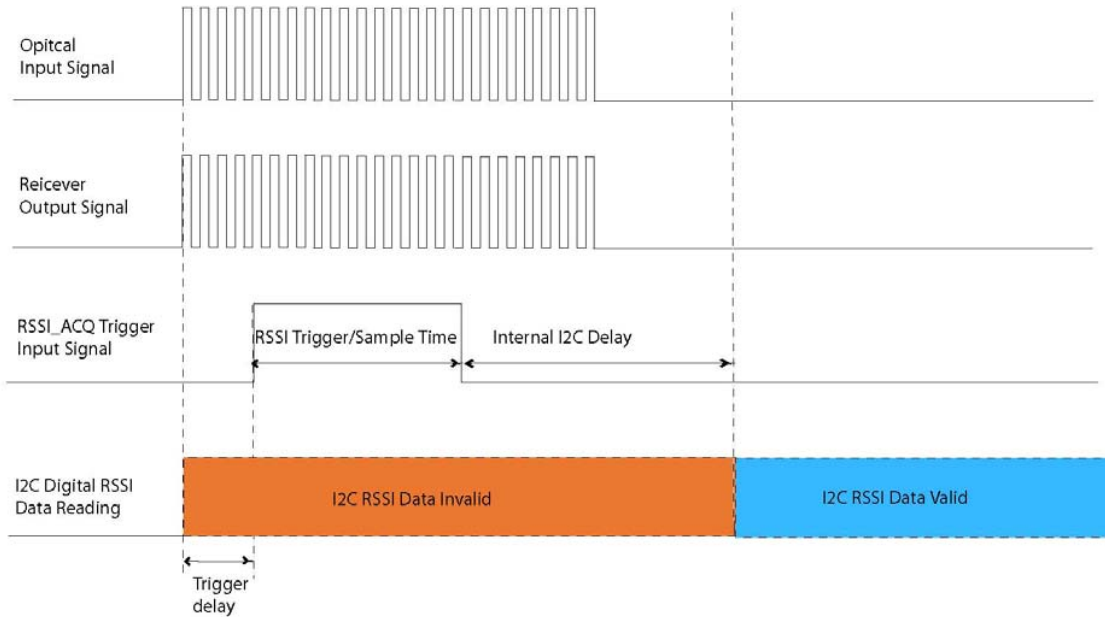
Parameter	Symbol	Min	Typical	Max	Unit
RSSI Trigger Delay <sup>a</sup>	T <sub>Trigger</sub>	25	-	-	ns
RSSI Sampling Time	RSSI <sub>sample</sub>	300	-	-	ns
Internal I2C Delay	T <sub>I2C</sub>	-	-	500	μs
Receiver Power DDM (RSSI) Error <sup>b</sup>	RX <sub>DDM</sub>	-	-	+/- 3	dB

- a) RSSI\_ACQ input signal rising edge will trigger RSSI sampling, and falling edge will trigger internal digital RSSI information written to I2C. It is recommended that host shall not trigger RSSI\_ACQ input again until RSSI data is valid in I2C from previous RSSI trigger.
- b) RSSI DDM working range between -10 to -30dBm. RSSI DDM accuracy is better than +/-3dB for input power range between -12 to -30dBm and the accuracy reduces to +/-5dB for input power range between -10 to -12dBm. If the data pattern is at least 2<sup>7</sup>-1 or longer, a minimum average of 8 times is strongly recommended to maintain the RSSI reading accuracy.

**Table 6 –Pin Function Definitions**

Pin	Name	Description
1	Acquire/ $\overline{\text{Hold}}$	LVTTTL input. High is Acquire mode and low is Hold mode.
2	RSSI_ACQ	RSSI acquisition. LVTTTL input. Acquired RSSI value is converted and read via I2C bus.
3	RX_GND	Rx Ground
4	Reserved	No User Connection; Internal use
5	Reserved	No User Connection; Internal use
6	RX_GND	Rx Ground
7	RX_Vcc	Rx Vcc
8	BRST_Det	LVTTTL output, active high. BRST_Det assert low when module reset, assert high when incoming burst detected
9	RXD-	Negative Data Output, LVPECL; DC coupled
10	RxD+	Positive Data Output, LVPECL; DC coupled
11	TX_Vcc	Tx Vcc
12	TX_GND	Tx Ground
13	TX_DIS	Tx Disable. LVTTTL input. Laser output is disabled when this pin is asserted high or left unconnected. Laser output is enabled when this pin is asserted low.
14	TXD+	Positive Data Input, LVPECL or CML (AC coupled; internally 100 ohms differential termination).
15	TXD-	Negative Data Input, LVPECL or CML (AC coupled; internally 100 ohms differential termination).
16	TX_GND	Tx Ground
17	SCL	2-Wire Serial Clock Input. Clocks data into and out of the device.
18	SDA	2-Wire Serial Data I/O Pin. Transfers serial data to and from the device.
19	TX_FAIL	Tx Fail Alarm. LVTTTL Output Active high.
20	TX_GND	Tx Ground

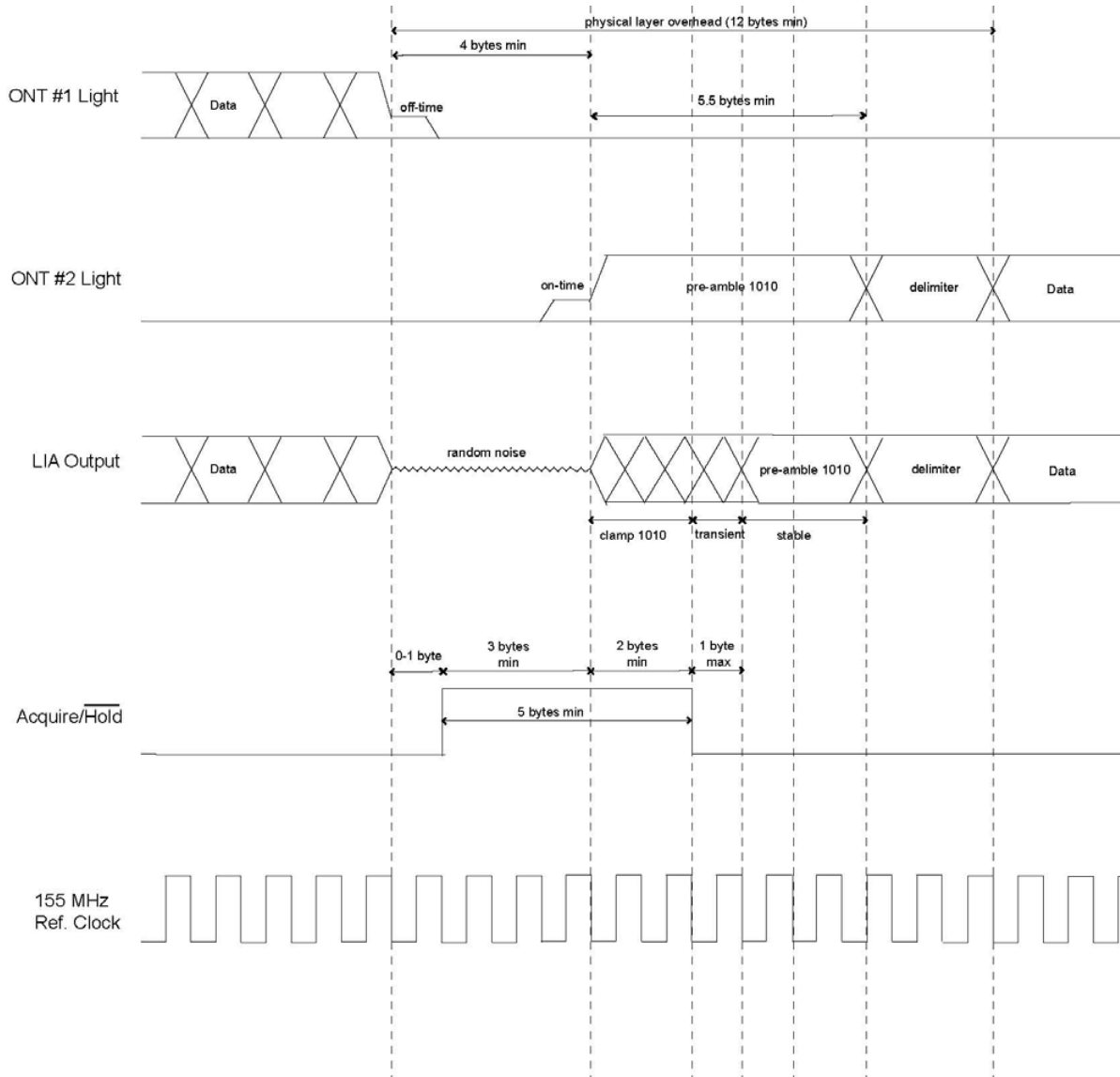
### Digital RSSI Timing



**Figure 1. Digital RSSI Timing.**

RSSI\_ACQ Input signal rising edge will trigger RSSI sampling, and falling edge will trigger internal digital RSSI information written to I2C. It is recommended that host shall not trigger RSSI\_ACQ input again until RSSI data is valid in I2C from previous RSSI trigger.

**Timing Diagram**



**Figure 2. Timing Diagram**

**Table 7 – EEPROM Content (A0h)**

I <sup>2</sup> C A0h Address					
DEC Addr.	HEX Addr.	Field Size (bytes)	Name	Default Value	Description
0	00	1	Identifier	02h	Module soldered to motherboard
1	01	1	Extended Identifier	04h	Function defined by serial ID
2	02	1	Connector	0Bh (pigtail).	Optical pigtail
3	03	8	Transceiver	00 00 00 00 00 00 00 00h	Transceiver Code Field, not applicable
11	0B	1	Encoding	03h	NRZ encoding
12	0C	1	Nominal Bit Rate in 100 MBps	19h	2488.32 Mbps
13	0D	1	Reserved	00h	Reserved
14	0E	1	Length (9μ,km) in km	14h	20km
15	0F	1	Length (9μ,m) in 100m	C8h	20km
16	10	1	Length (50μ) in 10m	00h	Not Supported
17	11	1	Length (62.5μ) in 10m	00h	Not Supported
18	12	1	Length (Copper) in m	00h	Not Supported
19	13	1	Reserved	00h	Reserved
20	14	16	Vendor Name (ASCII)	"SOURCEPHOTONICS"	Vendor Name (ASCII)
36	24	1	Reserved	00h	Reserved
37	25	3	Vender IEEE Company ID	00 06 B5h	Source Photonics IEEE ID
40	28	16	Vendor Part Number (ASCII)	"SFU4348HCPCDF"	Vendor Part Number (ASCII)
56	38	4	Vendor Rev (ASCII)	31 20 20 20	Revision
60	3C	2	Laser Wavelength in nm	05 D2h	1490nm Tx Wavelength
62	3E	1	Reserved	00h	Reserved
63	3F	1	Check Code for Base ID Fields	xxh	Checksum from byte 0-62
64	40	2	Options	00 1Ch	TX_DIS, TX_Fault, SD
66	42	1	Upper Bit Rate Margin in %	00h	BR, Max not specified
67	43	1	Lower Bit Rate Margin in %	00h	BR, Min not specified
68	44	16	Vendor Serial Number (ASCII)	"xxxxxxxxxxxxxxxx"	16 byte Serial number field (ASCII)
84	54	8	Date Code	xx xx xx xx xx xx 20 20h	Year(2 bytes) month(2 bytes) day(2 bytes)

92	5C	1	Diagnostic Monitoring Type	58h	Ext Calibration, Average Power Measurement
93	5D	1	Enhanced Options	E0h	Optical Alarm/warning implemented Soft TX_DIS, TX_FAULT implemented
94	5E	1	SFF-8472 Compliance	02h	Compliance to SFF-8472 Rev 9.4
95	5F	1	Check Code for Extended ID Fields	xxh	Checksum from byte 64-69
96	60	30	Vendor Specific	"SFU-43-48H-CP-CDF"	SP part number (ASCII)
126	7E	2	Vendor Specific	00 00h	Reserved
128	80	128	Reserved	00...00h	Reserved; return to 0

Note: The "xx" byte should be filled in according to practical case. For more information, please refer to the related document of SFF-8472 Rev 9.5.

**Table 9 – EEPROM Content (A2h)**
**I<sup>2</sup>C A2h Address**

DEC Addr.	HEX Addr.	Field Size (bytes)	Name	Default Value	Description
0	00	2	Temp High Alarm	xx xxh	80C
2	02	2	Temp Low Alarm	xx xxh	-13C
4	04	2	Temp High Warning	xx xxh	75C
6	06	2	Temp Low Warning	xx xxh	-8C
8	08	2	Voltage High Alarm	94 70h	3.8V
10	0A	2	Voltage Low Alarm	6D 60h	2.8V
12	0C	2	Voltage High Warning	8C A0h	3.6V
14	0E	2	Voltage Low Warning	75 30h	3.0V
16	10	2	Bias High Alarm	83 81h	110mA
18	12	2	Bias Low Alarm	02 64h	2mA
20	14	2	Bias High Warning	77 8Ch	100mA
22	16	2	Bias Low Warning	03 96h	3mA
24	18	2	TX Power High Alarm	xx xxh	+7.5 dBm
26	1A	2	TX Power Low Alarm	xx xxh	+2.0dBm
28	1C	2	TX Power High Warning	xx xxh	+7.0dBm
30	1E	2	TX Power Low Warning	xx xxh	+2.5dBm
32	20	2	RX Power High Alarm	FF FFh	No alarm
34	22	2	RX Power Low Alarm	00 00h	No alarm
36	24	2	RX Power High Warning	FF FFh	No alarm
38	26	2	RX Power Low Warning	00 00h	No alarm
40	28	16	Reserved	00...000h	Reserved
56	38	4	RX_PWR(4) Calibration	xx xx xx xxh	4 <sup>th</sup> order RSSI calibration coefficient

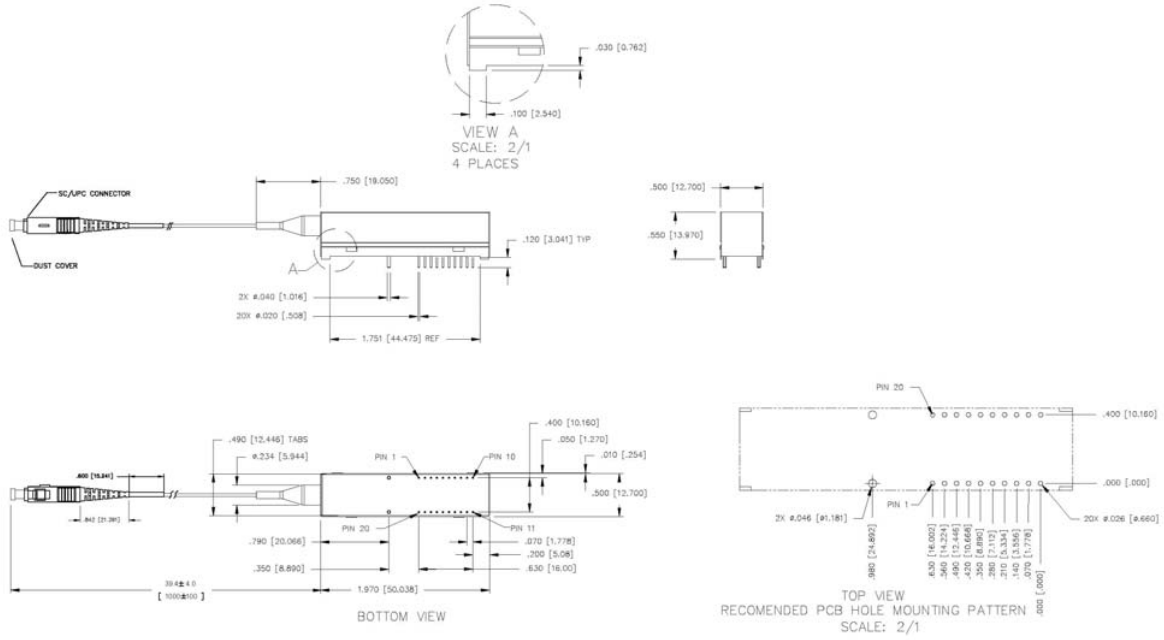


60	3C	4	RX_PWR(3) Calibration	xx xx xx xxh	3 <sup>rd</sup> order RSSI calibration coefficient
64	40	4	RX_PWR(2) Calibration	xx xx xx xxh	2nd order RSSI calibration coefficient
68	44	4	RX_PWR(1) Calibration	xx xx xx xxh	1 <sup>st</sup> order RSSI calibration coefficient
72	48	4	RX_PWR(0) Calibration	xx xx xx xxh	0 <sup>th</sup> order RSSI calibration coefficient
76	4C	2	TX_I(Slope) Calibration	01 A3h	Slope for Bias calibration
78	4E	2	TX_I(Offset) Calibration	00 00h	Offset for Bias calibration
80	50	2	TX_PWR(Slope) Calibration	xx xxh	Slope for TX Power calibration
82	52	2	TX_PWR(Offset) Calibration	xx xxh	Offset for TX Power calibration
84	54	2	T(Slope) Calibration	01 00h	Slope for Temperature calibration
86	56	2	T(Offset) Calibration	xx xxh	Offset for Temperature calibration, in units of 256ths C
88	58	2	V(Slope) Calibration	01 00h	Slope for VCC calibration
90	5A	2	V(Offset) Calibration	00 00h	Offset for VCC calibration
92	5C	3	Reserved	00h	reserved
95	5F	1	Checksum	xxh	Checksum
96	60	2	Transceiver Temperature	xx xxh	Temperature in C/256
98	62	2	Supply Voltage	xx xxh	Vcc
100	64	2	TX Bias Current	xx xxh	BIASMON
102	66	2	TX Optical Output Power	xx xxh	Back facet monitor
104	68	2	RX Optical Input Power	xx xxh	RSSI
106	6A	2	Reserved	0000h	Reserved
108	6C	2	Reserved	0000h	Reserved
110	6E.7	1bit	TX_DIS State	x	Digital state of the TX Disable Input Pin.
	6E.6	1bit	Soft TX Disable	x	Read/write bit that allows software disable of laser.
	6E.5	1bit	Reserved.	0	Reserved.
	6E.4	1bit	Rate Select State	0	NOT SUPPORTED.
	6E.3	1bit	Rate Select	0	NOT SUPPORTED.
	6E.2	1bit	TX_FAULT	x	Digital state of the TX Fault Output Pin.
	6E.1	1bit	LOS	0	Digital state of the LOS Output Pin. NOT SUPPORTED
	6E.0	1bit	Data_ready_bar	x	Indicates transceiver has achieved power up and data is ready.
111	6F.7	1bit	Reserved	0	Reserved
	6F.6	1bit	Reserved	0	Reserved
	6F.5	1bit	Reserved	0	Reserved
	6F.4	1bit	Reserved	0	Reserved

	6F.3	1bit	Reserved	0	Reserved
	6F.2	1bit	INTERRUPT_NOT	x	Interrupt state (active low)
	6F.1	1bit	MODE_EN	0	TX FAULT pin enable
	6F.0	1bit	APD_SHUTDOWN	x	APD shut-down latch. Write 0 to clear condition
112	70.7	1bit	Temperature too high alarm	x	Temperature too high alarm
	70.6	1bit	Temperature too low alarm	x	Temperature too low alarm
	70.5	1bit	VCC too high alarm	x	VCC too high alarm
	70.4	1bit	VCC too low alarm	x	VCC too low alarm
	70.3	1bit	BIASMON too high alarm	x	BIASMON too high alarm
	70.2	1bit	BIASMON too low alarm	x	BIASMON too low alarm
	70.1	1bit	BFMON too high alarm	x	BFMON too high alarm
	70	1bit	BFMON too low alarm	x	BFMON too low alarm
113	71.7	1bit	RSSI too high alarm	x	RSSI too high alarm
	71.6	1bit	RSSI too low alarm	x	RSSI too low alarm
	71.5	1bit	Reserved interrupt status bit	x	Reserved interrupt status bit
	71.4	1bit	Reserved interrupt status bit	x	Reserved interrupt status bit
	71.3	1bit	Reserved interrupt status bit	x	Reserved interrupt status bit
	71.2	1bit	Reserved interrupt status bit	x	Reserved interrupt status bit
	71.1	1bit	Reserved interrupt status bit	x	TX Fail went HIGH
	71	1bit	Reserved interrupt status bit	x	APD Shutdown event detected
114	72	1	Reserved	00h	Interrupt Mask for ISRC0
115	73	1	Reserved	00h	Interrupt Mask for ISRC1
116	74.7	1bit	Temperature too high warning	x	Temperature too high warning
	74.6	1bit	Temperature too low warning	x	Temperature too low warning
	74.5	1bit	VCC too high warning	x	VCC too high warning
	74.4	1bit	VCC too low warning	x	VCC too low warning
	74.3	1bit	BIASMON too high warning	x	BIASMON too high warning
	74.2	1bit	BIASMON too low warning	x	BIASMON too low warning

	74.1	1bit	BFMON too high warning	x	BFMON too high warning
	74	1bit	BFMON too low warning	x	BFMON too low warning
117	75.7	1bit	RX Power High Warning	x	RSSI too high warning
	75.6	1bit	RX Power Low Warning	x	RSSI too low warning
	75.5	1bit	Reserved	0	Reserved
	75.4	1bit	Reserved	0	Reserved
	75.3	1bit	Reserved	0	Reserved
	75.2	1bit	Reserved	0	Reserved
	75.1	1bit	Reserved	0	Reserved
	75	1bit	Reserved	0	Reserved
118	76	1	Reserved	00h	Interrupt Mask for ISRC2
119	77	1	Reserved	00h	Interrupt Mask for ISRC3
120	78	8	Vendor Specific	00 00 00 00 00 00 00 00h	Vendor Specific
128	80	120	User EEPROM	all 00h	User EEPROM
248	F8	1	ER Control	00h	Default 00h
249	F9	1	ALU proprietary ID,MSB	02h	ALU Specific Control Address, 02 for B+, active high SD
250	FA	1	ALU proprietary IDs,LSB	01h	ALU Specific Control Address, 01 for digital RSSI
251	FB	5	Vendor specific	00 00 00 00 00h	Vendor specific

**Mechanical Diagram**



**Figure 3, Mechanical Diagram**

## Warnings

**Handling Precautions:** This device is susceptible to damage as a result of electrostatic discharge (ESD). A static free environment is highly recommended. Follow guidelines according to proper ESD procedures.

**Laser Safety:** Radiation emitted by laser devices can be dangerous to human eyes. Avoid eye exposure to direct or indirect radiation.

## Legal Notice

### IMPORTANT NOTICE!

All information contained in this document is subject to change without notice, at Source Photonics' sole and absolute discretion. Source Photonics warrants performance of its products to current specifications only in accordance with the company's standard one-year warranty; however, specifications designated as "preliminary" are given to describe components only, and Source Photonics expressly disclaims any and all warranties for said products, including express, implied, and statutory warranties, warranties of merchantability, fitness for a particular purpose, and non-infringement of proprietary rights. Please refer to the company's Terms and Conditions of Sale for further warranty information.

Source Photonics assumes no liability for applications assistance, customer product design, software performance, or infringement of patents, services, or intellectual property described herein. No license, either express or implied, is granted under any patent right, copyright, or intellectual property right, and Source Photonics makes no representations or warranties that the product(s) described herein are free from patent, copyright, or intellectual property rights. Products described in this document are NOT intended for use in implantation or other life support applications where malfunction may result in injury or death to persons. Source Photonics customers using or selling products for use in such applications do so at their own risk and agree to fully defend and indemnify Source Photonics for any damages resulting from such use or sale.

THE INFORMATION CONTAINED IN THIS DOCUMENT IS PROVIDED ON AN "AS IS" BASIS. Customer agrees that Source Photonics is not liable for any actual, consequential, exemplary, or other damages arising directly or indirectly from any use of the information contained in this document. Customer must contact Source Photonics to obtain the latest version of this publication to verify, before placing any order, that the information contained herein is current.

## Contact

### U.S.A. Headquarters

20550 Nordhoff Street  
Chatsworth, CA 91311  
USA

Tel: +1-818-773-9044

Fax: +1-818-773-0261

[sales@sourcephotonics.com](mailto:sales@sourcephotonics.com)

### China

Building #2&5, West Export Processing Zone  
No. 8 Kexin Road, Hi-Tech Zone  
Chengdu, 611731, China

Tel: +86-28-8795-8788

Fax: +86-28-8795-8789

[sales@sourcephotonics.com.cn](mailto:sales@sourcephotonics.com.cn)

### Taiwan

9F, No 81, Shui Lee Rd.  
Hsinchu, Taiwan,  
R.O.C.

Tel: +886-3-5169222

Fax: +886-3-5169213

[sales@sourcephotonics.com.tw](mailto:sales@sourcephotonics.com.tw)

© Copyright Source Photonics, Inc. 2007~2011

All rights reserved