

# Hot Swap Controller with I<sup>2</sup>C Compatible Monitoring

## FEATURES

- Allows Safe Insertion into Live Backplane
- 8-Bit ADC Monitors Current and Voltage
- I<sup>2</sup>C/SMBus Interface
- Wide Operating Voltage Range: 2.9V to 15V
- di/dt Controlled Soft-Start
- High Side Drive for External N-Channel MOSFET
- No External Gate Capacitor Required
- Input Overvoltage/Undervoltage Protection
- Optional Latchoff or Auto-Retry After Faults
- Alerts Host After Faults
- Inrush Current Limit with Foldback
- Available in 24-Lead (4mm × 5mm) QFN and 16-Lead Narrow SSOP Packages

## APPLICATIONS

- Live Board Insertion
- Electronic Circuit Breakers
- Computers, Servers
- Platform Management

## DESCRIPTION

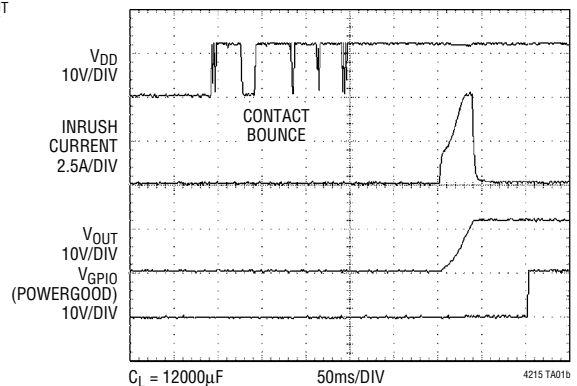
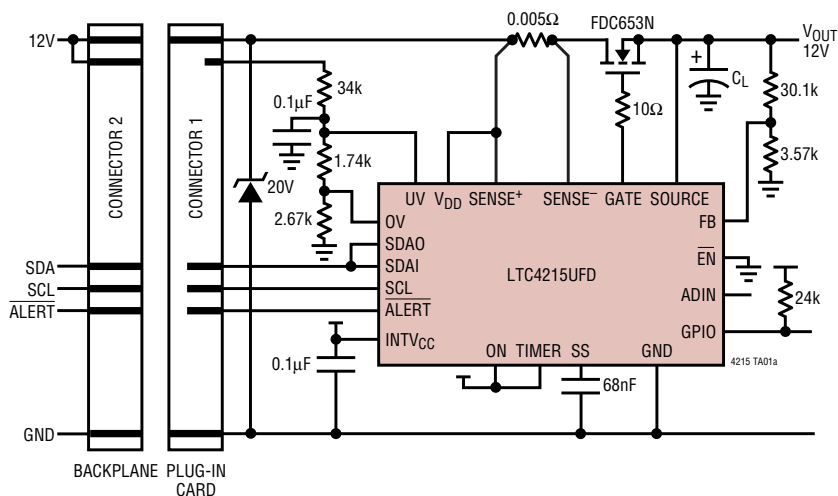
The LTC<sup>®</sup>4215 Hot Swap™ controller allows a board to be safely inserted and removed from a live backplane. Using an external N-channel pass transistor, board supply voltage and inrush current are ramped up at an adjustable rate. An I<sup>2</sup>C interface and onboard ADC allow for monitoring of load current, voltage and fault status.

The device features adjustable foldback current limit and a soft-start pin that sets the di/dt of the inrush current. An I<sup>2</sup>C interface may configure the part to latch off or automatically restart after the LTC4215 detects a current limit fault.

The controller has additional features to interrupt the host when a fault has occurred, notify when output power is good, detect insertion of a load card, and power-up either automatically upon insertion or wait for an I<sup>2</sup>C command to turn on.

LT, LT, LTC and LTM are registered trademarks of Linear Technology Corporation. Hot Swap is a registered trademark of Linear Technology Corporation. All other trademarks are the property of their respective owners.

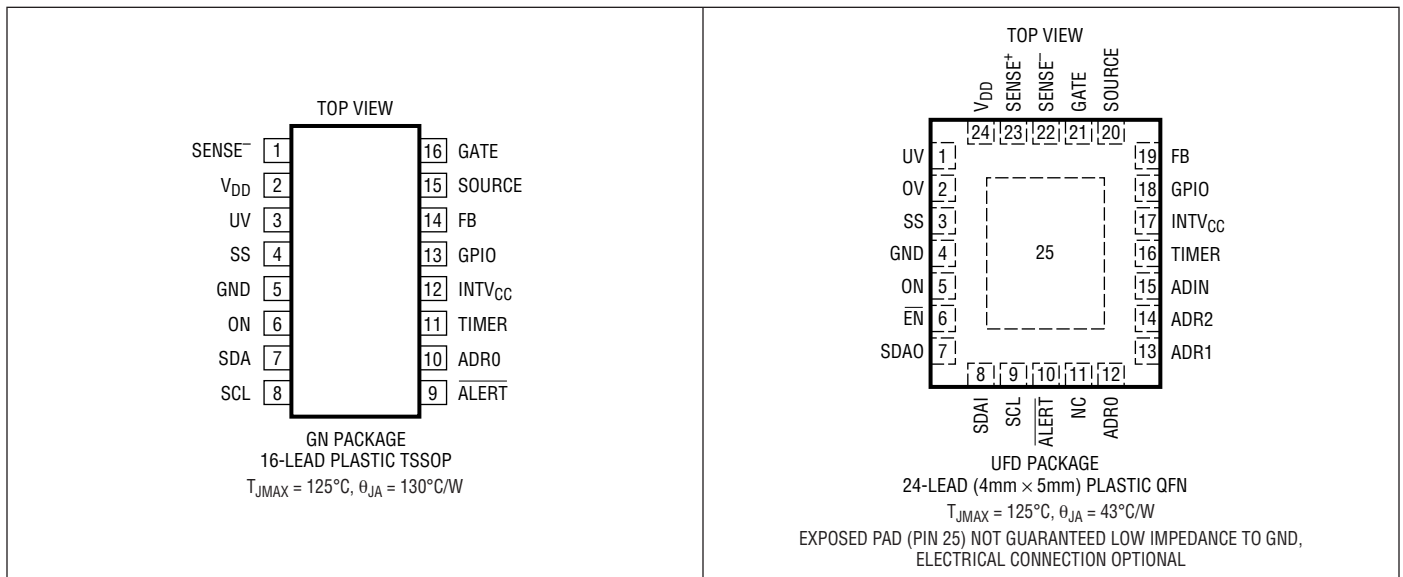
## TYPICAL APPLICATION



## ABSOLUTE MAXIMUM RATINGS (Notes 1, 2)

|   |                                    |                                      |                |
|---|------------------------------------|--------------------------------------|----------------|
| Supply Voltage ( $V_{DD}$ ) .....             | -0.3V to 24V                       | Output Voltages                      |                |
| Supply Voltage ( $INTV_{CC}$ ) .....          | -0.3V to 6.5V                      | GATE, GPIO .....                     | -0.3V to 24V   |
| Input Voltages                                |                                    | Operating Temperature Range          |                |
| GATE-SOURCE (Note 3) .....                    | -0.3V to 5V                        | LTC4215C .....                       | 0°C to 70°C    |
| SENSE <sup>+</sup> , SENSE <sup>-</sup> ..... | $V_{DD} - 0.3V$ to $V_{DD} + 0.3V$ | LTC4215I .....                       | -40°C to 85°C  |
| SOURCE .....                                  | -5V to 24V                         | Storage Temperature Range            |                |
| $\overline{EN}$ , FB, ON, OV, UV .....        | -0.3V to 12V                       | SSOP .....                           | -65°C to 150°C |
| ADR0, ADR1, ADR2, TIMER,                      |                                    | QFN .....                            | -65°C to 125°C |
| ADIN, SS .....                                | -0.3V to $INTV_{CC} + 0.3V$        | Lead Temperature (Soldering, 10 sec) |                |
| ALERT SCL, SDA, SDAI, SDAO .....              | -0.3V to 6.5V                      | SSOP .....                           | 300°C          |

## PACKAGE/ORDER INFORMATION



| ORDER PART NUMBER | GN PART MARKING | ORDER PART NUMBER | UFD PART MARKING* |
|-------------------|-----------------|-------------------|-------------------|
| LTC4215CGN        | 4215            | LTC4215CUFD       | 4215              |
| LTC4215IGN        | 4215I           | LTC4215IUFD       | 4215I             |

**Order Options** Tape and Reel: Add #TR  
Lead Free: Add #PBF Lead Free Tape and Reel: Add #TRPBF  
Lead Free Part Marking: <http://www.linear.com/leadfree/>

\*The temperature grade is identified by a label on the shipping container. Consult LTC Marketing for parts specified with wider operating temperature ranges.

## ELECTRICAL CHARACTERISTICS

The ● denotes the specifications which apply over the full operating temperature range, otherwise specifications are at  $T_A = 25^\circ\text{C}$ .  $V_{DD} = 12\text{V}$  unless otherwise noted.

| SYMBOL                                   | PARAMETER  | CONDITIONS   |             | MIN             | TYP            | MAX            | UNITS          |
|--|--|--|-------------|-----------------|----------------|----------------|----------------|
| <b>Supplies</b>                          |  |  |             |                 |                |                |                |
| $V_{DD}$                                 | Input Supply Range   |  | ●           | 2.9             |                | 15             | V              |
| $V_{OV(VDD)}$                            | Input Supply Overvoltage Threshold                                 |  | ●           | 15              | 15.6           | 16.5           | V              |
| $I_{DD}$                                 | Input Supply Current   |  | ●           |                 | 3              | 5              | mA             |
| $V_{DD(UVL)}$                            | Input Supply Undervoltage Lockout                                  | $V_{DD}$ Rising  | ●           | 2.75            | 2.84           | 2.89           | V              |
| $V_{DD(HYST)}$                           | Input Supply Undervoltage Lockout Hysteresis                       |  | ●           | 75              | 100            | 125            | mV             |
| $INTV_{CC}$                              | Internal Regulator Voltage   | $V_{DD} \geq 3.3\text{V}$  | ●           | 2.9             | 3.1            | 3.4            | V              |
| $INTV_{CC(UVL)}$                         | $INTV_{CC}$ Undervoltage Lockout                                   | $INTV_{CC}$ Rising   | ●           | 2.55            | 2.64           | 2.79           | V              |
| $INTV_{CC(HYST)}$                        | $INTV_{CC}$ Undervoltage Lockout Hysteresis                        |  | ●           | 20              | 55             | 75             | mV             |
| <b>Current Limit and Circuit Breaker</b> |  |  |             |                 |                |                |                |
| $\Delta V_{SENSE(TH)}$                   | Circuit Breaker Threshold ( $V_{DD} - V_{SENSE}$ )                 |  | ●           | 22.5            | 25             | 27.5           | mV             |
| $\Delta V_{SENSE}$                       | Current Limit Voltage ( $V_{DD} - V_{SENSE}$ )                     | $V_{FB} = 1.3\text{V}$<br>$V_{FB} = 0\text{V}$<br>Start-Up Timer Expired | ●<br>●<br>● | 22<br>6.5<br>65 | 25<br>10<br>75 | 29<br>13<br>90 | mV<br>mV<br>mV |
| $t_{D(OC)}$                              | OC Fault Filter  | $\Delta V_{SENSE} = 50\text{mV}$   | ●           | 15              | 20             | 30             | $\mu\text{s}$  |
| $I_{SENSE(IN)}$                          | SENSE Pin Input Current  | $V_{SENSE} = 12\text{V}$   | ●           | 10              | 20             | 35             | $\mu\text{A}$  |
| <b>Gate Drive</b>                        |  |  |             |                 |                |                |                |
| $\Delta V_{GATE}$                        | External N-Channel Gate Drive ( $V_{GATE} - V_{SOURCE}$ ) (Note 3) | $V_{DD} = 2.9\text{V}$ to $15\text{V}$                                   | ●           | 4.7             | 5.9            | 6.5            | V              |
| $I_{GATE(UP)}$                           | External N-Channel Gate Pull-Up Current                            | Gate On, $V_{GATE} = 0\text{V}$  | ●           | -15             | -20            | -30            | $\mu\text{A}$  |
| $I_{GATE(DN)SLOW}$                       | External N-Channel Gate Pulldown Current                           | Gate Off, $V_{GATE} = 15\text{V}$  | ●           | 0.8             | 1              | 1.6            | mA             |
| $I_{GATE(DN)FAST}$                       | Pulldown Current From GATE to SOURCE During OC/UVLO                | $V_{DD} - SENSE = 100\text{mV}$ , $V_{GS} = 4\text{V}$                   | ●           | 300             | 450            | 700            | mA             |
| $t_{PHL(SENSE)}$                         | ( $V_{DD} - SENSE$ ) High to GATE Low                              | $V_{DD} - SENSE = 100\text{mV}$ , $C_{GS} = 10\text{nF}$                 | ●           |                 | 0.5            | 1              | $\mu\text{s}$  |
| $V_{GS(POWERBAD)}$                       | Gate-Source Voltage for Power Bad Fault                            | $V_{SOURCE} = 2.9\text{V} - 15\text{V}$                                  | ●           | 3.8             | 4.3            | 4.7            | V              |
| <b>Comparator Inputs</b>                 |  |  |             |                 |                |                |                |
| $V_{ON(TH)}$                             | ON Pin Threshold Voltage   | $V_{ON}$ Rising  | ●           | 1.210           | 1.235          | 1.26           | V              |
| $\Delta V_{ON(HYST)}$                    | ON Pin Hysteresis  |  | ●           | 60              | 128            | 180            | mV             |
| $I_{ON(IN)}$                             | ON Pin Input Current   | $V_{ON} = 1.2\text{V}$   | ●           |                 | 0              | $\pm 1$        | $\mu\text{A}$  |
| $V_{\overline{EN}}(TH)$                  | $\overline{EN}$ Input Threshold                                    | $V_{\overline{EN}} = \text{Rising}$                                      | ●           | 1.215           | 1.235          | 1.255          | V              |
| $\Delta V_{\overline{EN}}(HYST)$         | $\overline{EN}$ Hysteresis   |  | ●           | 50              | 128            | 200            | mV             |
| $I_{\overline{EN}}$                      | $\overline{EN}$ Pin Input Current                                  | $\overline{EN} = 3.5\text{V}$  | ●           |                 | 0              | $\pm 1$        | $\mu\text{A}$  |
| $V_{OV(TH)}$                             | OV Pin Threshold Voltage   | $V_{OV}$ Rising  | ●           | 1.215           | 1.235          | 1.255          | V              |
| $\Delta V_{OV(HYST)}$                    | OV Pin Hysteresis  |  | ●           | 10              | 30             | 40             | mV             |
| $I_{OV(IN)}$                             | OV Pin Input Current   | $V_{OV} = 1.8\text{V}$   | ●           |                 | 0              | $\pm 1$        | $\mu\text{A}$  |
| $V_{UV(TH)}$                             | UV Pin Threshold Voltage   | $V_{UV}$ Rising  | ●           | 1.215           | 1.235          | 1.255          | V              |
| $\Delta V_{UV(HYST)}$                    | UV Pin Hysteresis  |  | ●           | 60              | 80             | 100            | mV             |
| $I_{UV(IN)}$                             | UV Pin Input Current   | $V_{UV} = 1.8\text{V}$   | ●           |                 | 0              | $\pm 1$        | $\mu\text{A}$  |
| $V_{UV(RTH)}$                            | UV Pin Reset Threshold Voltage                                     | $V_{UV}$ Falling   | ●           | 0.33            | 0.4            | 0.47           | V              |
| $\Delta V_{UV(RHYST)}$                   | UV Pin Reset Threshold Hysteresis                                  |  | ●           | 60              | 125            | 210            | mV             |
| $V_{FB}$                                 | Foldback Pin Power Good Threshold                                  | FB Rising  | ●           | 1.215           | 1.235          | 1.255          | V              |

**ELECTRICAL CHARACTERISTICS** The ● denotes the specifications which apply over the full operating temperature range, otherwise specifications are at  $T_A = 25^\circ\text{C}$ .  $V_{DD} = 12\text{V}$  unless otherwise noted.

| SYMBOL                | PARAMETER                    | CONDITIONS        |   | MIN | TYP | MAX     | UNITS         |
|-----------------------|------------------------------|-------------------|---|-----|-----|---------|---------------|
| $\Delta V_{FB(HYST)}$ | FB Pin Power Good Hysteresis |                   | ● | 3   | 8   | 15      | mV            |
| $I_{FB}$              | Foldback Pin Input Current   | FB = 1.8V         | ● |     | 0   | $\pm 1$ | $\mu\text{A}$ |
| $V_{GPIO(TH)}$        | GPIO Pin Input Threshold     | $V_{GPIO}$ Rising | ● | 0.8 | 1   | 1.2     | V             |

**Other Pin Functions**

|                      |   |  |             |              |                |               |                                |
|----------------------|---|--|-------------|--------------|----------------|---------------|--------------------------------|
| $V_{GPIO(OL)}$       | GPIO Pin Output Low Voltage   | $I_{GPIO} = 5\text{mA}$  | ●           |              | 0.25           | 0.5           | V                              |
| $I_{GPIO(OH)}$       | GPIO Pin Input Leakage Current  | $V_{GPIO} = 15\text{V}$  | ●           |              | 0              | $\pm 1$       | $\mu\text{A}$                  |
| $I_{SOURCE}$         | SOURCE Pin Input Current  | SOURCE = 15V   | ●           | 40           | 80             | 120           | $\mu\text{A}$                  |
| $t_P(\text{GATE})$   | Input (ON, OV, UV, $\overline{\text{EN}}$ ) to GATE Off Propagation Delay |  | ●           |              | 3              | 5             | $\mu\text{s}$                  |
| $t_D(\text{GATE})$   | Turn-On Delay   | ON<br>UV, OV, $\overline{\text{EN}}$<br>Overcurrent Auto-Retry | ●<br>●<br>● |              | 1<br>50<br>2.5 | 2<br>100<br>5 | $\mu\text{s}$<br>ms<br>s       |
| $V_{TIMERL(TH)}$     | Timer Low Threshold   |  | ●           | 0.17         | 0.2            | 0.23          | V                              |
| $V_{TIMERH(TH)}$     | Timer High Threshold  |  | ●           | 1.2          | 1.235          | 1.26          | V                              |
| $I_{TIMER(UP)}$      | TIMER Pin Pull-Up Current   |  | ●           | -80          | -100           | -120          | $\mu\text{A}$                  |
| $I_{TIMER(DOWN)}$    | TIMER Pin Pulldown Current for OC Auto-Retry                              |  | ●           | 1.4          | 2              | 2.6           | $\mu\text{A}$                  |
| $I_{TIMER(UP/DOWN)}$ | TIMER Current Up/Down Ratio   |  | ●           | 40           | 50             | 60            | $\mu\text{A}$                  |
| $I_{SS}$             | Soft-Start Ramp Pull-Up Current   | Ramping<br>Waiting for GATE to Slew                            | ●<br>●      | -7.5<br>-0.4 | -10<br>-0.7    | -12.5<br>-1.0 | $\mu\text{A}$<br>$\mu\text{A}$ |

**ADC**

|            |  |                                  |   |        |       |           |                  |
|------------|--|----------------------------------|---|--------|-------|-----------|------------------|
|            | Resolution (No Missing Codes)              |                                  | ● | 8      |       |           | Bits             |
|            | Integral Nonlinearity                      | $V_{DD} - \text{SENSE}$ (Note 5) | ● | -2     | 0.5   | 2         | LSB              |
|            |  | SOURCE                           | ● | -1.25  | 0.2   | 1.25      | LSB              |
|            |  | ADIN                             | ● | -1.25  | 0.2   | 1.25      | LSB              |
|            | Offset Error (Note 4)                      | $V_{DD} - \text{SENSE}$          | ● |        |       | $\pm 2.0$ | LSB              |
|            |  | SOURCE                           | ● |        |       | $\pm 1.0$ | LSB              |
|            |  | ADIN                             | ● |        |       | $\pm 1.0$ | LSB              |
|            | Total Unadjusted Error                     | $V_{DD} - \text{SENSE}$          | ● |        |       | $\pm 5.5$ | LSB              |
|            |  | SOURCE                           | ● |        |       | $\pm 5.0$ | LSB              |
|            |  | ADIN                             | ● |        |       | $\pm 5.0$ | LSB              |
|            | Full-Scale Error                           | $V_{DD} - \text{SENSE}$          | ● |        |       | $\pm 5.5$ | LSB              |
|            |  | SOURCE                           | ● |        |       | $\pm 5.0$ | LSB              |
|            |  | ADIN                             | ● |        |       | $\pm 5.0$ | LSB              |
|            | Full-Scale Voltage ( $255 \cdot V_{LSB}$ ) | $V_{DD} - \text{SENSE}$          | ● | 37.625 | 38.45 | 39.275    | mV               |
|            |  | SOURCE                           | ● | 15.14  | 15.44 | 15.74     | V                |
|            |  | ADIN                             | ● | 1.205  | 1.23  | 1.255     | V                |
| $R_{ADIN}$ | ADIN Pin Sampling Resistance               | $V_{ADIN} = 1.28\text{V}$        | ● | 1      | 2     |           | $\text{M}\Omega$ |
| $I_{ADIN}$ | ADIN Pin Input Current                     | $V_{ADIN} = 1.28\text{V}$        | ● |        | 0     | $\pm 0.1$ | $\mu\text{A}$    |
|            | Conversion Rate                            |                                  |   |        | 10    |           | Hz               |

**I<sup>2</sup>C Interface**

|                 |                                     |   |   |                          |                          |                          |               |
|-----------------|-------------------------------------|---|---|--------------------------|--------------------------|--------------------------|---------------|
| $V_{ADR(H)}$    | ADR0, ADR1, ADR2 Input High Voltage |   | ● | $\text{INTV}_{CC} - 0.8$ | $\text{INTV}_{CC} - 0.4$ | $\text{INTV}_{CC} - 0.2$ | V             |
| $I_{ADR(IN,Z)}$ | ADR0, ADR1, ADR2 Hi-Z Input Current | ADR0, ADR1, ADR2 = 0.8V                             | ● |                          |                          | -3                       | $\mu\text{A}$ |
|                 |                                     | ADR0, ADR1, ADR2 = $\text{INTV}_{CC} - 0.8\text{V}$ | ● | 3                        |                          |                          | $\mu\text{A}$ |
| $V_{ADR(L)}$    | ADR0, ADR1, ADR2 Input Low Voltage  |   | ● | 0.2                      | 0.4                      | 0.8                      | V             |
| $I_{ADR(IN)}$   | ADR0, ADR1, ADR2 Input Current      | ADR0, ADR1, ADR2 = 0V, $\text{INTV}_{CC}$           | ● | -80                      |                          | 80                       | $\mu\text{A}$ |

## ELECTRICAL CHARACTERISTICS

The ● denotes the specifications which apply over the full operating temperature range, otherwise specifications are at  $T_A = 25^\circ\text{C}$ .  $V_{DD} = 12\text{V}$  unless otherwise noted.

| SYMBOL                   | PARAMETER                                    | CONDITIONS                              | MIN | TYP | MAX     | UNITS         |   |
|--------------------------|--|---|-----|-----|---------|---------------|---|
| $I_{\text{ALERT}}$       | $\overline{\text{ALERT}}$ Input Current      | $\overline{\text{ALERT}} = 6.5\text{V}$ | ●   |     | $\pm 1$ | $\mu\text{A}$ |   |
| $V_{\text{ALERT(OL)}}$   | $\overline{\text{ALERT}}$ Output Low Voltage | $I_{\text{ALERT}} = 3\text{mA}$         | ●   | 0.2 | 0.4     | V             |   |
| $V_{\text{SDA,SCL(TH)}}$ | SDA, SCL Input Threshold                     |   | ●   | 1.3 | 1.7     | 1.9           | V |
| $I_{\text{SDA,SCL(OH)}}$ | SDA, SCL Input Current                       | SCL, SDA = 6.5V                         | ●   |     | $\pm 1$ | $\mu\text{A}$ |   |
| $V_{\text{SDA(OL)}}$     | SDA Output Low Voltage                       | $I_{\text{SDA}} = 3\text{mA}$           | ●   | 0.2 | 0.4     | V             |   |

### I<sup>2</sup>C Interface Timing

| SYMBOL                   | PARAMETER                                  | CONDITIONS  | MIN | TYP  | MAX  | UNITS         |    |
|--------------------------|--|---|-----|------|------|---------------|----|
| $f_{\text{SCL(MAX)}}$    | SCL Clock Frequency                        | Operates with $f_{\text{SCL}} \leq f_{\text{SCL(MAX)}}$ | ●   | 400  | 1000 | kHz           |    |
| $t_{\text{BUF(MIN)}}$    | Bus Free Time Between Stop/Start Condition |   | ●   | 0.12 | 1.3  | $\mu\text{s}$ |    |
| $t_{\text{HD,STA(MIN)}}$ | Hold Time After (Repeated) Start Condition |   | ●   | 30   | 600  | ns            |    |
| $t_{\text{SU,STA(MIN)}}$ | Repeated Start Condition Set-Up Time       |   | ●   | 30   | 600  | ns            |    |
| $t_{\text{SU,STO(MIN)}}$ | Stop Condition Set-Up Time                 |   | ●   | 140  | 600  | ns            |    |
| $t_{\text{HD,DAT(MIN)}}$ | Data Hold Time (Input)                     |   | ●   | 30   | 100  | ns            |    |
| $t_{\text{HD,DATO}}$     | Data Hold Time (Output)                    |   | ●   | 300  | 500  | 900           | ns |
| $t_{\text{SU,DAT(MIN)}}$ | Data Set-Up Time                           |   | ●   | 30   | 600  | ns            |    |
| $t_{\text{SP}}$          | Suppressed Spike Pulse Width               |   | ●   | 50   | 110  | 250           | ns |
| $C_X$                    | SCL, SDA Input Capacitance                 | SDAI Tied to SDAO                                       | ●   |      | 10   | pF            |    |

**Note 1:** Stresses beyond those listed under Absolute Maximum Ratings may cause permanent damage to the device. Exposure to any Absolute Maximum Rating condition for extended periods may affect device reliability and lifetime.

**Note 2:** All currents into pins are positive; all voltages are referenced to GND unless otherwise specified.

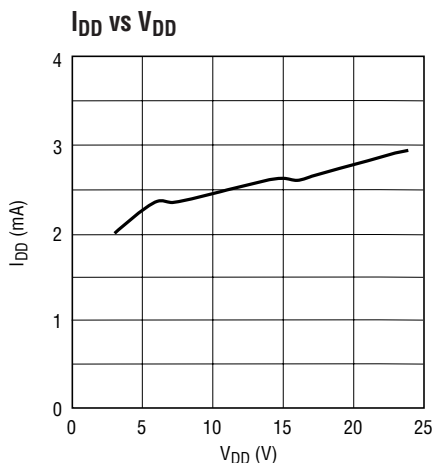
**Note 3:** An internal clamp limits the GATE pin to a minimum of 5V above SOURCE. Driving this pin to voltages beyond the clamp may damage the device.

**Note 4:** Offset error is the offset voltage measured from 1LSB when the output code flickers between 0000 0000 and 0000 0001.

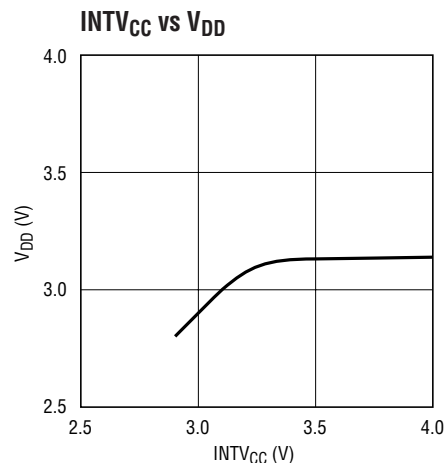
**Note 5:** Integral nonlinearity is defined as the deviation of a code from a precise analog input voltage. Maximum specifications are limited by the LSB step size and the single shot measurement. Typical specifications are measured from the 1/4, 1/2 and 3/4 areas of the quantization band.

## TYPICAL PERFORMANCE CHARACTERISTICS

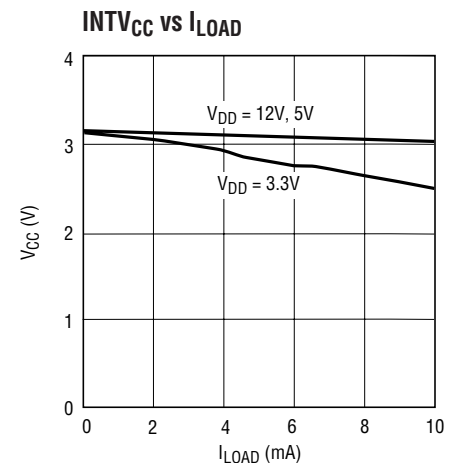
$T_A = 25^\circ\text{C}$ ,  $V_{DD} = 12\text{V}$  unless otherwise noted



4215 G01



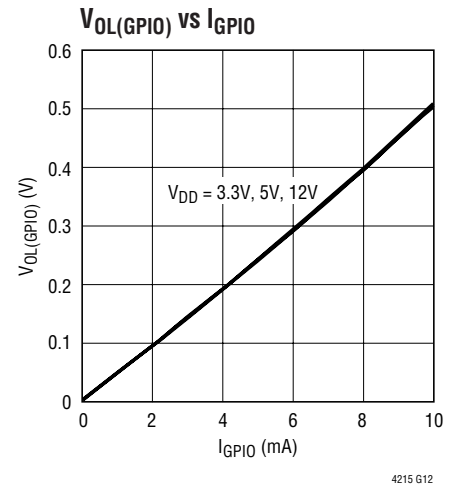
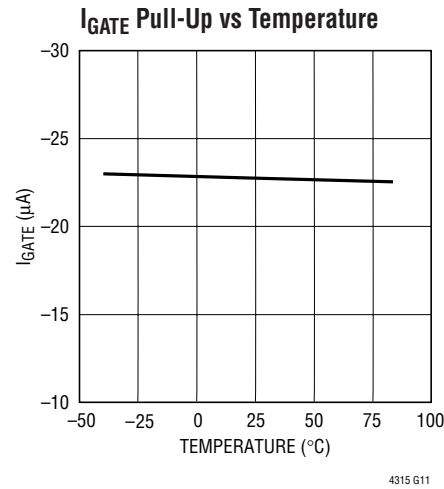
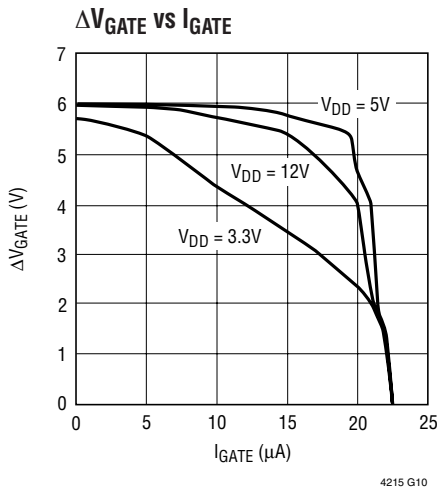
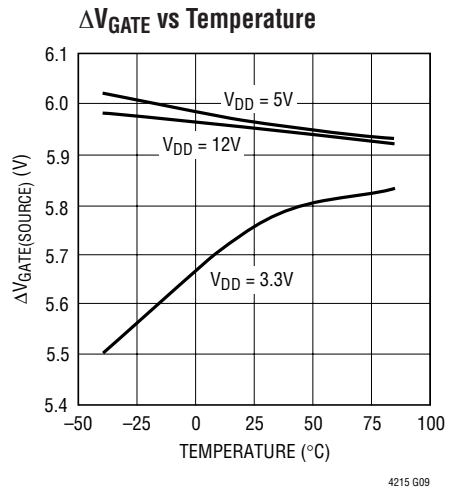
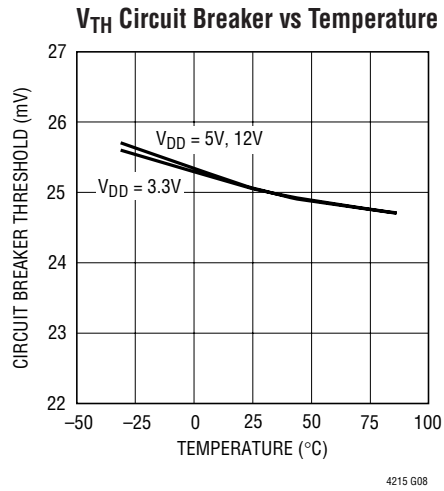
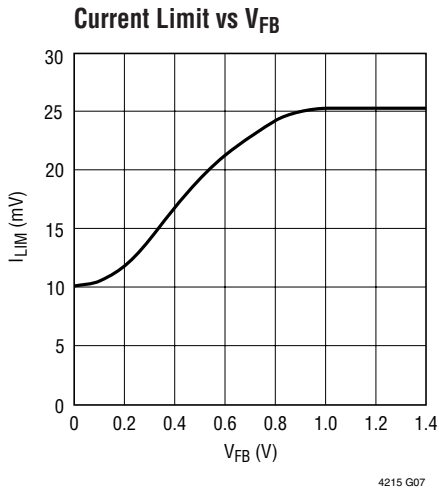
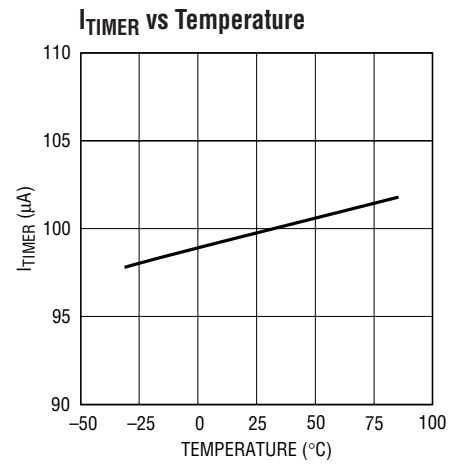
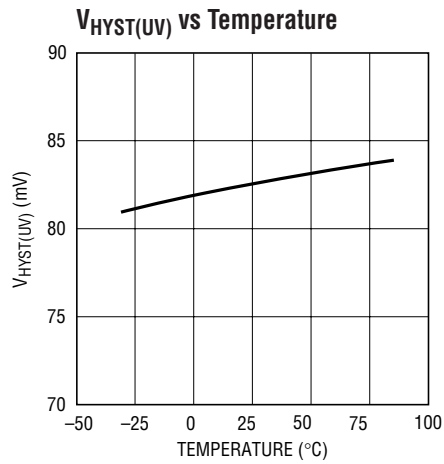
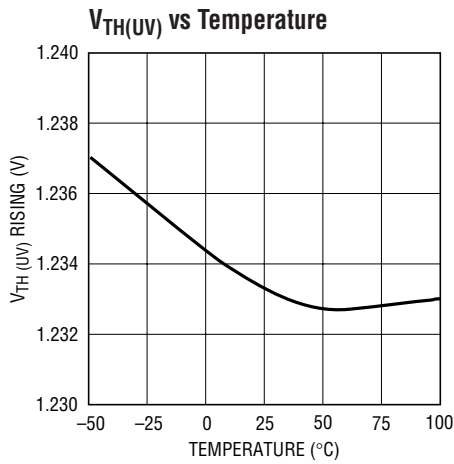
4215 G02



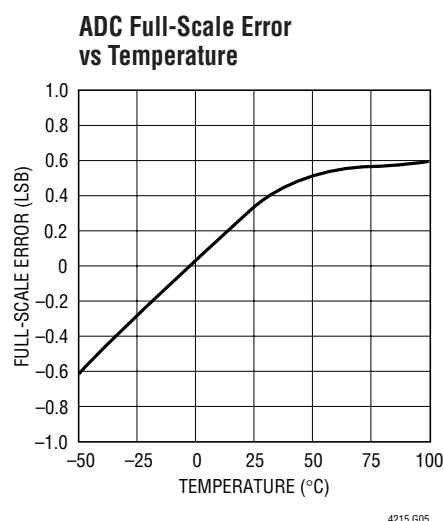
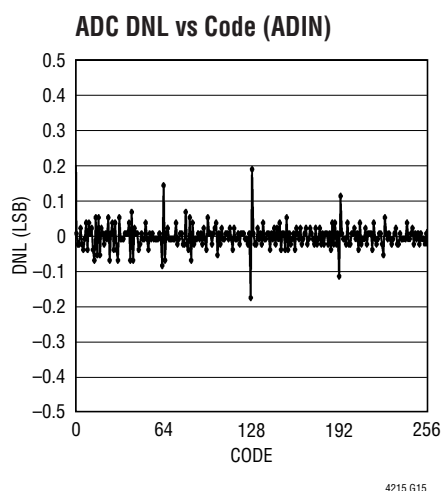
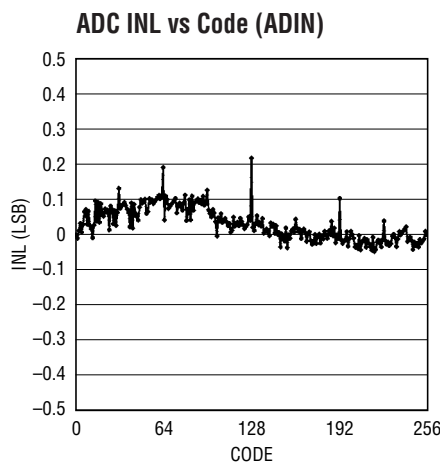
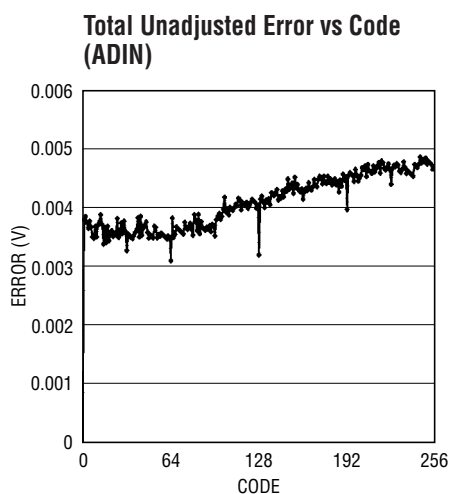
4215 G03

4215fb

**TYPICAL PERFORMANCE CHARACTERISTICS**  $T_A = 25^\circ\text{C}$ ,  $V_{DD} = 12\text{V}$  unless otherwise noted



## TYPICAL PERFORMANCE CHARACTERISTICS $T_A = 25^\circ\text{C}$ , $V_{DD} = 12\text{V}$ unless otherwise noted



## PIN FUNCTIONS

**ADIN (QFN Package):** ADC Input. A voltage between 0V and 1.235V applied to this pin is measured by the onboard ADC. Tie to ground if unused.

**ADR0, ADR1, ADR2 (ADR1, ADR2 Available in QFN Package):** Serial Bus Address Inputs. Tying these pins to ground, to the  $\text{INTV}_{CC}$  pin or open configures one of 27 possible addresses. See Table 1 in Applications Information.

**ALERT:** Fault Alert Output. Open-drain logic output that is pulled to ground when a fault occurs to alert the host controller. A fault alert is enabled by the  $\overline{\text{ALERT}}$

register. See Applications Information. Tie to ground if unused.

**$\overline{\text{EN}}$ :** (QFN package) Enable Input. Ground this pin to indicate a board is present and enable the N-channel MOSFET to turn on. When this pin is high, the MOSFET is not allowed to turn on. An internal 10 $\mu\text{A}$  current source pulls up this pin. Transitions on this pin are recorded in the Fault register. A high-to-low transition activates the logic to read the state of the ON pin and clear Faults. See Applications Information.

## PIN FUNCTIONS

**EXPOSED PAD (Pin 25, QFN Package):** Exposed Pad may be left open or connected to device ground.

**FB:** Foldback Current Limit and Power Good Input. A resistive divider from the output is tied to this pin. When the voltage at this pin drops below 1.235V, power is not considered good. The power bad condition may result in the GPIO pin pulling low or going high impedance depending on the configuration of control register bits A6 and A7. Also a power bad fault is logged in this condition if the LTC4215 has finished the start-up cycle and the GATE pin is high. See Applications Information. The start-up current limit folds back linearly from 25mV sense voltage at 0.6V to 10mV at 0.2V on the FB pin. Foldback is not active once the part leaves start-up and the current limit is increased to 75mV.

**GATE:** Gate Drive for External N-Channel MOSFET. An internal 20 $\mu$ A current source charges the gate of the MOSFET. No compensation capacitor is required on the GATE pin, but a resistor and capacitor network from this pin to ground may be used to set the turn-on output voltage slew rate. During turn-off there is a 1mA pulldown current. During a short circuit or undervoltage lockout ( $V_{DD}$  or INTV<sub>CC</sub>), a 450mA pulldown current source between GATE and SOURCE is activated.

**GND:** Device Ground.

**GPIO:** General Purpose Input/Output. Open-drain logic output or logic input. Defaults to an output set to pull low to indicate power is not good. Configure according to Table 2.

**INTV<sub>CC</sub>:** Low Voltage Supply Decoupling Output. Connect a 0.1 $\mu$ F capacitor from this pin to ground.

**ON:** On Control Input. A rising edge turns on the external N-channel MOSFET and a falling edge turns it off. This pin also configures the state of the FET On bit in the control register (and hence the external MOSFET) at power up. For example, if the ON pin is tied high, then the FET On bit (A3 in Table 2) goes high 100ms after power-up. Likewise if the ON pin is tied low then the part remains off after power-up until the FET On bit is set high using the I<sup>2</sup>C bus. A high-to-low transition on this pin clears the fault register.

**OV (QFN Package):** Overvoltage Comparator Input. Connect this pin to an external resistive divider from  $V_{DD}$ . If the

voltage at this pin rises above 1.235V, an overvoltage fault is detected and the GATE turns off. Tie to GND if unused.

**SCL:** Serial Bus Clock Input. Data at the SDA pin is shifted in or out on rising edges of SCL. This is a high impedance pin that is generally driven by an open-collector output from a master controller. An external pull-up resistor or current source is required.

**SDAO (QFN Package):** Serial Bus Data Output. Open-drain output for sending data back to the master controller or acknowledging a write operation. Normally tied to SDAI to form the SDA line. An external pull-up resistor or current source is required. Internally tied to SDAI in SSOP package.

**SDAI:** Serial Bus Data Input. A high impedance input for shifting in address, command or data bits. Normally tied to SDAO to form the SDA line. Internally tied to SDAO in SSOP package.

**SDA (SSOP Package):** Serial Bus Data Input/Output Line. Formed by internally tying the SDAO and SDAI lines together. An external pull-up resistor or current source is required.

**SENSE<sup>+</sup> (QFN Package):** Positive Current Sense Input. Connect this pin to the input of the current sense resistor. Must be connected to the same trace as  $V_{DD}$ . Internally tied to  $V_{DD}$  in SSOP package.

**SENSE<sup>-</sup>:** Negative Current Sense Input. Connect this pin to the output of the current sense resistor. The current limit circuit controls the GATE pin to limit the sense voltage between the SENSE and  $V_{DD}$  pins to 25mV or less.

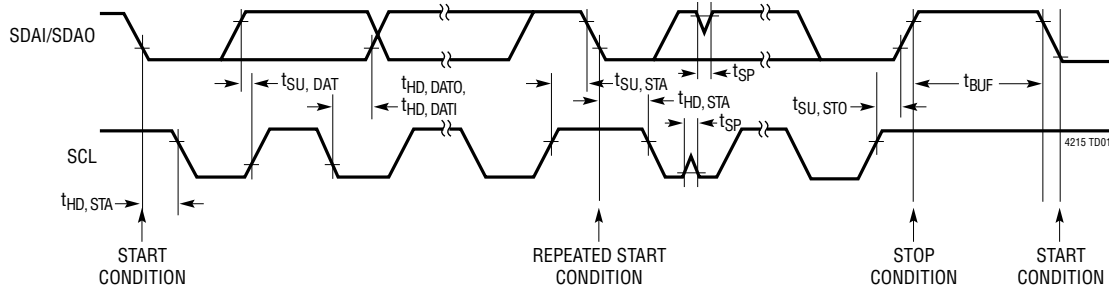
**SOURCE:** N-Channel MOSFET Source and ADC Input. Connect this pin to the source of the external N-channel MOSFET switch for gate drive return. This pin also serves as the ADC input to monitor output voltage. The pin provides a return for the gate pulldown circuit.

**SS:** Sets the inrush current slew rate at start-up. Connect a 68nF capacitor to provide 5mV/ms as the slew rate for the sense voltage in start-up. This corresponds to 1A/ms with a 5m $\Omega$  sense resistor. Note that a large soft-start capacitor and a small TIMER capacitor may result in a condition where the timer expires before the inrush current has started. Allow an additional 10nF of timer capacitance





## TIMING DIAGRAM



## OPERATION

The LTC4215 is designed to turn a board's supply voltage on and off in a controlled manner, allowing the board to be safely inserted or removed from a live backplane. During normal operation, the charge pump and gate driver turn on an external N-channel MOSFET's gate to pass power to the load. The gate driver uses a charge pump that derives its power from the  $V_{DD}$  pin. Also included in the gate driver is an internal 6.5V GATE-to-SOURCE clamp. During start-up the inrush current is tightly controlled by using current limit foldback, soft start  $dI/dt$  limiting and output  $dV/dt$  limiting.

The current sense (CS) amplifier monitors the load current using the difference between the  $SENSE^+$  ( $V_{DD}$  for SSOP) and  $SENSE^-$  pin voltages. The CS amplifier limits the current in the load by pulling back on the GATE-to-SOURCE voltage in an active control loop when the sense voltage exceeds the commanded value. The CS amplifier requires 20 $\mu$ A input bias current from both the  $SENSE^+$  and the  $SENSE^-$  pins.

A short circuit on the output to ground results in excessive power dissipation during active current limiting. To limit this power, the CS amplifier regulates the voltage between the  $SENSE^+$  and  $SENSE^-$  pins at 75mV.

If an overcurrent condition persists, the internal circuit breaker (CB) registers a fault when the sense voltage exceeds 25mV for more than 20 $\mu$ s. This indicates to the logic that it is time to turn off the GATE to prevent overheating. At this point the start-up TIMER pin voltage ramps down using the 2 $\mu$ A current source until the voltage drops below 0.2V (comparator TM1) which tells the logic that the pass transistor has cooled and it is safe to turn it on again if

overcurrent auto-retry is enabled. If the TIMER pin is tied to  $INTV_{CC}$ , the cool-down time defaults to 5 seconds on an internal system timer in the logic.

The output voltage is monitored using the FB pin and the Power Good (PG) comparator to determine if the power is available for the load. The power good condition can be signaled by the GPIO pin using an open-drain pulldown transistor. The GPIO pin may also be configured to signal power bad, or as a general purpose input (GP comparator), or a general purpose open drain output.

The Functional Diagram shows the monitoring blocks of the LTC4215. The group of comparators on the left side includes the undervoltage (UV), overvoltage (OV), reset (RST), enable ( $\overline{EN}$ ) and signal on (ON) comparators. These comparators determine if the external conditions are valid prior to turning on the GATE. But first the two undervoltage lockout circuits, UVLO1 and UVLO2, validate the input supply and the internally generated 3.1V supply,  $INTV_{CC}$ . UVLO2 also generates the power-up initialization to the logic circuits as  $INTV_{CC}$  crosses this rising threshold. If the fixed internal overvoltage comparator, OV2, detects that  $V_{DD}$  is greater than 15.6V, the part immediately generates an overvoltage fault and turns the GATE off.

Included in the LTC4215 is an 8-bit A/D converter. The converter has a 3-input multiplexer to select between the ADIN pin, the SOURCE pin and the  $V_{DD} - SENSE$  voltage.

An I<sup>2</sup>C interface is provided to read the A/D registers. It also allows the host to poll the device and determine if faults have occurred. If the  $\overline{ALERT}$  line is configured as an interrupt, the host is enabled to respond to faults in real time. The typical SDA line is divided into an SDAI (input)

4215fb



## APPLICATIONS INFORMATION

is brought high or if a serial bus turn-on command is sent by setting bit A3.

The MOSFET is turned on by charging up the GATE with a 20 $\mu$ A current source. When the GATE voltage reaches the MOSFET threshold voltage, the MOSFET begins to turn on and the SOURCE voltage then follows the GATE voltage as it increases.

When the MOSFET is turning on, it ramps inrush current up linearly at a  $dI/dt$  rate selected by capacitor  $C_{SS}$ . Once the inrush current reaches the limit set by the FB pin, the  $dI/dt$  ramp stops and the inrush current follows the foldback profile as shown in Figure 2. The TIMER pin integrates at 100 $\mu$ A during start-up and once it reaches its threshold of 1.235V, the part checks to see if it is in current limit, which indicates that it has started up into a short-circuit condition. If this is the case, the overcurrent fault bit, D2 in Table 5, is set and the part turns off. If the part is not in current limit, the 25mV circuit breaker is armed and the current limit is switched to 75mV. Alternately an internal 100ms start-up timer may be selected by tying the TIMER pin to  $INTV_{CC}$ .

As the SOURCE voltage rises, the FB pin follows as set by R7 and R8. Once FB crosses its 1.235V threshold, and the start-up timer has expired, the GPIO pin, in its default configuration, ceases to pull low and indicates that power is now good.

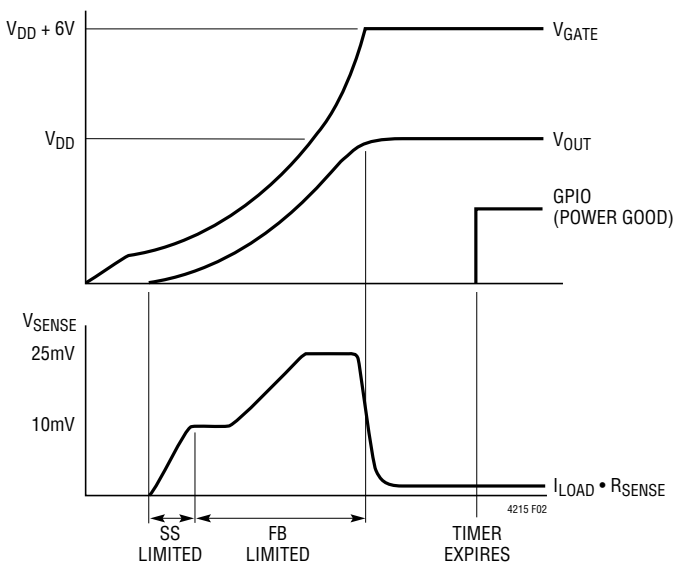


Figure 2. Power-Up Waveforms

If R6 and C1 are employed for a constant current during start-up, which produces a constant  $dV/dt$  at the output, a 20 $\mu$ A pull-up current from the gate pin slews the gate upwards and the part is not in current limit. The start-up TIMER may expire in this condition and an OC fault is not generated even though start-up has not completed. Either the sense voltage increases to the 25mV CB threshold and generates an OC fault, or the FB pin voltage crosses its 1.235V power good threshold and the GPIO pin signals power good.

### GATE Pin Voltage

A curve of GATE-to-SOURCE drive vs  $V_{DD}$  is shown in the Typical Performance Characteristics. At minimum input supply voltage of 2.9V, the minimum GATE-to-SOURCE drive voltage is 5V. The GATE-to-SOURCE voltage is clamped below 6.5V to protect the gates of logic level N-channel MOSFETs.

### Turn-Off Sequence

The GATE is turned off by a variety of conditions. A normal turn-off is initiated by the ON pin going low or a serial bus turn-off command. Additionally, several fault conditions turn off the GATE. These include an input overvoltage (OV pin), input undervoltage (UV pin), overcurrent circuit breaker ( $SENSE^-$  pin), or  $\overline{EN}$  transitioning high. Writing a logic one into the UV, OV or OC fault bits (D0-D2 in Table 5) also latches off the GATE if their auto-retry bits are set to false.

Normally the MOSFET is turned off with a 1mA current pulling down the GATE pin to ground. With the MOSFET turned off, the SOURCE and FB voltages drop as  $C_L$  discharges. When the FB voltage crosses below its threshold, GPIO pulls low to indicate that the output power is no longer good.

If the  $V_{DD}$  pin falls below 2.74V for greater than 2 $\mu$ s or  $INTV_{CC}$  drops below 2.60V for greater than 1 $\mu$ s, a fast shut down of the MOSFET is initiated. The GATE pin is pulled down with a 450mA current to the SOURCE pin.

### Overcurrent Fault

The LTC4215 features an adjustable current limit that protects against short circuits or excessive load current.

4215fb

## APPLICATIONS INFORMATION

An overcurrent fault occurs when the circuit breaker 25mV threshold has been exceeded for longer than the 20 $\mu$ s time-out delay. Current limiting begins immediately when the current sense voltage between the V<sub>DD</sub> and SENSE pins reaches 75mV. The GATE pin is then brought down and regulated in order to limit the current sense voltage to 75mV. When the 20 $\mu$ s circuit breaker time out has expired, the overcurrent present bit C2 is set. The external MOSFET is turned off and the overcurrent fault bit D2 is set at this time.

After the MOSFET is turned off, the TIMER capacitor begins discharging with a 2 $\mu$ A pulldown current. When the TIMER pin reaches its 0.2V threshold the MOSFET is allowed to turn on again if the overcurrent fault has been cleared. However, if the overcurrent auto-retry bit, A2 has been set then the MOSFET turns on again automatically without resetting the overcurrent fault. Use a minimum value of 10nF for C<sub>T</sub>. If the TIMER pin is bypassed by tying it to INTV<sub>CC</sub>, the part is allowed to turn on again after an internal 5 second timer has expired, in the same manner as the TIMER pin passing its 0.2V threshold.

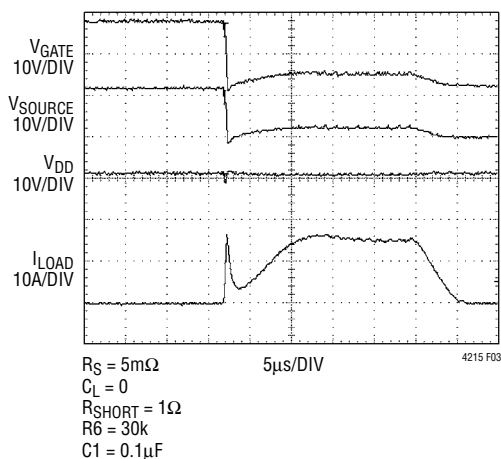


Figure 3. Short-Circuit Waveforms

### Overvoltage Fault

An overvoltage fault occurs when either the OV pin rises above its 1.235V threshold, or the V<sub>DD</sub> pin rises above its 15.6V threshold, for more than 2 $\mu$ s. This shuts off the GATE with a 1mA current to ground and sets the overvoltage present bit C0 and the overvoltage fault bit D0. If the pin subsequently falls back below the threshold for 100ms, the GATE is allowed to turn on again unless overvoltage auto-retry has been disabled by clearing bit A0.

### Undervoltage Fault

An undervoltage fault occurs when the UV pin falls below its 1.235V threshold for more than 2 $\mu$ s. This turns off the GATE with a 1mA current to ground and sets undervoltage present bit C1 and undervoltage fault bit D1. If the UV pin subsequently rises above the threshold for 100ms, the GATE is turned on again unless undervoltage auto-retry has been disabled by clearing bit A1. When power is applied to the device, if UV is below its 1.235V threshold after INTV<sub>CC</sub> crosses its 2.64V undervoltage lockout threshold, an undervoltage fault is logged in the fault register.

### Board Present Change of State

Whenever the  $\overline{\text{EN}}$  pin toggles, bit D4 is set to indicate a change of state. When the  $\overline{\text{EN}}$  pin goes high, indicating board removal, the GATE turns off immediately (with a 1mA current to ground) and clears the board present bit, C4. If the  $\overline{\text{EN}}$  pin is pulled low, indicating a board insertion, all fault bits except D4 are cleared and enable bit, C4, is set. If the  $\overline{\text{EN}}$  pin remains low for 100ms the state of the ON pin is captured in 'FET On' control bit A3. This turns the switch on if the ON pin is tied high. There is an internal 10 $\mu$ A pull-up current source on the  $\overline{\text{EN}}$  pin.

If the system shuts down due to a fault, it may be desirable to restart the system simply by removing and reinserting a load card. In cases where the LTC4215 and the switch reside on a backplane or midplane and the load resides on a plug-in card, the  $\overline{\text{EN}}$  pin detects when the plug-in card is removed. Figure 4 shows an example where the  $\overline{\text{EN}}$  pin is used to detect insertion. Once the plug-in card is reinserted the fault register is cleared (except for D4). After 100ms the state of the ON pin is latched into bit A3 of the control register. At this point the system starts up again.

If a connection sense on the plug-in card is driving the  $\overline{\text{EN}}$  pin, insertion or removal of the card may cause the pin voltage to bounce. This results in clearing the fault register when the card is removed. The pin may be debounced using a filter capacitor, C<sub>EN</sub>, on the  $\overline{\text{EN}}$  pin as shown in Figure 4. The filter time is given by:

$$t_{\text{FILTER}} = C_{\overline{\text{EN}}} \cdot 123 \text{ (ms/}\mu\text{F)}$$

## APPLICATIONS INFORMATION

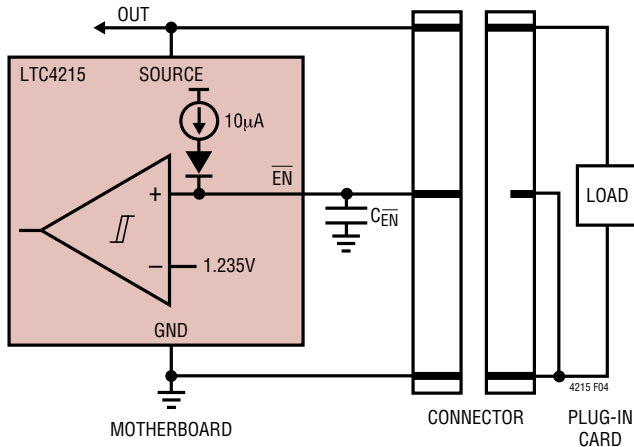


Figure 4. Plug-In Card Insertion/Removal

### FET Short Fault

A FET short fault is reported if the data converter measures a current sense voltage greater than or equal to 1.6mV while the GATE is turned off. This condition sets FET short present bit, C5, and FET short fault bit D5.

### Power Bad Fault

A power bad fault is reported if the FB pin voltage drops below its 1.235V threshold for more than 2µs when the GATE is high. This pulls the GPIO pin low immediately when configured as power-good, and sets power-bad present bit, C3, and power bad fault bit D3. A circuit prevents power-bad faults if the GATE-to-SOURCE voltage is low, eliminating false power-bad faults during power-up or power-down. If the FB pin voltage subsequently rises back above the threshold, the GPIO pin returns to a high impedance state and bit C3 is reset.

### Fault Alerts

When any of the fault bits in FAULT register D are set, an optional bus alert is generated if the appropriate bit in the ALERT register B has been set. This allows only selected faults to generate alerts. At power-up the default state is to not alert on faults. If an alert is enabled, the corresponding fault causes the ALERT pin to pull low. After the bus master controller broadcasts the Alert Response Address, the LTC4215 responds with its address on the SDA line and releases ALERT as shown in Table 6. If there is a collision

between two LTC4215s responding with their addresses simultaneously, then the device with the lower address wins arbitration and responds first. The ALERT line is also released if the device is addressed by the bus master.

Once the ALERT signal has been released for one fault, it is not pulled low again until the FAULT register indicates a different fault has occurred or the original fault is cleared and it occurs again. Note that this means repeated or continuing faults do not generate alerts until the associated FAULT register bit has been cleared.

### Resetting Faults

Faults are reset with any of the following conditions. First, a serial bus command writing zeros to the FAULT register D clears the associated faults. Second, the entire FAULT register is cleared when the switch is turned off by the ON pin or bit A3 going from high to low, if the UV pin is brought below its 0.4V reset threshold for 2µs, or if INTV<sub>CC</sub> falls below its 2.64V undervoltage lockout threshold. Finally, when EN is brought from high to low, only FAULT bits D0-D3 are cleared, and bit D4, that indicates a EN change of state, is set. Note that faults that are still present, as indicated in STATUS Register C, cannot be cleared.

The FAULT register is not cleared when auto-retrying. When auto-retry is disabled the existence of a D0, D1 or D2 fault keeps the switch off. As soon as the fault is cleared, the switch turns on. If auto-retry is enabled, then a high value in C0, C1 or C2 holds the switch off and the fault register is ignored. Subsequently, when bits C0, C1 and C2 are cleared by removal of the fault condition, the switch is allowed to turn on again.

### Data Converter

The LTC4215 incorporates an 8-bit A/D converter that continuously monitors three different voltages. The SOURCE pin has a 1/12.5 resistive divider to monitor a full scale voltage of 15.4V with 60mV resolution. The ADIN pin is monitored with a 1.235V full scale and 4.82mV resolution, and the voltage between the V<sub>DD</sub> and SENSE pins is monitored with a 38.6mV full scale and 151µV resolution.

Results from each conversion are stored in registers E (Sense), F (Source) and G (ADIN), as seen in Tables 6-8,

## APPLICATIONS INFORMATION

and are updated 10 times per second. Setting CONTROL register bit A5 invokes a test mode that halts the data converter so that registers E, F, and G may be written to and read from for software testing.

### Configuring the GPIO Pin

Table 2 describes the possible states of the GPIO pin using the control register bits A6 and A7. At power-up, the default state is for the GPIO pin to go high impedance when power is good (FB pin greater than 1.235V). Other applications for the GPIO pin are to pull down when power is good, a general purpose output and a general purpose input.

### Supply Transients

The LTC4215 is designed to ride through supply transients caused by load steps. If there is a shorted load and the parasitic inductance back to the supply is greater than 0.5μH, there is a chance that the supply collapses before the active current limit circuit brings down the GATE pin. If this occurs, the undervoltage monitors pull the GATE pin low. The undervoltage lockout circuit has a 2μs filter time after V<sub>DD</sub> drops below 2.74V. The UV pin reacts in 2μs to shut the GATE off, but it is recommended to add a filter capacitor C<sub>F</sub> to prevent unwanted shutdown caused by a transient. Eventually either the UV pin or undervoltage lockout responds to bring the current under control before the supply completely collapses.

### Supply Transient Protection

The LTC4215 is safe from damage with supply voltages up to 24V. However, spikes above 24V may damage the part. During a short-circuit condition, large changes in current flowing through power supply traces may cause inductive voltage spikes which exceed 24V. To minimize such spikes, the power trace inductance should be minimized by using wider traces or heavier trace plating. Also, a snubber circuit dampens inductive voltage spikes. Build a snubber by using a 100Ω resistor in series with a 0.1μF capacitor between V<sub>DD</sub> and GND. A surge suppressor, Z1 in Figure 1, at the input can also prevent damage from voltage surges.

### Design Example

As a design example, take the following specifications: V<sub>IN</sub> = 12V, I<sub>MAX</sub> = 5A, I<sub>INRUSH</sub> = 1A, di/dt<sub>INRUSH</sub> = 10A/ms, C<sub>L</sub> = 330μF, V<sub>UV(ON)</sub> = 10.75V, V<sub>OV(OFF)</sub> = 14.0V, V<sub>PWRGD(UP)</sub> = 11.6V, and I<sup>2</sup>C ADDRESS = 1010011. This completed design is shown in Figure 1.

Selection of the sense resistor, R<sub>S</sub>, is set by the overcurrent threshold of 25mV:

$$R_S = \frac{25\text{mV}}{I_{\text{MAX}}} = 0.005\Omega$$

The MOSFET is sized to handle the power dissipation during inrush when output capacitor C<sub>OUT</sub> is being charged. A method to determine power dissipation during inrush is based on the principle that:

$$\text{Energy in } C_L = \text{Energy in } Q1$$

This uses:

$$\text{Energy in } C_L = \frac{1}{2}CV^2 = \frac{1}{2}(0.33\text{mF})(12)^2$$

or 0.024 joules. Calculate the time it takes to charge up C<sub>OUT</sub>:

$$t_{\text{CHARGEUP}} = C_L \cdot \frac{V_{\text{DD}}}{I_{\text{INRUSH}}} = 0.33\text{mF} \cdot \frac{12\text{V}}{1\text{A}} = 4\text{ms}$$

The power dissipated in the MOSFET:

$$P_{\text{DISS}} = \frac{\text{Energy in } C_L}{t_{\text{CHARGEUP}}} = 6\text{W}$$

The SOA (safe operating area) curves of candidate MOSFETs must be evaluated to ensure that the heat capacity of the package tolerates 6W for 4ms. The SOA curves of the Fairchild FDC653N provide for 2A at 12V (24W) for 10ms, satisfying this requirement.

The inrush current is set to 1A using C1:

$$C1 = C_L \cdot \frac{I_{\text{GATE}}}{I_{\text{INRUSH}}}$$

$$C1 = 0.33\text{mF} \cdot \frac{20\mu\text{A}}{1\text{A}} \text{ or } C1 = 6.8\text{nF}$$

## APPLICATIONS INFORMATION

The inrush  $di/dt$  is set to 10A/ms using  $C_{SS}$ :

$$C_{SS} = \frac{I_{SS}}{di/dt \left( \frac{A}{s} \right)} \cdot 0.0375 \cdot \frac{1}{R_{SENSE}}$$

$$= \frac{10\mu A}{10000} \cdot 0.0375 \cdot \frac{1}{5m\Omega} = 7.5nF$$

For a start-up time of 4ms with a 2x safety margin we choose:

$$C_{TIMER} = 2 \cdot \frac{t_{STARTUP}}{12.3ms/\mu F} + C_{SS} \cdot 10$$

$$C_{TIMER} = \frac{8ms}{12.3ms/\mu F} + 7.5nF \cdot 10 \cong 0.68\mu F$$

Note the minimum value of  $C_{TIMER}$  is 10nF, and each 1nF of soft-start capacitance needs 10nF of TIMER capacitance/time during start-up.

Choose R1, R2, R3, R7 and R8 for the UV, OV and PG threshold voltages:

$$V_{OV(RISING)} = 14.0V, V_{OV(FALLING)} = 13.5V \text{ (using } V_{OV(TH)} = 1.235 \text{ rising and } 1.185V \text{ falling)}$$

$$V_{UV(RISING)} = 10.75V, V_{UV(FALLING)} = 10.6V \text{ (using } V_{UV(TH)} = 1.235V \text{ rising and } 1.215V \text{ falling)}$$

$$V_{PG(RISING)} = 11.6V, V_{PG(FALLING)} = 10.85V \text{ (using } V_{FB(TH)} = 1.235V \text{ rising and } 1.155V \text{ falling)}$$

A 0.1 $\mu$ F capacitor,  $C_F$ , is placed on the UV pin to prevent supply glitches from turning off the GATE via UV or OV.

The address is set with the help of Table 1, which indicates binary address 1010011 corresponds to address 19. Address 19 is set by setting ADR2 high, ADR1 open and ADR0 high.

Next the value of R5 and R6 are chosen to be the default values 10 $\Omega$  and 15k as discussed previously.

In addition a 0.1 $\mu$ F ceramic bypass capacitor is placed on the INTV<sub>CC</sub> pin.

### Layout Considerations

To achieve accurate current sensing, a Kelvin connection is required. The minimum trace width for 1oz copper

foil is 0.02" per amp to make sure the trace stays at a reasonable temperature. Using 0.03" per amp or wider is recommended. Note that 1oz copper exhibits a sheet resistance of about 530 $\mu\Omega/\square$ . Small resistances add up quickly in high current applications. To improve noise immunity, put the resistive dividers to the UV, OV and FB pins close to the device and keep traces to V<sub>DD</sub> and GND short. It is also important to put the bypass capacitor for the INTV<sub>CC</sub> pin, C3, as close as possible between INTV<sub>CC</sub> and GND. A 0.1 $\mu$ F capacitor from the UV pin (and OV pin through resistor R2) to GND also helps reject supply noise. Figure 4 shows a layout that addresses these issues. Note that a surge suppressor, Z1, is placed between supply and ground using wide traces.

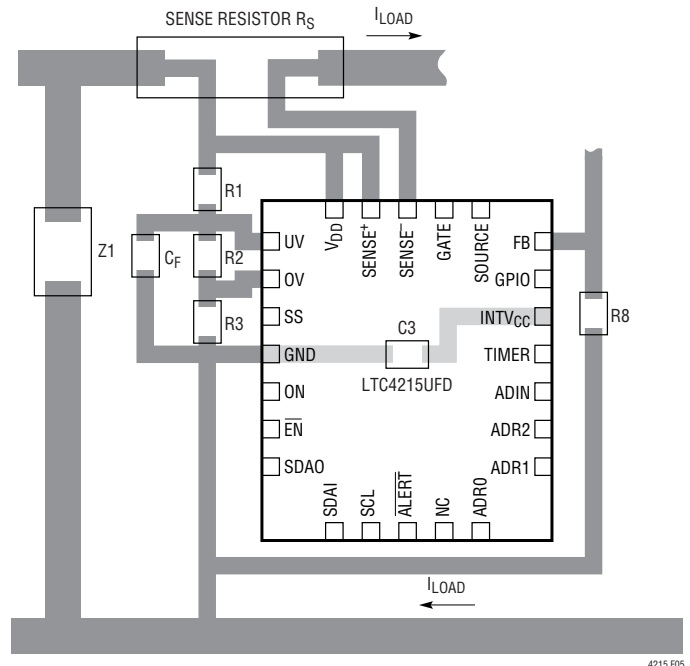


Figure 5. Recommended Layout

### Digital Interface

The LTC4215 communicates with a bus master using a 2-wire interface compatible with I<sup>2</sup>C Bus and SMBus, an I<sup>2</sup>C extension for low power devices.

The LTC4215 is a read-write slave device and supports SMBus bus Read Byte, Write Byte, Read Word and Write Word commands. The second word in a Read Word command is identical to the first word. The second word in a Write Word command is ignored. Data formats for these commands are shown in Figures 6 to 11.



## APPLICATIONS INFORMATION

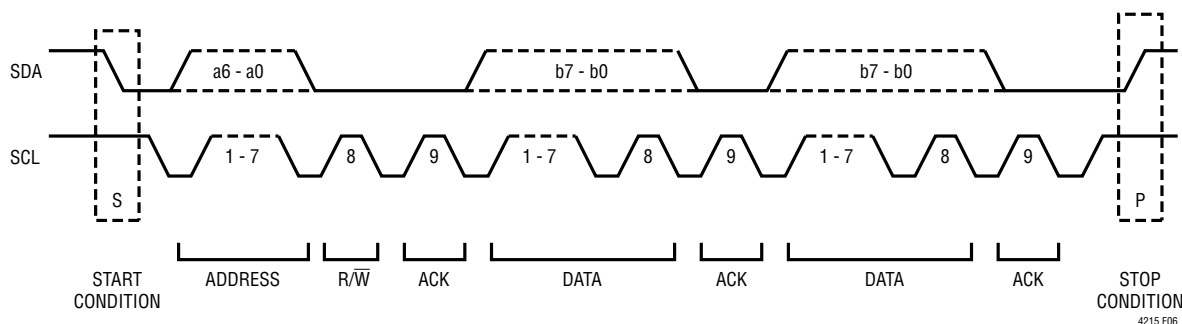


Figure 6. Data Transfer Over I<sup>2</sup>C or SMBus

### START and STOP Conditions

When the bus is idle, both SCL and SDA are high. A bus master signals the beginning of a transmission with a start condition by transitioning SDA from high to low while SCL is high, as shown in Figure 6. When the master has finished communicating with the slave, it issues a STOP condition by transitioning SDA from low to high while SCL is high. The bus is then free for another transmission.

### I<sup>2</sup>C Device Addressing

Twenty-seven distinct bus addresses are available using three 3-state address pins, ADR0-ADR2. Table 1 shows the correspondence between pin states and addresses. Note that address bits B7 and B6 are internally configured to 10. In addition, the LTC4215 responds to two special addresses. Address (1011 111) is a mass write address that writes to all LTC4215s, regardless of their individual address settings. Mass write can be disabled by setting register A4 to zero. Address (0001 100) is the SMBus Alert Response Address. If the LTC4215 is pulling low on the  $\overline{\text{ALERT}}$  pin, it acknowledges this address by broadcasting its address and releasing the  $\overline{\text{ALERT}}$  pin.

### Acknowledge

The acknowledge signal is used in handshaking between transmitter and receiver to indicate that the last byte of data was received. The transmitter always releases the SDA line during the acknowledge clock pulse. When the slave is the receiver, it pulls down the SDA line so that it remains LOW during this pulse to acknowledge receipt of the data. If the slave fails to acknowledge by leaving SDA high, then the master may abort the transmission by generating a STOP condition. When the master is receiving

data from the slave, the master pulls down the SDA line during the clock pulse to indicate receipt of the data. After the last byte has been received the master leaves the SDA line HIGH (not acknowledge) and issues a stop condition to terminate the transmission.

### Write Protocol

The master begins communication with a START condition followed by the seven bit slave address and the  $\overline{\text{R/W}}$  bit set to zero, as shown in Figure 7. The addressed LTC4215 acknowledges this and then the master sends a command byte which indicates which internal register the master wishes to write. The LTC4215 acknowledges this and then latches the lower three bits of the command byte into its internal Register Address pointer. The master then delivers the data byte and the LTC4215 acknowledges once more and latches the data into its control register. The transmission is ended when the master sends a STOP condition. If the master continues sending a second data byte, as in a Write Word command, the second data byte is acknowledged by the LTC4215 but ignored, as shown in Figure 8.

### Read Protocol

The master begins a read operation with a START condition followed by the seven bit slave address and the  $\overline{\text{R/W}}$  bit set to one, as shown in Figure 9. The addressed LTC4215 acknowledges this and then the master sends a command byte which indicates which internal register the master wishes to read. The LTC4215 acknowledges this and then latches the lower three bits of the command byte into its internal Register Address pointer. The master then sends a repeated START condition followed by the

## APPLICATIONS INFORMATION

| S | ADDRESS   | $\bar{W}$ | A | COMMAND         | A | DATA  | A | P |
|---|-----------|-----------|---|-----------------|---|-------|---|---|
|   | 1 0 a4:a0 | 0         | 0 | X X X X X b2:b0 | 0 | b7:b0 | 0 |   |

- FROM MASTER TO SLAVE
  - FROM SLAVE TO MASTER
  - A: ACKNOWLEDGE (LOW)
  - $\bar{A}$ : NOT ACKNOWLEDGE (HIGH)
  - R: READ BIT (HIGH)
  - $\bar{W}$ : WRITE BIT (LOW)
  - S: START CONDITION
  - P: STOP CONDITION
- 4215 F07

Figure 7. LTC4215 Serial Bus SDA Write Byte Protocol

| S | ADDRESS   | $\bar{W}$ | A | COMMAND         | A | DATA  | A | DATA            | A | P |
|---|-----------|-----------|---|-----------------|---|-------|---|-----------------|---|---|
|   | 1 0 a4:a0 | 0         | 0 | X X X X X b2:b0 | 0 | b7:b0 | 0 | X X X X X X X X | 0 |   |

4215 F08

Figure 8. LTC4215 Serial Bus SDA Write Word Protocol

| S | ADDRESS   | $\bar{W}$ | A | COMMAND         | A | S | ADDRESS   | R | A | DATA  | $\bar{A}$ | P |
|---|-----------|-----------|---|-----------------|---|---|-----------|---|---|-------|-----------|---|
|   | 1 0 a4:a0 | 0         | 0 | X X X X X b2:b0 | 0 |   | 1 0 a4:a0 | 1 | 0 | b7:b0 | 1         |   |

4215 F10

Figure 9. LTC4215 Serial Bus SDA Read Byte Protocol

| S | ADDRESS   | $\bar{W}$ | A | COMMAND         | A | S | ADDRESS   | R | A | DATA  | A | DATA  | $\bar{A}$ | P |
|---|-----------|-----------|---|-----------------|---|---|-----------|---|---|-------|---|-------|-----------|---|
|   | 1 0 a4:a0 | 0         | 0 | X X X X X b2:b0 | 0 |   | 1 0 a4:a0 | 1 | 0 | b7:b0 | 0 | b7:b0 | 1         |   |

4215 F11

Figure 10. LTC4215 Serial Bus SDA Read Word Protocol

| S | ALERT<br>RESPONSE<br>ADDRESS | R | A | DEVICE<br>ADDRESS | $\bar{A}$ | P |
|---|------------------------------|---|---|-------------------|-----------|---|
|   | 0 0 0 1 1 0 0                | 1 | 0 | 1 0 a4:a0         | 1         |   |

4215 F11

Figure 11. LTC4215 Serial Bus SDA Alert Response Protocol

same seven bit address with the  $\bar{R}/\bar{W}$  bit now set to one. The LTC4215 acknowledges and send the contents of the requested register. The transmission is ended when the master sends a STOP condition. If the master acknowledges the transmitted data byte, as in a Read Word command, Figure 10, the LTC4215 repeats the requested register as the second data byte.

### Alert Response Protocol

When any of the fault bits in FAULT register D are set, an optional bus alert is generated if the appropriate bit in the ALERT register B is also set. If an alert is enabled, the cor-

responding fault causes the  $\bar{ALERT}$  pin to pull low. After the bus master controller broadcasts the Alert Response Address, the LTC4215 responds with its address on the SDA line and then release  $\bar{ALERT}$  as shown in Figure 11. The  $\bar{ALERT}$  line is also released if the device is addressed by the bus master. The  $\bar{ALERT}$  signal is not pulled low again until the FAULT register indicates a different fault has occurred or the original fault is cleared and it occurs again. Note that this means repeated or continuing faults do not generate alerts until the associated FAULT register bit has been cleared.

## APPLICATIONS INFORMATION

Table 1A. LTC4215 Device Addressing (UH24 Package)

| DESCRIPTION    | DEVICE ADDRESS | DEVICE ADDRESS |   |   |   |   |   |   |   | LTC4215UH ADDRESS PINS |      |      |
|----------------|----------------|----------------|---|---|---|---|---|---|---|------------------------|------|------|
|                |                | 7              | 6 | 5 | 4 | 3 | 2 | 1 | 0 | ADR2                   | ADR1 | ADRO |
| Mass Write     | BE             | 1              | 0 | 1 | 1 | 1 | 1 | 1 | 0 | X                      | X    | X    |
| Alert Response | 19             | 0              | 0 | 0 | 1 | 1 | 0 | 0 | 1 | X                      | X    | X    |
| 0              | 80             | 1              | 0 | 0 | 0 | 0 | 0 | 0 | X | L                      | NC   | L    |
| 1              | 82             | 1              | 0 | 0 | 0 | 0 | 0 | 1 | X | L                      | H    | NC   |
| 2              | 84             | 1              | 0 | 0 | 0 | 0 | 1 | 0 | X | L                      | NC   | NC   |
| 3              | 86             | 1              | 0 | 0 | 0 | 0 | 1 | 1 | X | L                      | NC   | H    |
| 4              | 88             | 1              | 0 | 0 | 0 | 1 | 0 | 0 | X | L                      | L    | L    |
| 5              | 8A             | 1              | 0 | 0 | 0 | 1 | 0 | 1 | X | L                      | H    | H    |
| 6              | 8C             | 1              | 0 | 0 | 0 | 1 | 1 | 0 | X | L                      | L    | NC   |
| 7              | 8E             | 1              | 0 | 0 | 0 | 1 | 1 | 1 | X | L                      | L    | H    |
| 8              | 90             | 1              | 0 | 0 | 1 | 0 | 0 | 0 | X | NC                     | NC   | L    |
| 9              | 92             | 1              | 0 | 0 | 1 | 0 | 0 | 1 | X | NC                     | H    | NC   |
| 10             | 94             | 1              | 0 | 0 | 1 | 0 | 1 | 0 | X | NC                     | NC   | NC   |
| 11             | 96             | 1              | 0 | 0 | 1 | 0 | 1 | 1 | X | NC                     | NC   | H    |
| 12             | 98             | 1              | 0 | 0 | 1 | 1 | 0 | 0 | X | NC                     | L    | L    |
| 13             | 9A             | 1              | 0 | 0 | 1 | 1 | 0 | 1 | X | NC                     | H    | H    |
| 14             | 9C             | 1              | 0 | 0 | 1 | 1 | 1 | 0 | X | NC                     | L    | NC   |
| 15             | 9E             | 1              | 0 | 0 | 1 | 1 | 1 | 1 | X | NC                     | L    | H    |
| 16             | A0             | 1              | 0 | 1 | 0 | 0 | 0 | 0 | X | H                      | NC   | L    |
| 17             | A2             | 1              | 0 | 1 | 0 | 0 | 0 | 1 | X | H                      | H    | NC   |
| 18             | A4             | 1              | 0 | 1 | 0 | 0 | 1 | 0 | X | H                      | NC   | NC   |
| 19             | A6             | 1              | 0 | 1 | 0 | 0 | 1 | 1 | X | H                      | NC   | H    |
| 20             | A8             | 1              | 0 | 1 | 0 | 1 | 0 | 0 | X | H                      | L    | L    |
| 21             | AA             | 1              | 0 | 1 | 0 | 1 | 0 | 1 | X | H                      | H    | H    |
| 22             | AC             | 1              | 0 | 1 | 0 | 1 | 1 | 0 | X | H                      | L    | NC   |
| 23             | AE             | 1              | 0 | 1 | 0 | 1 | 1 | 1 | X | H                      | L    | H    |
| 24             | B0             | 1              | 0 | 1 | 1 | 0 | 0 | 0 | X | L                      | H    | L    |
| 25             | B2             | 1              | 0 | 1 | 1 | 0 | 0 | 1 | X | NC                     | H    | L    |
| 26             | B4             | 1              | 0 | 1 | 1 | 0 | 1 | 0 | X | H                      | H    | L    |

Table 1B. LTC4215 Device Addressing (GN16 Package)

| DESCRIPTION    | DEVICE ADDRESS | DEVICE ADDRESS |   |   |   |   |   |   |   | LTC4215GN ADDRESS PINS |      |      |
|----------------|----------------|----------------|---|---|---|---|---|---|---|------------------------|------|------|
|                |                | 7              | 6 | 5 | 4 | 3 | 2 | 1 | 0 | ADR2                   | ADR1 | ADRO |
| Mass Write     | BE             | 1              | 0 | 1 | 1 | 1 | 1 | 1 | 0 | X                      | X    | X    |
| Alert Response | 19             | 0              | 0 | 0 | 1 | 1 | 0 | 0 | 1 | X                      | X    | X    |
| 0              | 90             | 1              | 0 | 0 | 1 | 0 | 0 | 0 | X | NC                     | NC   | L    |
| 1              | 94             | 1              | 0 | 0 | 1 | 0 | 1 | 0 | X | NC                     | NC   | NC   |
| 2              | 96             | 1              | 0 | 0 | 1 | 0 | 1 | 1 | X | NC                     | NC   | H    |

## APPLICATIONS INFORMATION

**Table 2. CONTROL Register A (00h)—Read/Write**

| BIT                   | NAME                    | OPERATION  |           |    |                        |          |                      |   |   |                        |                                |   |   |           |                        |   |   |           |                       |   |   |           |
|-----------------------|-------------------------|--|-----------|----|------------------------|----------|----------------------|---|---|------------------------|--------------------------------|---|---|-----------|------------------------|---|---|-----------|-----------------------|---|---|-----------|
| A7:6                  | GPIO Configure          | <table border="1"> <thead> <tr> <th>FUNCTION</th> <th>A6</th> <th>A7</th> <th>GPIO PIN</th> </tr> </thead> <tbody> <tr> <td>Power Good (Default)</td> <td>0</td> <td>0</td> <td>GPIO = <math>\overline{C3}</math></td> </tr> <tr> <td><math>\overline{\text{Power Good}}</math></td> <td>0</td> <td>1</td> <td>GPIO = C3</td> </tr> <tr> <td>General Purpose Output</td> <td>1</td> <td>0</td> <td>GPIO = B6</td> </tr> <tr> <td>General Purpose Input</td> <td>1</td> <td>1</td> <td>C6 = GPIO</td> </tr> </tbody> </table> | FUNCTION  | A6 | A7                     | GPIO PIN | Power Good (Default) | 0 | 0 | GPIO = $\overline{C3}$ | $\overline{\text{Power Good}}$ | 0 | 1 | GPIO = C3 | General Purpose Output | 1 | 0 | GPIO = B6 | General Purpose Input | 1 | 1 | C6 = GPIO |
|                       |                         | FUNCTION   | A6        | A7 | GPIO PIN               |          |                      |   |   |                        |                                |   |   |           |                        |   |   |           |                       |   |   |           |
|                       |                         | Power Good (Default)   | 0         | 0  | GPIO = $\overline{C3}$ |          |                      |   |   |                        |                                |   |   |           |                        |   |   |           |                       |   |   |           |
|                       |                         | $\overline{\text{Power Good}}$   | 0         | 1  | GPIO = C3              |          |                      |   |   |                        |                                |   |   |           |                        |   |   |           |                       |   |   |           |
|                       |                         | General Purpose Output   | 1         | 0  | GPIO = B6              |          |                      |   |   |                        |                                |   |   |           |                        |   |   |           |                       |   |   |           |
| General Purpose Input | 1                       | 1  | C6 = GPIO |    |                        |          |                      |   |   |                        |                                |   |   |           |                        |   |   |           |                       |   |   |           |
| A5                    | Test Mode Enable        | Enables Test Mode to Disable the ADC; 1 = ADC Disable, 0 = ADC Enable (Default)  |           |    |                        |          |                      |   |   |                        |                                |   |   |           |                        |   |   |           |                       |   |   |           |
| A4                    | Mass Write Enable       | Allows Mass Write Addressing; 1 = Mass Write Enabled, 0 = Mass Write Disabled (Default)  |           |    |                        |          |                      |   |   |                        |                                |   |   |           |                        |   |   |           |                       |   |   |           |
| A3                    | FET On Control          | On Control Bit Latches the State of the ON Pin at the End of the Debounce Delay; 1 = FET On, 0 = FET Off   |           |    |                        |          |                      |   |   |                        |                                |   |   |           |                        |   |   |           |                       |   |   |           |
| A2                    | Overcurrent Auto-Retry  | Overcurrent Auto-Retry Bit; 1 = Auto-Retry After Overcurrent, 0 = Latch Off After Overcurrent (Default)  |           |    |                        |          |                      |   |   |                        |                                |   |   |           |                        |   |   |           |                       |   |   |           |
| A1                    | Undervoltage Auto-Retry | Undervoltage Auto-Retry; 1 = Auto-Retry After Undervoltage (Default), 0 = Latch Off After Undervoltage   |           |    |                        |          |                      |   |   |                        |                                |   |   |           |                        |   |   |           |                       |   |   |           |
| A0                    | Overvoltage Auto-Retry  | Overvoltage Auto-Retry; 1 = Auto-Retry After Overvoltage (Default), 0 = Latch Off After Overvoltage  |           |    |                        |          |                      |   |   |                        |                                |   |   |           |                        |   |   |           |                       |   |   |           |

**Table 3. ALERT Register B (01h)—Read/Write**

| BIT | NAME                                      | OPERATION  |
|-----|---|--|
| B7  | Reserved                                  | Not Used   |
| B6  | GPIO Output                               | Output Data Bit to GPIO Pin when Configured as Output. Defaults to 0                                 |
| B5  | FET Short Alert                           | Enables Alert for FET Short Condition; 1 = Enable Alert, 0 = Disable Alert (Default)                 |
| B4  | $\overline{\text{EN}}$ State Change Alert | Enables Alert when $\overline{\text{EN}}$ Changes State; 1 = Enable Alert, 0 Disable Alert (Default) |
| B3  | Power Bad Alert                           | Enables Alert when Output Power is Bad; 1 = Enable Alert, 0 Disable Alert (Default)                  |
| B2  | Overcurrent Alert                         | Enables Alert for Overcurrent Condition; 1 = Enable Alert, 0 Disable Alert (Default)                 |
| B1  | Undervoltage Alert                        | Enables Alert for Undervoltage Condition; 1 = Enable Alert, 0 Disable Alert (Default)                |
| B0  | Overvoltage Alert                         | Enables Alert for Overvoltage Condition; 1 = Enable Alert, 0 Disable Alert (Default)                 |

## APPLICATIONS INFORMATION

**Table 4. STATUS Register C (02h)—Read**

| BIT | NAME                   | OPERATION   |
|-----|------------------------|---|
| C7  | FET On                 | 1 = FET On, 0 = FET Off   |
| C6  | GPIO Input             | State of the GPIO Pin; 1 = GPIO High, 0 = GPIO Low  |
| C5  | FET Short Present      | Indicates Potential FET Short if Current Sense Voltage Exceeds 1mV While FET is Off; 1 = FET is Shorted, 0 = FET is Not Shorted                 |
| C4  | $\overline{\text{EN}}$ | Indicates if the LTC4215 is enabled when $\overline{\text{EN}}$ is low; 1 = $\overline{\text{EN}}$ Pin Low, 0 = $\overline{\text{EN}}$ Pin High |
| C3  | Power Bad              | Indicates Power is Bad when FB is low; 1 = FB Low, 0 = FB High  |
| C2  | Overcurrent            | Indicates Overcurrent Condition During Cool Down Cycle; 1 = Overcurrent, 0 = Not Overcurrent  |
| C1  | Undervoltage           | Indicates Input Undervoltage when UV is Low; 1 = UV Low, 0 = UV High  |
| C0  | Overvoltage            | Indicates $V_{\text{DD}}$ or OV Input Overvoltage when OV is High; 1 = OV High, 0 = OV Low  |

**Table 5. FAULT Register D (03h)—Read/Write**

| BIT  | NAME                                 | OPERATION  |
|------|--------------------------------------|--|
| D7:6 | Reserved                             |  |
| D5   | FET Short Fault Occurred             | Indicates Potential FET Short was Detected when Measured Current Sense Voltage Exceeded 1mV While FET was Off; 1 = FET is Shorted, 0 = FET is Good                           |
| D4   | $\overline{\text{EN}}$ Changed State | Indicates That the LTC4215 was Enabled or Disabled when $\overline{\text{EN}}$ Changed State; 1 = $\overline{\text{EN}}$ Changed State, 0 = $\overline{\text{EN}}$ Unchanged |
| D3   | Power Bad Fault Occurred             | Indicates Power was Bad when FB when Low; 1 = FB was Low, 0 = FB was High  |
| D2   | Overcurrent Fault Occurred           | Indicates Overcurrent Fault Occurred; 1 = Overcurrent Fault Occurred, 0 = Not Overcurrent Faults   |
| D1   | Undervoltage Fault Occurred          | Indicates Input Undervoltage Fault Occurred when UV went Low; 1 = UV was Low, 0 = UV was High  |
| D0   | Overvoltage Fault Occurred           | Indicates Input Overvoltage Fault Occurred when OV went High; 1 = OV was High, 0 = OV was Low  |

**Table 6. SENSE Register E (04h)—Read/Write**

| BIT  | NAME                      | OPERATION   |
|------|---------------------------|---|
| E7:0 | SENSE Voltage Measurement | Sense Voltage Data. 8-Bit Data with 151 $\mu\text{V}$ LSB and 38.45mV Full Scale. |

**Table 7. SOURCE Register F (05h)—Read/Write**

| BIT  | NAME                       | OPERATION  |
|------|----------------------------|--|
| F7:0 | SOURCE Voltage Measurement | Source Voltage Data. 8-Bit Data with 60.5mV LSB and 15.44V Full Scale. |

**Table 8. ADIN Register G (06h)—Read/Write\***

| BIT  | NAME                     | OPERATION   |
|------|--------------------------|---|
| G7:0 | ADIN Voltage Measurement | ADIN Voltage Data. 8-Bit Data with 4.82mV LSB and 1.23V Full Scale. |

\*The ADIN pin is not available in the GN16 package.

## TYPICAL APPLICATIONS

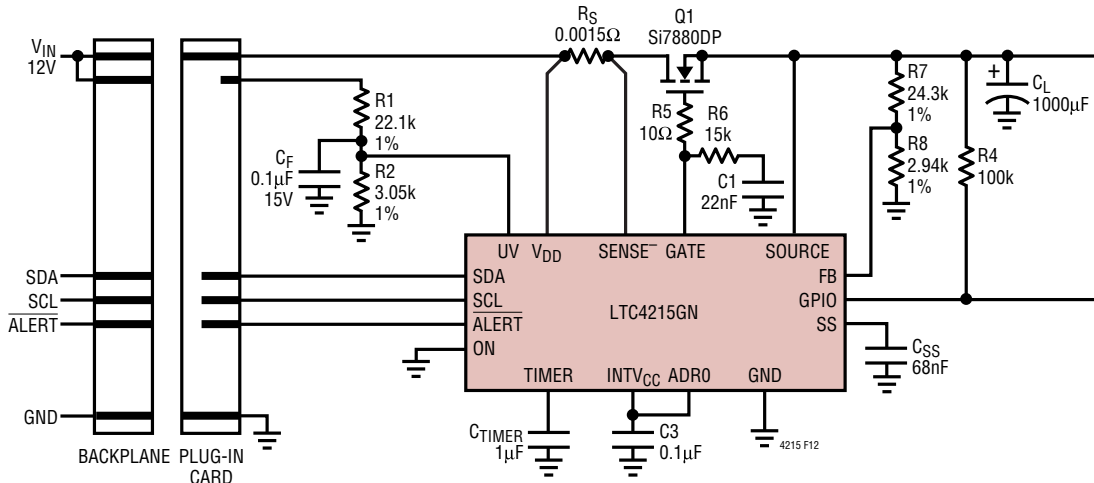


Figure 12. 12V, 12A Card Resident Application

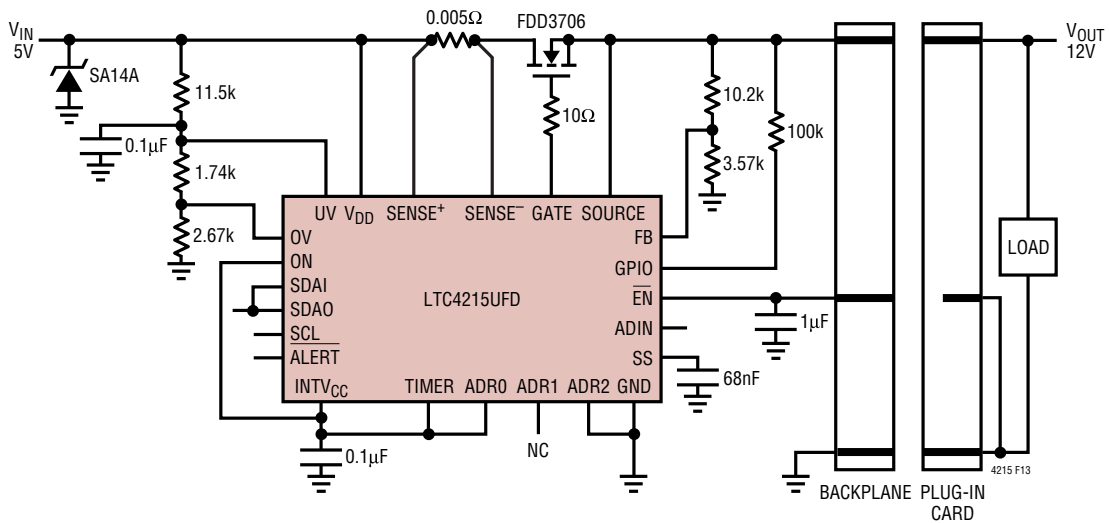
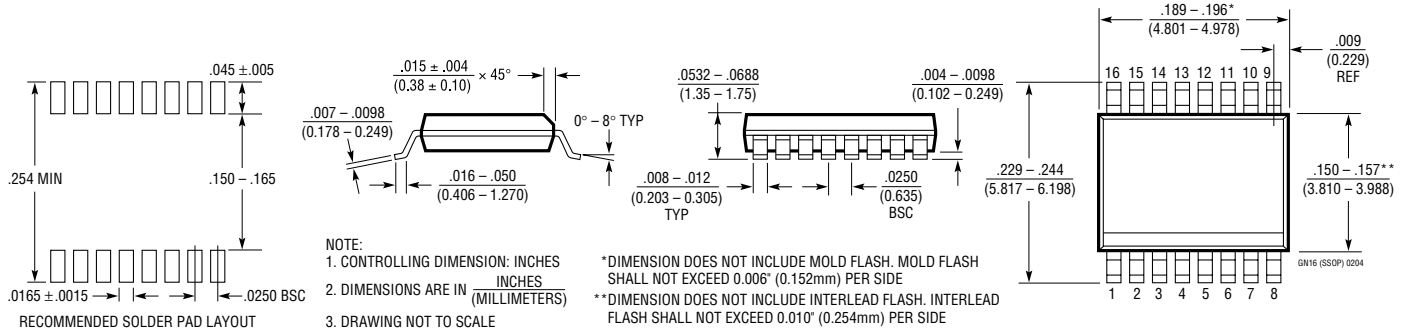


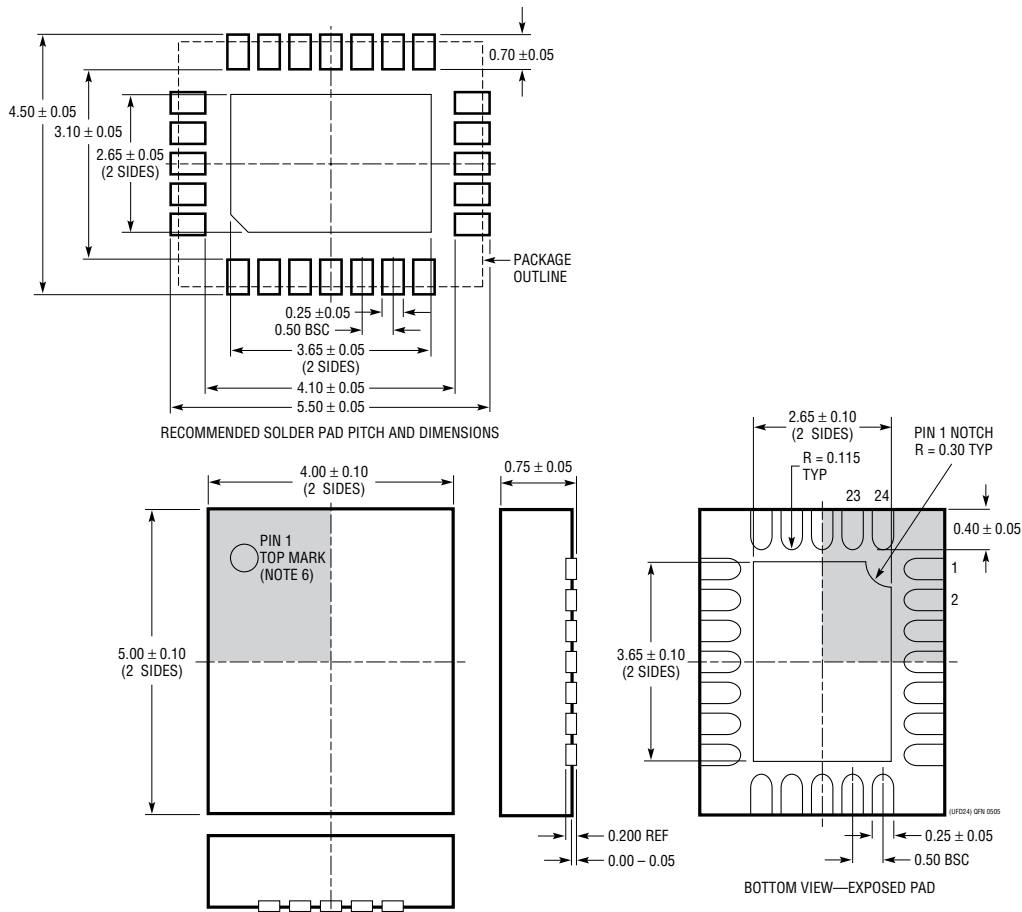
Figure 13. 5A, 5V Backplane Resident Application with Insertion Activated Turn-On

# PACKAGE DESCRIPTION

## GN Package 16-Lead Plastic SSOP (Narrow .150 Inch) (Reference LTC DWG # 05-08-1641)



## UFD Package 24-Lead Plastic QFN (4mm × 5mm) (Reference LTC DWG # 05-08-1696)



# TYPICAL APPLICATION

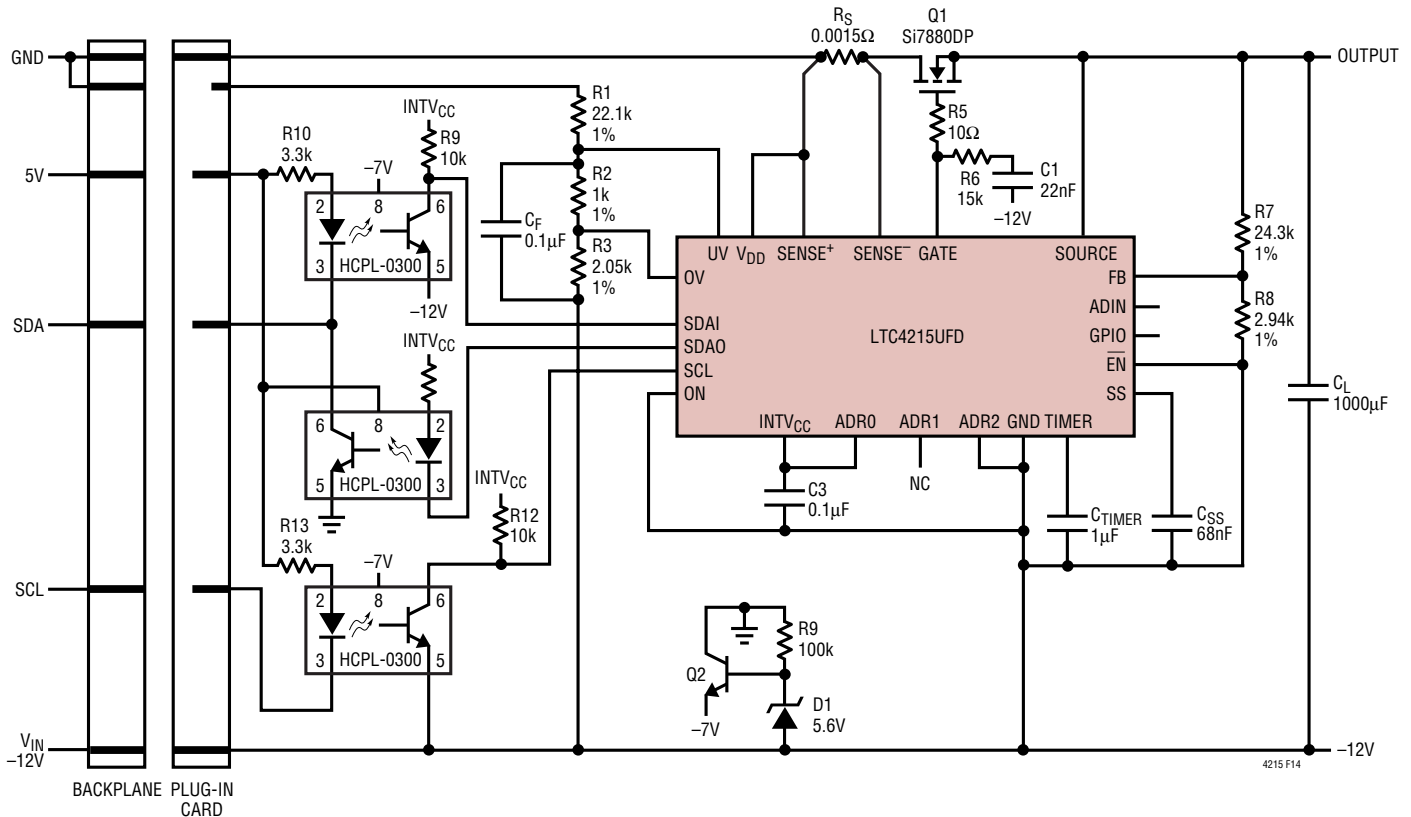


Figure 14. 3A, -12V Card Resident Application with Optically Isolated I<sup>2</sup>C

## RELATED PARTS

| PART NUMBER                       | DESCRIPTION  | COMMENTS  |
|-----------------------------------|--|---|
| LTC1421                           | Dual Channel, Hot Swap Controller                                | Operates from 3V to 12V, Supports -12V, SSOP-24                               |
| LTC1422                           | Single Channel, Hot Swap Controller                              | Operates from 2.7V to 12V, SO-8   |
| LTC1642A                          | Single Channel, Hot Swap Controller                              | Operates from 3V to 16.5V, Overvoltage Protection Up to 33V, SSOP-16          |
| LTC1645                           | Dual Channel, Hot Swap Controller                                | Operates from 3V to 12V, Power Sequencing, SO-8 or SO-14                      |
| LTC1647-1/LTC1647-2/<br>LTC1647-3 | Dual Channel, Hot Swap Controller                                | Operates from 2.7V to 16.5V, SO-8 or SSOP-16                                  |
| LTC4210                           | Single Channel, Hot Swap Controller                              | Operates from 2.7V to 16.5V, Active Current Limiting, SOT23-6                 |
| LTC4211                           | Single Channel, Hot Swap Controller                              | Operates from 2.5V to 16.5V, Multifunction Current Control, MSOP-8 or MSOP-10 |
| LTC4212                           | Single Channel, Hot Swap Controller                              | Operates from 2.5V to 16.5V, Power-Up Timeout, MSOP-10                        |
| LTC4214                           | Negative Voltage, Hot Swap Controller                            | Operates from -6V to -16V, MSOP-10  |
| LTC4216                           | Single Channel, Hot Swap Controller                              | Operates from 0V to 6V, MSOP-10 or 12-Lead (4mm x 3mm) DFN                    |
| LT4220                            | Positive and Negative Voltage, Dual Channel, Hot Swap Controller | Operates from ±2.7V to ±16.5V, SSOP-16  |
| LTC4221                           | Dual Hot Swap Controller/Sequencer                               | Operates from 1V to 13.5V, Multifunction Current Control, SSOP-16             |
| LTC4230                           | Triple Channel, Hot Swap Controller                              | Operates from 1.7V to 16.5V, Multifunction Current Control, SSOP-20           |