

FEATURES

- **Wide Operating Voltage Range: 7V to 80V**
- **12-Bit Resolution for Both Current and Voltages**
- **I²C Interface**
- Additional ADC Input Monitors an External Voltage
- Continuous Scan and Snapshot Modes
- Shutdown Mode (LTC4151) Reduces Quiescent Current to 120μA
- Split SDA for Optoisolation (LTC4151-1)
- Tiny 10-Lead MSOP and 3mm × 3mm DFN Packages

APPLICATIONS

- Telecom Infrastructure
- Automotive
- Industrial
- Consumer

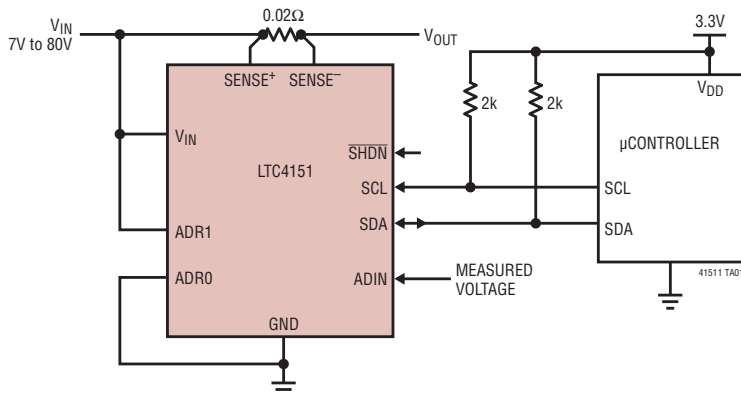
DESCRIPTION

The LTC[®]4151 and LTC4151-1 are high side power monitors that operate over a wide voltage range of 7V to 80V. In default operation mode, the onboard 12-bit ADC continuously measures high side current, input voltage and an external voltage. Data is reported through the I²C interface when polled by a host. The monitors can also perform on-demand measurement in a snapshot mode. The LTC4151 features a dedicated shutdown pin to reduce power consumption. The LTC4151-1 features split I²C data pins with data in and an inverted data output to drive optoisolators.

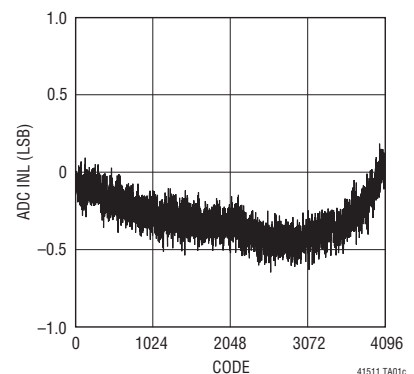
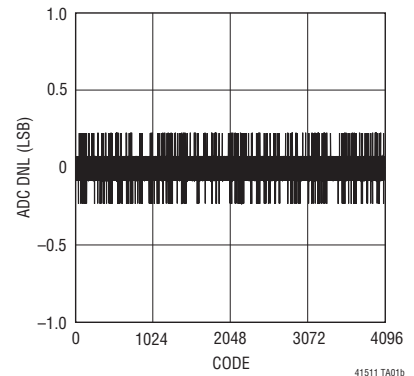
LT, LT, LTC and LTM are registered trademarks of Linear Technology Corporation. All other trademarks are the property of their respective owners.

TYPICAL APPLICATION

High Side Power Sensing with Onboard ADC and I²C



12-Bit ADC DNL and INL



41511fa

LTC4151/LTC4151-1

ABSOLUTE MAXIMUM RATINGS (Notes 1, 3)

V_{IN} Voltage.....	-0.3V to 90V	Operating Temperature Range	
SENSE ⁺ , SENSE ⁻ Voltages.....	$V_{IN} - 10V$ or -0.3V to $V_{IN} + 0.3V$	LTC4151C/LTC4151C-1	0°C to 70°C
ADR1, ADRO Voltages	-0.3V to 90V	LTC4151I/LTC4151I-1	-40°C to 85°C
ADIN, SHDN, SDAO Voltages	-0.3V to 6V	Storage Temperature Range	
SCL, SDA, SDAI Voltages (Note 2).....	-0.3V to 5.5V	MSOP	-65°C to 150°C
SCL, SDA, SDAI Clamp Current	5mA	DFN.....	-65°C to 125°C
		Lead Temperature (Soldering, 10 sec)	
		MSOP Only	300°C

PIN CONFIGURATION

<p>LTC4151</p> <p>DD PACKAGE 10-LEAD (3mm × 3mm) PLASTIC DFN $T_{JMAX} = 125^{\circ}C$, $\theta_{JA} = 45^{\circ}C/W$ EXPOSED PAD (PIN 11) PCB GND CONNECTION OPTIONAL</p>	<p>LT4151</p> <p>MS PACKAGE 10-LEAD PLASTIC MSOP $T_{JMAX} = 125^{\circ}C$, $\theta_{JA} = 85^{\circ}C/W$</p>
<p>LTC4151-1</p> <p>DD PACKAGE 10-LEAD (3mm × 3mm) PLASTIC DFN $T_{JMAX} = 125^{\circ}C$, $\theta_{JA} = 45^{\circ}C/W$ EXPOSED PAD (PIN 11) PCB GND CONNECTION OPTIONAL</p>	<p>LTC4151-1</p> <p>MS PACKAGE 10-LEAD PLASTIC MSOP $T_{JMAX} = 125^{\circ}C$, $\theta_{JA} = 85^{\circ}C/W$</p>

ORDER INFORMATION

LEAD FREE FINISH	TAPE AND REEL	PART MARKING*	PACKAGE DESCRIPTION	TEMPERATURE RANGE
LTC4151CDD#PBF	LTC4151CDD#TRPBF	LCWZ	10-Lead (3mm x 3mm) Plastic DFN	0°C to 70°C
LTC4151IDD#PBF	LTC4151IDD#TRPBF	LCWZ	10-Lead (3mm x 3mm) Plastic DFN	-40°C to 85°C
LTC4151CDD-1#PBF	LTC4151CDD-1#TRPBF	LCXC	10-Lead (3mm x 3mm) Plastic DFN	0°C to 70°C
LTC4151IDD-1#PBF	LTC4151IDD-1#TRPBF	LCXC	10-Lead (3mm x 3mm) Plastic DFN	-40°C to 85°C
LTC4151CMS#PBF	LTC4151CMS#TRPBF	LTCWY	10-Lead Plastic MSOP	0°C to 70°C
LTC4151IMS#PBF	LTC4151IMS#TRPBF	LTCWY	10-Lead Plastic MSOP	-40°C to 85°C
LTC4151CMS-1#PBF	LTC4151CMS-1#TRPBF	LTCXB	10-Lead Plastic MSOP	0°C to 70°C
LTC4151IMS-1#PBF	LTC4151IMS-1#TRPBF	LTCXB	10-Lead Plastic MSOP	-40°C to 85°C

Consult LTC Marketing for parts specified with wider operating temperature ranges. *The temperature grade is identified by a label on the shipping container. Consult LTC Marketing for information on non-standard lead based finish parts.

For more information on lead free part marking, go to: <http://www.linear.com/leadfree/>

For more information on tape and reel specifications, go to: <http://www.linear.com/tapeandreeel/>

ELECTRICAL CHARACTERISTICS

The ● denotes the specifications which apply over the full operating temperature range, otherwise specifications are at $T_A = 25^\circ\text{C}$. V_{IN} is from 7V to 80V, unless noted. (Note 3)

SYMBOL	PARAMETER	CONDITIONS	MIN	TYP	MAX	UNITS	
General							
V_{IN}	Supply Voltage		●	7	80	V	
I_{IN}	Supply Current	$V_{IN} = 48\text{V}$, Normal Operation Mode $V_{IN} = 12\text{V}$, Shutdown Mode	●	1.2	1.7	mA	
I_{SENSE+}	SENSE ⁺ Input Current	V_{IN} , SENSE ⁺ , SENSE ⁻ = 48V	●	5	9	μA	
I_{SENSE-}	SENSE ⁻ Input Current	V_{IN} , SENSE ⁺ , SENSE ⁻ = 48V	●	0.1	1	μA	
$V_{SHDN(TH)}$	SHDN Input Threshold		●	1	1.5	2	V
I_{SHDN}	SHDN Input Current	SHDN = 0V	●	-3	-5	-8	μA
ADC							
RES	Resolution (No Missing Codes)	(Note 4)	●	12		Bits	
V_{FS}	Full-Scale Voltage	(SENSE ⁺ – SENSE ⁻) V_{IN} ADIN		81.92 102.4 2.048		mV V V	
LSB	LSB Step Size	(SENSE ⁺ – SENSE ⁻) V_{IN} ADIN		20 25 0.5		μV mV mV	
TUE	Total Unadjusted Error	(SENSE ⁺ – SENSE ⁻) V_{IN} (Note 5) ADIN, LTC4151C, LTC4151C-1 ADIN, LTC4151I, LTC4151I-1	●		±1.25 ±1 ±0.75 ±1	% % % %	
V_{OS}	Offset Error	(SENSE ⁺ – SENSE ⁻) V_{IN} (Note 6) ADIN	●		±5 ±6 ±8	LSB LSB LSB	
INL	Integral Nonlinearity	(SENSE ⁺ – SENSE ⁻) V_{IN} (Note 5) ADIN	●	±1 ±1 ±0.5	±3 ±3 ±2	LSB LSB LSB	

LTC4151/LTC4151-1

ELECTRICAL CHARACTERISTICS

The ● denotes the specifications which apply over the full operating temperature range, otherwise specifications are at $T_A = 25^\circ\text{C}$. V_{IN} is from 7V to 80V, unless noted. (Note 3)

SYMBOL	PARAMETER	CONDITIONS	MIN	TYP	MAX	UNITS
σ_T	Transition Noise	(SENSE ⁺ – SENSE ⁻) V_{IN} ADIN		1.2 0.3 22		μV_{RMS} mV_{RMS} μV_{RMS}
f_{CONV}	Conversion Rate (Continuous Mode)		● 6	7.5	9	Hz
t_{CONV}	Conversion Time (Snapshot Mode)	(SENSE ⁺ – SENSE ⁻) ADIN, V_{IN}	● 53 ● 26	67 33	85 42	ms ms
R_{ADIN}	ADIN Pin Input Resistance	ADIN = 3V	● 2	10		M Ω
I_{ADIN}	ADIN Pin Input Current	ADIN = 3V	●		±2	μA
I²C Interface						
$V_{\text{ADR(H)}}$	ADRO, ADRI Input High Threshold		● 2.3	2.65	2.9	V
$V_{\text{ADR(L)}}$	ADRO, ADRI Input Low Threshold		● 0.3	0.6	0.9	V
$I_{\text{ADR(IN)}}$	ADRO, ADRI Input Current	ADRO, ADRI = 0V or 3V ADRO, ADRI = 0.8V or 2.2V	● ●		±70	μA μA
$V_{\text{SDA(OL)}}$	SDA, $\overline{\text{SDA0}}$ Output Low Voltage	$I_{\text{SDA}}, I_{\overline{\text{SDA0}}} = 8\text{mA}$	●	0.15	0.4	V
$I_{\text{SDA,SCL(IN)}}$	SDA, SDAI, $\overline{\text{SDA0}}$, SCL Input Current	SDA, SDAI, $\overline{\text{SDA0}}$, SCL = 5V	●	0	±2	μA
$V_{\text{SDA,SCL(TH)}}$	SDA, SDAI, SCL Input Threshold		● 1.6	1.8	2	V
$V_{\text{SDA,SCL(CL)}}$	SDA, SDAI, SCL Clamp Voltage	$I_{\text{SDA}}, I_{\text{SDAI}}, I_{\text{SCL}} = 3\text{mA}$	● 5.5	6.1	6.6	V
I²C Interface Timing (Note 4)						
$f_{\text{SCL(MAX)}}$	Maximum SCL Clock Frequency			400		kHz
t_{LOW}	Minimum SCL Low Period			0.65	1.3	μs
t_{HIGH}	Minimum SCL High Period			50	600	ns
$t_{\text{BUF(MIN)}}$	Minimum Bus Free Time Between Stop/ Start Condition			0.12	1.3	μs
$t_{\text{HD,STA(MIN)}}$	Minimum Hold Time After (Repeated) Start Condition			140	600	ns
$t_{\text{SU,STA(MIN)}}$	Minimum Repeated Start Condition Set-Up Time			30	600	ns
$t_{\text{SU,STO(MIN)}}$	Minimum Stop Condition Set-Up Time			30	600	ns
$t_{\text{HD,DATI(MIN)}}$	Minimum Data Hold Time Input			-100	0	ns
$t_{\text{HD,DATO(MIN)}}$	Minimum Data Hold Time Output		300	600	900	ns
$t_{\text{SU,DAT(MIN)}}$	Minimum Data Set-Up Time Input			30	100	ns
$t_{\text{SP(MAX)}}$	Maximum Suppressed Spike Pulse Width		50	110	250	ns
t_{RST}	Stuck-Bus Reset Time	SCL or SDA/SDAI Held Low	20	33		ms
C_X	SCL, SDA Input Capacitance			5	10	pF

Note 1: Stresses beyond those listed under Absolute Maximum Ratings may cause permanent damage to the device. Exposure to any Absolute Maximum Rating condition for extended periods may affect device reliability and lifetime.

Note 2: Internal clamps limit the SCL, SDA (LTC4151) and SDAI (LTC4151-1) pins to a minimum of 5.5V. Driving these pins to voltages beyond the clamp may damage the part. The pins can be safely tied to higher voltages through a resistor that limits the current below 5mA.

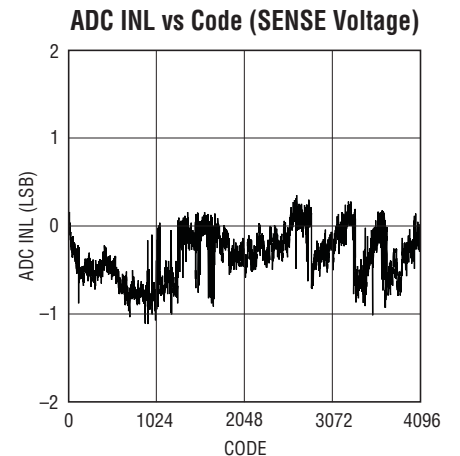
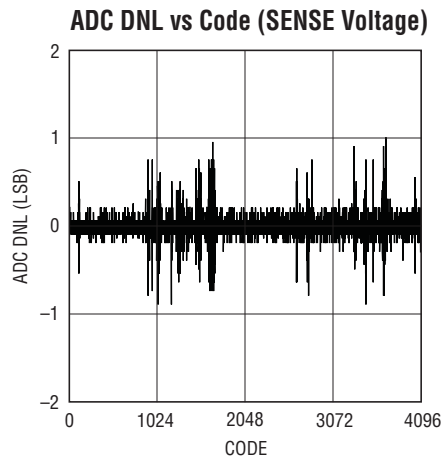
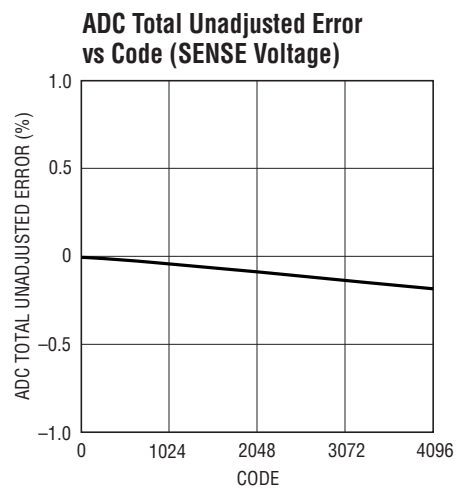
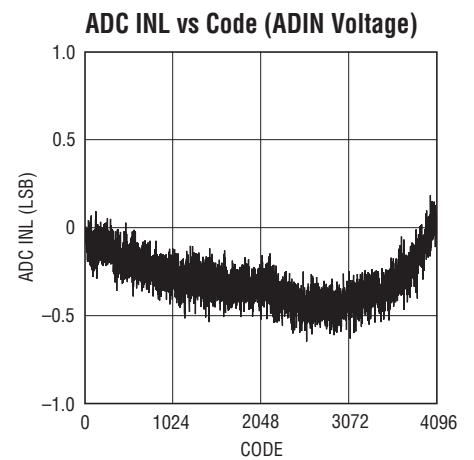
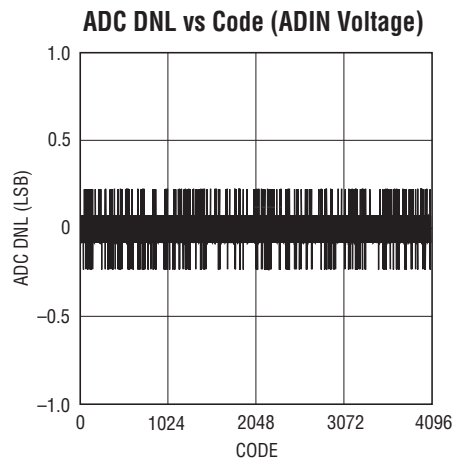
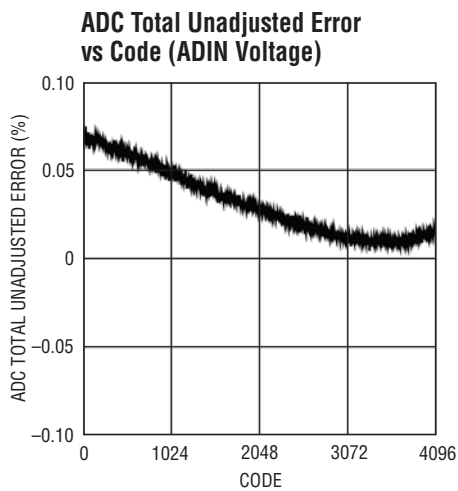
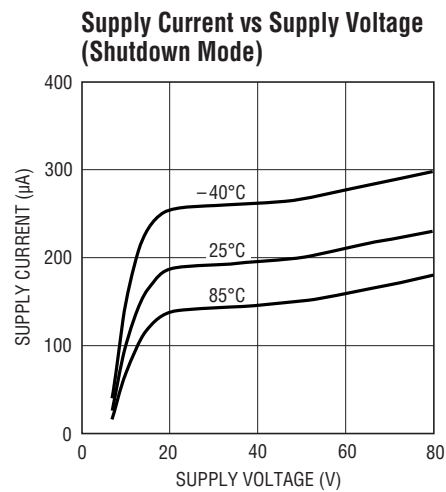
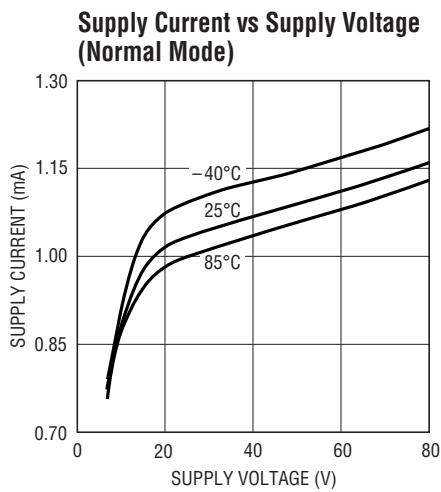
Note 3: All currents into pins are positive. All voltages are referenced to GND, unless otherwise noted.

Note 4: Guaranteed by design and not subject to test.

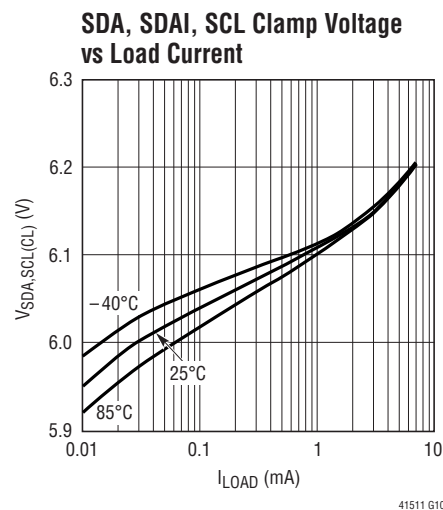
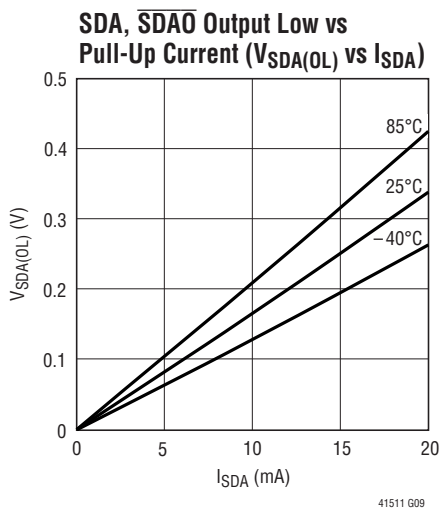
Note 5: Integral nonlinearity and total unadjusted error of V_{IN} are tested between 7V and 80V.

Note 6: Offset error of V_{IN} is defined by extrapolating the straight line measured between 7V and 80V.

TYPICAL PERFORMANCE CHARACTERISTICS $V_{IN} = 12V, T_A = 25^\circ C$, unless noted.



TYPICAL PERFORMANCE CHARACTERISTICS $V_{IN} = 12V$, $T_A = 25^\circ C$, unless noted.



PIN FUNCTIONS (DD/MS)

SENSE⁺ (Pin 1): Kelvin Sense of the V_{IN} Pin. See Figure 10 for recommended Kelvin connection.

V_{IN} (Pin 2): Supply Voltage Input. Accepts 7V to 80V. The voltage at this pin is monitored by the onboard ADC with a full-scale input range of 102.4V. SENSE⁺ must be connected to V_{IN} for proper ADC readout.

ADR1, ADR0 (Pin 3, Pin 4): I²C Device Address Inputs. Connecting ADR1 and ADR0 to V_{IN} , GND or leaving the pins open configures one of nine possible addresses. See Table 1 in the Applications Information section for details.

ADIN (Pin 5): ADC Input. The onboard ADC measures voltage range between 0V and 2.048V. Tie to GND if unused.

SCL (Pin 6): I²C Bus Clock Input. Data is shifted in and out at the SDA pin on rising edges of SCL. This pin is driven by an open collector output from a master controller. An external pull-up resistor or current source is required and can be placed between SCL and V_{IN} . The voltage at SCL is internally clamped to 6V (5.5V minimum).

SDA (Pin 7, LTC4151 Only): I²C Bus Data Input/Output. Used for shifting in address, command or data bits and sending out data. An external pull-up resistor or current source is required and can be placed between SDA and V_{IN} . The voltage at SDA is internally clamped to 6V (5.5V minimum).

SDAI (Pin 7, LTC4151-1 Only): I²C Bus Data Input. Used for shifting in address, command or data bits. This pin is driven by an open collector output from a master controller. An external pull-up resistor or current source is required and can be placed between SDAI and V_{IN} . The voltage at SDAI is internally clamped to 6V (5.5V minimum).

SDA0 (Pin 8, LTC4151-1 Only): Inverted Serial Bus Data Output. Open-drain output used for sending data back to the master controller or acknowledging a write operation. Data is inverted for convenience of optoisolation. An external pull-up resistor or current source is required.

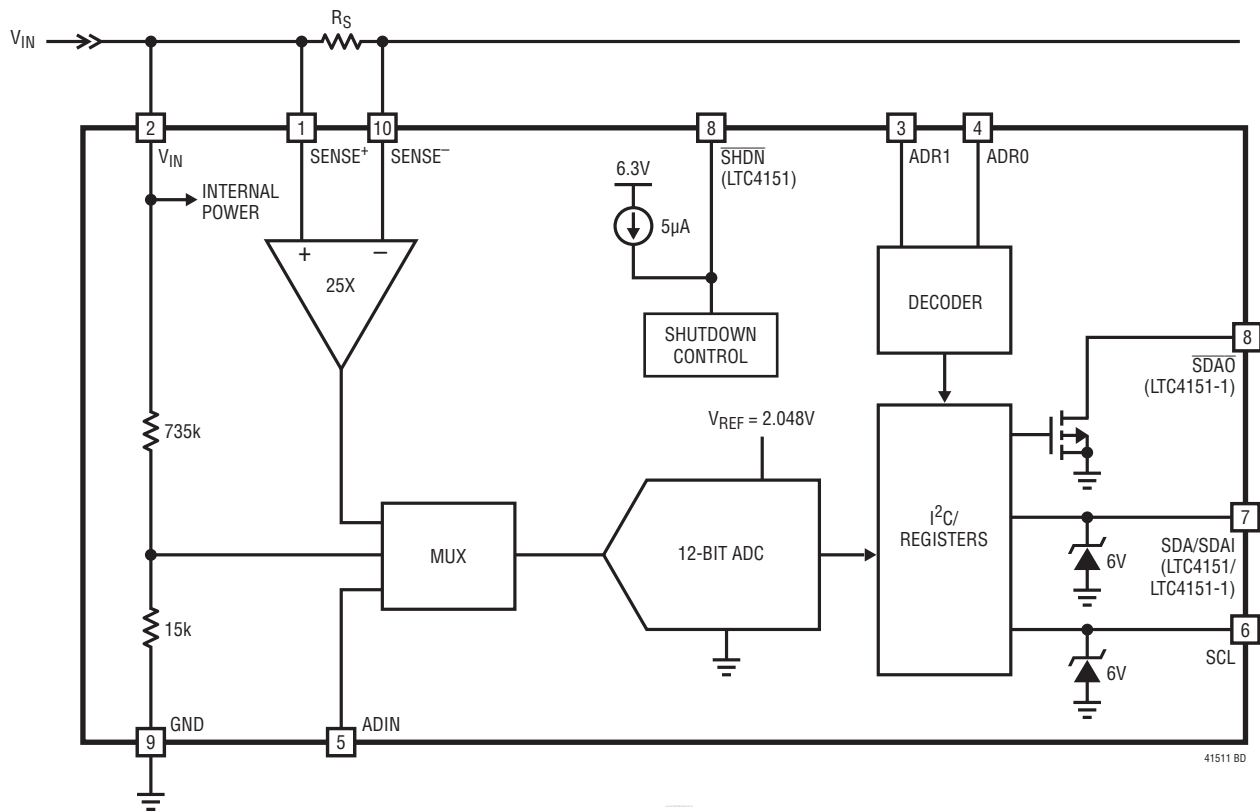
SHDN (Pin 8, LTC4151 Only): Shutdown Input. Internally pulled up to 6.3V. Pull this pin below 1V to force the LTC4151 into shutdown mode. Leave this pin open if unused.

GND (Pin 9): Device Ground.

SENSE⁻ (Pin 10): High Side Current Sense Input. Connect an external sense resistor between SENSE⁺ and SENSE⁻. The differential voltage between SENSE⁺ and SENSE⁻ is monitored by the onboard ADC with a full-scale sense voltage of 81.92mV.

Exposed Pad (Pin 11, DD Package Only): Exposed pad may be left open or connected to device ground (GND).

BLOCK DIAGRAM



OPERATION

The LTC4151/LTC4151-1 accurately monitor high side current and voltages. These devices accept a wide range of input voltages from as low as 7V up to 80V and consume less than 1.7mA quiescent current in normal operation. A shutdown mode is available with the LTC4151 to reduce the quiescent current to less than 300µA by pulling the SHDN pin below 1V.

In default continuous scan mode after power-up, the onboard 12-bit analog-to-digital converter (ADC) continuously and sequentially measures the high side differential voltage between SENSE⁺ (Kelvin sense of V_{IN}) and SENSE⁻ (full-scale 81.92mV) through an internal sense amplifier, the input voltage V_{IN} (full-scale 102.4V) through an internal voltage divider, and the voltage applied to the ADIN pin (full-scale 2.048V). The reference voltage of the ADC is internally set to 2.048V. The digital data obtained by the ADC is stored in the onboard registers.

In snapshot mode, the LTC4151/LTC4151-1 can perform on-demand measurement of a selected voltage without the need of continuous polling by a master controller. The snapshot mode is enabled by programming the control register through the I²C interface. A status bit in the data register monitors the ADC's conversion. When the conversion is completed, the 12-bit digital code of the measured voltage is held in the corresponding data registers.

The LTC4151/LTC4151-1 provide an I²C interface to read the ADC data from the data registers and to program the control register. Two three-state pins, ADR0 and ADR1, are used to decode nine device addresses (see Table 1). The LTC4151 features a single SDA pin to handle both input data and output data, while the LTC4151-1 provides separate SDAI (input) and SDAO (inverted output) pins to facilitate optoisolation.

APPLICATIONS INFORMATION

The LTC4151/LTC4151-1 offer a compact complete solution for high side power monitoring. With a wide operating voltage range from 7V to 80V, these devices are ideal for a variety of applications including consumer, automotive, industrial and telecom infrastructure. The simple application circuit as shown in Figure 1 provides monitoring of high side current with a 0.02Ω resistor (4.096A in full-scale), input voltage (102.4V in full-scale) and an external voltage (2.048V in full-scale), all with an internal 12-bit resolution ADC.

Data Converter

The LTC4151/LTC4151-1 feature an onboard, 12-bit analog-to-digital converter (ADC) that continuously monitors three voltages in the sequence of ($V_{SENSE+} - V_{SENSE-}$) first, V_{IN} second and V_{ADIN} third. The differential voltage between $SENSE+$ and $SENSE-$ is monitored with an 81.92mV full-scale and 20 μ V resolution that allows accurate measurement of the high side input current. $SENSE+$ is a Kelvin sense pin for the V_{IN} pin and must be connected to V_{IN} (see Figure 10) for proper ADC readout. The supply voltage at V_{IN} is directly measured with a 102.4V full-scale and 25mV resolution. The voltage at the uncommitted ADIN pin is measured with a 2.048V full-scale and 0.5mV resolution that allows monitoring of any external voltage.

The 12-bit digital code of each measured voltage is stored in two adjacent registers out of the six total data registers A through F, with the eight MSBs in the first register and the four LSBs in the second (Table 2).

The data in registers A through F is refreshed at a frequency of 7.5Hz in continuous scan mode. Setting control register bit G4 (Table 6) invokes a test mode that halts updating of these registers so that they can be written to and read from for software testing.

The data converter features a snapshot mode allowing users to make one-time measurements of a selected voltage (either the SENSE voltage, V_{IN} voltage, or ADIN voltage). To enable snapshot mode, set control register bit G7 and write the two-bit code of the desired ADC channel to G6 and G5 (Table 6) using a Write Byte command. When the Write Byte command is completed, the ADC measures the selected voltage and a Busy Bit in the LSB data register is set to indicate that the data is not ready. After completing the conversion, the ADC is halted and the Busy Bit is reset to indicate that the data is ready. To make another measurement of the same voltage or to measure another voltage, first disable the snapshot mode for the previous measurement by clearing control bit G7, then re-enable the snapshot mode and write the code of the desired voltage according to the procedure described above.

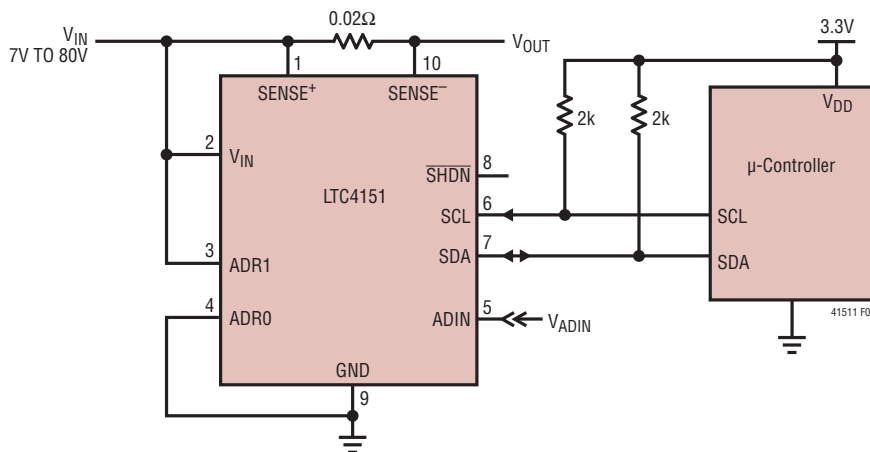


Figure 1. Monitoring High Side Current and Voltages Using the LTC4151

APPLICATIONS INFORMATION

I²C Interface

The LTC4151/LTC4151-1 feature an I²C-compatible interface to provide access to six ADC data registers and a control register for monitoring the measured voltages. Figure 2 shows a general data transfer format using the I²C. The LTC4151 and LTC4151-1 are read-write slave devices and support SMBus Read Byte, Write Byte, Read Word and Write Word commands. The devices also support Read Page and Write Page commands that allow one to read or write more than two bytes of data. When using

the Read Page and Write Page commands, the host need only to issue an initial register address and the internal register address pointer automatically increments by 1 after each byte of data is read or written. After the register address reaches 06h, it will be reset to 00h and continue the increment. Upon a Stop condition, the register address is reset to 00h. If desired, the Read Page and Write Page support can be disabled by clearing control register bit G3. The data formats for the above commands are shown in Figures 3 to 8.

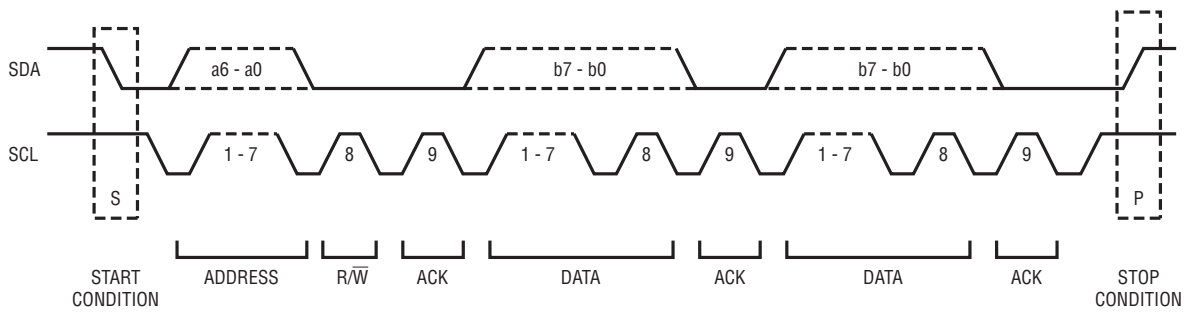


Figure 2. General Data Transfer over I²C

S	ADDRESS	W	A	COMMAND	A	DATA	A	P
	1 1 0 a3:a0	0	0	X X X X X b2:b0	0	b7:b0	0	

41511 F03

□ FROM MASTER TO SLAVE A: ACKNOWLEDGE (LOW) \bar{W} : WRITE BIT (LOW)
 □ FROM SLAVE TO MASTER \bar{A} : NOT ACKNOWLEDGE (HIGH) S: START CONDITION
 □ R: READ BIT (HIGH) P: STOP CONDITION

Figure 3. LTC4151 Serial Bus SDA Write Byte Protocol

S	ADDRESS	W	A	COMMAND	A	DATA	A	DATA	A	P
	1 1 0 a3:a0	0	0	X X X X X b2:b0	0	b7:b0	0	b7:b0	0	

41511 F04

Figure 4. LTC4151 Serial Bus SDA Write Word Protocol

S	ADDRESS	W	A	COMMAND	A	DATA	A	DATA	A	...	DATA	A	P
	1 1 0 a3:a0	0	0	X X X X X b2:b0	0	b7:b0	0	b7:b0	0	...	b7:b0	0	

41511 F05

Figure 5. LTC4151 Serial Bus SDA Write Page Protocol

S	ADDRESS	W	A	COMMAND	A	S	ADDRESS	R	A	DATA	A	P
	1 1 0 a3:a0	0	0	X X X X X b2:b0	0		1 1 0 a3:a0	1	0	b7:b0	0	

41511 F06

Figure 6. LTC4151 Serial Bus SDA Read Byte Protocol

S	ADDRESS	W	A	COMMAND	A	S	ADDRESS	R	A	DATA	A	DATA	A	P
	1 1 0 a3:a0	0	0	X X X X X b2:b0	0		1 1 0 a3:a0	1	0	b7:b0	0	b7:b0	1	

41511 F07

Figure 7. LTC4151 Serial Bus SDA Read Word Protocol

S	ADDRESS	W	A	COMMAND	A	S	ADDRESS	R	A	DATA	A	DATA	...	DATA	A	P
	1 1 0 a3:a0	0	0	X X X X X b2:b0	0		1 1 0 a3:a0	1	0	b7:b0	0	b7:b0	...	b7:b0	1	

41511 F08

Figure 8. LTC4151 Serial Bus SDA Read Page Protocol

APPLICATIONS INFORMATION

Using Optoisolators with LTC4151-1

The LTC4151-1 splits the SDA line into SDAI (input) and $\overline{\text{SDA0}}$ (inverted output) for convenience of optocoupling with a host controller that sits at a different ground level. When using optoisolators with the LTC4151-1, connect the SDAI to the output of the incoming optocoupler and connect the $\overline{\text{SDA0}}$ to the anode of the outgoing optocoupler (see Figure 9). With the outgoing optocoupler clamping $\overline{\text{SDA0}}$ and internal 6V (5.5V minimum) clamps on SDAI and SCL, the pull-up resistors on these three pins can be directly connected to V_{IN} . In this way (with $\overline{\text{SDA0}}$ rather than conventional SDA0), the need for a separate low voltage supply for pull-ups is eliminated.

Start and Stop Conditions

When the I²C bus is idle, both SCL and SDA must remain in the high state. A bus master signals the beginning of a transmission with a Start condition by transitioning SDA from high to low while SCL stays high. When the master has finished communicating with the slave, it issues a Stop condition by transitioning SDA from low to high while SCL stays high. The bus is then free for another transmission.

Stuck-Bus Reset

The LTC4151/LTC4151-1 I²C interface features a stuck-bus reset timer. The low conditions of the SCL and the SDA/SDAI pins are OR'ed to start the timer. The timer is reset when both SCL and SDA/SDAI are pulled high. If the SCL pin or the SDA/SDAI pin is held low for over 33ms, the stuck-bus timer will expire and the internal I²C state machine will be reset to allow normal communication after the stuck-bus condition is cleared. The stuck-bus timer can be disabled by clearing control register bit G2.

I²C Device Addressing

Nine distinct I²C bus addresses are configurable using the three-state pins ADR0 and ADR1, as shown in Table 1. Address bits a6, a5 and a4 are configured to (110) and the least significant bit is the $\overline{\text{R/W}}$ bit. In addition, the LTC4151 and LTC4151-1 will respond to a mass write address (1100 110)b for writing to all LTC4151s and LTC4151-1s, regardless of their individual address settings.

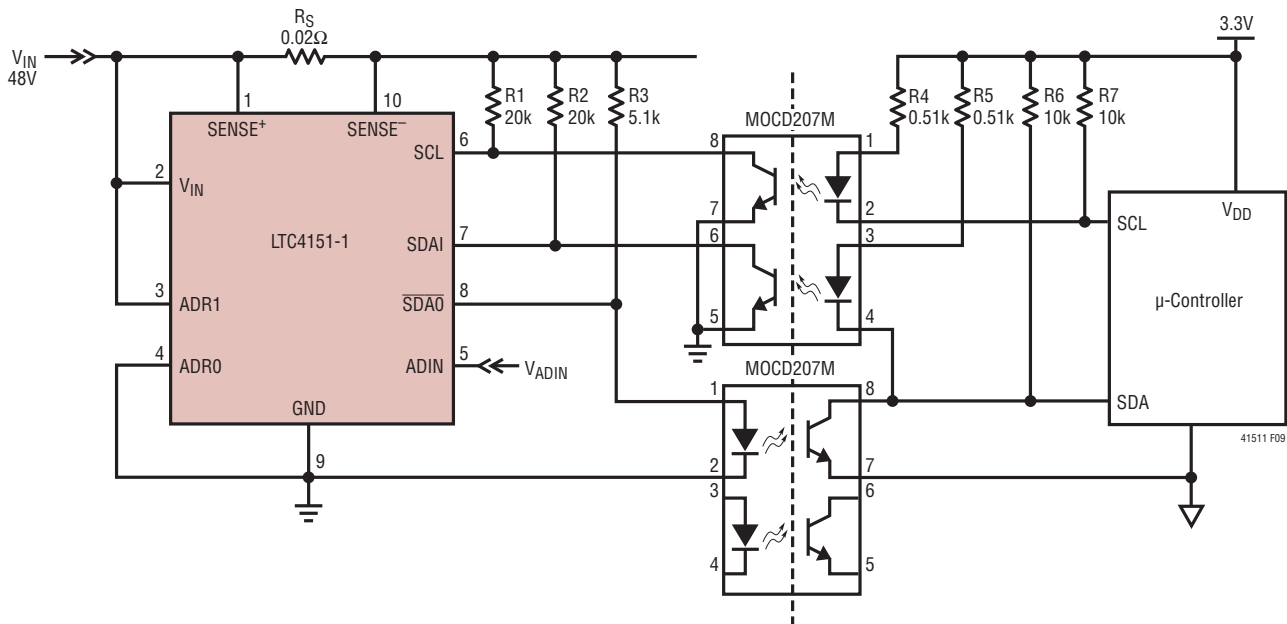


Figure 9. Optoisolation of the I²C Interface Between LTC4151-1 and a Microcontroller

41511fa

APPLICATIONS INFORMATION

Acknowledge

The acknowledge signal is used for handshaking between the transmitter and the receiver to indicate that the last byte of data was received. The transmitter always releases the SDA line during the acknowledge clock pulse. The LTC4151/LTC4151-1 pull the SDA line low on the 9th clock cycle to acknowledge receipt of the data. If the slave fails to acknowledge by leaving SDA high, then the master can abort the transmission by generating a Stop condition. When the master is receiving data from the slave, the master must pull down the SDA line during the clock pulse to indicate receipt of a data byte, and that another byte is to be read. After the last byte has been received the master will leave the SDA line high (not acknowledge) and issue a Stop condition to terminate the transmission.

Write Protocol

The master begins a write operation with a Start condition followed by the seven bit slave address and the R/\bar{W} bit set to zero. After the addressed LTC4151/LTC4151-1 acknowledge the address byte, the master then sends a command byte which indicates which internal register the master wishes to write. The LTC4151/LTC4151-1 acknowledge this and then latches the lower three bits of the command byte into its internal register address pointer. The master then delivers the data byte and the LTC4151 or LTC4151-1 acknowledges once more and latches the data

into its internal register. If the master continues sending a second byte or more data bytes, as in a Write Word or Write Page command, the second byte or more data bytes will be acknowledged by the LTC4151/LTC4151-1, the internal register address pointer will increment automatically, and each byte of data will be latched into an internal register corresponding to the address pointer. The write operation terminates and the register address pointer resets to 00h when the master sends a Stop condition.

Read Protocol

The master begins a read operation with a Start condition followed by the seven bit slave address and the R/\bar{W} bit set to zero. After the addressed LTC4151/LTC4151-1 acknowledge the address byte, the master then sends a command byte that indicates which internal register the master wishes to read. The LTC4151/LTC4151-1 acknowledge this and then latches the lower three bits of the command byte into its internal register address pointer. The master then sends a repeated Start condition followed by the same seven bit address with the R/\bar{W} bit now set to one. The LTC4151/LTC4151-1 acknowledge and send the contents of the requested register. The transmission terminates when the master sends a Stop condition. If the master acknowledges the transmitted data byte, as in a Read Word command, the LTC4151/LTC4151-1 will send the contents of the next register. If the master acknowledges the second data byte

Table 1. LTC4151/LTC4151-1 Device Addressing*

DESCRIPTION	HEX DEVICE ADDRESS	BINARY DEVICE ADDRESS								LTC4151/LTC4151-1 ADDRESS PINS	
		a6	a5	a4	a3	a2	a1	a0	R/\bar{W}	ADR1	ADRO
Mass Write	CC	1	1	0	0	1	1	0	0	X	X
0	CE	1	1	0	0	1	1	1	X	H	L
1	D0	1	1	0	1	0	0	0	X	NC	H
2	D2	1	1	0	1	0	0	1	X	H	H
3	D4	1	1	0	1	0	1	0	X	NC	NC
4	D6	1	1	0	1	0	1	1	X	NC	L
5	D8	1	1	0	1	1	0	0	X	L	H
6	DA	1	1	0	1	1	0	1	X	H	NC
7	DC	1	1	0	1	1	1	0	X	L	NC
8	DE	1	1	0	1	1	1	1	X	L	L

*H = Tie High; L = Tie to GND; NC = Open; X = Don't Care

APPLICATIONS INFORMATION

Table 2. LTC4151/LTC4151-1 Register Address and Contents

REGISTER ADDRESS*	REGISTER NAME	READ/WRITE	DESCRIPTION
00h	SENSE (A)	R/W**	ADC Current Sense Voltage Data (8 MSBs)
01h	SENSE (B)	R/W**	ADC Current Sense Voltage Data (4 LSBs)
02h	V _{IN} (C)	R/W**	ADC V _{IN} Voltage Data (8 MSBs)
03h	V _{IN} (D)	R/W**	ADC V _{IN} Voltage Data (4 LSBs)
04h	ADIN (E)	R/W**	ADC ADIN Voltage Data (8 MSBs)
05h	ADIN (F)	R/W**	ADC ADIN Voltage Data (4 LSBs)
06h	CONTROL (G)	R/W	Controls ADC Operation Mode and Test Mode
07h	Reserved		

*Register address MSBs b7-b3 are ignored. **Writable if bit G4 is set.

Table 3. SENSE Registers A (00h) and B (01h)—Read/Write

BIT	NAME	OPERATION
A7:0, B7:4	SENSE Voltage Data	12-Bit Data of Current Sense Voltage with 20 μ V LSB and 81.92mV Full-Scale
B3	ADC Busy in Snapshot Mode	1 = SENSE Being Converted; 0 = SENSE Conversion Completed. Not Writable
B2:0	Reserved	Always Returns 0. Not Writable

Table 4. V_{IN} Registers C (02h) and D (03h)—Read/Write

BIT	NAME	OPERATION
C7:0, D7:4	V _{IN} Voltage Data	12-Bit Data of V _{IN} Voltage with 25mV LSB and 102.4V Full-Scale
D3	ADC Busy in Snapshot Mode	1 = V _{IN} Being Converted; 0 = V _{IN} Conversion Completed. Not Writable
D2:0	Reserved	Always Returns 0, Not Writable

Table 5. ADIN Registers E (04h) and F (05h)—Read/Write

BIT	NAME	OPERATION
E7:0, F7:4	ADIN Voltage Data	12-Bit Data of Current Sense Voltage with 500 μ V LSB and 2.048V Full-Scale
F3	ADC Busy in Snapshot Mode	1 = ADIN Being Converted; 0 = ADIN Conversion Completed. Not Writable
F2:0	Reserved	Always Returns 0, Not Writable

Table 6. CONTROL Register G (06h)—Read/Write

BIT	NAME	OPERATION												
G7	ADC Snapshot Mode Enable	Enables ADC Snapshot Mode; 1 = Snapshot Mode Enabled. Only the channel selected by G6 and G5 is measured by the ADC. After the conversion, the channel busy bit is reset and the ADC is halted. 0 = Snapshot Mode Disabled (ADC free running, Default).												
G6	ADC Channel Label for Snapshot Mode	<table border="1"> <thead> <tr> <th>G6</th> <th>G5</th> <th>ADC CHANNEL</th> </tr> </thead> <tbody> <tr> <td>0</td> <td>0</td> <td>SENSE (Default)</td> </tr> <tr> <td>0</td> <td>1</td> <td>V_{IN}</td> </tr> <tr> <td>1</td> <td>0</td> <td>ADIN</td> </tr> </tbody> </table>	G6	G5	ADC CHANNEL	0	0	SENSE (Default)	0	1	V _{IN}	1	0	ADIN
G6	G5		ADC CHANNEL											
0	0		SENSE (Default)											
0	1		V _{IN}											
1	0	ADIN												
G5	ADC Channel Label for Snapshot Mode													
G4	Test Mode Enable	Test Mode Halts ADC Operation and Enables Writes to ADC Registers; 1 = Enable Test Mode, 0 = Disable Test Mode (Default)												
G3	Page Read/Write Enable	Enables Page Read/Write; 1 = Enable I ² C Page Read/Write (Default), 0 = Disable I ² C Page Read/Write												
G2	Stuck-Bus Timer Enable	Enables I ² C Stuck-Bus Reset Timer; 1 = Enable Stuck-Bus Timer (Default), 0 = Disable Stuck-Bus Timer												
G1:0	Reserved	Always Returns 0, Not Writable												

APPLICATIONS INFORMATION

and each of the following (if more) data bytes, as in a Read Page command, the LTC4151/LTC4151-1 will keep sending out each data byte in the register that corresponds to the incrementing register pointer. The read operation terminates and the register address pointer resets to 00h when the master sends a Stop condition.

Layout Considerations

A Kelvin connection between the sense resistor R_S and the LTC4151/LTC4151-1 is recommended to achieve accurate current sensing (Figure 10). The minimum trace width for 1oz copper foil is 0.02" per amp to make sure the trace stays at a reasonable temperature. Using 0.03" per amp or wider is recommended. Note that 1oz copper exhibits a sheet resistance of about $530\mu\Omega$ per square.

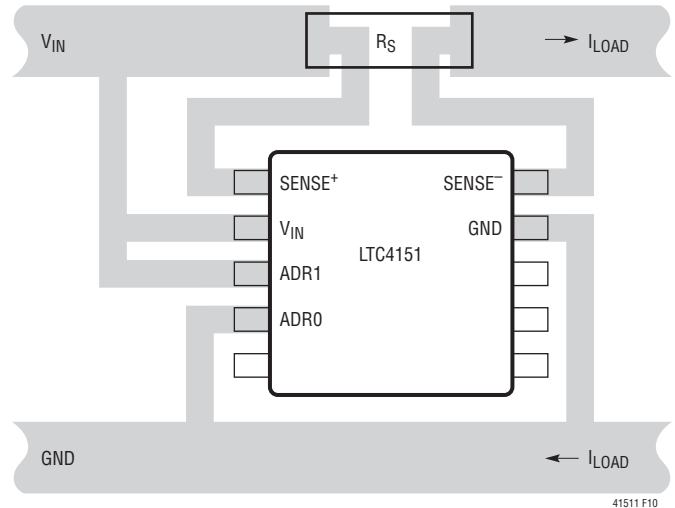
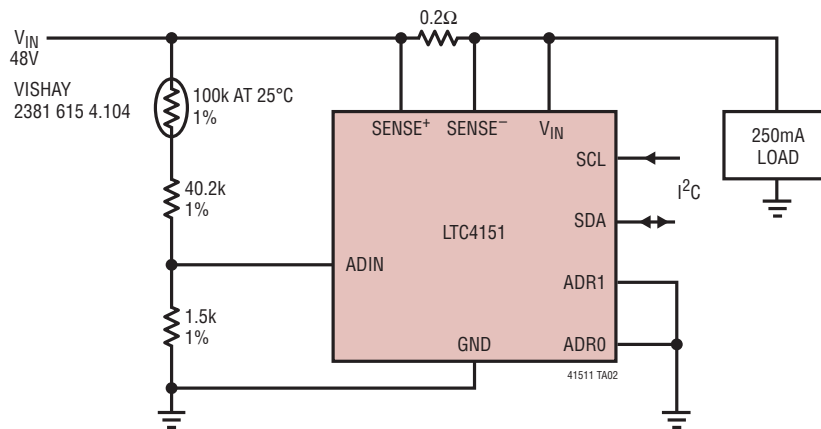


Figure 10. Recommended Layout for Kelvin Connection

TYPICAL APPLICATION

Temperature Monitoring with an NTC Thermistor While Measuring Load Current and LTC4151 Supply Current

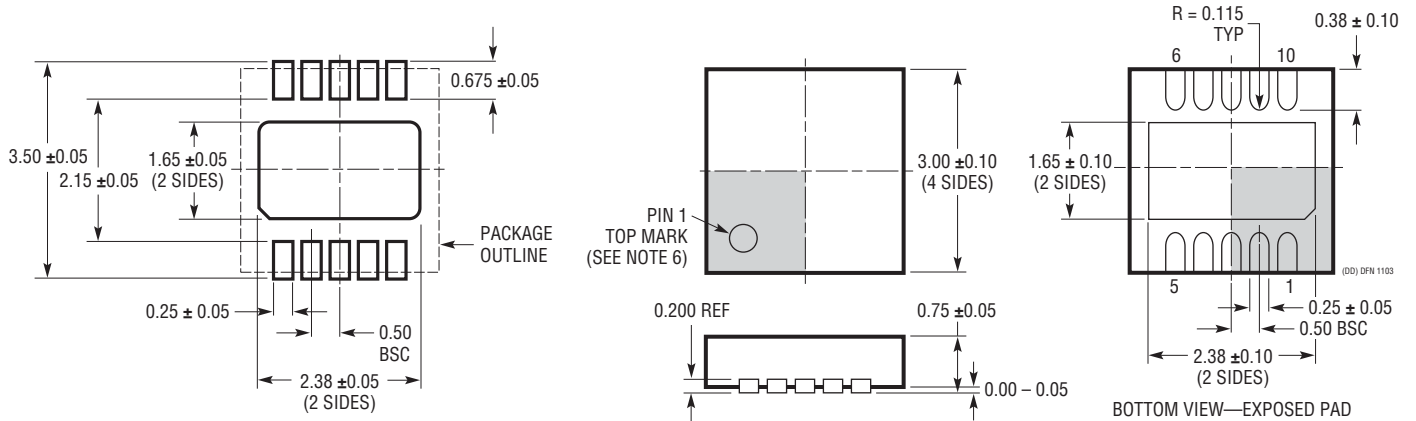


$$T(^{\circ}\text{C}) = 58.82 \times (N_{\text{ADIN}}/N_{\text{VIN}} - 0.1066), 20^{\circ}\text{C} < T < 60^{\circ}\text{C}.$$

N_{ADIN} and N_{VIN} are digital codes measured by the ADC at the ADIN and V_{IN} pins, respectively.

PACKAGE DESCRIPTION

DD Package
10-Lead Plastic DFN (3mm × 3mm)
 (Reference LTC DWG # 05-08-1699)

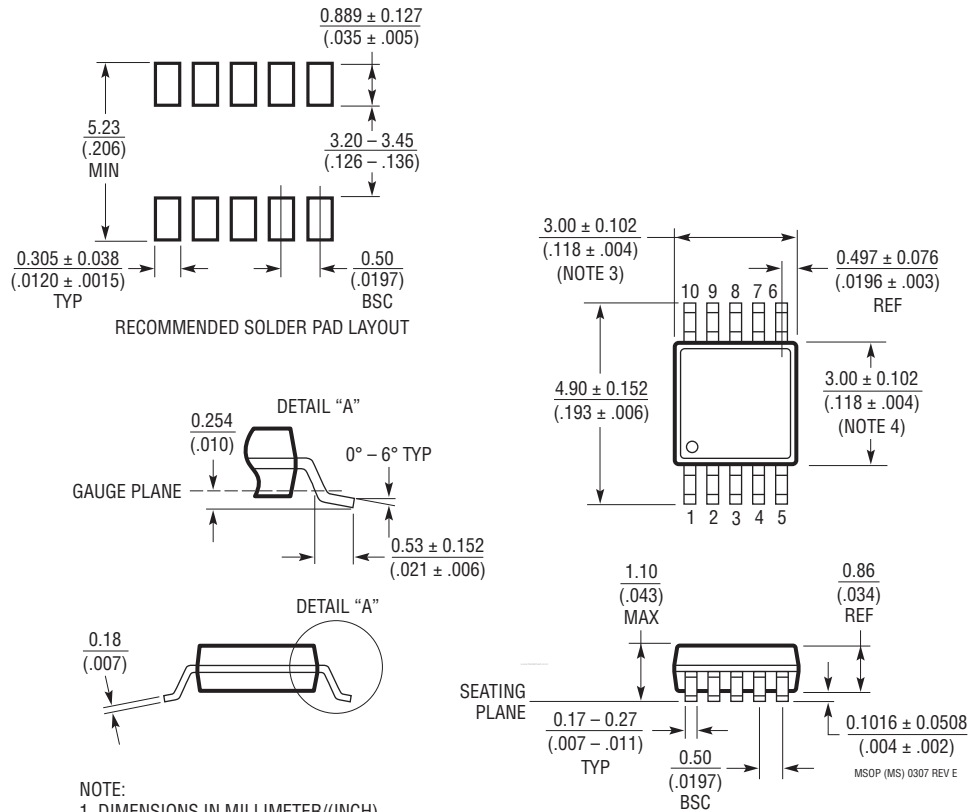


RECOMMENDED SOLDER PAD PITCH AND DIMENSIONS

NOTE:

1. DRAWING TO BE MADE A JEDEC PACKAGE OUTLINE M0-229 VARIATION OF (WEED-2). CHECK THE LTC WEBSITE DATA SHEET FOR CURRENT STATUS OF VARIATION ASSIGNMENT
2. DRAWING NOT TO SCALE
3. ALL DIMENSIONS ARE IN MILLIMETERS
4. DIMENSIONS OF EXPOSED PAD ON BOTTOM OF PACKAGE DO NOT INCLUDE MOLD FLASH. MOLD FLASH, IF PRESENT, SHALL NOT EXCEED 0.15mm ON ANY SIDE
5. EXPOSED PAD SHALL BE SOLDER PLATED
6. SHADED AREA IS ONLY A REFERENCE FOR PIN 1 LOCATION ON THE TOP AND BOTTOM OF PACKAGE

MS Package
10-Lead Plastic MSOP
 (Reference LTC DWG # 05-08-1661)



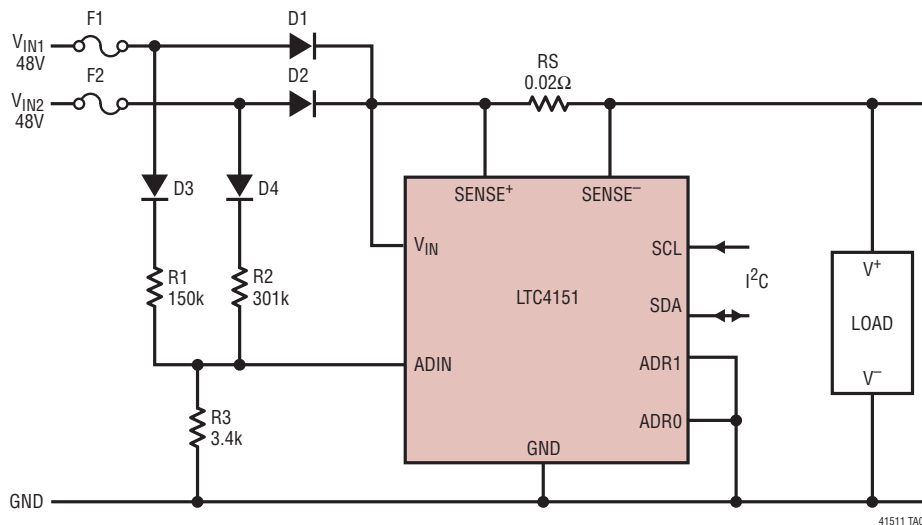
NOTE:

1. DIMENSIONS IN MILLIMETER/(INCH)
2. DRAWING NOT TO SCALE
3. DIMENSION DOES NOT INCLUDE MOLD FLASH, PROTRUSIONS OR GATE BURRS.
MOLD FLASH, PROTRUSIONS OR GATE BURRS SHALL NOT EXCEED 0.152mm (.006") PER SIDE
4. DIMENSION DOES NOT INCLUDE INTERLEAD FLASH OR PROTRUSIONS.
INTERLEAD FLASH OR PROTRUSIONS SHALL NOT EXCEED 0.152mm (.006") PER SIDE
5. LEAD COPLANARITY (BOTTOM OF LEADS AFTER FORMING) SHALL BE 0.102mm (.004") MAX

LTC4151/LTC4151-1

TYPICAL APPLICATION

High Side Current, Input Voltage and Open Fuse Monitoring with a Single LTC4151



CONDITION	RESULT
$N_{ADIN} \geq 1.375 \cdot N_{VIN}$	Normal Operation
$0.835 \cdot N_{VIN} \leq N_{ADIN} < 1.375 \cdot N_{VIN}$	F2 is Open
$0.285 \cdot N_{VIN} \leq N_{ADIN} < 0.835 \cdot N_{VIN}$	F1 is Open
(Not Responding)	Both F1 and F2 are Open

V_{IN1} and V_{IN2} are within 20% apart. N_{ADIN} and N_{VIN} are digital codes measured by the ADC at the ADIN and V_{IN} pins, respectively.

RELATED PARTS

PART NUMBER	DESCRIPTION	COMMENTS
LTC2451	16-Bit I ² C Ultra Tiny Delta Sigma ADC	Single-Ended Input, 0 to V_{CC} Input Range, 60Hz Output Rate, 3mm × 2mm DFN-8 Package
LTC2453	16-Bit I ² C Ultra Tiny Delta Sigma ADC	Differential Input, $\pm V_{CC}$ Input Range, 60Hz Output Rate, 3mm × 2mm DFN-8 Package
LTC2970	Power Supply Monitor and Margining Controller	14-Bit ADC Monitoring Current and Voltages, Supplies from 8V to 15V
LTC4215	Positive Hot Swap Controller with ADC and I ² C	8-Bit ADC Monitoring Current and Voltages, Supplies from 2.9V to 15V
LTC4260	Positive High Voltage Hot Swap™ Controller with ADC and I ² C	8-Bit ADC Monitoring Current and Voltages, Supplies from 8.5V to 80V
LTC4261/ LTC4261-2	Negative High Voltage Hot Swap Controller with ADC and I ² C	10-Bit ADC Monitoring Current and Voltages, Supplies from -12V
LTC6101/ LTC6101HV	High Voltage, High Side Current Sense Amplifier in SOT-23 Package	Supplies from 4V to 60V (LTC6101) and 5V to 100V (LTC6101HV)

Hot Swap and No Latency Delta Sigma are trademarks of Linear Technology Corporation.

41511fa