



### General features

- Compliant to USB V2.0 for full-speed (12Mb/s) and low-speed (1.5Mbps) operation
- HBM =  $\pm 14\text{kV}$  on D+, D- lines;  $\pm 5\text{kV}$  on VBUS
- ESD Compliant to IEC-61000-4.2 (level 3) on D+, D- lines
- Separate I/O supply with operation down to 1.6V
- Integrated 3.3V output LDO
- Very low power consumption to meet USB 'suspend' current requirements
- Small QFN16 lead free package  $3 \times 3 \text{ mm}^2$
- No power supply sequencing requirements
- Software controlled re-enumeration
- Integrated D+ pull-up resistor for FS operation

### Description

The STUSB03E is a single chip transceiver that complies with the physical layer specifications of the Universal Serial Bus (USB) v2.0 standard. It has an integrated 5V to 3.3V regulator which allows direct powering from the  $V_{\text{BUS}}$ . The transceiver has an integrated voltage detector to



detect the presence of the  $V_{\text{BUS}}$  voltage and features an internal D+ pull-up resistor implemented in accordance with the 27% resistor ECN.

The STUSB03E also supports Sharing mode when  $V_{\text{BUS}}$  is not present, which allows the D+/D- lines to be shared with other serial protocols.

It supports both full-speed (12Mbps) and low-speed (1.5Mbps) operation. It is also designed to operate down to 1.6V so that it is compatible with lower system voltages of most portable systems, which include PDAs, MP3 Player and Cell phones.

### Order code

Part number	Package	Packaging
STUSB03EQR	QFN16 (3mm x 3mm)	3000 parts per reel

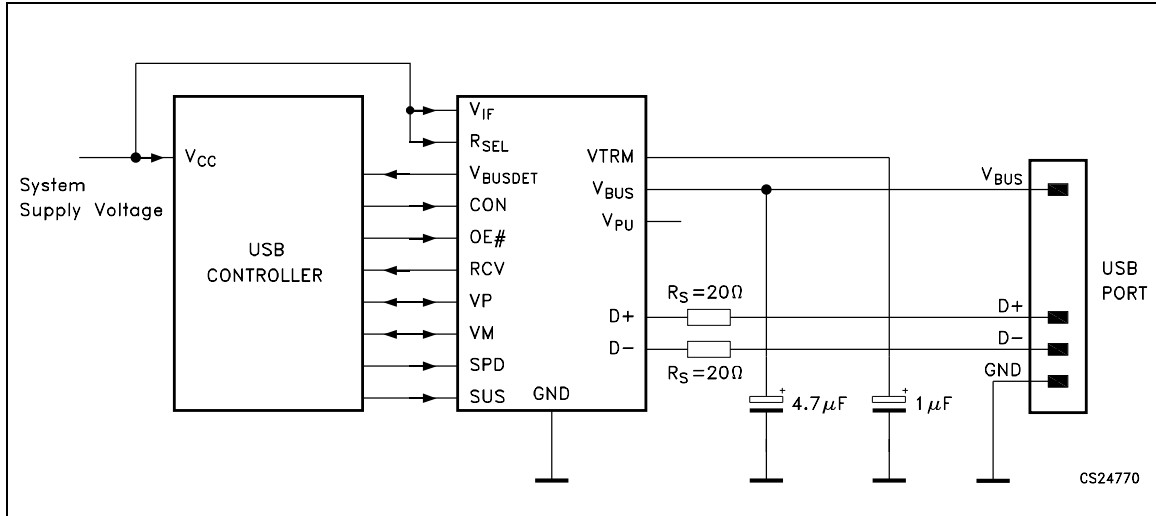
---

## Contents

<b>1</b>	<b>Typical application</b> .....	<b>3</b>
<b>2</b>	<b>Pin configuration</b> .....	<b>4</b>
<b>3</b>	<b>Functional tables</b> .....	<b>5</b>
<b>4</b>	<b>Maximum ratings</b> .....	<b>6</b>
<b>5</b>	<b>Electrical characteristics</b> .....	<b>7</b>
<b>6</b>	<b>Timing diagram</b> .....	<b>11</b>
<b>7</b>	<b>Test circuits</b> .....	<b>13</b>
<b>8</b>	<b>Functional description</b> .....	<b>15</b>
<b>9</b>	<b>Package mechanical data</b> .....	<b>16</b>
<b>10</b>	<b>Revision history</b> .....	<b>19</b>

# 1 Typical application

Figure 1. Application circuit



## 2 Pin configuration

Figure 2. Pin connections (Top View)

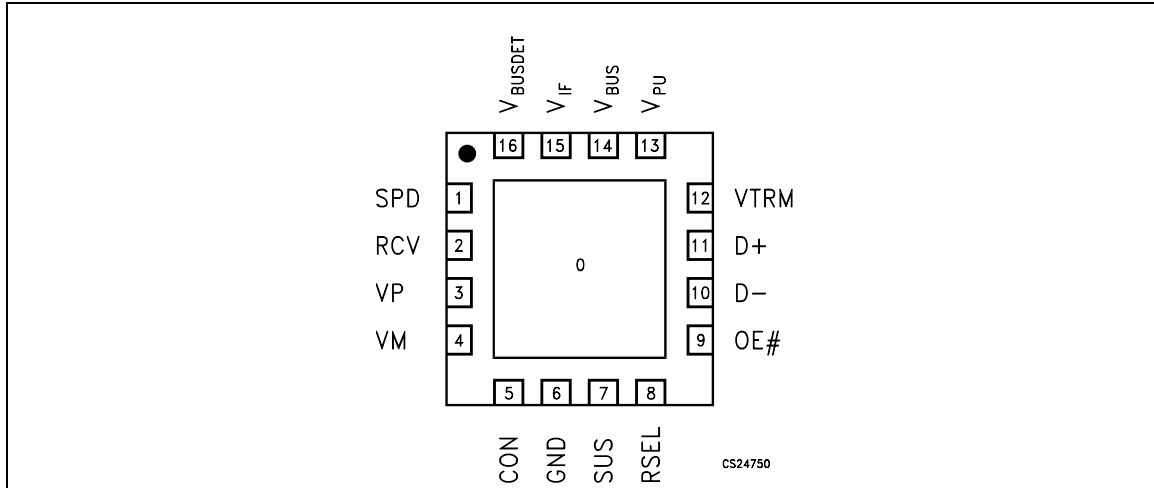


Table 1. Pin description

Pin N°	Symbol	I/O	Name and function
1	SPD	I	Speed selection input. A logic HIGH operates at edge rates for "fullspeed" operation. A logic LOW operates edge rates for "lowspeed" operation. See also CON pin.
2	RCV	O	Receive Data. Output for USB differential data. (see <a href="#">Table 2</a> )
3	VP	I/O	If OE# = H, VP = Receiver output (+) If OE# = L, VP = Driver input (+) (see <a href="#">Table 2</a> )
4	VM	I/O	If OE# = H, VM = Receiver output (-) If OE# = L, VM = Driver input (-) (see <a href="#">Table 2</a> )
5	CON	I	CONNECT (input). Connects the internal pull-up resistor to D+ if SPD and RSEL are logic high. Controls status of V <sub>PU</sub> pin if SPD or RSEL is logic low.
6	GND		Ground reference
7	SUS	I	Suspend (active-high). Turns off internal circuits to reduce supply current.
8	RSEL	I	Full speed pull-up resistor selection input. If RSEL = 0 the internal pull-up resistor connected to D+ is disabled and an external resistor connected to V <sub>PU</sub> pin must be used.
9	OE#	I	Output Enable (active-low). Enables transceiver data transmission onto the bus. When not active, the transceiver is in the receive mode. (see <a href="#">Table 2</a> )
10, 11	D-, D+	I/O	Differential data lines that conform to the USB v2.0 standard. (see <a href="#">Table 2</a> )
12	VTRM	O	3.3V Reference Supply Output. Requires a 1.0µF decoupling capacitor for stability.
13	V <sub>PU</sub>	O	Pull-up Supply Voltage Output. Used to connect 1.5K pull-up speed detect resistor when RSEL or SPD is logic low. If CON = 0, V <sub>PU</sub> is high impedance. If CON = 1, V <sub>PU</sub> = 3.3V ±10% (see <a href="#">Table 4</a> ).
14	V <sub>BUS</sub>	I	USB Bus Supply Voltage (4V to 5.5V). Supplies power to the USB transceiver and internal circuitry.
15	V <sub>IF</sub>	I	System Interface Supply Voltage (1.6V to 3.6V). Provides reference supply voltage for system I/O interface signals.
16	V <sub>BUSDET</sub>	O	V <sub>BUS</sub> indicator output. When V <sub>BUS</sub> > 4.0V, V <sub>BUSDET</sub> = High; when < 3.6V, V <sub>BUSDET</sub> = Low (V <sub>IF</sub> referred).
EXP	N.C.		Not connected.

### 3 Functional tables

**Table 2. Function selection**

SUS	OE#	D+, D-	RCV	VP/VM	Function
L	L	Driving	Active	Active	Normal transmit mode
L	H	Receiving	Active	Active	Normal receive mode
H	L	Hi-Z	L	Not Active	Low power state
H	H	Hi-Z	L	Active	Receiving during suspend (low power state) <sup>(1)</sup>

(1) During suspend VP and VM are active in order to detect out of band signalling conditions

**Table 3. Sharing mode pin configuration**

Input/output	Status
V <sub>BUS</sub>	Floating or connected to GND
V <sub>IF</sub>	1.6V to 3.6V input
D+, D-, VP, VM	High impedance
RCV	High
SPD	Low
V <sub>BUSDET</sub>	High impedance
V <sub>PU</sub>	Low
#OE, SUS, CON	High impedance
	High impedance inputs

**Table 4. V<sub>PU</sub> Status**

SPD	RSEL	CON	V <sub>PU</sub>
H	H	X	High impedance
H	L	L	High impedance
H	L	H	3.3V ± 10%
L	X	L	High impedance
L	X	H	3.3V ± 10%

**Table 5. Truth table during normal Mode**

OE# = L					
Input		Output			Result
VP	VM	D+	D-	RCV	
L	L	L	L	X	SE0
L	H	L	H	L	Logic Low
H	L	H	L	H	Logic High
H	H	X	X	X	Undefined
OE# = H					
Input		Output			RESULT
D+	D-	VP	VM	RCV	
L	L	L	L	X	SE0
L	H	L	H	L	Logic Low
H	L	H	L	H	Logic High
H	H	X	X	X	Undefined

X = Undefined



## 4 Maximum ratings

**Table 6. Absolute maximum ratings**

Symbol	Parameter	Value	Unit
V <sub>BUS</sub>	Supply Voltage	6	V
V+	All other Inputs	-0.5 to 4.6	V
I <sub>O</sub>	Output Current (D+, D-)	± 50	mA
I <sub>O</sub>	Output Current (all others)	± 15	mA
I <sub>I</sub>	Input Current	± 50	mA
ESD	D+, D-, HBM (Note 3)	± 14	kV
	V <sub>BUS</sub> (Note 3)	± 5	
	All other pins (Note 3)	± 2	
T <sub>STG</sub>	Storage Temperature Range	-65 to + 150	°C
T <sub>OPR</sub>	Operating Temperature Range	-40 to + 85	°C

Absolute Maximum Ratings are those values beyond which damage to the device may occur. Functional Operation under these conditions is not implied.

Note 3. Devices are ESD sensitive. Handling precautions recommended. Human body model, 1.5k in series with 100pF.

**Table 7. Thermal data**

Symbol	Parameter	Value	Unit
R <sub>thJA</sub>	Thermal Resistance Junction-Ambient	59	°C/W

## 5 Electrical characteristics

**Table 8. DC electrical characteristics (system and USB interface)** ( $V_{IF} = 3.6V$ ,  $V_{BUS} = 5V$  unless otherwise noted;  $T_A = 25^\circ C$ , specifications over temperature,  $-40$  to  $85^\circ C$ )

Symbol	Parameter	Test conditions	Min.	Typ.	Max.	Unit
$V_{BUS}$	USB Supply Voltage		4		5.5	V
$V_{IF}$	System I/F Supply Voltage		1.6		3.6	V
$V_{IL}$	Low Level Input Voltage (Note 4)				$0.15V_{IF}$	V
$V_{IH}$	High Level Input Voltage (Note 4)		$0.85V_{IF}$			V
$V_{OL}$	Low Level Output Voltage (Note 4)	$I_{OL} = 20\mu A$	0		100	mV
$V_{OH}$	High Level Output Voltage (Note 4)	$I_{OH} = -20\mu A$	$V_{IF}-100$		$V_{IF}$	mV
$I_{IL}$	Input Leakage Current (Note 4)		-5		5	$\mu A$
$I_{IF}$	$V_{IF}$ Supply Current (Note 7)	D+, D- are idle, SUS = 1			5	$\mu A$
		D+, D- active, $C_{LOAD} = 25pF$ , SPD=1, f=6MHz, OE#=1 (Note 5)			2	mA
		D+, D- active, $C_{LOAD} = 25pF$ , SPD=0, f=750kHz, OE#=1 (Note5)			220	$\mu A$
		D+, D- active, $C_{LOAD} = 25pF$ , SPD=1, f=6MHz, OE#=0 (Note 5)			0.8	mA
		D+, D- active, $C_{LOAD} = 25pF$ , SPD=0, f=750kHz, OE#=0 (Note 5)			120	$\mu A$
$I_{BUS}$	$V_{BUS}$ Supply Current	D+, D- are idle, $V_{BUS} = 5.25V$ Suspend Mode (SUS = 1), OE# = 1, SPD = 1			150	$\mu A$
		D+, D- are idle, $V_{BUS} = 5.25V$ SPD = 1, SUS = 0			5	mA
		D+, D- are idle, $V_{BUS} = 5.25V$ SPD = SUS = 0			3.5	mA
		D+, D- active, $V_{BUS} = 5.25V$ $C_{LOAD} = 50pF$ , SPD = 1, f = 6 MHz OE# = SUS = 0 (Note 5)			8	mA
		D+, D- active, $V_{BUS} = 5.25V$ $C_{LOAD} = 50pF$ , f = 6 MHz, SUS = 0 OE# = SPD = 1 (Note 5)			6	
		D+, D- active, $V_{BUS} = 5.25V$ $C_{LOAD} = 600pF$ , f = 750 KHz, SUS = SPD = 0 (Note 5)			3.5	
$I_{VPULEAK}$	$V_{PU}$ Leakage Current	CON = 0, $V_{PU} = 0V$	-5		5	$\mu A$
$I_{VIFLEAK}$	$V_{IF}$ Leakage Current	$V_{IF} = 3.6V$ , $V_{BUS} = 0V$	-5		5	$\mu A$
$V_{PU}$	Pull-Up Output Voltage	$I_{TERM} = 200\mu A$ , $V_{BUS} = 4$ to $5.25V$	3		3.6	V
$R_{SW}$	$V_{PU}$ Internal Switch Resistance	$I_{TERM} = 10mA$ , $V_{BUS} = 4$ to $5.25V$	6		11	$\Omega$
$V_{BUSDET}$	$V_{BUS}$ Comparator threshold	Supply present	4			V
		Supply lost			3.6	

Note 1. Exceeding the absolute maximum rating may damage the device.

Note 2. The device is not guaranteed to function outside its operating rating.

Note 3. Devices are ESD sensitive. Handling precautions recommended. Human body model, 1.5k in series with 100pF.

Note 4. Specification applies to the following pins: SUS, SPD, RCV, CON, VP, VM, OE#, VBUSDET.

Note 5. Characterized specification(s), but not production tested.

Note 6. All AC parameters guaranteed by design but not production tested.

Note 7. RCV NOT LOADED



**Table 9. DC electrical characteristics (system and USB interface)**  
 ( $V_{IF} = 3.6V$ ,  $V_{BUS} = 5V$  unless otherwise noted;  $T_A = 25^\circ C$ )

Symbol	Parameter	Test conditions	Min.	Typ.	Max.	Unit
$V_{BUS}$	USB Supply Voltage		4		5.5	V
$V_{IF}$	System I/F Supply Voltage		1.6		3.6	V
$V_{IL}$	Low Level Input Voltage (Note 4)				$0.15V_{IF}$	V
$V_{IH}$	High Level Input Voltage (Note 4)		$0.85V_{IF}$			V
$V_{OL}$	Low Level Output Voltage (Note 4)	$I_{OL} = 20\mu A$			0.1	V
$V_{OH}$	High Level Output Voltage (Note 4)	$I_{OH} = 20\mu A$	$0.9V_{IF}$			V
$I_{IL}$	Input Leakage Current (Note 4)		-5		5	$\mu A$
$I_{IF}$	$V_{IF}$ Supply Current (Note 7)	D+, D- are idle, SUS = 1			5	$\mu A$
		D+, D- active, $C_{LOAD} = 25pF$ , SPD=1, f=6MHz, OE#=1 (Note 5)		1.3		mA
		D+, D- active, $C_{LOAD} = 25pF$ , SPD=0, f=750kHz, OE#=1 (Note5)		180		$\mu A$
		D+, D- active, $C_{LOAD} = 25pF$ , SPD=1, f=6MHz, OE#=0 (Note 5)		0.4		mA
		D+, D- active, $C_{LOAD} = 25pF$ , SPD=0, f=750kHz, OE#=0 (Note 5)		67		$\mu A$
$I_{BUS}$	$V_{BUS}$ Supply Current	D+, D- are idle, $V_{BUS} = 5.25V$ Suspend Mode (SUS = 1), OE# = 1, SPD = 1		88	100	$\mu A$
		D+, D- are idle, $V_{BUS} = 5.25V$ SPD = 1, SUS = 0		4.7		mA
		D+, D- are idle, $V_{BUS} = 5.25V$ SPD = SUS = 0		3		mA
		D+, D- active, $V_{BUS} = 5.25V$ $C_{LOAD} = 50pF$ , SPD = 1, f = 6 MHz OE# = SUS = 0 (Note 5)		5.5		mA
		D+, D- active, $V_{BUS} = 5.25V$ $C_{LOAD} = 50pF$ , f = 6 MHz, SUS = 0 OE# = SPD = 1 (Note 5)		5.2		
		D+, D- active, $V_{BUS} = 5.25V$ $C_{LOAD} = 600pF$ , f = 750 KHz, SUS = SPD = 0 (Note 5)		3		
$I_{VPULEAK}$	$V_{PU}$ Leakage Current	CON = 1, $V_{PU} = 0V$	-5		5	$\mu A$
$I_{VIFLEAK}$	$V_{IF}$ Leakage Current	$V_{IF} = 3.6V$ , $V_{BUS} = 0V$	-5		5	$\mu A$
$V_{PU}$	Pull-Up Output Voltage	$I_{TERM} = 200\mu A$ , $V_{BUS} = 4$ to $5.25V$		3.3		V
$R_{SW}$	$V_{PU}$ Internal Switch Resistance	$I_{TERM} = 10mA$ , $V_{BUS} = 4$ to $5.25V$		9		$\Omega$
$V_{BUSDET}$	$V_{BUS}$ Comparator threshold	Supply present	4			V
		Supply lost			3.6	

Note 1. Exceeding the absolute maximum rating may damage the device.

Note 2. The device is not guaranteed to function outside its operating rating.

Note 3. Devices are ESD sensitive. Handling precautions recommended. Human body model, 1.5k in series with 100pF.

Note 4. Specification applies to the following pins: SUS, SPD, RCV, CON, VP, VM, OE#, VBUSDDET.

Note 5. Characterized specification(s), but not production tested.

Note 6. All AC parameters guaranteed by design but not production tested.

Note 7. RCV NOT LOADED



**Table 10. ESD performance**

Symbol	Parameter	Test conditions	Min.	Typ.	Max.	Unit
ESD	IEC-1000-4-2 (D+, D-)	Air Discharge (10 pulses)		±8		KV
		Contact Discharge (10 pulses)		±6		
	IEC-1000-4-2 (V <sub>BUS</sub> only)	Air Discharge (10 pulses)		±5		
		Contact Discharge (10 pulses)		±5		

**Table 11. DC electrical characteristics (transceiver)**

(V<sub>IF</sub> = 3.6V, V<sub>BUS</sub> = 5V unless otherwise noted; T<sub>A</sub> = 25°C, specifications over temperature, -40 to 85°C)

Symbol	Parameter	Test conditions	Min.	Typ.	Max.	Unit
I <sub>LO</sub>	Hi-Z State Data Line Leakage (Suspend Mode)	V <sub>I</sub> = 0 to 3.3 V, SUS = 1	-10		10	μA
V <sub>DI</sub>	Differential Input Sensitivity	I(D+) - (D-)	0.2			V
V <sub>CM</sub>	Differential Common Mode Range	Includes V <sub>DI</sub> range	0.8		2.5	V
V <sub>SE</sub>	Single Ended Receiver Threshold	Low to high transition	0.8	1.6	2.0	V
		High to low transition	0.8	1.1	2.0	V
V <sub>RHYS</sub>	Receiver Hysteresis	V <sub>CM</sub> = 0.8 V		100		mV
V <sub>OL</sub>	Static Output Low	R <sub>L</sub> = 1.5 KΩ at 3.6V (see test circuit)	0		0.3	V
V <sub>OH</sub>	Static Output High	R <sub>L</sub> = 15 KΩ at GND (see test circuit)	2.8		3.6	V
C <sub>I</sub>	Transceiver Capacitance	Pin to GND		25		pF
Z <sub>DRV</sub>	Driver Output Resistance	Steady state drive	8		24	Ω
R <sub>PU_D+</sub>	D+ Data line pull-up resistance	BUS idle	900		1575	Ω
		Receive mode	1425		3090	

**Table 12. DC electrical characteristics (transceiver)**

(V<sub>IF</sub> = 3.6V, V<sub>BUS</sub> = 5V unless otherwise noted; T<sub>A</sub> = 25°C)

Symbol	Parameter	Test Conditions	Min.	Typ.	Max.	Unit
I <sub>LO</sub>	Hi-Z State Data Line Leakage (Suspend Mode)	V <sub>I</sub> = 0 to 3.3 V, SUS = 1	-2		2	μA
V <sub>DI</sub>	Differential Input Sensitivity	I(D+) - (D-)	0.2			V
V <sub>CM</sub>	Differential Common Mode Range	Includes V <sub>DI</sub> range	0.8		2.5	V
V <sub>SE</sub>	Single Ended Receiver Threshold	Low to high transition	0.8	1.6	2.0	V
		High to low transition	0.8	1.1	2.0	V
V <sub>RHYS</sub>	Receiver Hysteresis	V <sub>CM</sub> = 0.8 V		50		mV
V <sub>OL</sub>	Static Output Low	R <sub>L</sub> = 1.5 KΩ at 3.6V (see <a href="#">Test circuits</a> )			0.3	V
V <sub>OH</sub>	Static Output High	R <sub>L</sub> = 15 KΩ at GND (see <a href="#">Test circuits</a> )	2.8		3.6	V
C <sub>I</sub>	Transceiver Capacitance <sup>(3)</sup>	Pin to GND		25		pF
Z <sub>DRV</sub>	Driver Output Resistance	Steady state drive		16		Ω
R <sub>PU_D+</sub>	D+ Data line pull-up resistance	BUS idle		1300		Ω
		Receive mode		2200		

(3) Pins D+, D-

**Table 13. AC electrical characteristics**(V<sub>IF</sub> = 3.6V, V<sub>BUS</sub> = 5V unless otherwise noted; T<sub>A</sub> = 25°C.) (Note 6)

Symbol	Parameter	Test Conditions	Min.	Typ.	Max.	Unit
T <sub>R</sub>	Transition Rise Time (LOW SPEED)	C <sub>L</sub> = 50pF ( <a href="#">Figure 5</a> )	75			ns
		C <sub>L</sub> = 600pF			300	
T <sub>F</sub>	Transition Fall Time (LOW SPEED)	C <sub>L</sub> = 50pF ( <a href="#">Figure 5</a> )	75			ns
		C <sub>L</sub> = 600pF			300	
T <sub>RFM</sub>	Rise/Fall Time Matching (LOW SPEED)	(T <sub>R</sub> , T <sub>F</sub> )	80		125	%
V <sub>CRS</sub>	Output Signal Crossover Voltage (LOW SPEED)		1.3		2	V
T <sub>R</sub>	Transition Rise Time (FULL SPEED)	C <sub>L</sub> = 50pF ( <a href="#">Figure 5</a> )	4		20	ns
T <sub>F</sub>	Transition Fall Time (FULL SPEED)	C <sub>L</sub> = 50pF ( <a href="#">Figure 5</a> )	4		20	ns
T <sub>RFM</sub>	Rise/Fall Time Matching (FULL SPEED)	(T <sub>R</sub> , T <sub>F</sub> )	90		111.11	%
V <sub>CRS</sub>	Output Signal Crossover Voltage (FULL SPEED)		1.3		2	V
t <sub>TA_OI</sub>	Output to input turnaround time	<a href="#">Figure 4.</a>	0		5	ns
t <sub>TA_IO</sub>	Output to input turnaround time	<a href="#">Figure 4.</a>	0		5	ns
t <sub>PZH</sub> , t <sub>PZL</sub>	Driver enable delay	FS, <a href="#">Figure 3.</a>	50			ns
t <sub>PLZ</sub> , t <sub>PHZ</sub>	Driver disable delay	FS, <a href="#">Figure 3.</a>	50			ns
t <sub>PLH</sub> t <sub>PHL</sub>	VP, VM to D+, D- Propagation Delay	FS, C <sub>L</sub> = 50pF			55	ns
		LS, C <sub>L</sub> = 600pF			300	ns
t <sub>PLH</sub> t <sub>PHL</sub>	D+, D- to RCV Propagation Delay	FS, input slope = 15 ns			18	ns
t <sub>PLH</sub> t <sub>PHL</sub>	D+, D- to VP, VM Propagation Delay	FS, input slope = 15 ns			24	ns

Note 1. Exceeding the absolute maximum rating may damage the device.

Note 2. The device is not guaranteed to function outside its operating rating.

Note 3. Devices are ESD sensitive. Handling precautions recommended. Human body model, 1.5k in series with 100pF.

Note 4. Specification applies to the following pins: SUS, SPD, RCV, CON, RCV, VP, VM, OE#.

Note 5. Characterized specification(s), but not production tested.

Note 6. All AC parameters guaranteed by design but not production tested.

## 6 Timing diagram

Figure 3. Driver enable and disable delay

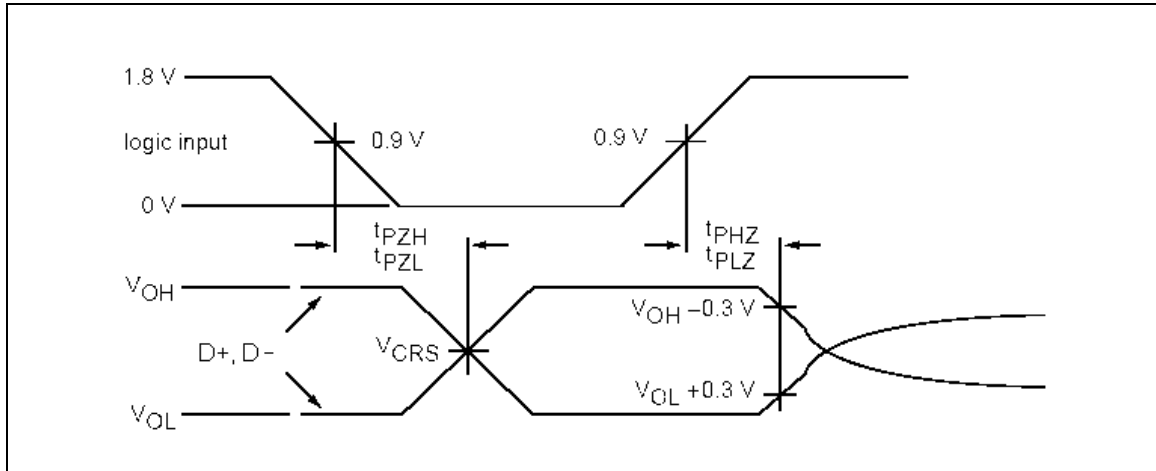


Figure 4. Turnaround time

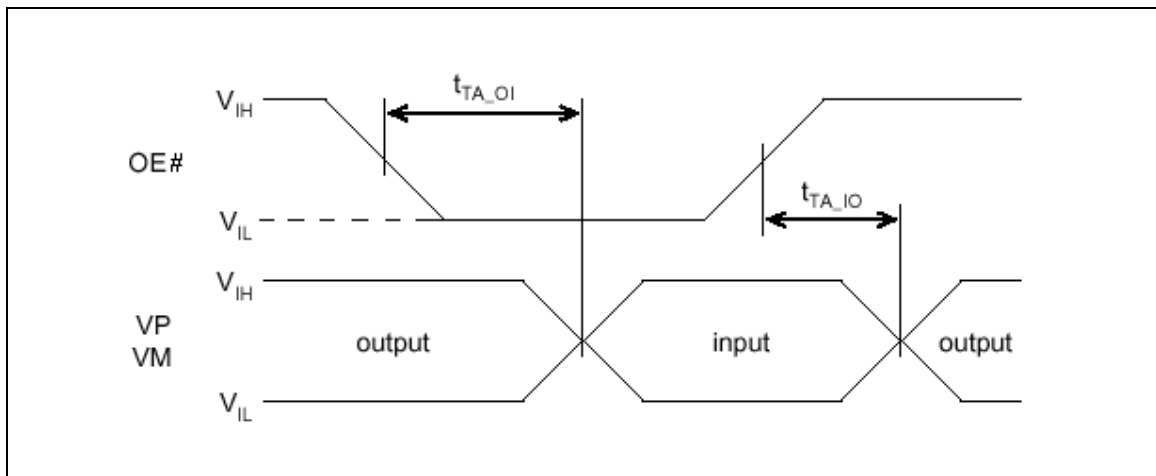
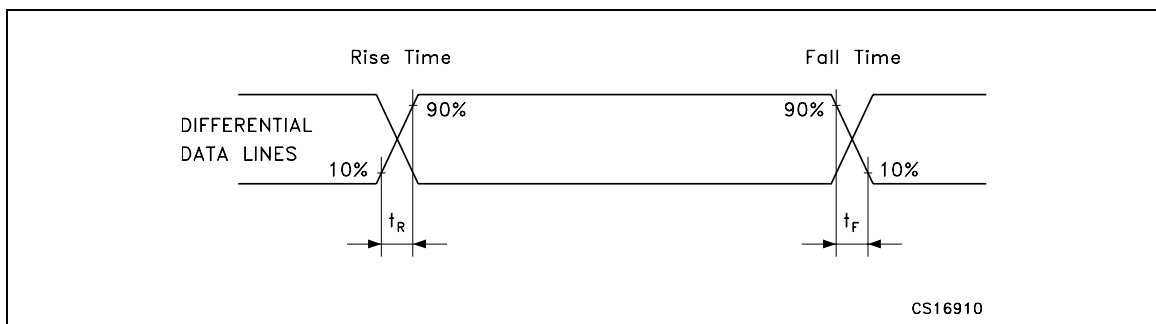


Figure 5. Rise and fall times



CS16910

Figure 6. Receiver propagation delay

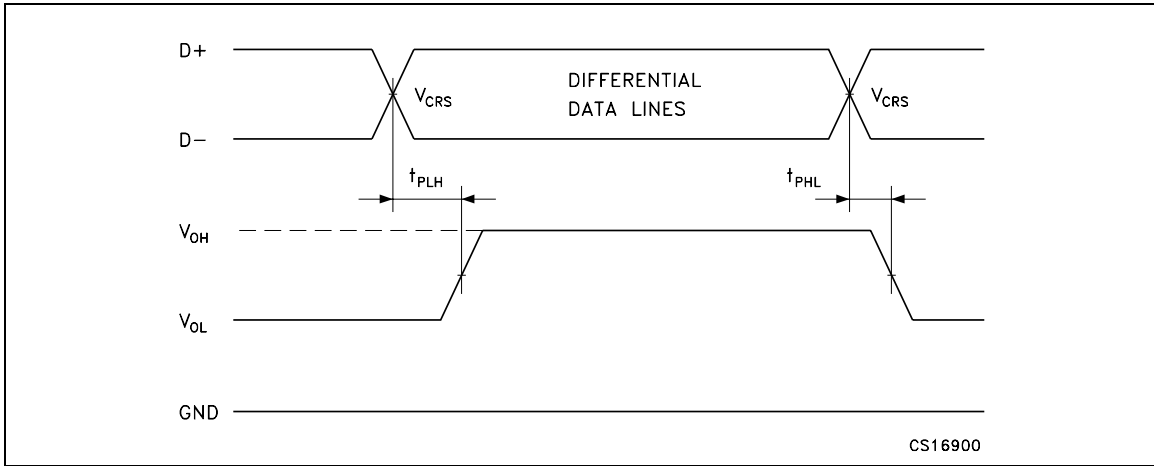
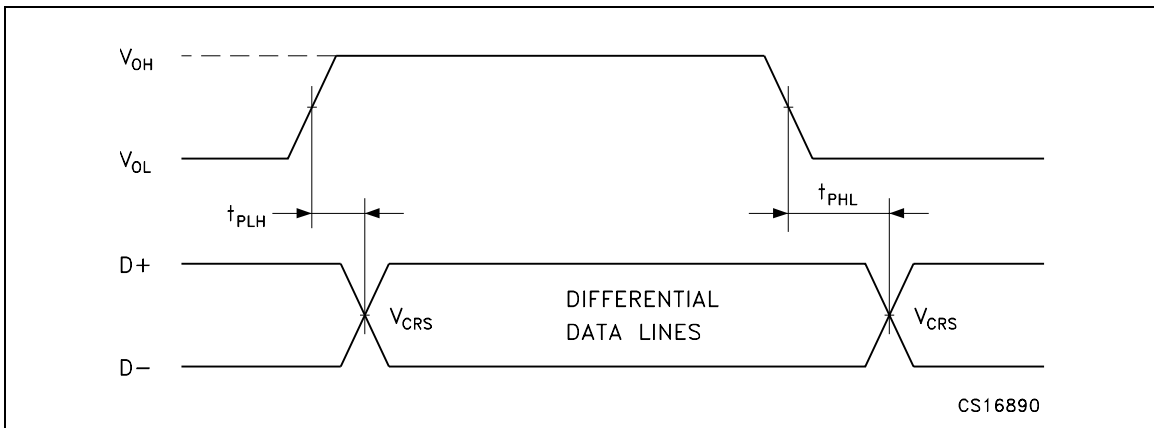
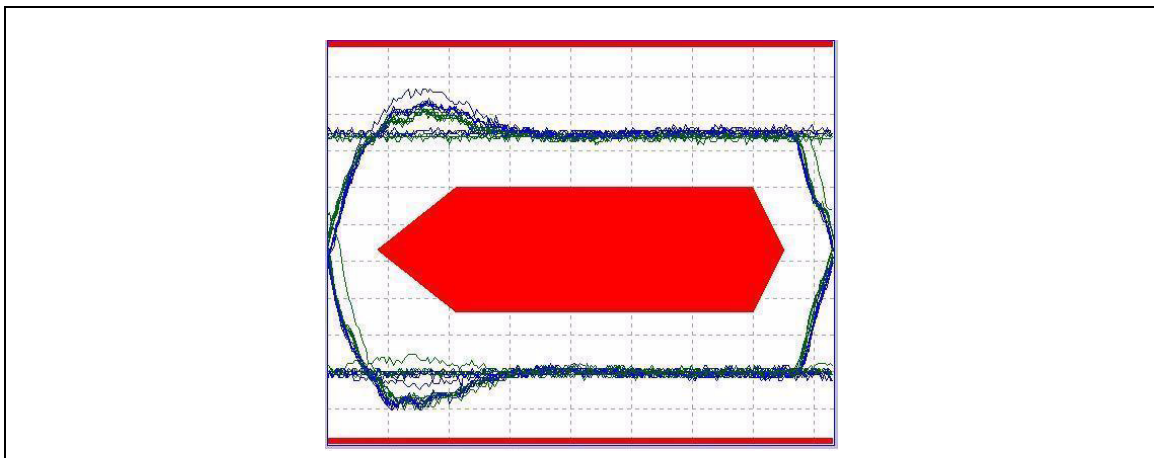


Figure 7. Driver propagation delay (C<sub>L</sub> = 50pF)



Minimum Timing LS and maximum timing FS

Figure 8. FS eye diagram



## 7 Test circuits

Figure 9. Load for VP, VM, RCV

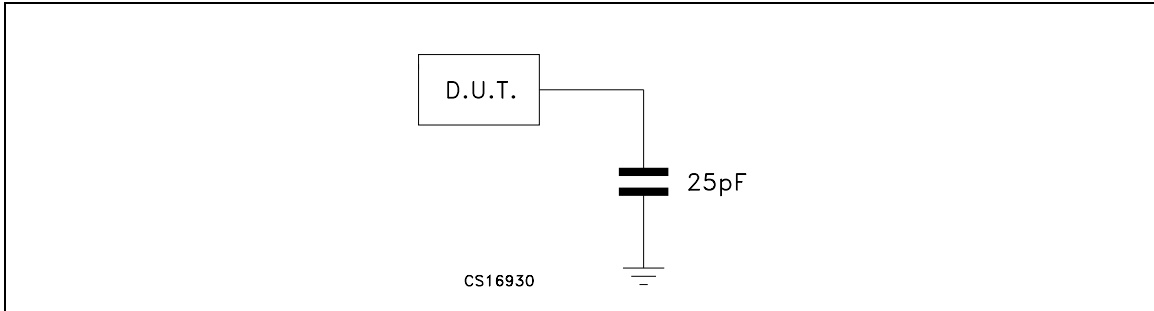


Figure 10. Load for D+, D-

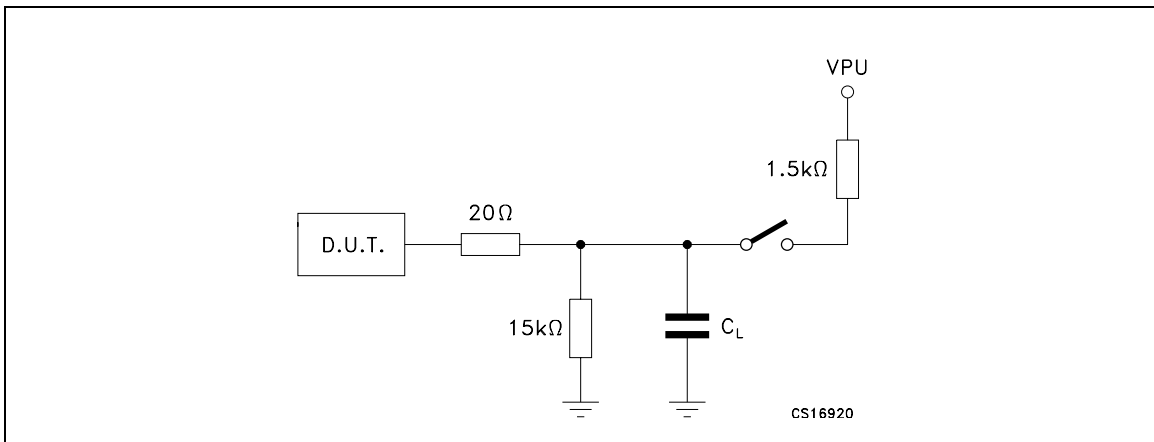
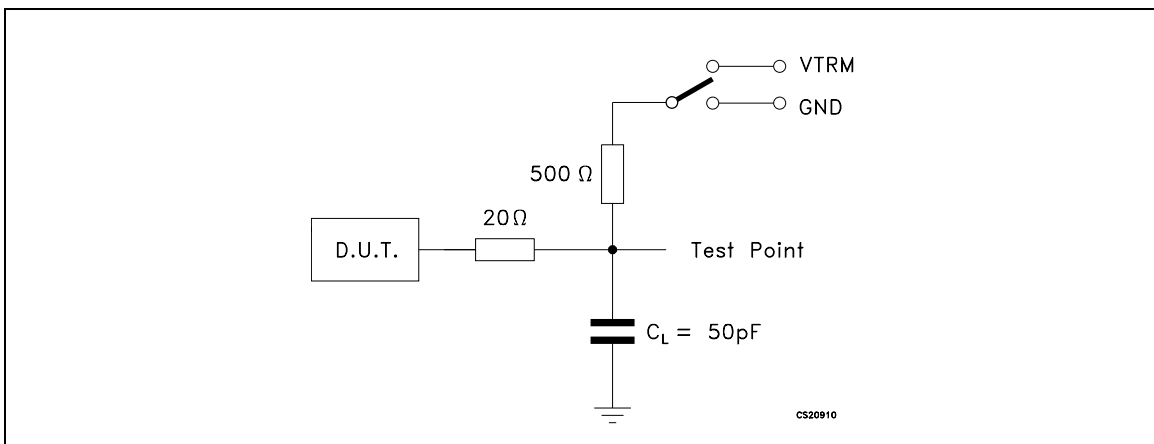
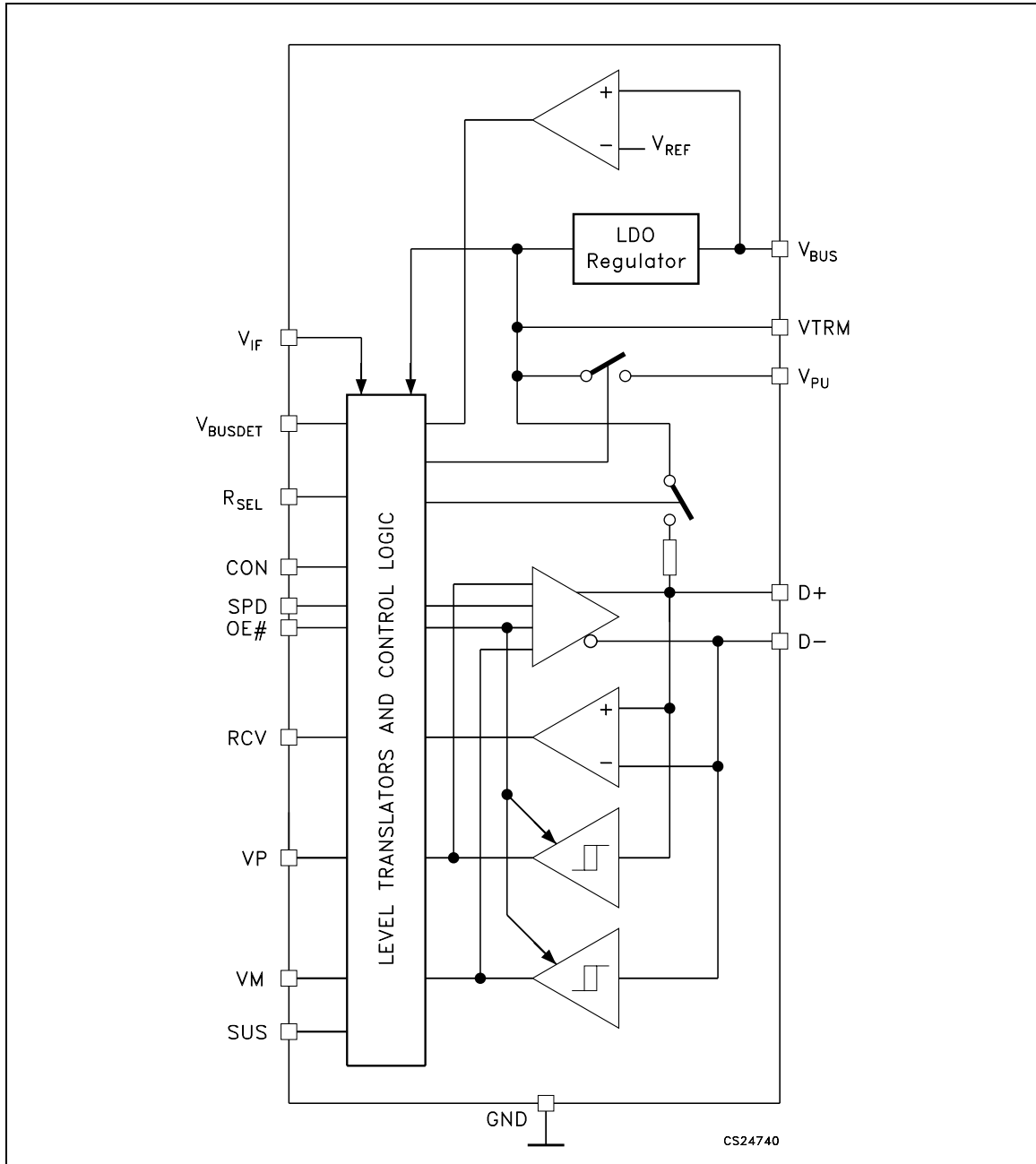


Figure 11. Enable and disable time circuit



Switch = GND for  $t_{PZH}$  and  $t_{PHZ}$ ; V = VTRM for  $t_{PZL}$  and  $t_{PLZ}$

Figure 12. Functional diagram



## 8 Functional description

The STUSB03E is designed to provide USB connectivity in mobile systems where available system supply voltages are not able to satisfy USB requirements. The STUSB03E can operate down to supply voltages of 1.6V and still meet USB physical layer specifications. As shown in the circuit above, the STUSB03E takes advantage of the USB supply voltage,  $V_{BUS}$ , to operate the transceiver. The system voltage,  $V_{IF}$  is used to set the reference voltage used by the digital I/O lines interfacing to the system controller. Internal circuitry provides translation between the USB and system voltage domains.  $V_{IF}$  will typically be the main supply voltage rail for the controller.

In addition, a 3.3V, 10% termination supply voltage,  $V_{PU}$ , is provided to support speed selection.  $V_{PU}$  can be disabled or enabled under software control via the CON input. This allows for software-controlled connect or disconnect states. A 1.5K resistor is required to be connected between this pin and the D- line when operating in low speed mode. In full speed mode either an internal pull-up resistor or an external one connected between  $V_{PU}$  pin and D+ line can be used; the desired configuration is chosen by tying  $R_{SEL}$  pin to  $V_{IF}$  or GND.

The use of ESD transient protection devices is not required for operation, but is recommended.

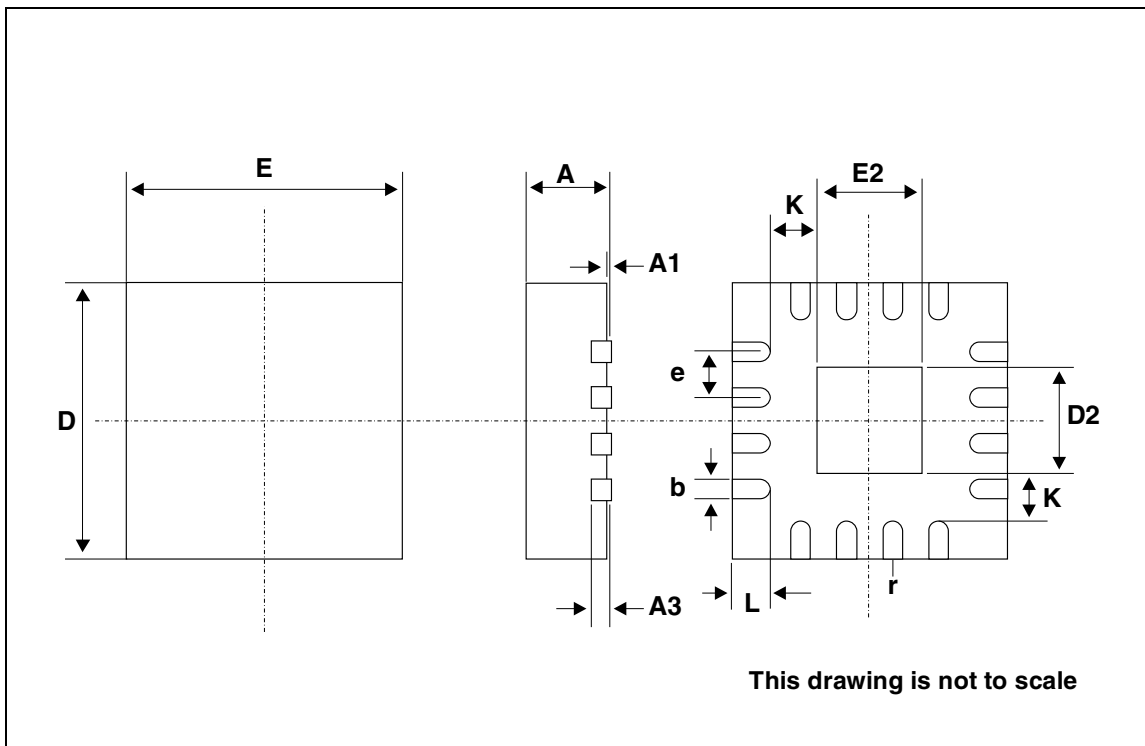
## 9 Package mechanical data

In order to meet environmental requirements, ST offers these devices in ECOPACK® packages. These packages have a Lead-free second level interconnect. The category of second Level Interconnect is marked on the package and on the inner box label, in compliance with JEDEC Standard JESD97. The maximum ratings related to soldering conditions are also marked on the inner box label. ECOPACK is an ST trademark. ECOPACK specifications are available at: [www.st.com](http://www.st.com).



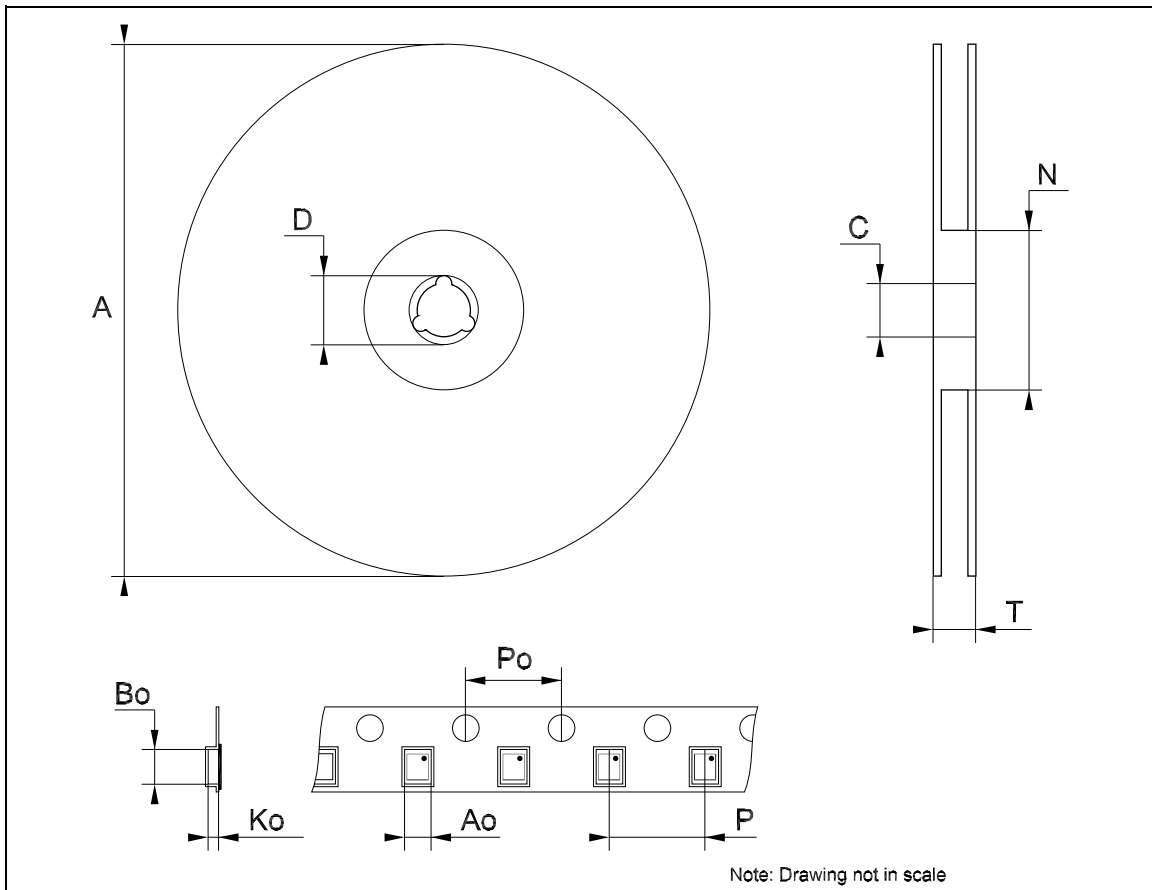
### QFN16 (3mmx3mm) MECHANICAL DATA

DIM.	mm.			inch		
	MIN.	TYP	MAX.	MIN.	TYP.	MAX.
A	0.80	0.90	1.00	0.032	0.035	0.039
A1		0.02	0.05		0.001	0.002
A3		0.20			0.008	
b	0.18	0.25	0.30	0.007	0.010	0.012
D		3.00			0.118	
D2	1.55	1.70	1.80	0.061	0.067	0.071
E		3.00			0.118	
E2	1.55	1.70	1.80	0.061	0.067	0.071
e		0.50			0.020	
K		0.20			0.008	
L	0.30	0.40	0.50	0.012	0.016	0.020
r	0.09			0.006		



**Tape & Reel QFNxx/DFNxx (3x3) MECHANICAL DATA**

DIM.	mm.			inch		
	MIN.	TYP	MAX.	MIN.	TYP.	MAX.
A			330			12.992
C	12.8		13.2	0.504		0.519
D	20.2			0.795		
N	60			2.362		
T			18.4			0.724
Ao		3.3			0.130	
Bo		3.3			0.130	
Ko		1.1			0.043	
Po		4			0.157	
P		8			0.315	



## 10 Revision history

**Table 14. Revision history**

Date	Revision	Changes
31-Oct-2006	1	First Release.
14-Mar-2007	2	Update tape & reel.

**Please Read Carefully:**

Information in this document is provided solely in connection with ST products. STMicroelectronics NV and its subsidiaries ("ST") reserve the right to make changes, corrections, modifications or improvements, to this document, and the products and services described herein at any time, without notice.

All ST products are sold pursuant to ST's terms and conditions of sale.

Purchasers are solely responsible for the choice, selection and use of the ST products and services described herein, and ST assumes no liability whatsoever relating to the choice, selection or use of the ST products and services described herein.

No license, express or implied, by estoppel or otherwise, to any intellectual property rights is granted under this document. If any part of this document refers to any third party products or services it shall not be deemed a license grant by ST for the use of such third party products or services, or any intellectual property contained therein or considered as a warranty covering the use in any manner whatsoever of such third party products or services or any intellectual property contained therein.

**UNLESS OTHERWISE SET FORTH IN ST'S TERMS AND CONDITIONS OF SALE ST DISCLAIMS ANY EXPRESS OR IMPLIED WARRANTY WITH RESPECT TO THE USE AND/OR SALE OF ST PRODUCTS INCLUDING WITHOUT LIMITATION IMPLIED WARRANTIES OF MERCHANTABILITY, FITNESS FOR A PARTICULAR PURPOSE (AND THEIR EQUIVALENTS UNDER THE LAWS OF ANY JURISDICTION), OR INFRINGEMENT OF ANY PATENT, COPYRIGHT OR OTHER INTELLECTUAL PROPERTY RIGHT.**

**UNLESS EXPRESSLY APPROVED IN WRITING BY AN AUTHORIZED ST REPRESENTATIVE, ST PRODUCTS ARE NOT RECOMMENDED, AUTHORIZED OR WARRANTED FOR USE IN MILITARY, AIR CRAFT, SPACE, LIFE SAVING, OR LIFE SUSTAINING APPLICATIONS, NOR IN PRODUCTS OR SYSTEMS WHERE FAILURE OR MALFUNCTION MAY RESULT IN PERSONAL INJURY, DEATH, OR SEVERE PROPERTY OR ENVIRONMENTAL DAMAGE. ST PRODUCTS WHICH ARE NOT SPECIFIED AS "AUTOMOTIVE GRADE" MAY ONLY BE USED IN AUTOMOTIVE APPLICATIONS AT USER'S OWN RISK.**

Resale of ST products with provisions different from the statements and/or technical features set forth in this document shall immediately void any warranty granted by ST for the ST product or service described herein and shall not create or extend in any manner whatsoever, any liability of ST.

ST and the ST logo are trademarks or registered trademarks of ST in various countries.

Information in this document supersedes and replaces all information previously supplied.

The ST logo is a registered trademark of STMicroelectronics. All other names are the property of their respective owners.

© 2007 STMicroelectronics - All rights reserved

STMicroelectronics group of companies

Australia - Belgium - Brazil - Canada - China - Czech Republic - Finland - France - Germany - Hong Kong - India - Israel - Italy - Japan - Malaysia - Malta - Morocco - Singapore - Spain - Sweden - Switzerland - United Kingdom - United States of America

[www.st.com](http://www.st.com)