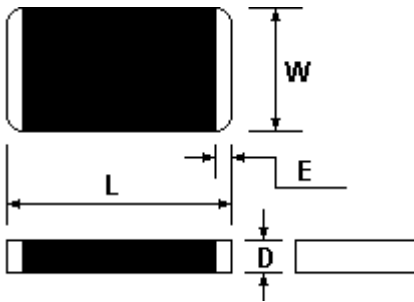


Multilayer Ceramic SMD Varistor

TPI 0805 Surface Mount ML-C Series

TPI Model Number	Working Voltage (MAX)		Breakdown Voltage	Peak Current (MAX)	Clamping Voltage (MAX)		Energy Absorption (MAX)	Typical Capacitance
	AC (V _{RMS})	DC (V)			(A)	(V)		
Unit Condition			1mA (V)	8/20μ s (A)	(A)	(V)	10/1000μ s (J)	1KHz (pF)
TPI0805ML050C	2.5	3.3	5(4.0~6.0)	40	1	10	0.1	1300~2500
TPI0805ML080C	4	5.5	8(6.4~9.6)	80	1	16	0.1	1000~1250
TPI0805ML120C	6	9	12(9.6~14.4)	80	1	20	0.1	600~800
TPI0805ML150C	8	11	15(12.75~17.25)	80	1	25	0.1	500~700
TPI0805ML180C	11	14	18(15.3~20.7)	80	1	30	0.1	400~650
TPI0805ML220C	12	16.5	22(19.8~24.2)	80	1	30	0.2	350~550
TPI0805ML240C	14	18	24(21.6~27)	80	1	39	0.2	300~400
TPI0805ML270C	17	22	27(24.3~29.8)	80	1	44	0.2	270~380
TPI0805ML330C	20	26	33(31.5~38)	100	1	54	0.3	250~350
TPI0805ML390C	25	30	39(36~45)	100	1	65	0.3	230~320
TPI0805ML470C	30	38	47(42.3~51.7)	100	1	77	0.3	150~250
TPI0805ML560C	35	45	56(50.4~61.6)	100	1	90	0.3	120~200



Type	L mm	W mm	D mm	E mm
TPI 0805 ML	2.0±0.20	1.25±0.15	1.2 max	0.3+0.1/-0.1

NOTES :

1. Tolerance of breakdown Voltage : 5~12V=±20%, 15~18V=±15%, 22~56V=±10%
2. Typical leakage at 25 °C < 50μA, maximum leakage 100μA.
3. Average power dissipation of transients for 0805 < 0.10W
4. In order to satisfy the applications of customer in various fields, the capacitance range can be designed during manufacturing according to the request, please contact our sales department if needed.