

## ENGINEERING SPECIFICATIONS

### TFT COLOR LCD MODULE

### TM100SV-02L03

- 25cm (10.0 inch) diagonal
- SVGA resolution (800 x 600 dots)
- TTL interface
- Within CFL backlight unit
- Nonglare surface type
- With touch panel

(TENTATIVE)

Ver.1 Feb. 26, 2001

Tottori SANYO Electric Co., Ltd.  
Electronic Device Business Headquarters  
LCD Division

3-201, Minami-yoshikata, Tottori, 680-8634 Japan

TEL: 81-857-21-2941, 1958

FAX: 81-857-21-2162

Department Manager

S. Iwasaki

Engineering Manager

N. Omote

## **NOTICES**

1. The contents stated in this document and the product may be subject to change without prior notice.  
When you kindly study to use this product, please ask us or our distributor for the latest information.
2. This product is developed and produced for usage onto normal electronic products (office automation equipments, communication peripherals, electric appliance products, game machines, etc.) and is not suitable for applications which need extremely high reliability and extreme safety (aero- or space-use machines, control equipments for nuclear power, life keeping equipments, etc.).
3. This document shall not grant or guarantee any right to adapt intellectual property or any other patents of third party.
4. Please use this product correctly according to operating conditions and precautions for use stated in this document.  
Please install safety proof in your designing to avoid human accident, fire accident and social damage, which may be resulted from malfunction of this product.
5. This product is not designed to withstand against radiant rays.
6. It is strictly prohibited to copy or publish a part or whole of this document without our prior written approval.

## **REVISION HISTORY**

DATE	REVISION NO.	PAGE	DESCRIPTIONS
Feb.26,01	Ver. 1	-	Initial Release

## MECHANICAL CHARACTERISTICS

Ta=25 degC

ITEM	SPECIFICATION	UNIT
Module size	236.0(W) x 168.0(H) x 7.15 typ.(t)	mm
Resolution	800 x RGB(W) x 600(H)	pixel
Sub pixel pitch	0.0845(W) x 0.2535(H)	mm
Pixel pitch	0.2535(W) x 0.2535(H)	mm
Active viewing area	202.8(W) x 152.1(H)	mm
Bezel opening area	207.2(W) x 156.5(H)	mm
Weight	390 TYP.	g

## ELECTRICAL ABSOLUTE MAXIMUM RATINGS

Ta=25 degC

ITEM	SYMBOL	MIN	MAX	UNIT	NOTE
Power supply voltage	VDD-VSS	-0.3	4.0	V	
Input voltage	VI	VSS-0.3	VDD+0.3	V	
CFL lamp current	IL	-	6.5	mA	

## ENVIRONMENTAL ABSOLUTE MAXIMUM RATINGS

Ta=25 degC

ITEM	SYMBOL	CONDITIONS	MIN	MAX	UNIT	NOTE
Ambient temperature	TST	Storage	-20	60	degC	Note 1
	TOP	Operation	0	50		
Humidity	-	Ta=40 degC max.	-	85	%RH	No condensation Note 2
Vibration	-	Storage	-	1.5	G	Note 3
Shock	-	Storage	-	50	G	XYZ 11ms/direction

[Note 1] Care should be taken so that the LCD module may not be subjected to the temperature beyond this specification.

[Note 2] Ta>40 degC: Absolute humidity shall be less than that of 85%RH/40 degC.

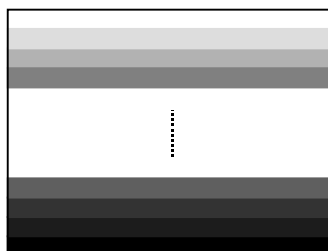
[Note 3] 10-200Hz, 30min/cycle, X/Y/Z each one cycle and except for resonant frequency.

## ELECTRICAL CHARACTERISTICS

VDD=3.3V ,fv=60Hz ,fCLK=40MHz ,Ta=25 degC

ITEM	SYMBOL	CONDITIONS	MIN	TYP	MAX	UNIT	NOTE
Power supply voltage	VDD-VSS		3.0	3.3	3.6	V	
Input logic voltage	VIH	High level	2.0	-	VDD	V	
	VIL	Low level	VSS	-	0.8		
Power Supply current	IDD	Note 1	-	250	370	mA	

[ Note 1 ] Typ. value : display pattern is 64 gray scale bar.



## **TOUCH PANEL SPECIFICATION**

### **OPERATING CONDITION**

Ta=25 degC

ITEM	CONDITIONS	MIN	TYP	MAX	UNIT	NOTE
Operating voltage		-	5.0	-	V <sub>DC</sub>	

### **ELECTRICAL CHARACTERISTICS**

Ta=25 degC

ITEM	SYMBOL	CONDITIONS	MIN	TYP	MAX	UNIT	NOTE
Resistance between terminal	Left-Right		TBD	-	TBD	ohm	
	Top-Bottom		TBD	-	TBD	ohm	
Insulation resistance	X-Y	25V <sub>DC</sub>	20	-	-	Mohm	
Linearity	X,Y		-	-	1.5	%	
chattering		Finger input pressure	-	-	10	ms	

### **MECHANICAL CHARACTERISTICS**

Ta=25 degC

ITEM	CONDITIONS	MIN	TYP	MAX	UNIT	NOTE
Pen/Finger input pressure		TBD	TBD	TBD	g	
Surface hardness		3	-	-	H	

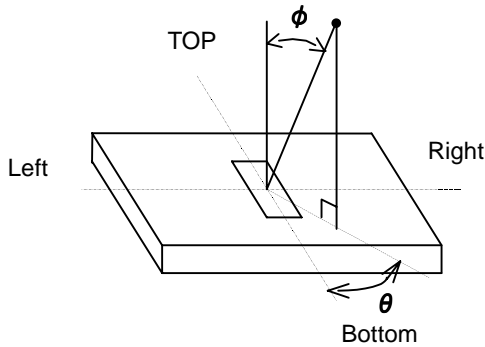
### **OPTICAL CHARACTERISTICS**

ITEM	CONDITIONS	MIN	TYP	MAX	UNIT	NOTE
Transparency		-	82	-	%	

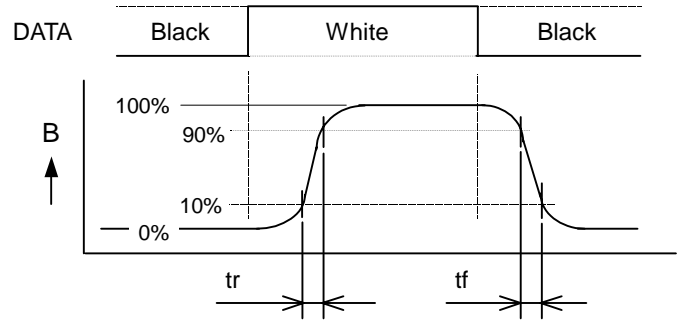
## OPTICAL CHARACTERISTICS

Ta=25 degC, VDD=3.3V, fv=60Hz

ITEM	SYMBOL	CONDITIONS	MIN	TYP	MAX	UNIT	NOTE	
Brightness	B	$\phi = 0$ deg.	100	150	-	cd/m <sup>2</sup>	Note5,6,7	
Contrast ratio	CR	$\phi = 0$ deg.	-	250	-	-	Note2,4,7	
Viewing angle range	$\phi$	CR>10	Bottom	30	40	-	deg.	Note 1,2,4,7
			Right	40	50	-		
			Top	10	20	-		
			Left	40	50	-		
Response time	Rise	tr	-	35	-	ms.	Note 3,4,7	
	Fall	tf	-	15	-			
Color of CIE Coordinate	Red	x	0.52	0.57	0.62	-	Note 4,7	
		y	0.30	0.35	0.40			
	Green	x	0.25	0.30	0.35			
		y	0.51	0.56	0.61			
	Blue	x	0.10	0.15	0.20			
		y	0.07	0.12	0.17			
	White	x	0.28	0.31	0.34			
		y	0.30	0.33	0.36			



[Note 1]  $\phi$



[Note 3] Response time

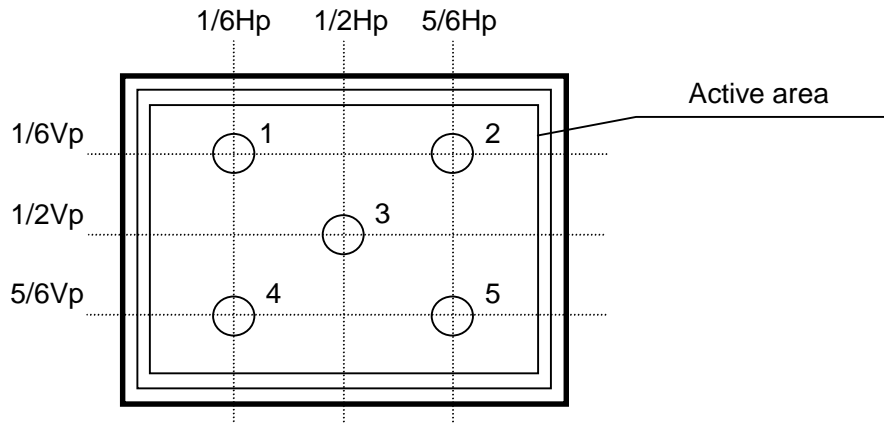
[Note 2] Contrast ratio "CR" is defined as :

$$CR = \frac{\text{Brightness at White}}{\text{Brightness at Black}}$$

[Note 4] This shall be measured at center (point No.3 shown in Note 6).

[Note 5] The brightness shall be the average of five points shown in Note 6.

[Note 6] Measurement points



Vp: Total Number of Vertical pixel  
Hp: Total Number of horizontal pixel

[Note 7] Measurement condition

- (1) Measurement equipment: BM-5A (TOPCON Corp.), Field=2 degree
- (2) Ambient temperature Ta: 25 +/- 2 degC
- (3) LCD: All pixels are WHITE, VDD=3.3V, fv=60Hz
- (4) Measure after 30 minutes of CFL warm up.
- (5) IL=6.0 mArms with the CFL inverter CXA-L0612A-VJL (TDK).

### BACKLIGHT CHARACTERISTICS

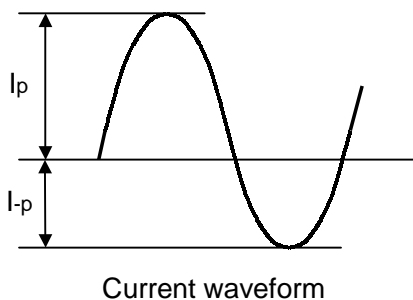
Ta=25 degC

ITEM	SYM.	CONDITIOS	MIN	TYP	MAX	UNIT	NOTE
Lamp voltage	VL		-	500	-	Vrms	at IL=6.0mArms
Lamp current	IL		3	-	6	mArms	Recommended value
Operating frequency	fL		40	60	65	kHz	Recommended value
Start up voltage	VS		-	-	1100	Vrms	at Ta=0 degC
Operating life	tOL		20000	-	-	Hours	at IL=6.0 mArms

[Note 1] Backlight driving conditions (operating frequency fL especially) may interfere with horizontal frequency fH, causing the beat or flicker on the display. Therefore the operating frequency fL shall be adjusted in relation to horizontal frequency fH to avoid interference.

[Note 2] The inverter open voltage should be larger than start up voltage, otherwise backlight may blinking for a moment after turns on or not be turned on. And this voltage should be applied to lamp for more than 1 second to start up, otherwise backlight may not be turned on.

[Note 3] If driving current waveform is asymmetrical, mercury deviation inside of CFL will incline to one side and consequently abnormal lighting may occur. To prevent such unfavorable lighting, driving current waveform is asked to have unbalance rate of less than 10% and wave-height rate of less than  $\sqrt{2}$  +/- 10%. And this driving waveform shall be confirmed in your system.



$$\text{Unbalance rate} = |I_p - I_{-p}| / I_L \times 100 (\%)$$

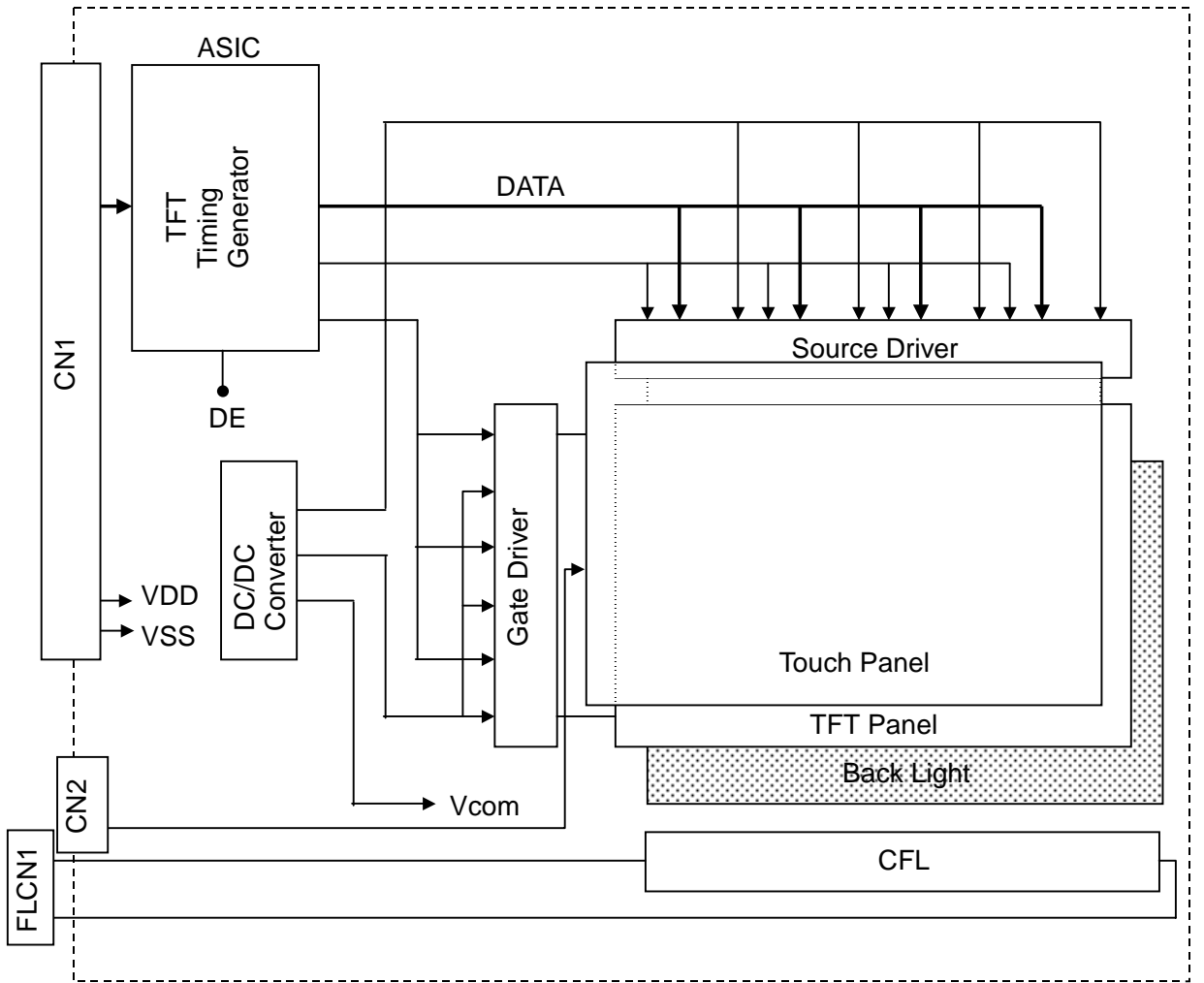
$$\text{Wave-height rate} = I_p \text{ (or } I_{-p}) / I_L$$

$I_p$  : High peak value

$I_{-p}$  : Low peak value

$I_L$  : Effective value

**BLOCK DIAGRAM**



## INTERFACE PIN CONNECTIONS

### LCM : CN1

PIN NO.	SYMBOL	FUNCTION
1	VDD	Power Supply ( 3.3V normal )
2	VDD	Power Supply ( 3.3V normal )
3	DE	Data Enable (positive)
4	VSS	Ground
5	B5	Blue Data (MSB)
6	B4	Blue Data
7	B3	Blue Data
8	B2	Blue Data
9	B1	Blue Data
10	B0	Blue Data (LSB)
11	VSS	Ground
12	G5	Green Data (MSB)
13	G4	Green Data
14	G3	Green Data
15	G2	Green Data
16	G1	Green Data
17	G0	Green Data (LSB)
18	VSS	Ground
19	R5	Red Data (MSB)
20	R4	Red Data
21	R3	Red Data
22	R2	Red Data
23	R1	Red Data
24	R0	Red Data (LSB)
25	VSS	Ground
26	VSS	Ground
27	VSS	Ground
28	VSS	Ground
29	DCLK	Data Clock
30	VSS	Ground

CN1 : DF19L-30P-1H (HIROSE)

Suitable mating connector: FPC type ; DF19G-30S-1F(HIROSE)

Cable type ; DF19G-30S-1C(HIROSE)

### Touch Panel : CN2

PIN NO.	FUNCTION
1	TOP
2	RIGHT
3	LEFT
4	BOTTOM

CN2 : FPC

Suitable mating connector: 52207-0490(MOLEX),52271-0491(MOLEX)

### Back Light : FLCN1

PIN NO.	SYMBOL	FUNCTION
1	H.V	High voltage for CFL
2	LGND	Low voltage for CFL

FLCN1 : BHSR-02VS-1 (JST)

Suitable mating connector: SM02B-BHSS-1 (JST)

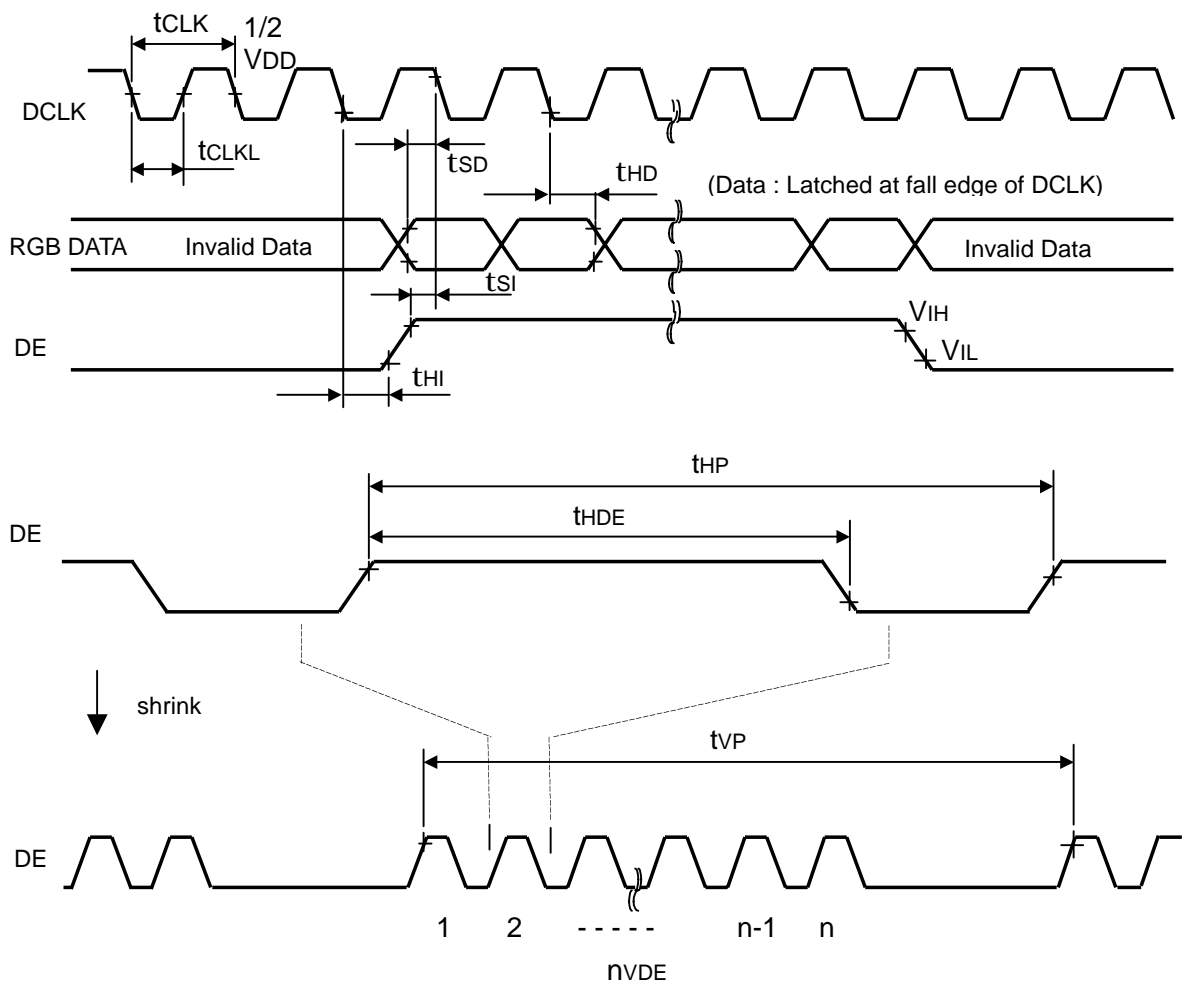


### INTERNAL SIGNAL TIMING PARAMETERS ( DE\_MODE )

PARAMETER		SYMBOL	MIN	TYP	MAX	UNIT	NOTE
DCLK	Frequency	fCLK	38	40	41	MHz	$T_{CLK}=1/f_{CLK}$
	Duty	D	(0.40)	0.50	(0.60)	-	$D=t_{CLKL}/t_{CLK}$
DE	Setup Time	tSI	4	-	-	ns	for DCLK
	Hold Time	tHI	2	-	-	ns	
	Horiz. Period	tHP	950	1056	1100	tCLK	
	Horiz. DE	tHDE	800	800	800	tCLK	
	Vert. Period	tVP	609	628	800	tHP	$f_v=60\text{Hz Typ.}$
DATA	Setup Time	tSD	3	-	-	ns	for DCLK
	Hold Time	tHD	3	-	-	ns	

[Note 1]  $f_H$  (Horizontal Frequency) =  $1/t_{HP}$   
 $f_V$  (Vertical Frequency) =  $1/t_{VP}$

### INTERNAL SIGNAL TIMING DIAGRAM ( DE\_MODE )



[Note 1]  $V_{IH} = 2.0V$ ,  $V_{IL} = 0.8V$

## RELATIONSHIP BETWEEN INPUT DATA AND DISPLAY COLOR

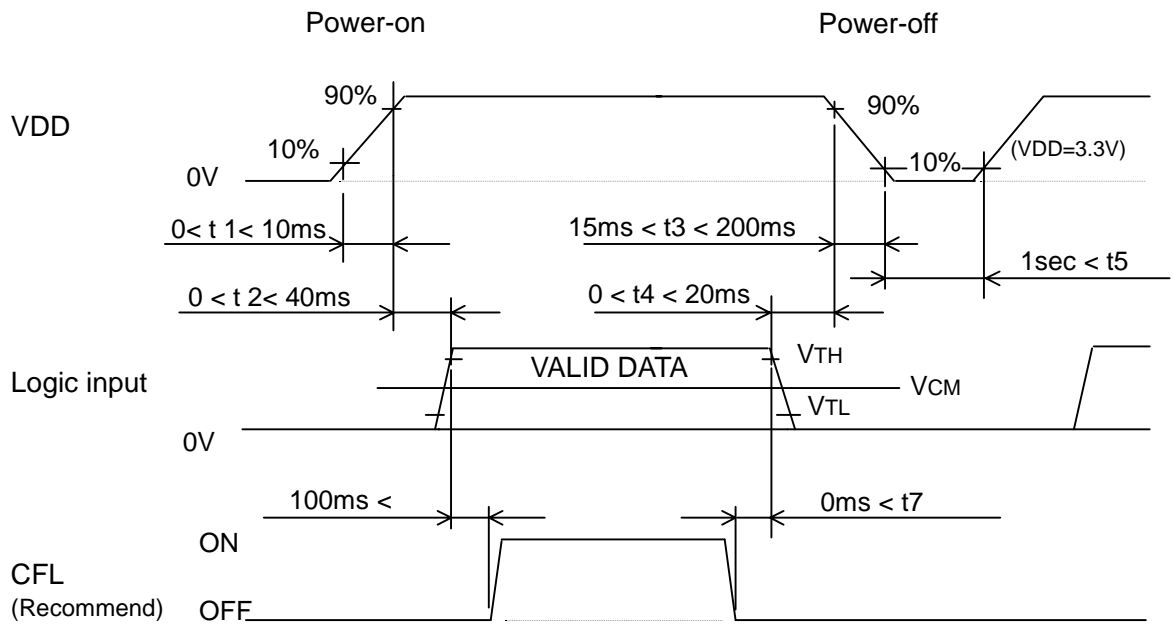
DISPLAY COLOR \ INPUT DATA		R DATA						G DATA						B DATA					
		MSB			LSB			MSB			LSB			MSB			LSB		
		R5	R4	R3	R2	R1	R0	G5	G4	G3	G2	G1	G0	B5	B4	B3	B2	B1	B0
BASIC COLOR	BLACK	L	L	L	L	L	L	L	L	L	L	L	L	L	L	L	L	L	L
	RED(63)	H	H	H	H	H	H	L	L	L	L	L	L	L	L	L	L	L	L
	GREEN(63)	L	L	L	L	L	L	H	H	H	H	H	H	L	L	L	L	L	L
	BLUE(63)	L	L	L	L	L	L	L	L	L	L	L	L	H	H	H	H	H	H
	CYAN	L	L	L	L	L	L	H	H	H	H	H	H	H	H	H	H	H	H
	MAGENTA	H	H	H	H	H	H	L	L	L	L	L	L	L	H	H	H	H	H
	YELLOW	H	H	H	H	H	H	H	H	H	H	H	H	L	L	L	L	L	L
	WHITE	H	H	H	H	H	H	H	H	H	H	H	H	H	H	H	H	H	H
RED	BLACK	L	L	L	L	L	L	L	L	L	L	L	L	L	L	L	L	L	L
	RED(1)	L	L	L	L	L	H	L	L	L	L	L	L	L	L	L	L	L	L
	RED(2)	L	L	L	L	H	L	L	L	L	L	L	L	L	L	L	L	L	L
	⋮																		
	⋮																		
	RED(61)	H	H	H	H	L	H	L	L	L	L	L	L	L	L	L	L	L	L
	RED(62)	H	H	H	H	H	L	L	L	L	L	L	L	L	L	L	L	L	L
	RED(63)	H	H	H	H	H	H	L	L	L	L	L	L	L	L	L	L	L	L
GREEN	BLACK	L	L	L	L	L	L	L	L	L	L	L	L	L	L	L	L	L	L
	GREEN(1)	L	L	L	L	L	L	L	L	L	L	L	H	L	L	L	L	L	L
	GREEN(2)	L	L	L	L	L	L	L	L	L	L	H	L	L	L	L	L	L	L
	⋮																		
	⋮																		
	GREEN(61)	L	L	L	L	L	L	H	H	H	H	L	H	L	L	L	L	L	L
	GREEN(62)	L	L	L	L	L	L	H	H	H	H	H	L	L	L	L	L	L	L
	GREEN(63)	L	L	L	L	L	L	H	H	H	H	H	H	L	L	L	L	L	L
BLUE	BLACK	L	L	L	L	L	L	L	L	L	L	L	L	L	L	L	L	L	L
	BLUE(1)	L	L	L	L	L	L	L	L	L	L	L	L	L	L	L	L	L	H
	BLUE(2)	L	L	L	L	L	L	L	L	L	L	L	L	L	L	L	L	H	L
	⋮																		
	⋮																		
	BLUE(61)	L	L	L	L	L	L	L	L	L	L	L	L	H	H	H	H	L	H
	BLUE(62)	L	L	L	L	L	L	L	L	L	L	L	L	H	H	H	H	H	L
	BLUE(63)	L	L	L	L	L	L	L	L	L	L	L	L	H	H	H	H	H	H

[Note 1] Color(n) --- 'n' indicates gray scale step.

## RELATIONSHIP BETWEEN INPUT DATA AND DISPLAY POSITION

1,1	1,2	1,3	⋯	1,799	1,800	
2,1	2,2	<div style="text-align: center;"> <span style="border: 1px solid black; padding: 2px;">Vp, Hp</span>    <span style="border: 1px solid black; padding: 2px;">R G B</span> </div>				2,800
3,1						
⋮						
⋮						
599,1					599,800	
600,1	600,2	⋯		600,799	600,800	

## POWER ON/OFF SEQUENCE REQUIREMENT



When the power is off, logic input must be kept at either low level or high impedance.

Power sequence for CFL (backlight) is not specified especially, however it is recommended to consider some timing difference between logic input as shown above.

If backlight lights on before LCD starts function, or if backlight is kept on after LCD stopped function, screen may look white for a moment or abnormal image may be displayed.

This is caused by variation in output signal from timing generator at logic input on or off. It does not cause damage to liquid crystal molecule and driving circuit.

## **PRECAUTIONS (INSTRUCTIONS FOR SAFE AND PROPER USE)**

### **1. Instructions for safety**

- (1) Please do not disassemble or modify LCD module to avoid the possibility of electric shock, damage of electronic components, scratch at display surface and invasion of foreign particles. In addition, such activity may result in fire accident due to burning of electronic component.  
LCD module disassembled or modified by customer is out of warranty.
- (2) Please be careful in handling of LCD module with broken glass.  
When the display glass breaks, please pay attention not to injure your fingers. The display surface has the plastic film attached, which prevents dispersion of glass pieces, however touching broken edge will injure your fingers. Also Lamp (Cold Cathode Fluorescent Lamp) is made of glass, therefore please pay attention in the same way.
- (3) Please do not touch the fluid flown out of broken display glass.  
If the fluid should stick to hand or clothes, wipe off with soap or alcohol immediately and then wash it with water. If the fluid should get in eyes, wash eyes immediately with pure water for more than 15 minutes and then consult the doctor.
- (4) Please make secure connection of Lamp connector.  
Please make sure that Lamp connector from LCD module is connected with output connector on inverter circuit securely. Poor connection may cause smoke or fire accident due to high voltage in circuit. If connection may not be secure, please switch off the power supply for LCD module and Lamp and then make secure connection.  
Please do not make connection with another connector than recommended mating connector.
- (5) Lamp contains mercury inside. Please follow regulations or rules established by local autonomy at its disposal.
- (6) Please be careful to electric shock.  
Before handling LCD module, please switch off the power supply.  
Since high voltage is applied to Lamp terminal, cable, connector and inverter circuit in operation mode, touching them will cause electric shock.

### **2. Instructions for designing**

- (1) Mounting of LCD  
Please fix LCD module at all mounting flanges shown in this specification for installation onto system. The used screws should have proper dimensions.  
Furthermore, designing of mounting parts should be adequate so that LCD module is not warped or twisted, to achieve good display quality.
- (2) Mounting of LCD  
Please give careful consideration in designing which doesn't press down a Touch panel for installation onto system. If must be press it down that please leave it from the Bezel opening area more than 2mm.
- (3) Polarity of power supply for Lamp  
Please give careful consideration in designing so that each polar of cable should be connected correctly at assembling (i.e. high voltage side is connected to high voltage side and low voltage side is connected to low voltage side). Since longer Lamp cable may cause insatiable start-up of Lamp and reduction of brightness, please make cable short as much as possible.

- (4) Designing of power supply circuit for Lamp  
Please design the circuit so that high voltage output can be kept for more than 1 second. The shorter time may not start up Lamp. The driving inverter circuit is recommended to be the type which Lamp current can be controlled.  
The type which voltage is controlled is not recommended, because it may cause big current under high temperature and insatiable start-up of Lamp under low temperature.
- (5) Heat radiation  
Lamp generates heat at lighting and causes temperature rise inside system. Therefore, designing to radiate heat like radiation slits at cabinet is recommended to meet the specified operating temperature range for LCD module.
- (6) Noise on power line  
Spike noise contained in power line causes abnormal operation of driving circuit and abnormal display. To avoid it, spike noise should be suppressed below VDD +/- 200mVp-p. (In any case, absolute maximum rating should be kept.)
- (7) Power sequence  
Before LCD module is switched on, please make sure that power supply and input signals of system, testing equipment, etc. meet the recommended power sequence.
- (8) Absolute maximum rating  
Absolute maximum rating specified in this specification has to be kept in any case. It shows the maximum that cannot be exceeded.  
Exceeding it may cause burning or non-recoverable break of electronic components in circuit. Please make system design so that absolute maximum rating is not exceeded even if ambient temperature, input signal and components are varied.
- (9) Protection for power supply  
Please study to adapt protection for power supply against trouble of LCD module, depending on usage condition of system. Fuse installed on LCD module should be never modified. Any modification to make the function of fuse ineffective may cause burning or break of printed wiring board or other components at circuit trouble.
- (10) Protection against electric shock  
High voltage is applied to Lamp connector, inverter circuit and Lamp at lighting. Please make design not to expose or be accessible to such high voltage parts to avoid electric shock.
- (11) Protection cover and cut-off filter for ultraviolet rays  
When LCD module is used under severe condition like outdoor, it is recommended to use transparent protection cover over display surface to avoid scratches and invasion of dust and water. In addition, when LCD module is exposed to direct sun light for long time, use of cut-off filter for ultraviolet rays is also recommended. Please be careful not to get condensation.

### **3. Instructions for use and handling**

- (1) Protection against Static electricity  
C-MOS LSI and semiconductors are easily damaged by static discharge. LCD module should be handled on conductive mat by person grounded with wrist strap etc. to avoid getting static electricity. Please be careful not to generate static electricity during operation.

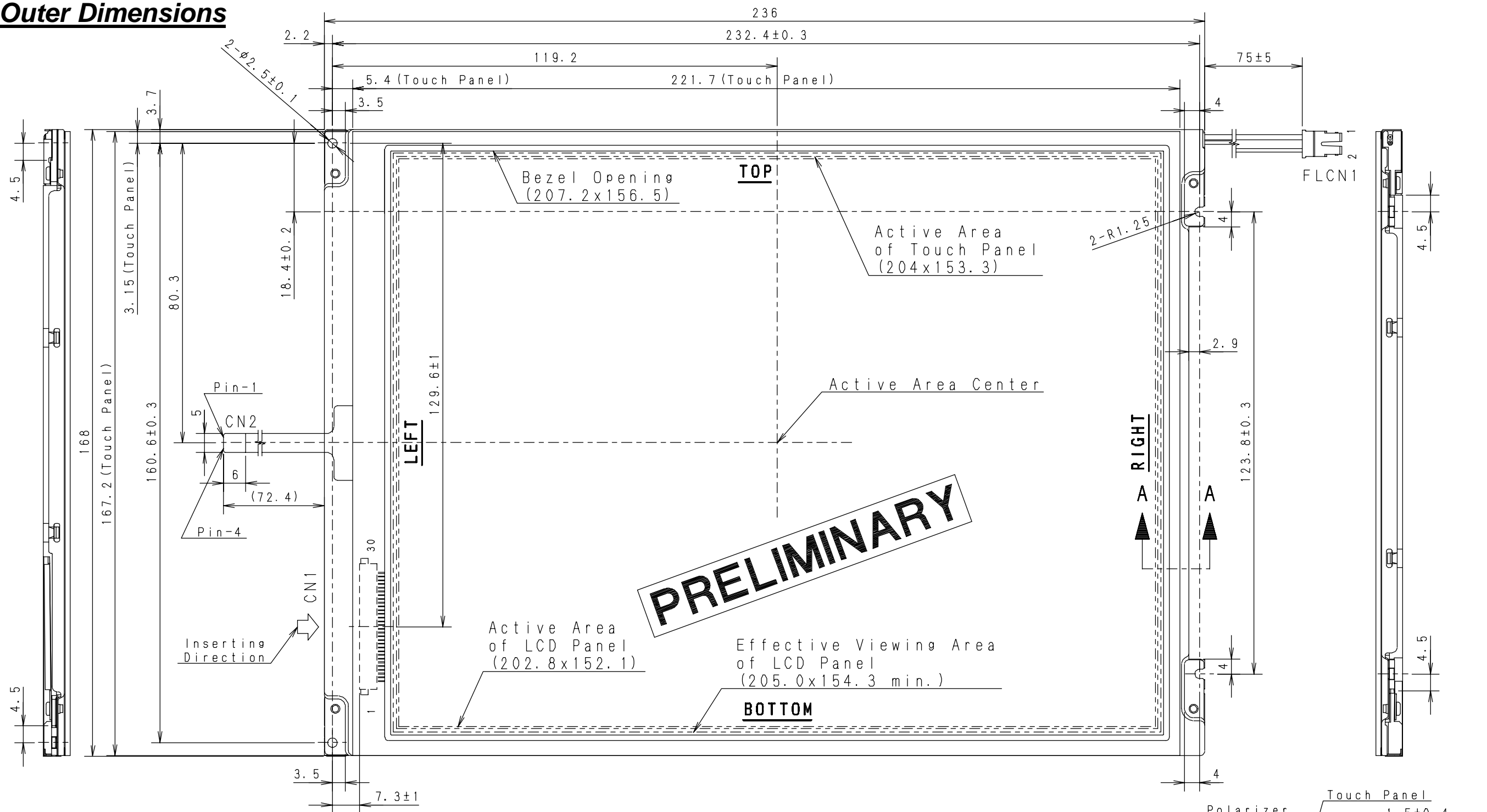
- (2) Protection against dust and stain  
LCD module should be handled in circumstance as clean as possible.  
It is recommended to wear fingerstalls or ductless and soft gloves before handling to avoid getting dust or stain on display surface.
- (3) Protection film for display surface  
It is recommended to remove protection film at nearly final process of assembling to avoid getting scratch or dust. To remove film, please pick up its edge with dull-head tweezers or cellophane tape at first and then remove film gradually taking more than 3 seconds. If film is removed quickly, static electricity may be generated and may damage semiconductors or electronic components.
- (4) Contamination of display surface  
When display surface of Touch panel is contaminated, please wipe the surface softly with cotton swab or clean cloth
- (5) Water drop on LCD surface  
Please do not leave LCD module with water drop. When the display surface gets water drop, please wipe it off with cotton swab or soft cloth immediately, otherwise display surface will be deteriorated.  
If water gets in inside of LCD module, circuit may be damaged.
- (6) Please make sure that LCD module is not warped or twisted at installation into system. Even temporary warp or twist may be the cause for failure.
- (7) Mechanical stress  
Please be careful not to apply strong mechanical stress like drop or shock to LCD module. Such stress may cause break of display glass and Lamp or may be the cause for failure.
- (8) Pressure to display surface  
Please be careful not to apply strong pressure to display surface. Such pressure may cause scratches at surface or may be the cause of failure.
- (9) Protection against scratch  
Please be careful not to hit, press or rub the display surface with hard material like tools. In addition, please do not put heavy or hard material on display surface, and do not stack LCD modules. Touch panel at front surface can be easily scratched.
- (10) Plugging in of connector  
Please be careful not to apply strong stress to connector part of LCD module at plugging in or out, because strong stress may damage the inside connection. At plugging in connector, place LCD module on the flat surface and hold the backside of connector on LCD module. Please make sure that connector is plugged in correctly. Insecure connection may be the cause for failure during operation.  
In addition, please be careful not to put the connecting cable between cabinet of system and LCD module at installing LCD module into system.
- (11) Handling of Lamp cable and FPC (Flexible Printed Circuit)  
Please be careful not to pull or scratch Lamp cable, because Lamp or soldered part of cable may be damaged consequently.  
Also FPC should not be pulled or scratched.
- (12) Switching off before plugging in connector  
Please make sure that power is switched off before plugging in connector.  
If power is on at plugging in or out, circuit of LCD module may be damaged.  
When LCD is switched on for test or inspection, please make sure that power supply and input signals of driving system meet the specified power sequence.

- (13) Temperature dependence of LCD display  
Response speed (optical response) of LCD display is dependent on temperature. Under low temperature, response speed is slower.  
Also brightness and chromaticity change slightly depending on temperature.
- (14) Slow light-up of Lamp under low temperature  
Under low temperature, start-up of Lamp gets difficult. (The time from switch-on to stable lighting becomes longer.)  
As characteristic of Lamp, operation under low temperature makes the life time shorter. To avoid this, it is recommended to operate under normal temperature.
- (15) Condensation  
LCD module may get condensation on its display surface and inside in the circumstance where temperature changes much in short time.  
Condensation can cause deterioration or failure. Therefore, please be careful not to get condensation.
- (16) Remaining of image  
Displaying the same pattern for long time may cause remaining of image even after changing the pattern. This is not failure but will disappear with time.

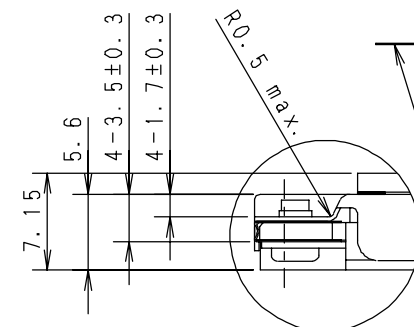
#### **4. Instructions for storage and transportation**

- (1) Storage  
Please store LCD module in the dark place of room temperature and low humidity in original packing condition, to avoid condensation that may cause failure.  
Since sudden temperature change may cause condensation, please store in circumstance of stable temperature.
- (2) Stacking number  
Since excessive weight causes deformation and damage of carton box, please stack only up to the number stated on carton box for storage and transportation.
- (3) Handling  
Since LCD module consists of glass and precise electronic components, it will be damaged by excessive shock and drop. Therefore, please handle the carton box carefully to minimize shock at loading, reloading and transportation.

# Outer Dimensions



**PRELIMINARY**



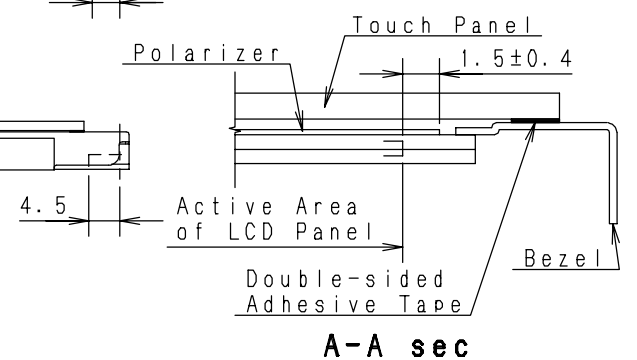
**B (2 : 1)**

**Touch Panel Pin Assignment**

Pin No.1	TOP
Pin No.2	RIGHT
Pin No.3	LEFT
Pin No.4	BOTTOM

- CN1 : DF19L-30P-1H (HIROSE)
- CN2 (Mating Connector) : 52207-0490 (MOLEX)
- FLCN1 : BHSR-02VS-1 (JST)

NOTE1 : Unspecified dimension tolerances are +/-0.5mm



**A-A sec**

**Unit : mm**