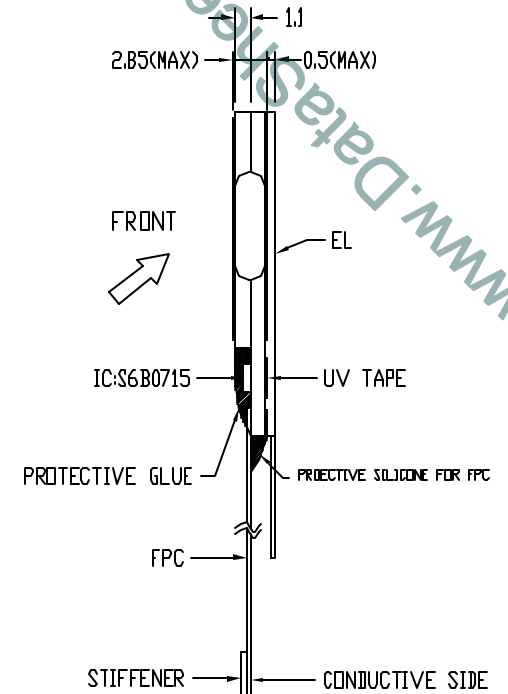
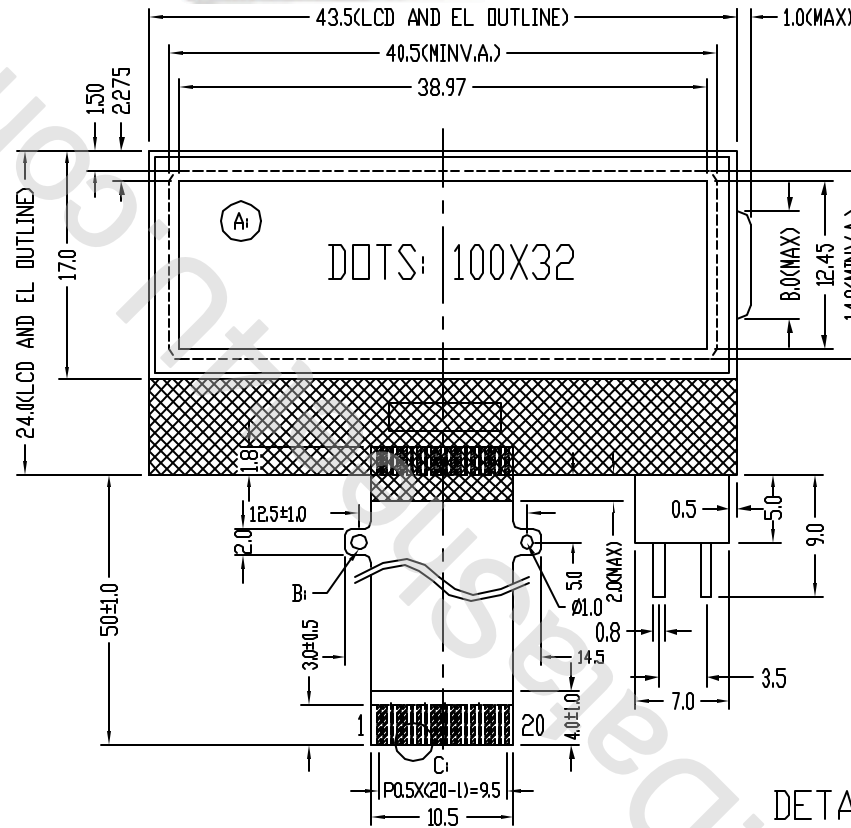
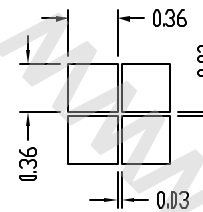


液晶之友 电话: 020-33819057
 Http://www.lcdfriends.com

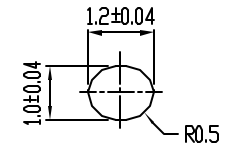
1	V4
2	V3
3	V2
4	V1
5	V0
6	VR
7	C2-
8	C2+
9	C1-
10	C1+
11	C3+
12	VOUT
13	VSS
14	SID
15	SCLK
16	VDD
17	RS
18	CS1B
19	RESETB
20	NC



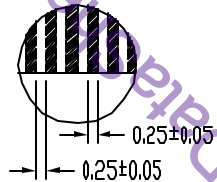
DETAIL A:



DETAIL B:



DETAIL C:



NOTES:

1. DISPLAY TYPE: FSTN
2. VIEWING DIRECTION: 6:00
3. POLARIZER MODE: TRANSFLECTIVE/POSITIVE
4. LOGIC VOLTAGE: 3.0V
5. LCD OPERATING VOLTAGE: 7.0V
6. DRIVE METHOD: 1/32 DUTY 1/6 BIAS
7. OPERATING TEMP.: -20°C~+60°C
8. STORAGE TEMP.: -30°C~+70°C
9. CONTROLLER: S6B0715A11-B0CZ(KS0715UM-H0CC)
10. EL BACKLIGHT: BLUE
11. UNMARKED TOLERANCES: ±0.3MM
12. CONNECTOR: FPC



TIAN-MA MICROELECTRONICS CO.

6/F., CASTIC Building, Sherman Road, Central, Shenzhen, China

DRAWN BY:	TITLE: TM10032ACBWG1	 SCALE UNIT: mm
CHECKED BY:	DWG NO: G-2	
APPROVED BY:	DWG NAME: TM10032ACBWG1G-2	SHEET NO: 1 OF 1
CONFIRMED BY:		