



# ADVANCED INFORMATION MX29LV065

## 64M-BIT [8M x 8] CMOS EQUAL SECTOR FLASH MEMORY

### FEATURES

#### GENERAL FEATURES

- 8,388,608 x 8 byte structure
- One hundred twenty-eight Equal Sectors with 32K byte each
  - Any combination of sectors can be erased with erase suspend/resume function
- Sector Protection/Chip Unprotected
  - Provides sector group protect function to prevent program or erase operation in the protected sector group
  - Provides chip unprotected function to allow code changing
  - Provides temporary sector group unprotected function for code changing in previously protected sector groups
- Secured Silicon Sector
  - Provides a 256-byte area for code or data that can be permanently protected.
  - Once this sector is protected, it is prohibited to program or erase within the sector again.
- Single Power Supply Operation
  - 3.0 to 3.6 volt for read, erase, and program operations
- Latch-up protected to 250mA from -1V to Vcc + 1V
- Low Vcc write inhibit is equal to or less than 2.5V
- Compatible with JEDEC standard
  - Pinout and software compatible to single power supply Flash

#### PERFORMANCE

- High Performance
  - Fast access time: 90/120ns
  - Fast program time: 7 $\mu$ s, 42s/chip (typical)
  - Fast erase time: 0.9s/sector, 45s/chip (typical)
- Low Power Consumption
  - Low active read current: 9mA (typical) at 5MHz
  - Low standby current: 0.2 $\mu$ A (typ.)
- Minimum 100,000 erase/program cycle
- 20-year data retention

### GENERAL DESCRIPTION

The MX29LV065 is a 64-mega bit Flash memory organized as 8M bytes of 8 bits. MXIC's Flash memories offer the most cost-effective and reliable read/write non-volatile random access memory. The MX29LV065 is packaged in 48-pin TSOP and 63-ball CSP. It is designed to be reprogrammed and erased in system or in standard EPROM programmers.

#### SOFTWARE FEATURES

- Support Common Flash Interface (CFI)
  - Flash device parameters stored on the device and provide the host system to access.
- Erase Suspend/ Erase Resume
  - Suspends sector erase operation to read data from or program data to another sector which is not being erased
- Status Reply
  - Data polling & Toggle bits provide detection of program and erase operation completion

#### HARDWARE FEATURES

- Ready/Busy (RY/BY) Output
  - Provides a hardware method of detecting program and erase operation completion
- Hardware Reset (RESET) Input
  - Provides a hardware method to reset the internal state machine to read mode

#### PACKAGE

- 63-ball CSP
- 48-pin TSOP

The standard MX29LV065 offers access time as fast as 90ns, allowing operation of high-speed microprocessors without wait states. To eliminate bus contention, the MX29LV065 has separate chip enable ( $\overline{CE}$ ) and output enable ( $\overline{OE}$ ) controls.

MXIC's Flash memories augment EPROM functionality

with in-circuit electrical erasure and programming. The MX29LV065 uses a command register to manage this functionality.

MXIC Flash technology reliably stores memory contents even after 100,000 erase and program cycles. The MXIC cell is designed to optimize the erase and program mechanisms. In addition, the combination of advanced tunnel oxide processing and low internal electric fields for erase and programming operations produces reliable cycling. The MX29LV065 uses a 3.0V to 3.6V VCC supply to perform the High Reliability Erase and auto Program/Erase algorithms.

The highest degree of latch-up protection is achieved with MXIC's proprietary non-epi process. Latch-up protection is proved for stresses up to 100 milliamps on address and data pin from -1V to VCC + 1V.

### **AUTOMATIC PROGRAMMING**

The MX29LV065 is byte programmable using the Automatic Programming algorithm. The Automatic Programming algorithm makes the external system do not need to have time out sequence nor to verify the data programmed. The typical chip programming time at room temperature of the MX29LV065 is less than 42sec.

### **AUTOMATIC PROGRAMMING ALGORITHM**

MXIC's Automatic Programming algorithm require the user to only write program set-up commands (including 2 unlock write cycle and AOH) and a program command (program data and address). The device automatically times the programming pulse width, provides the program verification, and counts the number of sequences. A status bit similar to  $\overline{\text{DATA}}$  polling and a status bit toggling between consecutive read cycles, provide feedback to the user as to the status of the programming operation.

### **AUTOMATIC CHIP ERASE**

The entire chip is bulk erased using 50 ms erase pulses according to MXIC's Automatic Chip Erase algorithm. Typical erasure at room temperature is accomplished in less than 205 seconds. The Automatic Erase algorithm automatically programs the entire array prior to electrical erase. The timing and verification of electrical erase are controlled internally within the device.

### **AUTOMATIC SECTOR ERASE**

The MX29LV065 is sector(s) erasable using MXIC's Auto Sector Erase algorithm. Sector erase modes allow sectors of the array to be erased in one erase cycle. The Automatic Sector Erase algorithm automatically programs the specified sector(s) prior to electrical erase. The timing and verification of electrical erase are controlled internally within the device.

### **AUTOMATIC ERASE ALGORITHM**

MXIC's Automatic Erase algorithm requires the user to write commands to the command register using standard microprocessor write timings. The device will automatically pre-program and verify the entire array. Then the device automatically times the erase pulse width, provides the erase verification, and counts the number of sequences. A status bit toggling between consecutive read cycles provides feedback to the user as to the status of the programming operation.

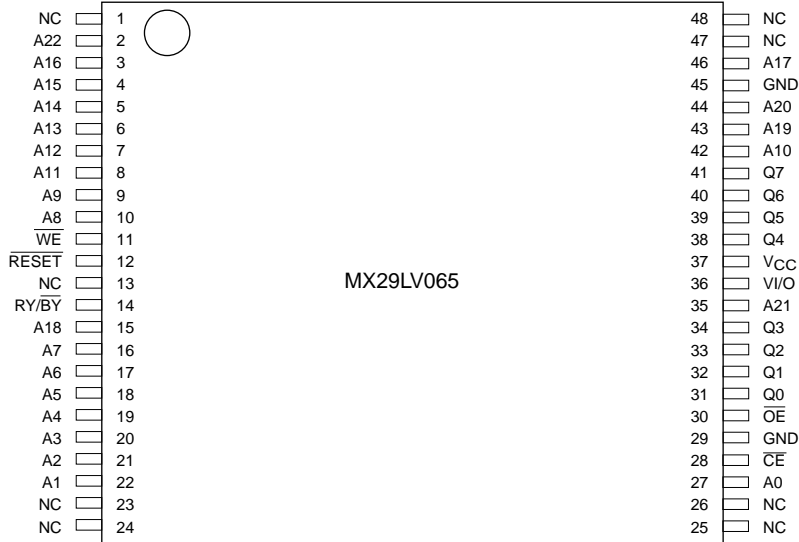
Register contents serve as inputs to an internal state-machine which controls the erase and programming circuitry. During write cycles, the command register internally latches address and data needed for the programming and erase operations. During a system write cycle, addresses are latched on the falling edge, and data are latched on the rising edge of  $\overline{\text{WE}}$ .

MXIC's Flash technology combines years of EPROM experience to produce the highest levels of quality, reliability, and cost effectiveness. The MX29LV065 electrically erases all bits simultaneously using Fowler-Nordheim tunneling. The bytes are programmed by using the EPROM programming mechanism of hot electron injection.

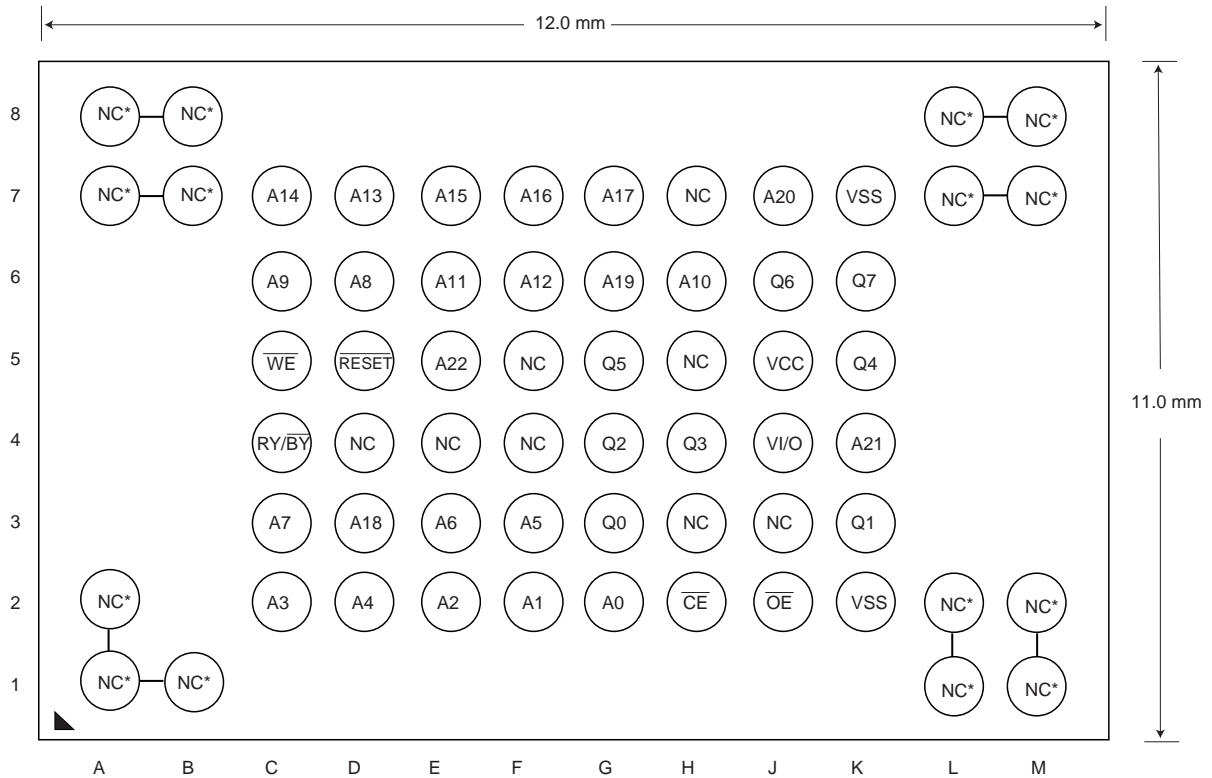
During a program cycle, the state-machine will control the program sequences and command register will not respond to any command set. During a Sector Erase cycle, the command register will only respond to Erase Suspend command. After Erase Suspend is completed, the device stays in read mode. After the state machine has completed its task, it will allow the command register to respond to its full command set.

## PIN CONFIGURATION

### 48 TSOP



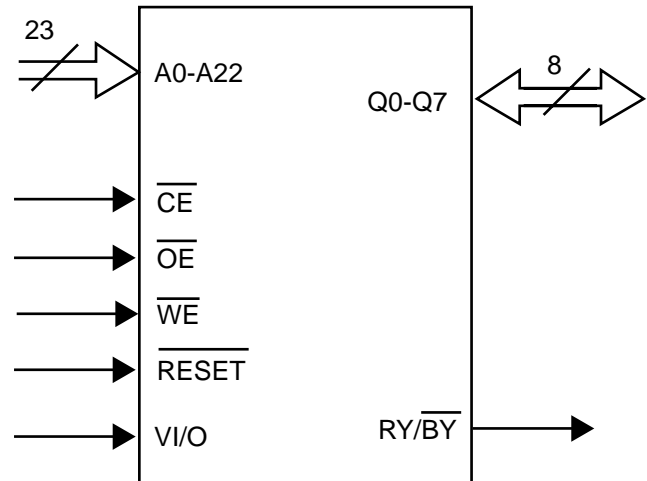
### 63 Ball CSP

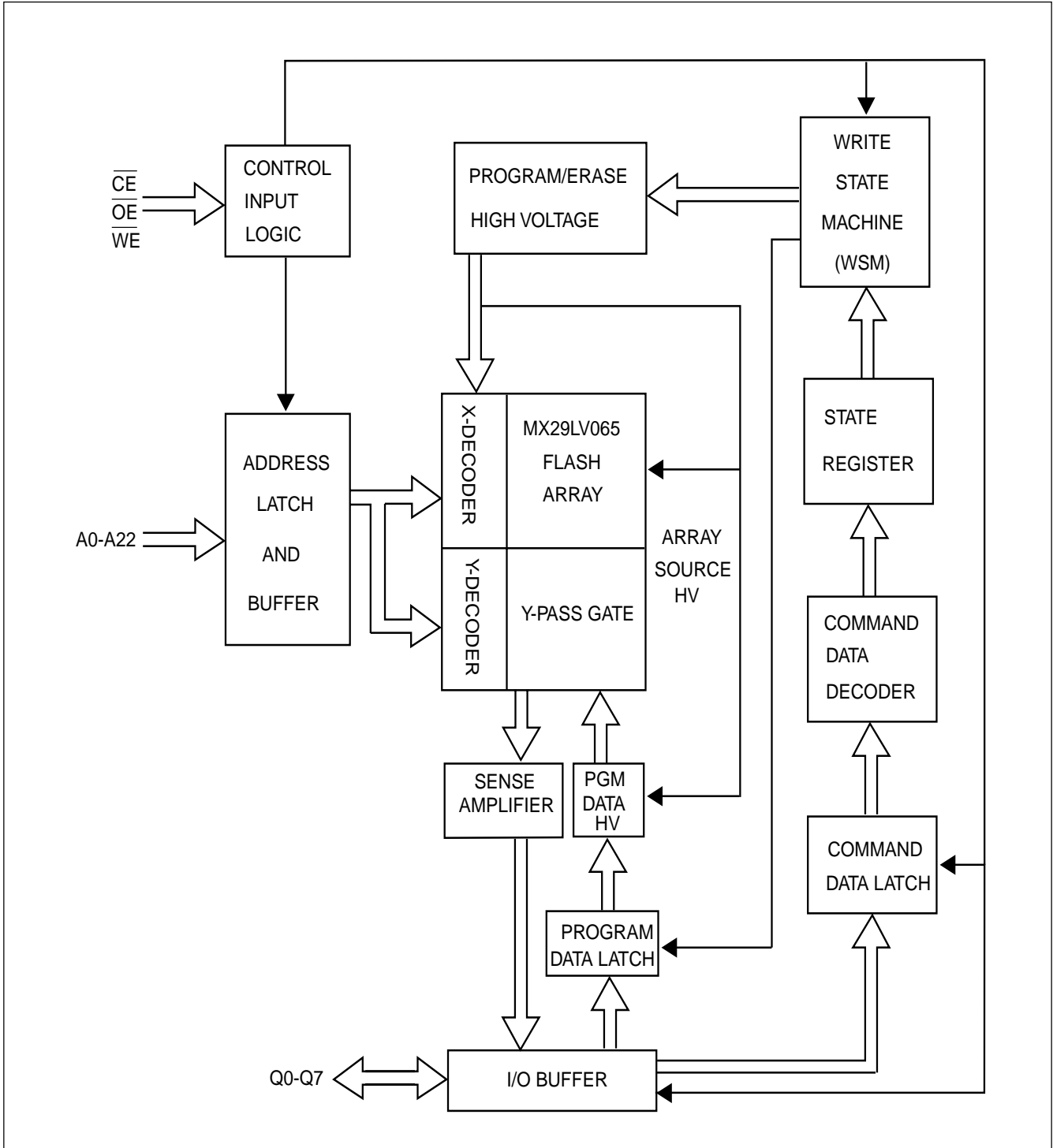


\* Ball are shorted together via the substrate but not connected to the die.

**PIN DESCRIPTION**

SYMBOL	PIN NAME
A0~A22	Address Input
Q0~Q7	8 Data Inputs/Outputs
$\overline{CE}$	Chip Enable Input
$\overline{WE}$	Write Enable Input
$\overline{OE}$	Output Enable Input
$\overline{RESET}$	Hardware Reset Pin, Active Low
RY/BY	Read/Busy Output
VCC	+3.0V single power supply
VI/O	Input/Output buffer (2.7V~3.6V) this input should be tied directly to VCC
GND	Device Ground
NC	Pin Not Connected Internally

**LOGIC SYMBOL**


**BLOCK DIAGRAM**


**SECTOR (GROUP) STRUCTURE**

Sector	A22	A21	A20	A19	A18	A17	A16	8-bit Address Range (in hexadecimal)
SA0	0	0	0	0	0	0	0	000000-00FFFF
SA1	0	0	0	0	0	0	1	010000-01FFFF
SA2	0	0	0	0	0	1	0	020000-02FFFF
SA3	0	0	0	0	0	1	1	030000-03FFFF
SA4	0	0	0	0	1	0	0	040000-04FFFF
SA5	0	0	0	0	1	0	1	050000-05FFFF
SA6	0	0	0	0	1	1	0	060000-06FFFF
SA7	0	0	0	0	1	1	1	070000-07FFFF
SA8	0	0	0	1	0	0	0	080000-08FFFF
SA9	0	0	0	1	0	0	1	090000-09FFFF
SA10	0	0	0	1	0	1	0	0A0000-0AFFFF
SA11	0	0	0	1	0	1	1	0B0000-0BFFFF
SA12	0	0	0	1	1	0	0	0C0000-0CFFFF
SA13	0	0	0	1	1	0	1	0D0000-0DFFFF
SA14	0	0	0	1	1	1	0	0E0000-0EFFFF
SA15	0	0	0	1	1	1	1	0F0000-0FFFFF
SA16	0	0	1	0	0	0	0	100000-10FFFF
SA17	0	0	1	0	0	0	1	110000-11FFFF
SA18	0	0	1	0	0	1	0	120000-12FFFF
SA19	0	0	1	0	0	1	1	130000-13FFFF
SA20	0	0	1	0	1	0	0	140000-14FFFF
SA21	0	0	1	0	1	0	1	150000-15FFFF
SA22	0	0	1	0	1	1	0	160000-16FFFF
SA23	0	0	1	0	1	1	1	170000-17FFFF
SA24	0	0	1	1	0	0	0	180000-18FFFF
SA25	0	0	1	1	0	0	1	190000-19FFFF
SA26	0	0	1	1	0	1	0	1A0000-1AFFFF
SA27	0	0	1	1	0	1	1	1B0000-1BFFFF
SA28	0	0	1	1	1	0	0	1C0000-1CFFFF
SA29	0	0	1	1	1	0	1	1D0000-1DFFFF
SA30	0	0	1	1	1	1	0	1E0000-1EFFFF
SA31	0	0	1	1	1	1	1	1F0000-1FFFFF
SA32	0	1	0	0	0	0	0	200000-20FFFF
SA33	0	1	0	0	0	0	1	210000-21FFFF
SA34	0	1	0	0	0	1	0	220000-22FFFF
SA35	0	1	0	0	0	1	1	230000-23FFFF
SA36	0	1	0	0	1	0	0	240000-24FFFF
SA37	0	1	0	0	1	0	1	250000-25FFFF



Sector	A22	A21	A20	A19	A18	A17	A16	8-bit Address Range (in hexadecimal)
SA38	0	1	0	0	1	1	0	260000-26FFFF
SA39	0	1	0	0	1	1	1	270000-27FFFF
SA40	0	1	0	1	0	0	0	280000-28FFFF
SA41	0	1	0	1	0	0	1	290000-29FFFF
SA42	0	1	0	1	0	1	0	2A0000-2AFFFF
SA43	0	1	0	1	0	1	1	2B0000-2BFFFF
SA44	0	1	0	1	1	0	0	2C0000-2CFFFF
SA45	0	1	0	1	1	0	1	2D0000-2DFFFF
SA46	0	1	0	1	1	1	0	2E0000-2EFFFF
SA47	0	1	0	1	1	1	1	2F0000-2FFFFF
SA48	0	1	1	0	0	0	0	300000-30FFFF
SA49	0	1	1	0	0	0	1	310000-31FFFF
SA50	0	1	1	0	0	1	0	320000-32FFFF
SA51	0	1	1	0	0	1	1	330000-33FFFF
SA52	0	1	1	0	1	0	0	340000-34FFFF
SA53	0	1	1	0	1	0	1	350000-35FFFF
SA54	0	1	1	0	1	1	0	360000-36FFFF
SA55	0	1	1	0	1	1	1	370000-37FFFF
SA56	0	1	1	1	0	0	0	380000-38FFFF
SA57	0	1	1	1	0	0	1	390000-39FFFF
SA58	0	1	1	1	0	1	0	3A0000-3AFFFF
SA59	0	1	1	1	0	1	1	3B0000-3BFFFF
SA60	0	1	1	1	1	0	0	3C0000-3CFFFF
SA61	0	1	1	1	1	0	1	3D0000-3DFFFF
SA62	0	1	1	1	1	1	0	3E0000-3EFFFF
SA63	0	1	1	1	1	1	1	3F0000-3FFFFF
SA64	1	0	0	0	0	0	0	400000-40FFFF
SA65	1	0	0	0	0	0	1	410000-41FFFF
SA66	1	0	0	0	0	1	0	420000-42FFFF
SA67	1	0	0	0	0	1	1	430000-43FFFF
SA68	1	0	0	0	1	0	0	440000-44FFFF
SA69	1	0	0	0	1	0	1	450000-45FFFF
SA70	1	0	0	0	1	1	0	460000-46FFFF
SA71	1	0	0	0	1	1	1	470000-47FFFF
SA72	1	0	0	1	0	0	0	480000-48FFFF
SA73	1	0	0	1	0	0	1	490000-49FFFF
SA74	1	0	0	1	0	1	0	4A0000-4AFFFF
SA75	1	0	0	1	0	1	1	4B0000-4BFFFF
SA76	1	0	0	1	1	0	0	4C0000-4CFFFF
SA77	1	0	0	1	1	0	1	4D0000-4DFFFF



Sector	A22	A21	A20	A19	A18	A17	A16	8-bit Address Range (in hexadecimal)
SA78	1	0	0	1	1	1	0	4E0000-4EFFFF
SA79	1	0	0	1	1	1	1	4F0000-4FFFFFF
SA80	1	0	1	0	0	0	0	500000-50FFFF
SA81	1	0	1	0	0	0	1	510000-51FFFF
SA82	1	0	1	0	0	1	0	520000-52FFFF
SA83	1	0	1	0	0	1	1	530000-53FFFF
SA84	1	0	1	0	1	0	0	540000-54FFFF
SA85	1	0	1	0	1	0	1	550000-55FFFF
SA86	1	0	1	0	1	1	0	560000-56FFFF
SA87	1	0	1	0	1	1	1	570000-57FFFF
SA88	1	0	1	1	0	0	0	580000-58FFFF
SA89	1	0	1	1	0	0	1	590000-59FFFF
SA90	1	0	1	1	0	1	0	5A0000-5AFFFF
SA91	1	0	1	1	0	1	1	5B0000-5BFFFF
SA92	1	0	1	1	1	0	0	5C0000-5CFFFF
SA93	1	0	1	1	1	0	1	5D0000-5DFFFF
SA94	1	0	1	1	1	1	0	5E0000-5EFFFF
SA95	1	0	1	1	1	1	1	5F0000-5FFFFFF
SA96	1	1	0	0	0	0	0	600000-60FFFF
SA97	1	1	0	0	0	0	1	610000-60FFFF
SA98	1	1	0	0	0	1	0	620000-62FFFF
SA99	1	1	0	0	0	1	1	630000-63FFFF
SA100	1	1	0	0	1	0	0	640000-64FFFF
SA101	1	1	0	0	1	0	1	650000-65FFFF
SA102	1	1	0	0	1	1	0	660000-66FFFF
SA103	1	1	0	0	1	1	1	670000-67FFFF
SA104	1	1	0	1	0	0	0	680000-68FFFF
SA105	1	1	0	1	0	0	1	690000-69FFFF
SA106	1	1	0	1	0	1	0	6A0000-6AFFFF
SA107	1	1	0	1	0	1	1	6B0000-6BFFFF
SA108	1	1	0	1	1	0	0	6C0000-6CFFFF
SA109	1	1	0	1	1	0	1	6D8000-6DFFFF
SA110	1	1	0	1	1	1	0	6E0000-6EFFFF
SA111	1	1	0	1	1	1	1	6F8000-6FFFFFF
SA112	1	1	1	0	0	0	0	700000-70FFFF
SA113	1	1	1	0	0	0	1	710000-71FFFF
SA114	1	1	1	0	0	1	0	720000-72FFFF
SA115	1	1	1	0	0	1	1	730000-73FFFF
SA116	1	1	1	0	1	0	0	740000-74FFFF
SA117	1	1	1	0	1	0	1	750000-75FFFF





Sectpr	A21	A20	A19	A18	A17	A16	A15	8-bit Address Range (in hexadecimal)
SA118	1	1	1	0	1	1	0	760000-76FFFF
SA119	1	1	1	0	1	1	1	770000-77FFFF
SA120	1	1	1	1	0	0	0	780000-78FFFF
SA121	1	1	1	1	0	0	1	790000-79FFFF
SA122	1	1	1	1	0	1	0	7A0000-7AFFFF
SA123	1	1	1	1	0	1	1	7B0000-7BFFFF
SA124	1	1	1	1	1	0	0	7C0000-7CFFFF
SA125	1	1	1	1	1	0	1	7D0000-7DFFFF
SA126	1	1	1	1	1	1	0	7E0000-7EFFFF
SA127	1	1	1	1	1	1	1	7F0000-7FFFFFFF

Note: All sector groups are 64K bytes in size.



**Sector Group Protection/Unprotected Address Table**

<b>Sector Group</b>	<b>A21-A17</b>
SA0-SA3	00000
SA4-SA7	00001
SA8-SA11	00010
SA12-SA15	00011
SA16-SA19	00100
SA20-SA23	00101
SA24-SA27	00110
SA28-SA31	00111
SA32-SA35	01000
SA36-SA39	01001
SA40-SA43	01010
SA44-SA47	01011
SA48-SA51	01100
SA52-SA55	01101
SA56-SA59	01110
SA60-SA63	01111
SA64-SA67	10000
SA68-SA71	10001
SA72-SA75	10010
SA76-SA79	10011
SA80-SA83	10100
SA84-SA87	10101
SA88-SA91	10110
SA92-SA95	10111
SA96-SA99	11000
SA100-SA103	11001
SA104-SA107	11010
SA108-SA111	11011
SA112-SA115	11100
SA116-SA119	11101
SA120-SA123	11110
SA124-SA127	11111

Note: All sector groups are 256K bytes in size.

**Table 1**
**BUS OPERATION (1)**

Operation	$\overline{\text{CE}}$	$\overline{\text{OE}}$	$\overline{\text{WE}}$	$\overline{\text{RESET}}$	Address	Q0~Q7
Read	L	L	H	H	A <sub>IN</sub>	D <sub>OUT</sub>
Write (Program/Erase)	L	H	L	H	A <sub>IN</sub>	(Note 2)
Standby	VCC±0.3V	X	X	VCC±0.3V	X	High-Z
Output Disable	L	H	H	H	X	High-Z
Reset	X	X	X	L	X	High-Z
Sector Group Protect (Note 1)	L	H	L	V <sub>ID</sub>	Sector Addresses, A6=L, A1=H, A0=L	D <sub>IN</sub> , D <sub>OUT</sub>
Sector Group Unprotected (Note 1)	L	H	L	V <sub>ID</sub>	Sector Addresses, A6=H, A1=H, A0=L	D <sub>IN</sub> , D <sub>OUT</sub>
Temporary Sector Group Unprotected	X	X	X	V <sub>ID</sub>	A <sub>IN</sub>	D <sub>IN</sub>

**Legend:**

L=Logic LOW=V<sub>IL</sub>, H=Logic High=V<sub>IH</sub>, V<sub>ID</sub>=12.0±0.5V, X=Don't Care, A<sub>IN</sub>=Address IN, D<sub>IN</sub>=Data IN, D<sub>OUT</sub>=Data OUT

**Notes:**

1. The sector group protect and chip unprotected functions may also be implemented via programming equipment. See the "Sector Group Protection and Chip Unprotected" section.
2. D<sub>IN</sub> or D<sub>OUT</sub> as required by command sequence, Data polling or sector protect algorithm (see Figure 2).

**AUTO-SELECT CODES (High Voltage Method)**

Operation	$\overline{CE}$	$\overline{OE}$	$\overline{WE}$	A0	A1	A5 to A2	A6	A8 to A7	A9	A15 to A10	A16 to A22	Q0~Q7
Read Silicon ID Manufactures Code	L	L	H	L	L	X	L	X	V <sub>ID</sub>	X	X00	C2H
Read Silicon ID Device Code	L	L	H	H	L	X	L	X	V <sub>ID</sub>	X	X	93H
Sector Protect Verify	L	L	H	L	H	X	X	X	V <sub>ID</sub>	X	SA	Code(1)
Secured Silicon Sector Indicator Bit(Q7)	L	L	H	H	H	X	L	X	V <sub>ID</sub>	X	X	90h (factory locked)
												10h (non-factory locked)

**Notes:**

1. code=00h means unprotected, or code=01h means protected, SA=Sector Address, X=Don't care.

## REQUIREMENTS FOR READING ARRAY DATA

To read array data from the outputs, the system must drive the  $\overline{CE}$  and  $\overline{OE}$  pins to VIL.  $\overline{CE}$  is the power control and selects the device.  $\overline{OE}$  is the output control and gates array data to the output pins.  $\overline{WE}$  should remain at VIH.

The internal state machine is set for reading array data upon device power-up, or after a hardware reset. This ensures that no spurious alteration of the memory content occurs during the power transition. No command is necessary in this mode to obtain array data. Standard microprocessor read cycles that assert valid address on the device address inputs produce valid data on the device data outputs. The device remains enabled for read access until the command register contents are altered.

## WRITE COMMANDS/COMMAND SEQUENCES

To program data to the device or erase sectors of memory, the system must drive  $\overline{WE}$  and  $\overline{CE}$  to VIL, and  $\overline{OE}$  to VIH.

An erase operation can erase one sector, multiple sectors, or the entire device. Table indicates the address space that each sector occupies. A "sector address" consists of the address bits required to uniquely select a sector. The "Writing specific address and data commands or sequences into the command register initiates device operations. Table 1 defines the valid register command sequences. Writing incorrect address and data values or writing them in the improper sequence resets the device to reading array data". Section has details on erasing a sector or the entire chip, or suspending/resuming the erase operation.

After the system writes the auto-select command sequence, the device enters the auto-select mode. The system can then read auto-select codes from the internal register (which is separate from the memory array) on Q7-Q0. Standard read cycle timings apply in this mode. Refer to the Auto-select Mode and Auto-select Command Sequence section for more information.

ICC2 in the DC Characteristics table represents the active current specification for the write mode. The "AC Characteristics" section contains timing specification table and timing diagrams for write operations.

## STANDBY MODE

MX29LV065 can be set into Standby mode with two different approaches. One is using both  $\overline{CE}$  and  $\overline{RESET}$  pins and the other one is using  $\overline{RESET}$  pin only.

When using both pins of  $\overline{CE}$  and  $\overline{RESET}$ , a CMOS Standby mode is achieved with both pins held at  $V_{CC} \pm 0.3V$ . Under this condition, the current consumed is less than 0.2 $\mu$ A (typ.). If both of the  $\overline{CE}$  and  $\overline{RESET}$  are held at VIH, but not within the range of  $V_{CC} \pm 0.3V$ , the device will still be in the standby mode, but the standby current will be larger. During Auto Algorithm operation,  $V_{CC}$  active current ( $I_{CC2}$ ) is required even  $\overline{CE} = "H"$  until the operation is completed. The device can be read with standard access time ( $t_{CE}$ ) from either of these standby modes.

When using only  $\overline{RESET}$ , a CMOS standby mode is achieved with  $\overline{RESET}$  input held at  $V_{SS} \pm 0.3V$ . Under this condition the current is consumed less than 1 $\mu$ A (typ.). Once the  $\overline{RESET}$  pin is taken high, the device is back to active without recovery delay.

In the standby mode the outputs are in the high impedance state, independent of the  $\overline{OE}$  input.

MX29LV065 is capable to provide the Automatic Standby Mode to restrain power consumption during read-out of data. This mode can be used effectively with an application requested low power consumption such as handy terminals.

To active this mode, MX29LV065 automatically switch themselves to low power mode when MX29LV065 addresses remain stable during access time of  $t_{ACC}+30ns$ . It is not necessary to control  $\overline{CE}$ ,  $\overline{WE}$ , and  $\overline{OE}$  on the mode. Under the mode, the current consumed is typically 0.2 $\mu$ A (CMOS level).

## AUTOMATIC SLEEP MODE

The automatic sleep mode minimizes Flash device energy consumption. The device automatically enables this mode when address remain stable for  $t_{ACC}+30ns$ . The automatic sleep mode is independent of the  $\overline{CE}$ ,  $\overline{WE}$ , and  $\overline{OE}$  control signals. Standard address access timings provide new data when addresses are changed. While in sleep mode, output data is latched and always available to the system. ICC4 in the DC Characteristics table represents the automatic sleep mode current specification.

## OUTPUT DISABLE

With the  $\overline{OE}$  input at a logic high level (VIH), output from the devices are disabled. This will cause the output pins to be in a high impedance state.

## RESET OPERATION

The  $\overline{RESET}$  pin provides a hardware method of resetting the device to reading array data. When the  $\overline{RESET}$  pin is driven low for at least a period of  $t_{RP}$ , the device immediately terminates any operation in progress, tristates all output pins, and ignores all read/write commands for the duration of the  $\overline{RESET}$  pulse. The device also resets the internal state machine to reading array data. The operation that was interrupted should be reinitiated once the device is ready to accept another command sequence, to ensure data integrity

Current is reduced for the duration of the  $\overline{RESET}$  pulse. When  $\overline{RESET}$  is held at  $V_{SS} \pm 0.3V$ , the device draws CMOS standby current ( $I_{CC4}$ ). If  $\overline{RESET}$  is held at VIL but not within  $V_{SS} \pm 0.3V$ , the standby current will be greater.

The  $\overline{RESET}$  pin may be tied to system reset circuitry. A system reset would that also reset the Flash memory, enabling the system to read the boot-up firmware from the Flash memory.

If  $\overline{RESET}$  is asserted during a program or erase operation, the RY/ $\overline{BY}$  pin remains a "0" (busy) until the internal reset operation is complete, which requires a time of  $t_{READY}$  (during Embedded Algorithms). The system can thus monitor RY/ $\overline{BY}$  to determine whether the reset operation is complete. If  $\overline{RESET}$  is asserted when a program or erase operation is completed within a time of  $t_{READY}$  (not during Embedded Algorithms). The system can read data  $t_{RH}$  after the  $\overline{RESET}$  pin returns to VIH.

Refer to the AC Characteristics tables for  $\overline{RESET}$  parameters and to Figure 14 for the timing diagram.

## SECTOR GROUP PROTECT OPERATION

The MX29LV065 features hardware sector group protection. This feature will disable both program and erase operations for these sector group protected. In this device, a sector group consists of four adjacent sectors which are protected or unprotected at the same time. To activate this mode, the programming equipment must

force VID on address pin A9 and control pin  $\overline{OE}$ , (suggest VID = 12V) A6 = VIL and  $\overline{CE}$  = VIL. (see Table 2) Programming of the  $\overline{WE}$  protection circuitry begins on the falling edge of the  $\overline{WE}$  pulse and is terminated on the rising edge. Please refer to sector group protect algorithm and waveform.

MX29LV065 also provides another method. Which requires VID on the  $\overline{RESET}$  only. This method can be implemented either in-system or via programming equipment. This method uses standard microprocessor bus cycle timing.

To verify programming of the protection circuitry, the programming equipment must force VID on address pin A9 (with  $\overline{CE}$  and  $\overline{OE}$  at VIL and  $\overline{WE}$  at VIH). When A1=1, it will produce a logical "1" code at device output Q0 for a protected sector. Otherwise the device will produce 00H for the unprotected sector. In this mode, the addresses, except for A1, are don't care. Address locations with A1 = VIL are reserved to read manufacturer and device codes. (Read Silicon ID)

It is also possible to determine if the group is protected in the system by writing a Read Silicon ID command. Performing a read operation with A1=VIH, it will produce a logical "1" at Q0 for the protected sector.

## CHIP UNPROTECTED OPERATION

The MX29LV065 also features the chip unprotected mode, so that all sectors are unprotected after chip unprotected is completed to incorporate any changes in the code. It is recommended to protect all sectors before activating chip unprotected mode.

To activate this mode, the programming equipment must force VID on control pin  $\overline{OE}$  and address pin A9. The  $\overline{CE}$  pins must be set at VIL. Pins A6 must be set to VIH. (see Table 2) Refer to chip unprotected algorithm and waveform for the chip unprotected algorithm. The unprotected mechanism begins on the falling edge of the  $\overline{WE}$  pulse and is terminated on the rising edge.

MX29LV065 also provides another method. Which requires VID on the  $\overline{RESET}$  only. This method can be implemented either in-system or via programming equipment. This method uses standard microprocessor bus cycle timing.

It is also possible to determine if the chip is unprotected in the system by writing the Read Silicon ID command. Performing a read operation with A1=VIH, it will produce 00H at data outputs(Q0-Q7) for an unprotected sector. It

is noted that all sectors are unprotected after the chip unprotected algorithm is completed.

### **TEMPORARY SECTOR GROUP UNPROTECTED OPERATION**

This feature allows temporary unprotected of previously protected sector to change data in-system. The Temporary Sector Unprotected mode is activated by setting the RESET pin to VID(11.5V-12.5V). During this mode, formerly protected sectors can be programmed or erased as unprotected sector. Once VID is remove from the RESET pin, all the previously protected sectors are protected again.

### **SILICON ID READ OPERATION**

Flash memories are intended for use in applications where the local CPU alters memory contents. As such, manufacturer and device codes must be accessible while the device resides in the target system. PROM programmers typically access signature codes by raising A9 to a high voltage. However, multiplexing high voltage onto address lines is not generally desired system design practice.

MX29LV065 provides hardware method to access the silicon ID read operation. Which method requires VID on A9 pin, VIL on  $\overline{CE}$ ,  $\overline{OE}$ , A6, and A1 pins. Which apply VIL on A0 pin, the device will output MXIC's manufacture code of C2H. Which apply VIH on A0 pin, the device will output MX29LV065 device code of 93H.

## VERIFY SECTOR GROUP PROTECT STATUS OPERATION

MX29LV065 provides hardware method for sector group protect status verify. Which method requires VID on A9 pin, VIH on  $\overline{WE}$  and A1 pins, VIL on  $\overline{CE}$ ,  $\overline{OE}$ , A6, and A0 pins, and sector address on A16 to A21 pins. Which the identified sector is protected, the device will output 01H. Which the identified sector is not protect, the device will output 00H.

DESCRIPTION	$\overline{CE}$	$\overline{OE}$	$\overline{WE}$	A22 to A16	A15 to A10	A9	A8 to A7	A6	A5	A1	A0	Q7 to Q0
Manufacturer ID:MXIC	L	L	H	X	X	VID	X	L	X	L	L	C2H
Device ID:MX29LV065	L	L	H	X	X	VID	X	L	X	L	H	93H
Sector Protection Verification	L	L	H	SA	X	VID	X	L	X	H	L	01h(protected)
												00h(unprotected)

L=Logic Low=VIL,H=Logic High=VIH, SA=Sector Address, X=Don't care

## DATA PROTECTION

The MX29LV065 is designed to offer protection against accidental erasure or programming caused by spurious system level signals that may exist during power transition. During power up the device automatically resets the state machine in the Read mode. In addition, with its control register architecture, alteration of the memory contents only occurs after successful completion of specific command sequences. The device also incorporates several features to prevent inadvertent write cycles resulting from VCC power-up and power-down transition or system noise.

## SECURED SILICON SECTOR

The MX29LV065 features a Flash memory region where the system may access through a command sequence to create a permanent part identification as so called Electronic Serial Number (ESN) in the device. Once this region is programmed, any further modification on the region is impossible. The secured silicon sector is a 128 words in length, and uses a Secured Silicon Sector Indicator Bit (Q7) to indicate whether or not the Secured Silicon Sector is locked when shipped from the factory. This bit is permanently set at the factory and cannot be changed, which prevent duplication of a factory locked part. This ensures the security of the ESN once the prod-

uct is shipped to the field.

The MX29LV065 offers the device with Secured Silicon Sector either factory locked or customer lockable. The factory-locked version is always protected when shipped from the factory, and has the Secured Silicon Sector Indicator Bit permanently set to a "1". The customer-lockable version is shipped with the Secured Silicon Sector unprotected, allowing customs to utilize that sector in any form they prefer. The customer-lockable version has the secured sector Indicator Bit permanently set to a "0". Therefore, the Secured Silicon Sector Indicator Bit permanently set to a "0". Therefore, the Second Silicon Sector Indicator Bit prevents customer, lockable device from being used to replace devices that are factory locked.

The system access the Secured Silicon Sector through a command sequence (refer to "Enter Secured Silicon/Exit Secured Silicon Sector command Sequence). After the system has written the Enter Secured Silicon Sector command sequence, it may read the Secured Silicon Sector by using the address normally occupied by the first sector (SA0). This mode of operation continues until the system issues the Exit Secured Silicon Sector command sequence, or until power is removed from the device. On power-up, or following a hardware reset, the device reverts to sending command to sector SA0.



### **LOW VCC WRITE INHIBIT**

When VCC is less than VLKO the device does not accept any write cycles. This protects data during VCC power-up and power-down. The command register and all internal program/erase circuits are disabled, and the device resets. Subsequent writes are ignored until VCC is greater than VLKO. The system must provide the proper signals to the control pins to prevent unintentional write when VCC is greater than VLKO.

### **WRITE PULSE "GLITCH" PROTECTION**

Noise pulses of less than 5ns(typical) on  $\overline{CE}$  or  $\overline{WE}$  will not initiate a write cycle.

### **LOGICAL INHIBIT**

Writing is inhibited by holding any one of  $\overline{OE} = VIL$ ,  $\overline{CE} = VIH$  or  $\overline{WE} = VIH$ . To initiate a write cycle  $\overline{CE}$  and  $\overline{WE}$  must be a logical zero while  $\overline{OE}$  is a logical one.

### **POWER-UP SEQUENCE**

The MX29LV065 powers up in the Read only mode. In addition, the memory contents may only be altered after successful completion of the predefined command sequences.

### **POWER-UP WRITE INHIBIT**

In order to reduce power switching effect, each device should have a 0.1uF ceramic capacitor connected between its VCC and GND.

### **POWER SUPPLY DE COUPLING**

In order to reduce power switching effect, each device should have a 0.1uF ceramic capacitor connected between its VCC and GND.

### **FACTORY LOCKED:Secured Silicon Sector Programmed and Protected At the Factory**

In device with an ESN, the Secured Silicon Sector is protected when the device is shipped from the factory. The Secured Silicon Sector cannot be modified in any way. A factory locked device has an 16-byte random ESN at address 000000h-00000Fh.

### **CUSTOMER LOCKABLE:Secured Silicon Sector NOT Programmed or Protected At the Factory**

As an alternative to the factory-locked version, the device may be ordered such that the customer may program and protect the 256-byte Secured Silicon Sector. Programming and protecting the Secured Silicon Sector must be used with caution since, once protected, there is no procedure available for unprotected the Secured Silicon Sector area and none of the bits in the Secured Silicon Sector memory space can be modified in any way.

The Secured Silicon Sector area can be protected using one of the following procedures:

Write the three-cycle Enter Secured Silicon Sector Region command sequence, and then follow the in-system sector protect algorithm as shown in Figure 2, except that RESET may be at either VIH or VID. This allows in-system protection of the Secured Silicon Sector without raising any device pin to a high voltage. Note that method is only applicable to the Secured Silicon Sector.

Write the three-cycle Enter Secured Silicon Sector Region command sequence, and then alternate method of sector protection described in the "Sector Group Protection and Unprotected" section.

Once the Secured Silicon Sector is programmed, locked and verified, the system must write the Exit Secured Silicon Sector Region command sequence to return to reading and writing the remainder of the array.

**SOFTWARE COMMAND DEFINITIONS**

Device operations are selected by writing specific address and data sequences into the command register. Writing incorrect address and data values or writing them in the improper sequence will reset the device to the read mode. Table 2 defines the valid register command sequences. Note that the Erase Suspend (B0H) and

Erase Resume (30H) commands are valid only while the Sector Erase operation is in progress. Either of the two reset command sequences will reset the device(when applicable).

All addresses are latched on the falling edge of  $\overline{WE}$  or  $\overline{CE}$ , whichever happens later. All data are latched on rising edge of  $\overline{WE}$  or  $\overline{CE}$ , whichever happens first.

**TABLE 2. MX29LV065 COMMAND DEFINITIONS**

Command	Bus Cycle	First Bus Cycle		Second Bus Cycle		Third Bus Cycle		Fourth Bus Cycle		Fifth Bus Cycle		Sixth Bus Cycle	
		Addr	Data	Addr	Data	Addr	Data	Addr	Data	Addr	Data	Addr	Data
Read(Note 5)	1	RA	RD										
Reset(Note 6)	1	XXX	F0										
Auto-select(Note 7)													
Manufacturer ID	4	XXX	AA	XXX	55	XXX	90	X00	C2				
Device ID	4	XXX	AA	XXX	55	XXX	90	X01	93				
Secured Sector Factory Protect (Note 8)	4	XXX	AA	XXX	55	XXX	90	X03	90/10				
Sector Group Protect	4	XXX	AA	XXX	55	XXX	90	SA	xx00				
Verify (Note 9)	4	XXX	AA	XXX	55	XXX	90	X02	xx01				
Enter Secured Silicon Sector	3	XXX	AA	XXX	55	XXX	88						
Exit Secured Silicon Sector	4	XXX	AA	XXX	55	XXX	90	xxx	00				
Program	4	XXX	AA	XXX	55	XXX	A0	PA	PD				
Chip Erase	6	XXX	AA	XXX	55	XXX	80	XXX	AA	XXX	55	XXX	10
Sector Erase	6	XXX	AA	XXX	55	XXX	80	XXX	AA	XXX	55	SA	30
Erase Suspend(Note 10)	1	BA	B0										
Erase Resume(Note 11)	1	BA	30										
CFI Query (Note 12)	1	XX	98										

**Legend:**

X=Don't care

RA=Address of the memory location to be read.

RD=Data read from location RA during read operation.

PA=Address of the memory location to be programmed.

Addresses are latched on the falling edge of the  $\overline{WE}$  or  $\overline{CE}$  pulse.

PD=Data to be programmed at location PA. Data is latched on the rising edge of  $\overline{WE}$  or  $\overline{CE}$  pulse.

SA=Address of the sector to be erased or verified.

Address bits A22-A16 uniquely select any sector.

**Notes:**

1. See Table 1 for descriptions of bus operations.
2. All values are in hexadecimal.
3. Except for the read cycle and fourth cycle of the auto-select command sequence, all bus cycles are write cycles.
4. Unless otherwise noted, address bits A22-A12 are don't cares.
5. No unlock or command cycles required when device is in read mode.
6. The Reset command is required to return to the read mode (or to the erase-suspend-read mode if previously in Erase Suspend) when the device is in the auto-select mode or if Q5 goes high (while the device is providing status information).
7. The fourth cycle of the auto-select command sequence is a read cycle. See the Auto-select Command Sequence section for more information.
8. The data is 80h for factory locked and 00h for not factory locked.
9. The data is 00h for an unprotected sector group and 01h for a protected sector group.
10. The system may read and program functions in non-erasing sectors, or enter the auto-select mode, when in the Erase Suspend mode. The Erase Suspend command is valid only during a sector erase operation.
11. The Erase Resume command is valid only during the Erase Suspend mode.
12. Command is valid when device is ready to read array data or when device is in auto-select mode.

**READING ARRAY DATA**

The device is automatically set to reading array data after device power-up. No commands are required to retrieve data. The device is also ready to read array data after completing an Automatic Program or Automatic Erase algorithm.

After the device accepts an Erase Suspend command, the device enters the Erase Suspend mode. The system can read array data using the standard read timings, except that if it reads at an address within erase-suspended sectors, the device outputs status data. After completing a programming operation in the Erase Suspend mode, the system may once again read array data with the same exception. See "Erase Suspend/Erase Resume Commands" for more information on this mode. The system must issue the reset command to re-enable the device for reading array data if Q5 goes high, or while in the auto-select mode. See the "Reset Command" section, next.

**RESET COMMAND**

Writing the reset command to the device resets the device to reading array data. Address bits are don't care for this command.

The reset command may be written between the

sequence cycles in an erase command sequence before erasing begins. This resets the device to reading array data. Once erasure begins, however, the device ignores reset commands until the operation is complete.

The reset command may be written between the sequence cycles in a program command sequence before programming begins. This resets the device to reading array data (also applies to programming in Erase Suspend mode). Once programming begins, however, the device ignores reset commands until the operation is complete.

The reset command may be written between the sequence cycles in an SILICON ID READ command sequence. Once in the SILICON ID READ mode, the reset command must be written to return to reading array data (also applies to SILICON ID READ during Erase Suspend).

If Q5 goes high during a program or erase operation, writing the reset command returns the device to reading array data (also applies during Erase Suspend).

**SILICON ID READ COMMAND SEQUENCE**

The SILICON ID READ command sequence allows the host system to access the manufacturer and device codes, and determine whether or not a sector is protected. Table 2 shows the address and data requirements.

This method is an alternative to that shown in Table 1, which is intended for PROM programmers and requires  $V_{ID}$  on address bit A9.

The SILICON ID READ command sequence is initiated by writing two unlock cycles, followed by the SILICON ID READ command. The device then enters the SILICON ID READ mode, and the system may read at any address any number of times, without initiating another command sequence. A read cycle at address XX00h retrieves the manufacturer code. A read cycle at address XX01h returns the device code. A read cycle containing a sector address (SA) and the address 02h returns 01h if that sector is protected, or 00h if it is unprotected. Refer to Table for valid sector addresses.

The system must write the reset command to exit the auto-select mode and return to reading array data.

## **BYTE PROGRAM COMMAND SEQUENCE**

The command sequence requires four bus cycles, and is initiated by writing two unlock write cycles, followed by the program set-up command. The program address and data are written next, which in turn initiate the Embedded Program algorithm. The system is not required to provide further controls or timings. The device automatically generates the program pulses and verifies the programmed cell margin. Table 1 shows the address and data requirements for the byte program command sequence.

When the Embedded Program algorithm is complete, the device then returns to reading array data and addresses are no longer latched. The system can determine the status of the program operation by using Q7, Q6, or RY/B $\bar{Y}$ . See "Write Operation Status" for information on these status bits.

Any commands written to the device during the Embedded Program Algorithm are ignored. Note that a hardware reset immediately terminates the programming operation. The Byte Program command sequence should be reinitiated once the device has reset to reading array data, to ensure data integrity.

Programming is allowed in any sequence and across sector boundaries. A bit cannot be programmed from a "0" back to a "1". Attempting to do so may halt the operation and set Q5 to "1", or cause the Data Polling algorithm to indicate the operation was successful. However, a succeeding read will show that the data is still "0". Only erase operations can convert a "0" to a "1".

## SETUP AUTOMATIC CHIP/SECTOR ERASE

Chip erase is a six-bus cycle operation. There are two "unlock" write cycles. These are followed by writing the "set-up" command 80H. Two more "unlock" write cycles are then followed by the chip erase command 10H, or the sector erase command 30H.

The MX29LV065 contains a Silicon-ID-Read operation to supplement traditional PROM programming methodology. The operation is initiated by writing the read silicon ID command sequence into the command register. Following the command write, a read cycle with A1=VIL,A0=VIL retrieves the manufacturer code of C2H. A read cycle with A1=VIL, A0=VIH returns the device code of 93H for MX29LV065.

**TABLE 3. SILICON ID CODE**

Pins	A0	A1	Q7	Q6	Q5	Q4	Q3	Q2	Q1	Q0	Code(Hex)
Manufacture code	VIL	VIL	1	1	0	0	0	0	1	0	C2H
Device code for MX29LV065	VIH	VIL	1	0	1	0	0	0	1	1	93H

## AUTOMATIC CHIP/SECTOR ERASE COMMAND

The device does not require the system to preprogram prior to erase. The Automatic Erase algorithm automatically preprogram and verifies the entire memory for an all zero data pattern prior to electrical erase. The system is not required to provide any controls or timings during these operations. Table 2 shows the address and data requirements for the chip erase command sequence.

Any commands written to the chip during the Automatic Erase algorithm are ignored. Note that a hardware reset during the chip erase operation immediately terminates the operation. The Chip Erase command sequence should be reinitiated once the device has returned to reading array data, to ensure data integrity.

The system can determine the status of the erase operation by using Q7, Q6, Q2, or  $\overline{RY/BY}$ . See "Write Operation Status" for information on these status bits. When the Automatic Erase algorithm is complete, the device returns to reading array data and addresses are no longer latched.

Figure 3 illustrates the algorithm for the erase operation. See the Erase/Program Operations tables in "AC Characteristics" for parameters, and to Figure 16 for timing diagrams.

## SECTOR ERASE COMMANDS

The Automatic Sector Erase does not require the device to be entirely pre-programmed prior to executing the Automatic Set-up Sector Erase command and Automatic Sector Erase command. Upon executing the Automatic Sector Erase command, the device will automatically program and verify the sector(s) memory for an all-zero data pattern. The system is not required to provide any control or timing during these operations.

When the sector(s) is automatically verified to contain an all-zero pattern, a self-timed sector erase and verify begin. The erase and verify operations are complete when the data on Q7 is "1" and the data on Q6 stops toggling for two consecutive read cycles, at which time the device returns to the Read mode. The system is not required to provide any control or timing during these operations.

When using the Automatic Sector Erase algorithm, note that the erase automatically terminates when adequate erase margin has been achieved for the memory array (no erase verification command is required). Sector erase is a six-bus cycle operation. There are two "unlock" write cycles. These are followed by writing the set-up command 80H. Two more "unlock" write cycles are then followed by the sector erase command 30H. The sector address is latched on the falling edge of  $\overline{WE}$  or  $\overline{CE}$ , whichever

happens later, while the command(data) is latched on the rising edge of  $\overline{WE}$  or  $\overline{CE}$ , whichever happens first. Sector addresses selected are loaded into internal register on the sixth falling edge of  $\overline{WE}$  or  $\overline{CE}$ , whichever happens later. Each successive sector load cycle started by the falling edge of  $\overline{WE}$  or  $\overline{CE}$ , whichever happens later must begin within 50us from the rising edge of the preceding  $\overline{WE}$  or  $\overline{CE}$ , whichever happens first. Otherwise, the loading period ends and internal auto sector erase cycle starts. (Monitor Q3 to determine if the sector erase timer window is still open, see section Q3, Sector Erase Timer.) Any command other than Sector Erase(30H) or Erase Suspend(B0H) during the time-out period resets the device to read mode.

### **ERASE SUSPEND**

This command only has meaning while the state machine is executing Automatic Sector Erase operation, and therefore will only be responded during Automatic Sector Erase operation. When the Erase Suspend command is issued during the sector erase operation, the device requires a maximum 20us to suspend the sector erase operation. However, When the Erase Suspend command is written during the sector erase time-out, the device immediately terminates the time-out period and suspends the erase operation. After this command has been executed, the command register will initiate erase suspend mode. The state machine will return to read mode automatically after suspend is ready. At this time, state machine only allows the command register to respond to the Erase Resume, program data to, or read data from any sector not selected for erasure.

The system can determine the status of the program operation using the Q7 or Q6 status bits, just as in the standard program operation. After an erase-suspend program operation is complete, the system can once again read array data within non-suspended blocks.

### **ERASE RESUME**

This command will cause the command register to clear the suspend state and return back to Sector Erase mode but only if an Erase Suspend command was previously issued. Erase Resume will not have any effect in all other conditions. Another Erase Suspend command can be written after the chip has resumed erasing.

### **QUERY COMMAND AND COMMON FLASH INTERFACE (CFI) MODE**

MX29LV065 is capable of operating in the CFI mode. This mode all the host system to determine the manufacturer of the device such as operating parameters and configuration. Two commands are required in CFI mode. Query command of CFI mode is placed first, then the Reset command exits CFI mode. These are described in Table 3.

The single cycle Query command is valid only when the device is in the Read mode, including Erase Suspend, Standby mode, and Read ID mode; however, it is ignored otherwise.

The Reset command exits from the CFI mode to the Read mode, or Erase Suspend mode, or read ID mode. The command is valid only when the device is in the CFI mode.

**Table 4-1. CFI mode: Identification Data Values**

(All values in these tables are in hexadecimal)

Description	Address h	Data h
Query-unique ASCII string "QRY"	10	0051
	11	0052
	12	0059
Primary vendor command set and control interface ID code	13	0002
	14	0000
Address for primary algorithm extended query table	15	0040
	16	0000
Alternate vendor command set and control interface ID code (none)	17	0000
	18	0000
Address for secondary algorithm extended query table (none)	19	0000
	1A	0000

**Table 4-2. CFI Mode: System Interface Data Values**

Description	Address h	Data h
VCC supply, minimum (2.7V)	1B	27
VCC supply, maximum (3.6V)	1C	36
VPP supply, minimum (none)	1D	00
VPP supply, maximum (none)	1E	00
Typical timeout for single byte write ( $2^N$ us)	1F	04
Typical timeout for maximum size buffer write ( $2^N$ us)	20	00
Typical timeout for individual block erase ( $2^N$ ms)	21	0A
Typical timeout for full chip erase ( $2^N$ ms)	22	00
Maximum timeout for single byte write times ( $2^N \times \text{Typ}$ )	23	05
Maximum timeout for maximum size buffer write times ( $2^N \times \text{Typ}$ )	24	00
Maximum timeout for individual block erase times ( $2^N \times \text{Typ}$ )	25	04
Maximum timeout for full chip erase times (not supported)	26	00

**Table 4-3. CFI Mode: Device Geometry Data Values**

Description	Address h	Data h
Device size (2 <sup>n</sup> bytes)	27	17
Flash device interface code (02=asynchronous x8/x16)	28	00
	29	00
Maximum number of bytes in multi-byte write (not supported)	2A	00
	2B	00
Number of erase block regions	2C	01
Erase block region 1 information	2D	7F
[2E, 2D] = # of blocks in region -1	2E	00
[30, 2F] = size in multiples of 256-bytes	2F	00
	30	01
Erase Block Region 2 Information (refer to CFI publication 100)	31h	00
	32h	00
	33h	00
	34h	00
Erase Block Region 3 Information (refer to CFI publication 100)	35h	00
	36h	00
	37h	00
	38h	00
Erase Block Region 4 Information (refer to CFI publication 100)	39h	00
	3Ah	00
	3Bh	00
	3Ch	00

**Table 4-4. CFI Mode: Primary Vendor-Specific Extended Query Data Values**

Description	Address h	Data h
Query-unique ASCII string "PRI"	40	50
	41	52
	42	49
Major version number, ASCII	43	31
Minor version number, ASCII	44	31
Address sensitive unlock (0=required, 1= not required)	45	01
Erase suspend (2= to read and write)	46	02
Sector protect (N= # of sectors/group)	47	04
Temporary sector unprotect (1=supported)	48	01
Sector protect/unprotect scheme (04=29LV800 mode)	49	04
Simultaneous R/W operation (0=not supported)	4A	00
Burst mode type (0=not supported)	4B	00
Page mode type (0=not supported)	4C	00
ACC (Acceleration) Supply Minimum	4Dh	00
00h=Not Supported, D7-D4: Volt, D3-D0:100mV		
ACC (Acceleration) Supply Maximum	4Eh	00
00h=Not Supported, D7-D4: Volt, D3-D0:100mV		
Top/Bottom Boot Sector Flag	4Fh	00
02h=Bottom Boot Device, 03h=Top BootnDevice		



## WRITE OPERATION STATUS

The device provides several bits to determine the status of a write operation: Q2, Q3, Q5, Q6, Q7, and RY/BY. Table 10 and the following subsections describe the functions of these bits. Q7, RY/BY, and Q6 each offer a method for determining whether a program or erase op-

eration is complete or in progress. These three bits are discussed first.

**Table 5. Write Operation Status**

	Status	Q7 Note1	Q6	Q5 Note2	Q3	Q2	RY/BY	
In Progress	Byte Program in Auto Program Algorithm	$\overline{Q7}$	Toggle	0	N/A	No Toggle	0	
	Auto Erase Algorithm	0	Toggle	0	1	Toggle	0	
	Erase Suspended Mode	Erase Suspend Read (Erase Suspended Sector)	1	No Toggle	0	N/A	Toggle	1
		Erase Suspend Read (Non-Erase Suspended Sector)	Data	Data	Data	Data	Data	1
	Erase Suspend Program	$\overline{Q7}$	Toggle	0	N/A	N/A	0	
Exceeded Time Limits	Byte Program in Auto Program Algorithm	$\overline{Q7}$	Toggle	1	N/A	No Toggle	0	
	Auto Erase Algorithm	0	Toggle	1	1	Toggle	0	
	Erase Suspend Program	$\overline{Q7}$	Toggle	1	N/A	N/A	0	

**Notes:**

1. Performing successive read operations from the erase-suspended sector will cause Q2 to toggle.
2. Performing successive read operations from any address will cause Q6 to toggle.
3. Reading the byte address being programmed while in the erase-suspend program mode will indicate logic "1" at the Q2 bit.  
However, successive reads from the erase-suspended sector will cause Q2 to toggle.

### **Q7: Data Polling**

The Data Polling bit, Q7, indicates to the host system whether an Automatic Algorithm is in progress or completed, or whether the device is in Erase Suspend. Data Polling is valid after the rising edge of the final  $\overline{WE}$  pulse in the program or erase command sequence.

During the Automatic Program algorithm, the device outputs on Q7 the complement of the datum programmed to Q7. This Q7 status also applies to programming during Erase Suspend. When the Automatic Program algorithm is complete, the device outputs the datum programmed to Q7. The system must provide the program address to read valid status information on Q7. If a program address falls within a protected sector, Data Polling on Q7 is active for approximately 1 us, then the device returns to reading array data.

During the Automatic Erase algorithm, Data Polling produces a "0" on Q7. When the Automatic Erase algorithm is complete, or if the device enters the Erase Suspend mode, Data Polling produces a "1" on Q7. This is analogous to the complement/true datum output described for the Automatic Program algorithm: the erase function changes all the bits in a sector to "1" prior to this, the device outputs the "complement," or "0." The system must provide an address within any of the sectors selected for erasure to read valid status information on Q7.

After an erase command sequence is written, if all sectors selected for erasing are protected, Data Polling on Q7 is active for approximately 100 us, then the device returns to reading array data. If not all selected sectors are protected, the Automatic Erase algorithm erases the unprotected sectors, and ignores the selected sectors that are protected.

When the system detects Q7 has changed from the complement to true data, it can read valid data at Q7-Q0 on the following read cycles. This is because Q7 may change asynchronously with Q0-Q6 while Output Enable ( $\overline{OE}$ ) is asserted low.

### **Q6: Toggle BIT I**

Toggle Bit I on Q6 indicates whether an Automatic Program or Erase algorithm is in progress or complete, or whether the device has entered the Erase Suspend mode. Toggle Bit I may be read at any address, and is valid

after the rising edge of the final  $\overline{WE}$  or  $\overline{CE}$ , whichever happens first pulse in the command sequence (prior to the program or erase operation), and during the sector time-out.

During an Automatic Program or Erase algorithm operation, successive read cycles to any address cause Q6 to toggle. The system may use either  $\overline{OE}$  or  $\overline{CE}$  to control the read cycles. When the operation is complete, Q6 stops toggling.

After an erase command sequence is written, if all sectors selected for erasing are protected, Q6 toggles for 100us and returns to reading array data. If not all selected sectors are protected, the Automatic Erase algorithm erases the unprotected sectors, and ignores the selected sectors that are protected.

The system can use Q6 and Q2 together to determine whether a sector is actively erasing or is erase suspended. When the device is actively erasing (that is, the Automatic Erase algorithm is in progress), Q6 toggling. When the device enters the Erase Suspend mode, Q6 stops toggling. However, the system must also use Q2 to determine which sectors are erasing or erase-suspended. Alternatively, the system can use Q7.

If a program address falls within a protected sector, Q6 toggles for approximately 2us after the program command sequence is written, then returns to reading array data.

Q6 also toggles during the erase-suspend-program mode, and stops toggling once the Automatic Program algorithm is complete.

Table 4 shows the outputs for Toggle Bit I on Q6.

### **Q2: Toggle Bit II**

The "Toggle Bit II" on Q2, when used with Q6, indicates whether a particular sector is actively erasing (that is, the Automatic Erase algorithm is in process), or whether that sector is erase-suspended. Toggle Bit II is valid after the rising edge of the final  $\overline{WE}$  or  $\overline{CE}$ , whichever happens first pulse in the command sequence.

Q2 toggles when the system reads at addresses within those sectors that have been selected for erasure. (The system may use either  $\overline{OE}$  or  $\overline{CE}$  to control the read

cycles.) But Q2 cannot distinguish whether the sector is actively erasing or is erase-suspended. Q6, by comparison, indicates whether the device is actively erasing, or is in Erase Suspend, but cannot distinguish which sectors are selected for erasure. Thus, both status bits are required for sectors and mode information. Refer to Table 4 to compare outputs for Q2 and Q6.

### Reading Toggle Bits Q6/ Q2

Whenever the system initially begins reading toggle bit status, it must read Q7-Q0 at least twice in a row to determine whether a toggle bit is toggling. Typically, the system would note and store the value of the toggle bit after the first read. After the second read, the system would compare the new value of the toggle bit with the first. If the toggle bit is not toggling, the device has completed the program or erase operation. The system can read array data on Q7-Q0 on the following read cycle.

However, if after the initial two read cycles, the system determines that the toggle bit is still toggling, the system also should note whether the value of Q5 is high (see the section on Q5). If it is, the system should then determine again whether the toggle bit is toggling, since the toggle bit may have stopped toggling just as Q5 went high. If the toggle bit is no longer toggling, the device has successfully completed the program or erase operation. If it is still toggling, the device did not complete the operation successfully, and the system must write the reset command to return to reading array data.

The remaining scenario is that system initially determines that the toggle bit is toggling and Q5 has not gone high. The system may continue to monitor the toggle bit and Q5 through successive read cycles, determining the status as described in the previous paragraph. Alternatively, it may choose to perform other system tasks. In this case, the system must start at the beginning of the algorithm when it returns to determine the status of the operation.

### Q5:Program/Erase Timing

Q5 will indicate if the program or erase time has exceeded the specified limits (internal pulse count). Under these conditions Q5 will produce a "1". This time-out condition indicates that the program or erase cycle was not successfully completed. Data Polling and Toggle Bit are the

only operating functions of the device under this condition.

If this time-out condition occurs during sector erase operation, it specifies that a particular sector is bad and it may not be reused. However, other sectors are still functional and may be used for the program or erase operation. The device must be reset to use other sectors. Write the Reset command sequence to the device, and then execute program or erase command sequence. This allows the system to continue to use the other active sectors in the device.

If this time-out condition occurs during the chip erase operation, it specifies that the entire chip is bad or combination of sectors are bad.

If this time-out condition occurs during the byte programming operation, it specifies that the entire sector containing that byte is bad and this sector may not be reused, (other sectors are still functional and can be reused).

The time-out condition may also appear if a user tries to program a non blank location without erasing. In this case the device locks out and never completes the Automatic Algorithm operation. Hence, the system never reads a valid data on Q7 bit and Q6 never stops toggling. Once the Device has exceeded timing limits, the Q5 bit will indicate a "1". Please note that this is not a device failure condition since the device was incorrectly used.

The Q5 failure condition may appear if the system tries to program a to a "1" location that is previously programmed to "0". Only an erase operation can change a "0" back to a "1". Under this condition, the device halts the operation, and when the operation has exceeded the timing limits, Q5 produces a "1".

### Q3:Sector Erase Timer

After the completion of the initial sector erase command sequence, the sector erase time-out will begin. Q3 will remain low until the time-out is complete. Data Polling and Toggle Bit are valid after the initial sector erase command sequence.

If Data Polling or the Toggle Bit indicates the device has been written with a valid erase command, Q3 may be used to determine if the sector erase timer window is

still open. If Q3 is high ("1") the internally controlled erase cycle has begun; attempts to write subsequent commands to the device will be ignored until the erase operation is completed as indicated by Data Polling or Toggle Bit. If Q3 is low ("0"), the device will accept additional sector erase commands. To insure the command has been accepted, the system software should check the status of Q3 prior to and following each subsequent sector erase command. If Q3 were high on the second status check, the command may not have been accepted.

If the time between additional erase commands from the system can be less than 50us, the system need not to monitor Q3.

### **RY/BY:READY/BUSY OUTPUT**

The RY/BY is a dedicated, open-drain output pin that indicates whether an Embedded Algorithm is in progress or complete. The RY/BY status is valid after the rising edge of the final WE pulse in the command sequence. Since RY/BY is an open-drain output, several RY/BY pins can be tied together in parallel with a pull-up resistor to VCC .

If the output is low (Busy), the device is actively erasing or programming. (This includes programming in the Erase Suspend mode.) If the output is high (Ready), the device is ready to read array data (including during the Erase Suspend mode), or is in the standby mode.

**ABSOLUTE MAXIMUM RATINGS**

Storage Temperature	
Plastic Packages . . . . .	-65°C to +150°C
Ambient Temperature	
with Power Applied. . . . .	-65°C to +125°C
Voltage with Respect to Ground	
VCC (Note 1) . . . . .	-0.5 V to +4.0 V
A9, $\overline{OE}$ , and	
RESET (Note 2) . . . . .	-0.5 V to +12.5 V
All other pins (Note 1) . . . . .	-0.5 V to VCC +0.5 V
Output Short Circuit Current (Note 3) . . . . .	200 mA

## Notes:

1. Minimum DC voltage on input or I/O pins is -0.5 V. During voltage transitions, input or I/O pins may overshoot VSS to -2.0 V for periods of up to 20 ns. See Figure 6. Maximum DC voltage on input or I/O pins is VCC +0.5 V. During voltage transitions, input or I/O pins may overshoot to VCC +2.0 V for periods up to 20 ns. See Figure 7.
2. Minimum DC input voltage on pins A9,  $\overline{OE}$ , and RESET is -0.5 V. During voltage transitions, A9,  $\overline{OE}$ , and RESET may overshoot VSS to -2.0 V for periods of up to 20 ns. See Figure 6. Maximum DC input voltage on pin A9 is +12.5 V which may overshoot to 14.0 V for periods up to 20 ns.
3. No more than one output may be shorted to ground at a time. Duration of the short circuit should not be greater than one second.

Stresses above those listed under "Absolute Maximum Ratings" may cause permanent damage to the device. This is a stress rating only; functional operation of the device at these or any other conditions above those indicated in the operational sections of this data sheet is not implied. Exposure of the device to absolute maximum rating conditions for extended periods may affect device reliability.

**OPERATING RATINGS****Commercial (C) Devices**Ambient Temperature (T<sub>A</sub>) . . . . . 0°C to +70°C**Industrial (I) Devices**Ambient Temperature (T<sub>A</sub>) . . . . . -40°C to +85°C**V<sub>CC</sub> Supply Voltages**V<sub>CC</sub> for full voltage range. . . . . +2.7 V to 3.6 V

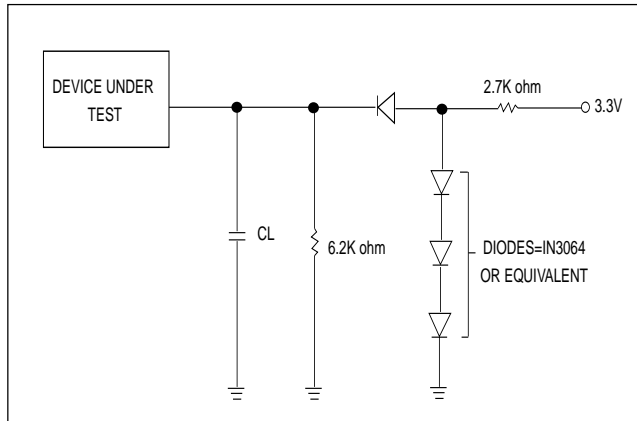
Operating ranges define those limits between which the functionality of the device is guaranteed.

**DC CHARACTERISTICS TA=-40°C to 85°C, VCC=2.7V~3.6V**

Parameter	Description	Test Conditions	Min	Typ	Max	Unit
I LI	Input Load Current (Note 1)	VIN = VSS to VCC , VCC = VCC max			±1.0	uA
I LIT	A9 Input Load Current	VCC=VCC max; A9 = 12.5V			35	uA
I LO	Output Leakage Current	VOUT = VSS to VCC , VCC= VCC max			±1.0	uA
ICC1	VCC Active Read Current (Notes2,3)	$\overline{CE}$ = VIL, $\overline{OE}$ = VIH	5 MHz	9	16	mA
			1 MHz	2	4	mA
ICC2	VCC Active Write Current (Notes 2,4)	$\overline{CE}$ = V IL , $\overline{OE}$ = V IH		26	30	mA
ICC3	VCC Standby Current (Note 2)	$\overline{CE}$ ,RESET=VCC±0.3V		0.2	15	uA
ICC4	VCC Reset Current (Note 2)	$\overline{RESET}$ =VSS±0.3V		0.2	15	uA
ICC5	Automatic Sleep Mode (Note 2)	VIL = VSS ± 0.3 V, VIH = VCC ± 0.3 V		0.2	15	uA
VIL	Input Low Voltage (Note 5)		-0.5		0.8	V
VIH	Input High Voltage (Note 5)		0.7xVcc		Vcc+0.3	V
VID	Voltage for Auto-select and Temporary Sector Unprotected	VCC = 3.0 V ± 10%	8.5		12.5	V
VOL	Output Low Voltage	IOL= 4.0mA,VCC=VCC min			0.45	V
VOH1	Output High Voltage	IOH=-2.0mA,VCC=VCC min	0.85VCC			V
VOH2		IOH=-100uA,VCC=VCC min	VCC-0.4			V
VLKO	Low V CC Lock-Out Voltage (Note 4)		2.3		2.5	V

**Notes:**

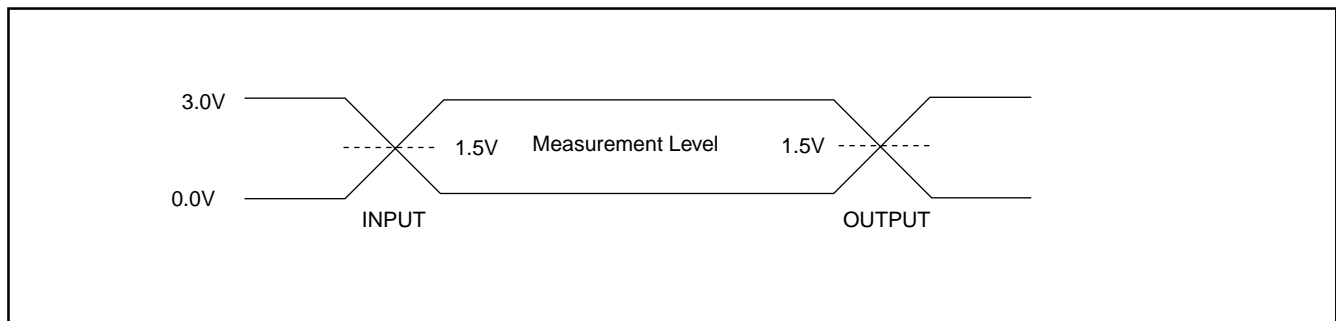
1. The ICC current listed is typically less than 2mA/MHz, with  $\overline{OE}$  at VIH.
2. Maximum ICC specifications are tested with VCC = VCC max.
3. ICC active while Embedded Erase or Embedded Program is in progress.
4. Automatic sleep mode enables the low power mode when addresses remain stable for t ACC + 30 ns. Typical sleep mode current is 200 nA.
5. Not 100% tested.

**SWITCHING TEST CIRCUITS**

**TEST SPECIFICATIONS**

Test Condition	90	12	Unit
Output Load	1 TTL gate		
Output Load Capacitance, CL (including jig capacitance)	30	100	pF
Input Rise and Fall Times	5		ns
Input Pulse Levels	0.0-3.0		V
Input timing measurement reference levels	1.5		V
Output timing measurement reference levels	1.5		V

**KEY TO SWITCHING WAVEFORMS**

WAVEFORM	INPUTS	OUTPUTS
	Steady	
	Changing from H to L	
	Changing from L to H	
	Don't Care, Any Change Permitted	Changing, State Unknown
	Does Not Apply	Center Line is High Impedance State(High Z)

**SWITCHING TEST WAVEFORMS**


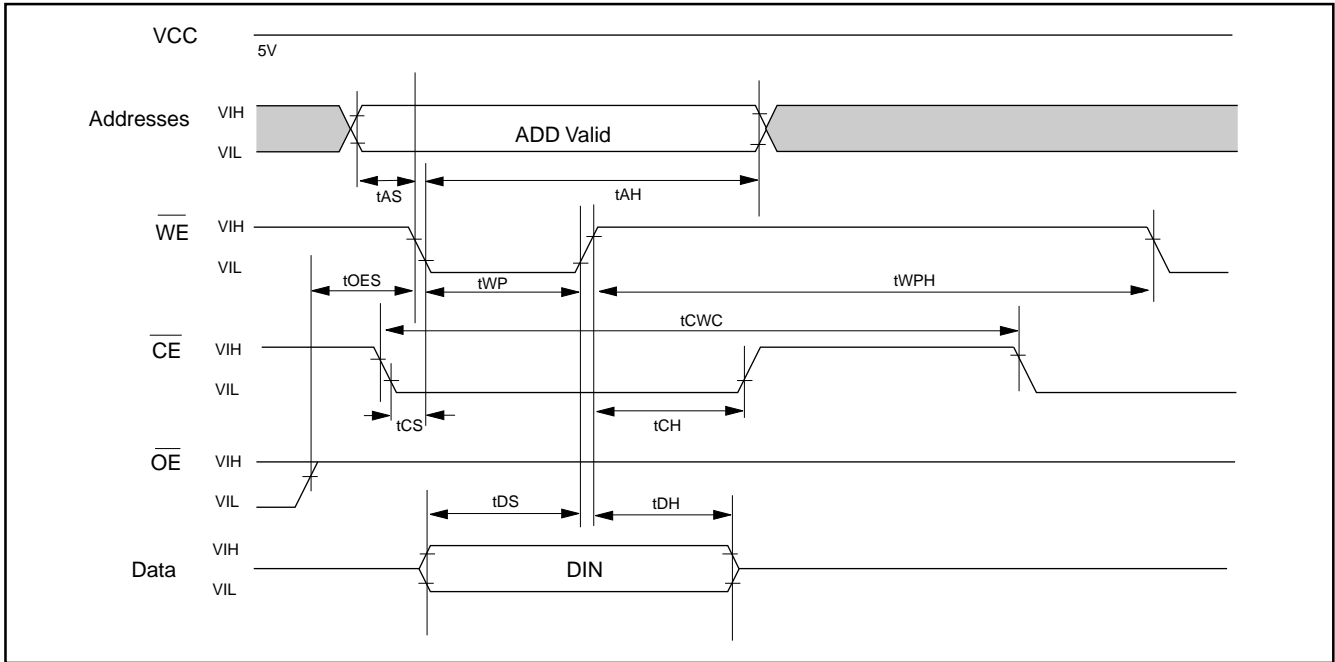
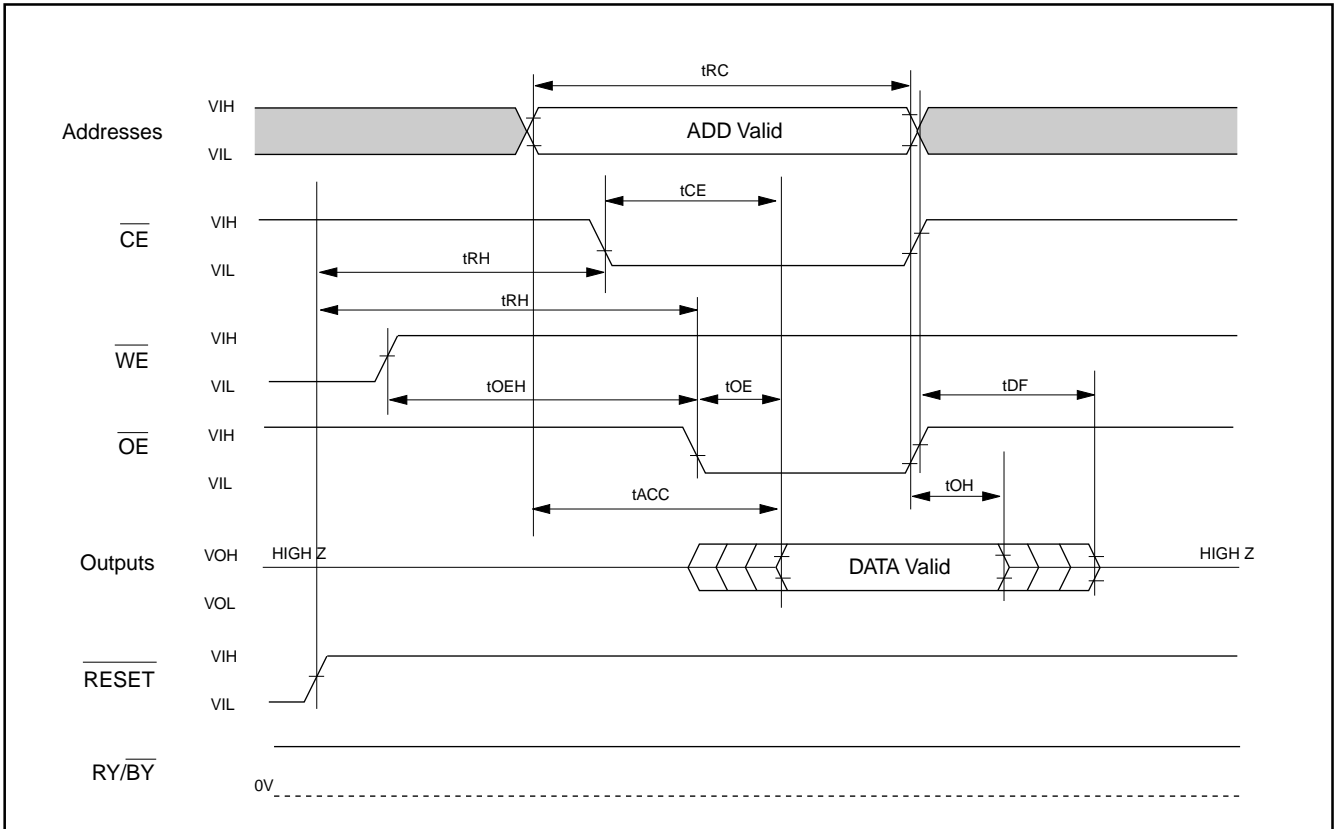
**AC CHARACTERISTICS**
**Read-Only Operations TA=-40°C to 85°C, VCC=2.7V~3.6V**

Parameter Std.	Description	Test Setup		Speed Options		Unit
				90	12	
tRC	Read Cycle Time (Note 1)		Min	90	120	ns
tACC	Address to Output Delay	$\overline{CE}, \overline{OE}=VIL$	Max	90	120	ns
tCE	Chip Enable to Output Delay	$\overline{OE}=VIL$	Max	90	120	ns
tOE	Output Enable to Output Delay		Max	35	50	ns
tDF	Chip Enable to Output High Z (Note 1)		Max	30	30	ns
tDF	Output Enable to Output High Z (Note 1)		Max	30	30	ns
tOH	Output Hold Time From Address, $\overline{CE}$ or $\overline{OE}$ , whichever Occurs First		Min	0		ns
tOEH	Output Enable Hold Time (Note 1)	Read	Min	0		ns
		Toggle and Data Polling	Min	10		ns

Notes:

1. Not 100% tested.
2. See SWITCHING TEST CIRCUITS and TEST SPECIFICATIONS TABLE for test specifications.

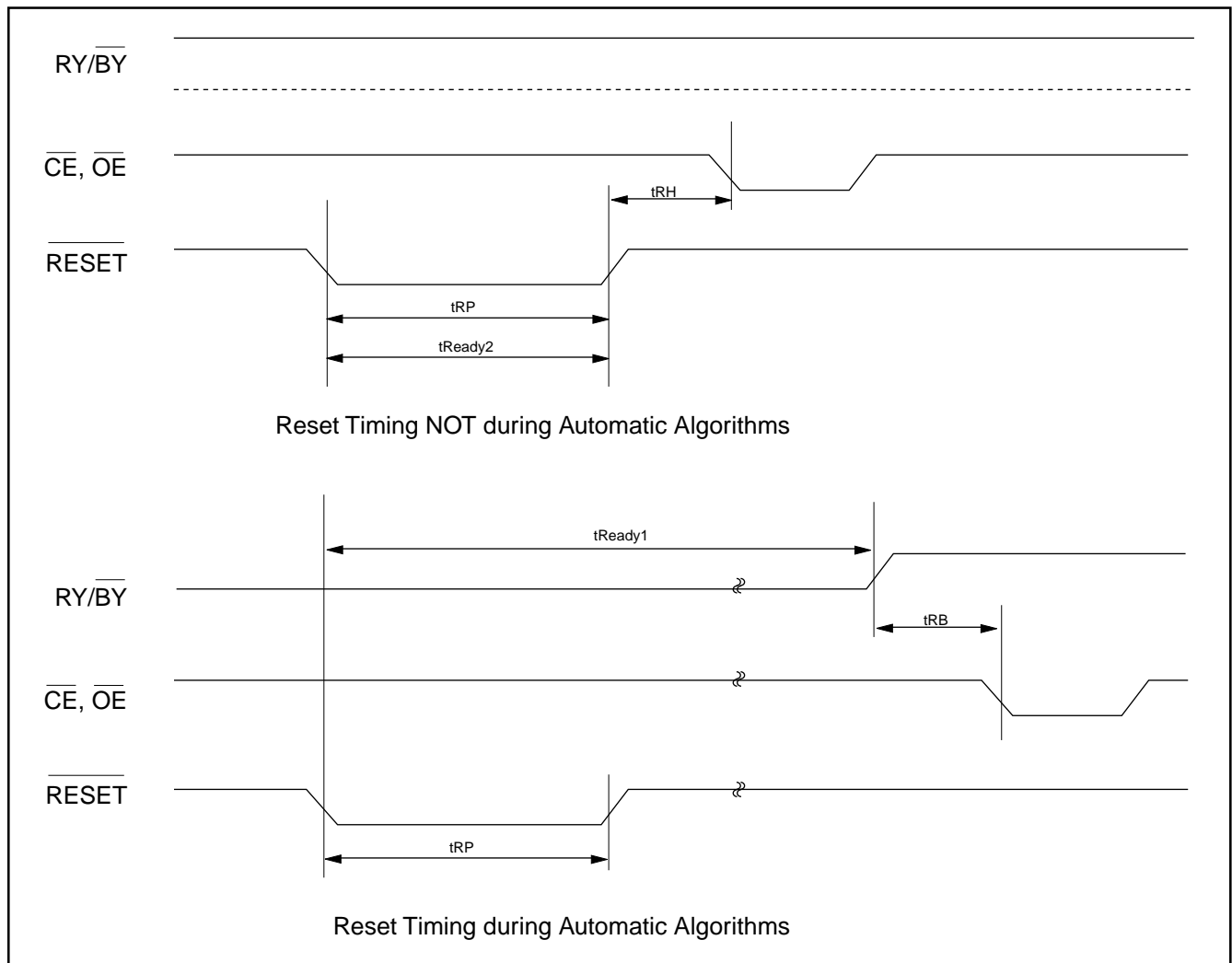


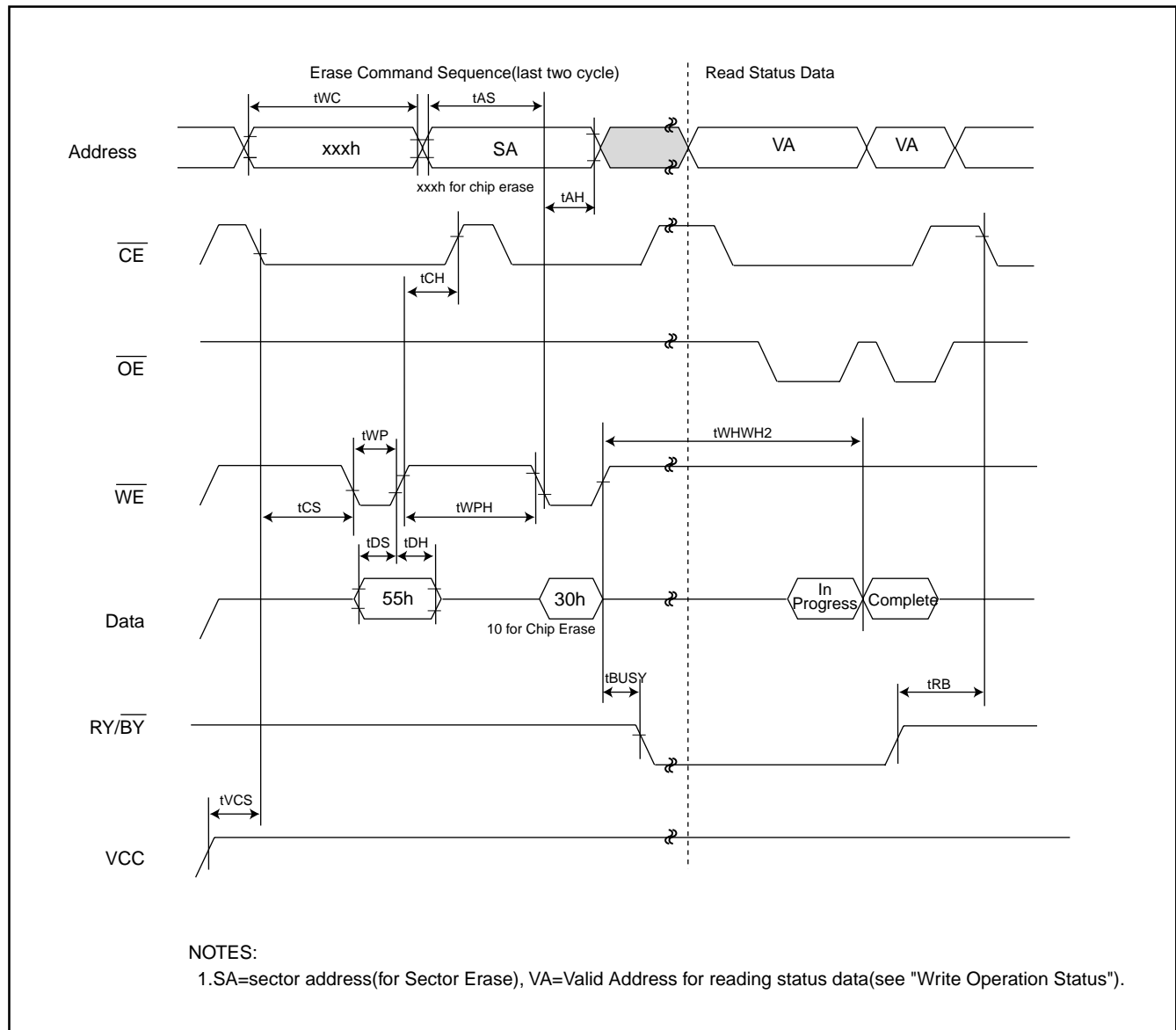
**Fig 1. COMMAND WRITE OPERATION**

**READ/RESET OPERATION**
**Fig 2. READ TIMING WAVEFORMS**


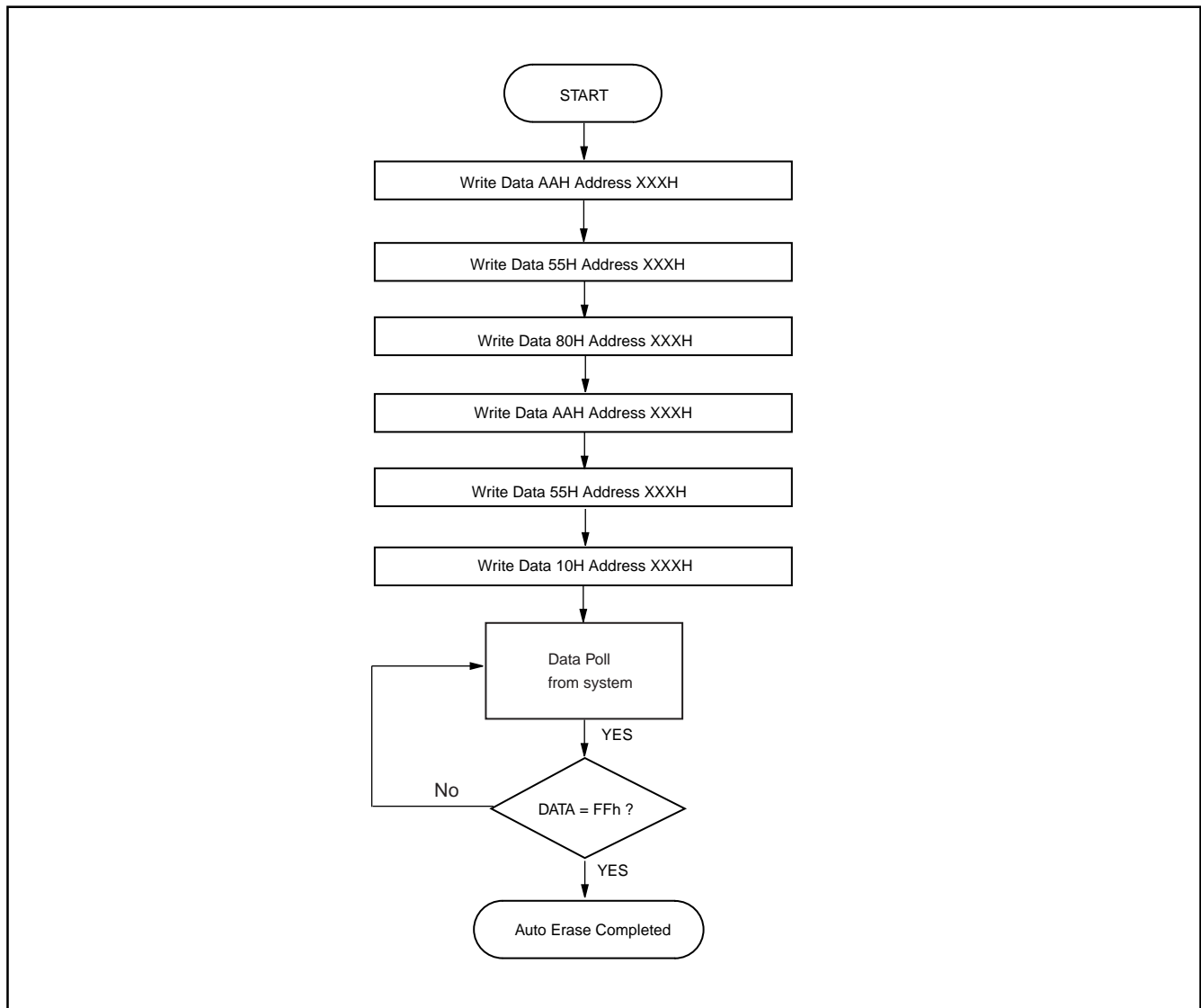
**AC CHARACTERISTICS**

Parameter	Description	Test Setup	All Speed Options	Unit
tREADY1	RESET PIN Low (During Automatic Algorithms) to Read or Write (See Note)	MAX	20	us
tREADY2	RESET PIN Low (NOT During Automatic Algorithms) to Read or Write (See Note)	MAX	500	ns
tRP	RESET Pulse Width (NOT During Automatic Algorithms)	MIN	500	ns
tRH	RESET High Time Before Read(See Note)	MIN	50	ns
tRB	RY/BY Recovery Time(to CE, OE go low)	MIN	0	ns
tRPD	RESET Low to Standby Mode	MIN	20	us

Note:Not 100% tested

**Fig 3. RESET TIMING WAVEFORM**


**ERASE/PROGRAM OPERATION**
**Fig 4. AUTOMATIC CHIP/SECTOR ERASE TIMING WAVEFORM**


**Fig 5. AUTOMATIC CHIP ERASE ALGORITHM FLOWCHART**

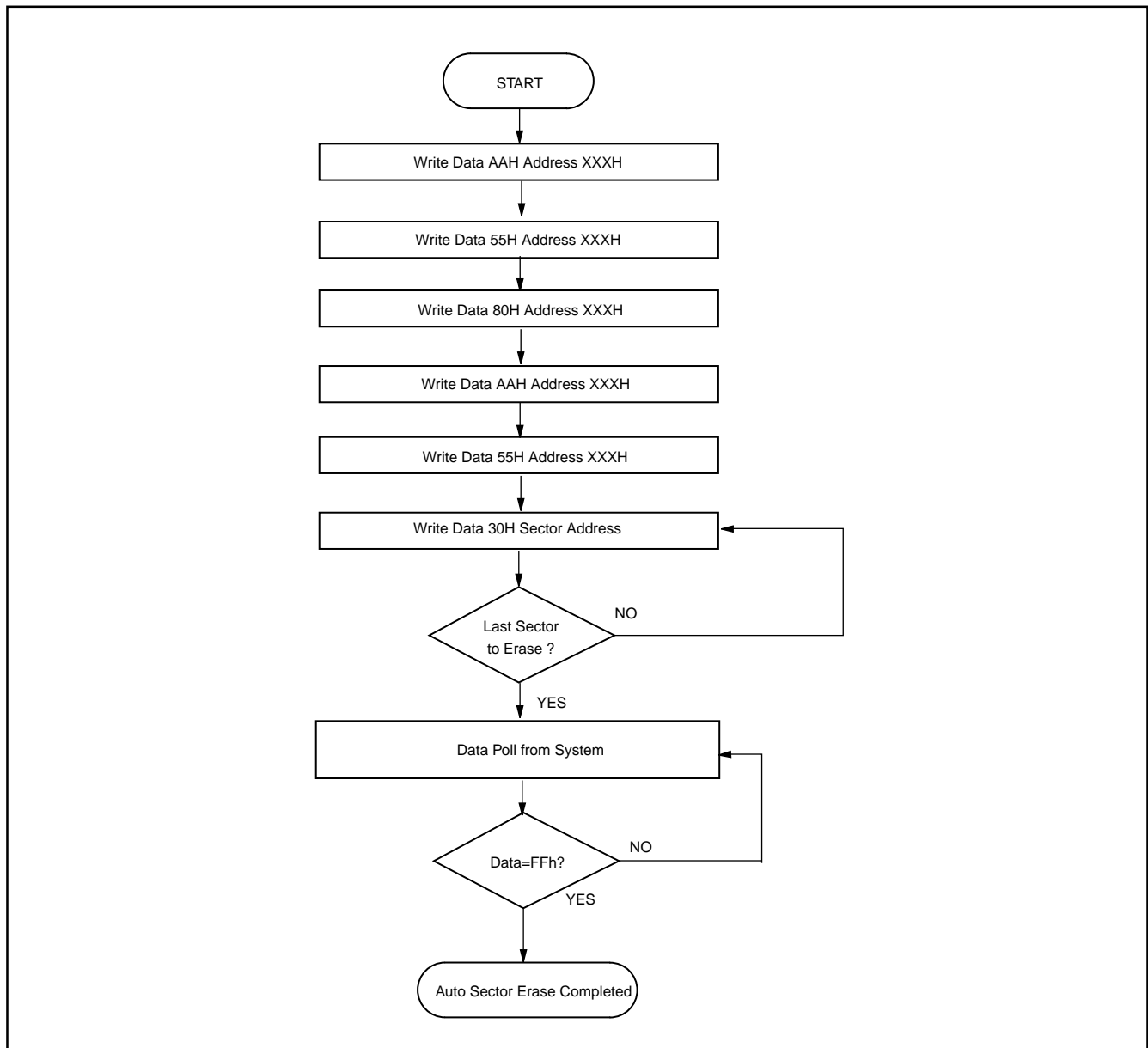
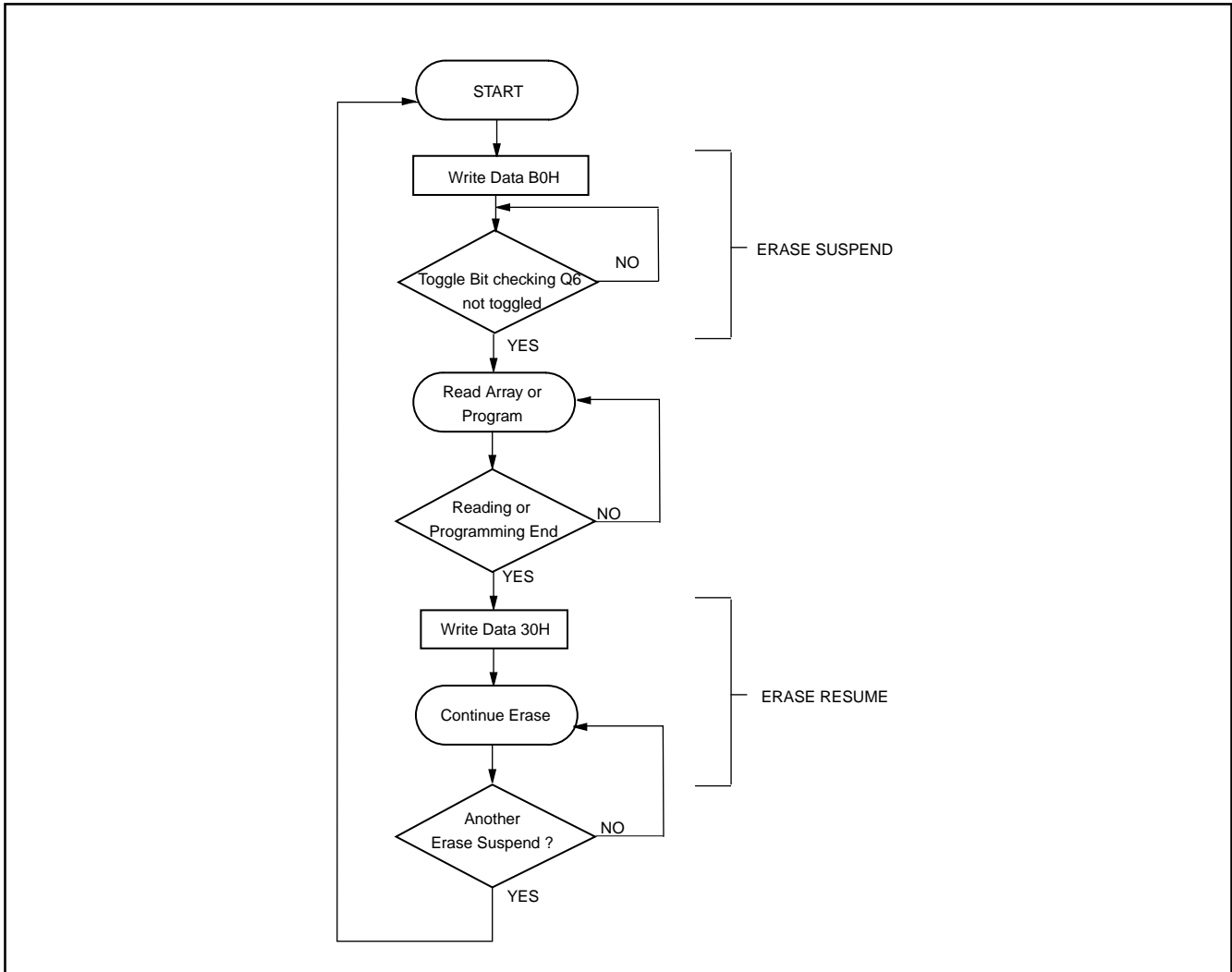
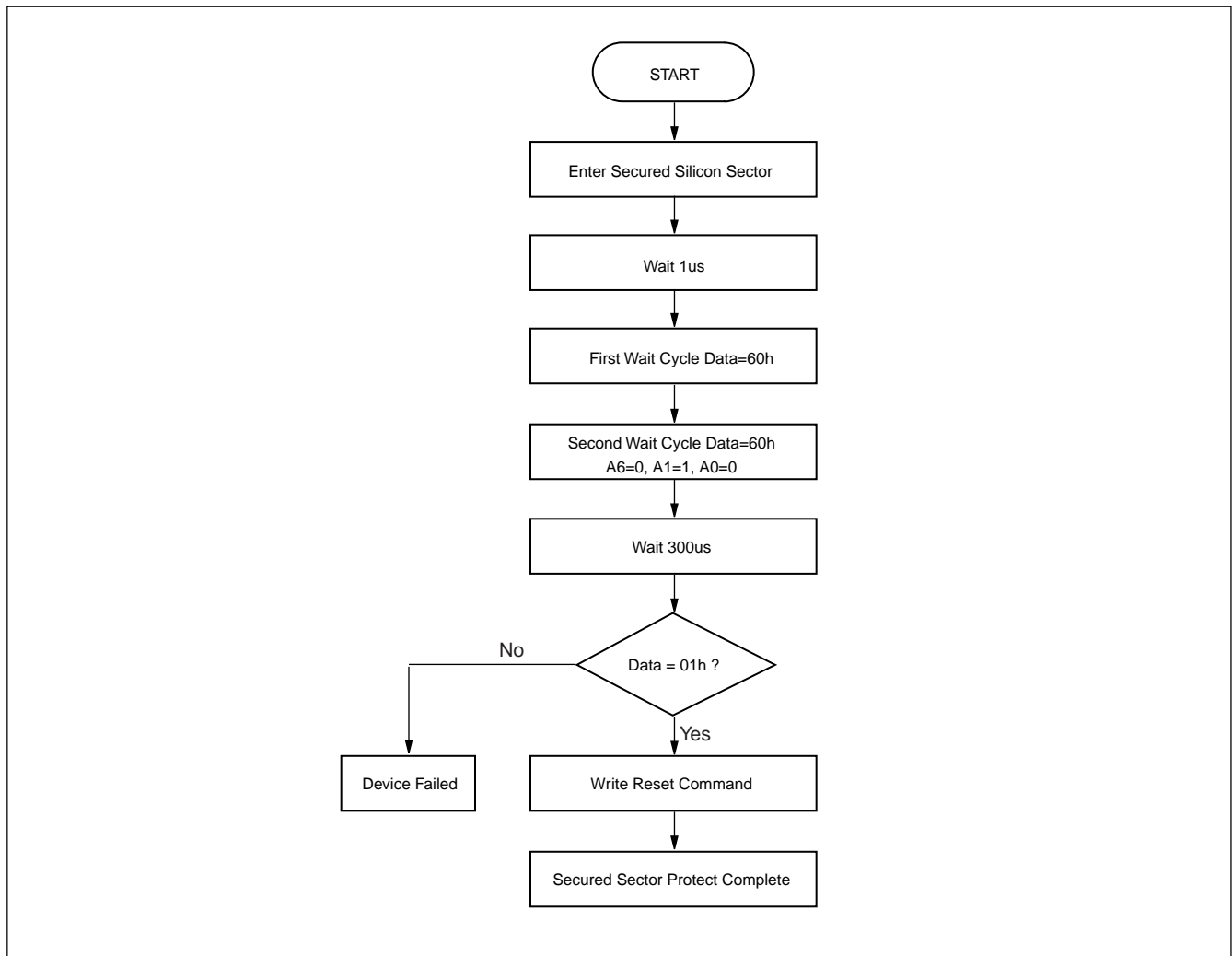
**Fig 6. AUTOMATIC SECTOR ERASE ALGORITHM FLOWCHART**

Fig 7. ERASE SUSPEND/RESUME FLOWCHART



**Fig 8. SECURED SILICON SECTOR PROTECTED ALGORITHMS FLOWCHART**

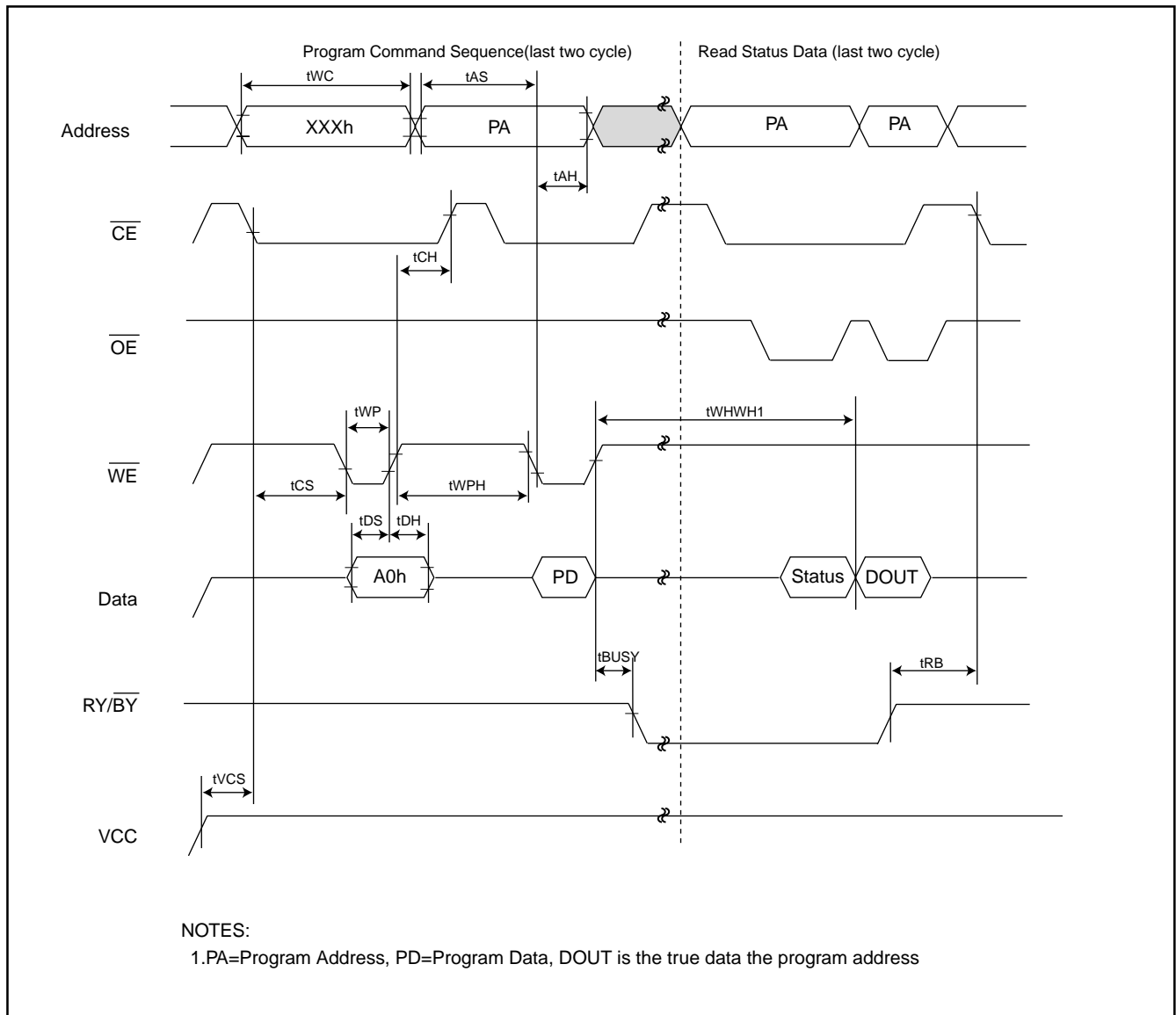
**AC CHARACTERISTICS**
**Erase and Program Operations TA=-40°C to 85°C, VCC=2.7V~3.6V**

Parameter Std.	Description		Speed Options		Unit
			90	12	
tWC	Write Cycle Time (Note 1)	Min	90	120	ns
tAS	Address Setup Time	Min	0		ns
tASO	Address Setup Time to $\overline{OE}$ low during toggle bit polling	Min	15		ns
tAH	Address Hold Time	Min	45	50	ns
tAHT	Address Hold Time From $\overline{CE}$ or $\overline{OE}$ high during toggle bit polling	Min	0		ns
tDS	Data Setup Time	Min	45	50	ns
tDH	Data Hold Time	Min	0		ns
tOEPH	Output Enable High during toggle bit polling	Min	20		ns
tGHWL	Read Recovery Time Before Write ( $\overline{OE}$ High to $\overline{WE}$ Low)	Min	0		ns
tCS	$\overline{CE}$ Setup Time	Min	0		ns
tCH	$\overline{CE}$ Hold Time	Min	0		ns
tWP	Write Pulse Width	Min	35	50	ns
tWPH	Write Pulse Width High	Min	30		ns
tWHWH1	Byte Programming Operation (Note 2)	Typ	7		us
tWHWH2	Sector Erase Operation (Note 2)	Typ	1.6		sec
tVCS	VCC Setup Time (Note 1)	Min	50		us
tRB	Write Recovery Time from RY/BY	Min	0		ns
tBUSY	Program/Erase Valid to RY/BY Delay	Min	90		ns

Notes:

1. Not 100% tested.
2. See the "Erase And Programming Performance" section for more information.



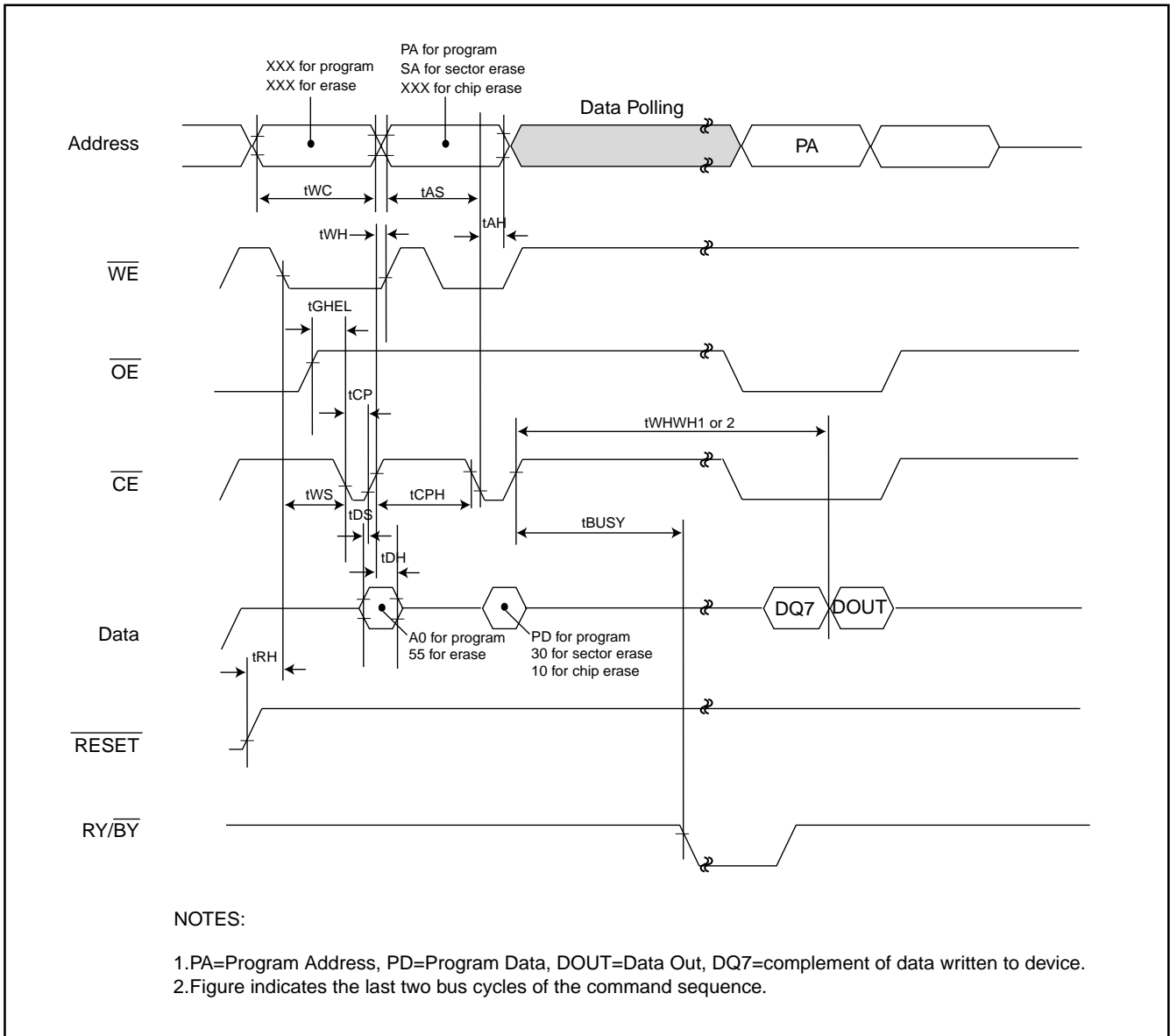
**Fig 9. AUTOMATIC PROGRAM TIMING WAVEFORMS**


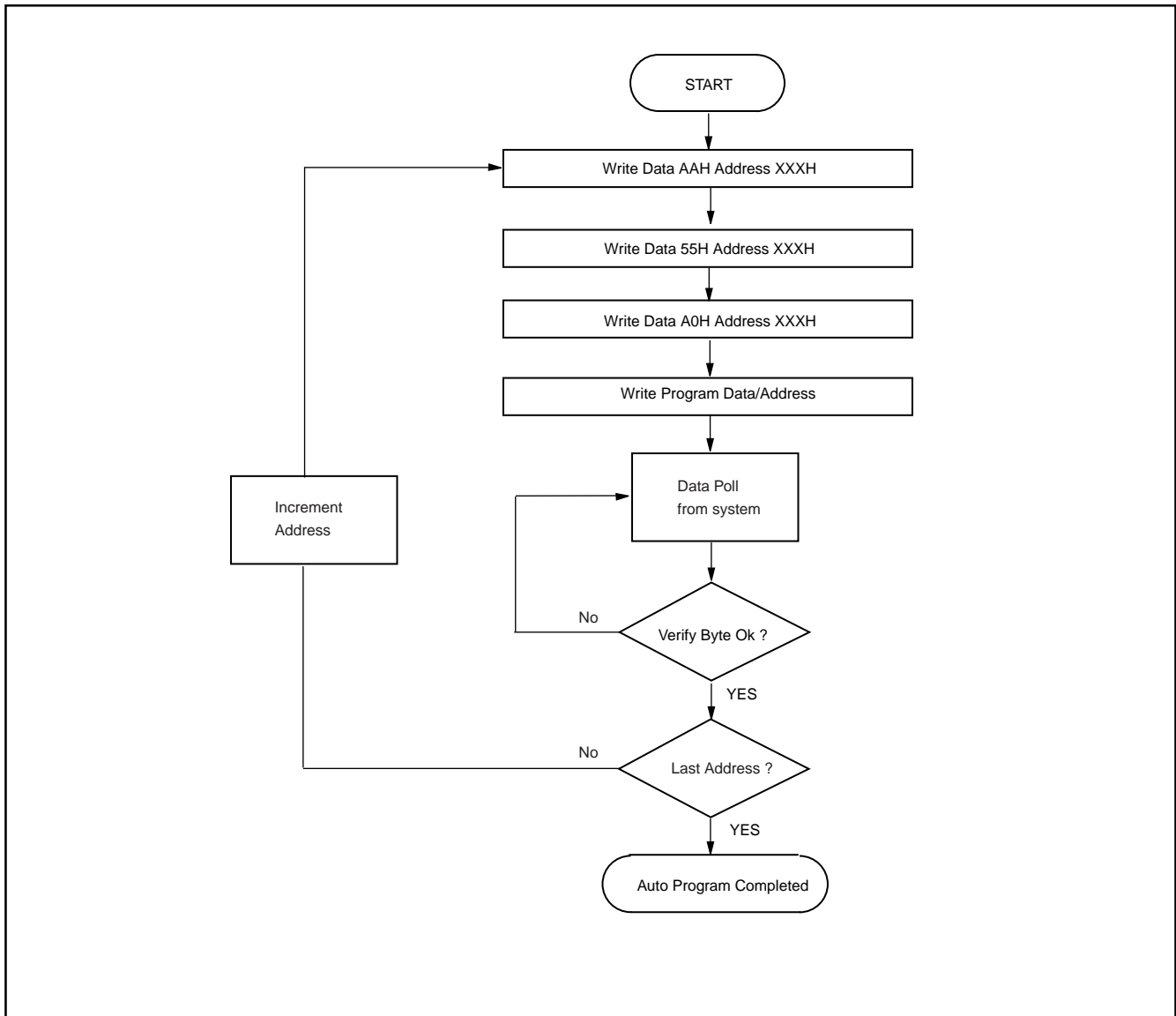
**AC CHARACTERISTICS**
**Alternate  $\overline{\text{CE}}$  Controlled Erase and Program Operations**

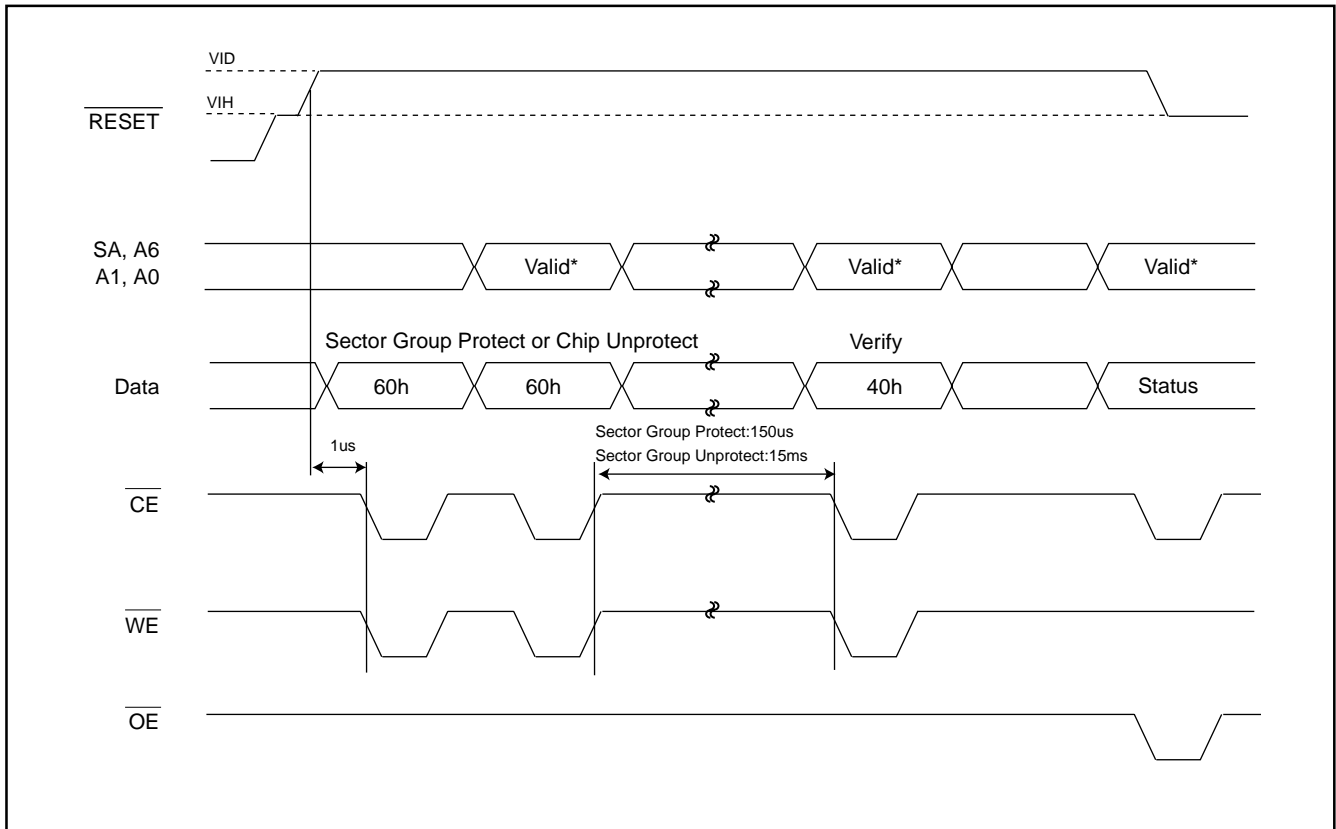
Parameter Std.	Description		Speed Options		Unit
			90	12	
tWC	Write Cycle Time (Note 1)	Min	90	120	ns
tAS	Address Setup Time	Min	0		ns
tAH	Address Hold Time	Min	45	50	ns
tDS	Data Setup Time	Min	45	50	ns
tDH	Data Hold Time	Min	0		ns
tGHEL	Read Recovery Time Before Write ( $\overline{\text{OE}}$ High to $\overline{\text{WE}}$ Low)	Min	0		ns
tWS	$\overline{\text{WE}}$ Setup Time	Min	0		ns
tWH	$\overline{\text{WE}}$ Hold Time	Min	0		ns
tCP	$\overline{\text{CE}}$ Pulse Width	Min	45	50	ns
tCPH	$\overline{\text{CE}}$ Pulse Width High	Min	30		ns
tWHWH1	Byte Programming Operation (Note 2)	Typ	7		us
tWHWH2	Sector Erase Operation (Note 2)	Typ	1.6		sec

**Notes:**

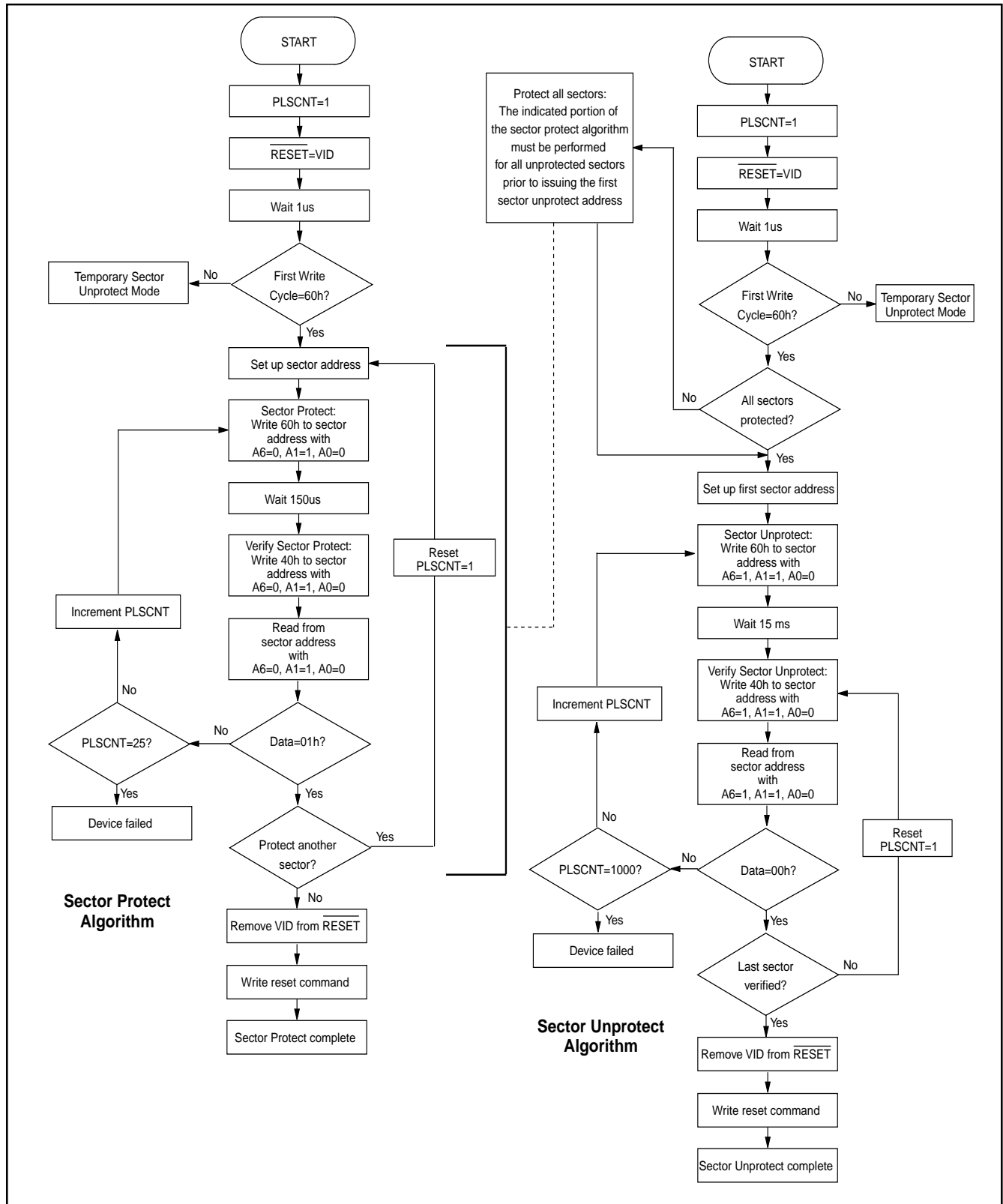
1. Not 100% tested.
2. See the "Erase And Programming Performance" section for more information.

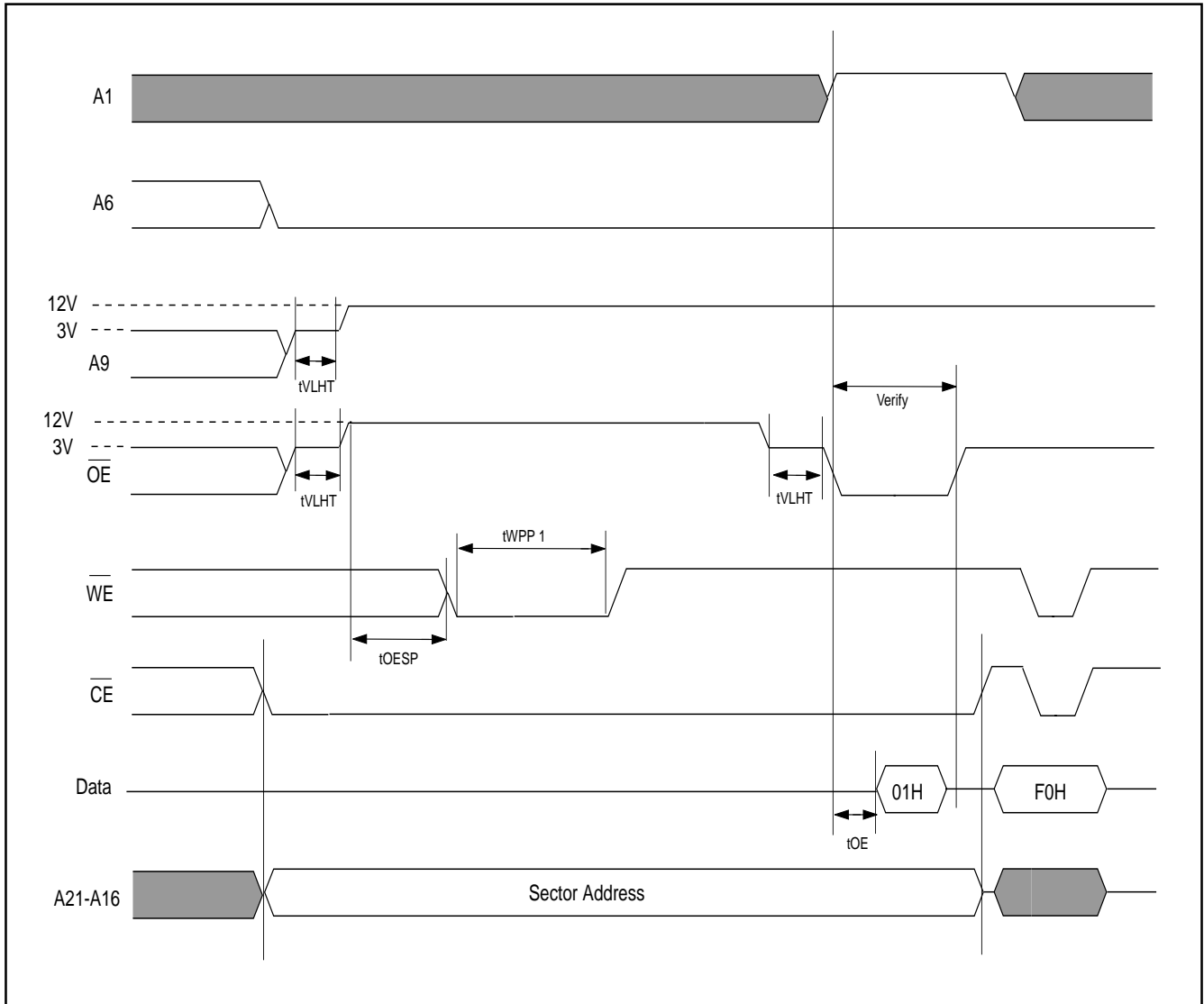
**Fig 10.  $\overline{CE}$  CONTROLLED PROGRAM TIMING WAVEFORM**


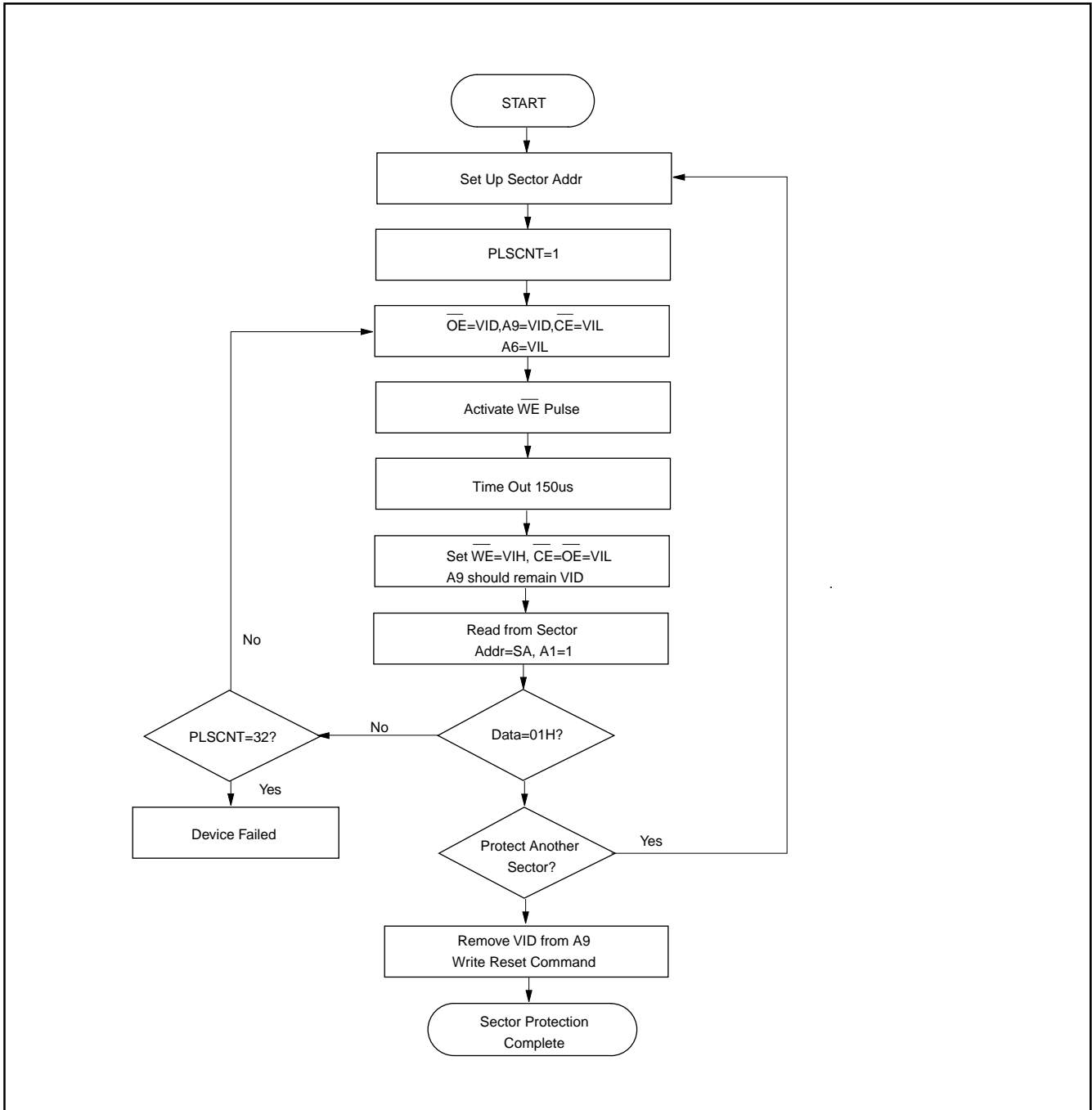
**Fig 11. AUTOMATIC PROGRAMMING ALGORITHM FLOWCHART**

**SECTOR GROUP PROTECT/CHIP UNPROTECTED**
**Fig 12. Sector Group Protect / Protect and Unprotected Waveform ( $\overline{\text{RESET}}$  Control)**


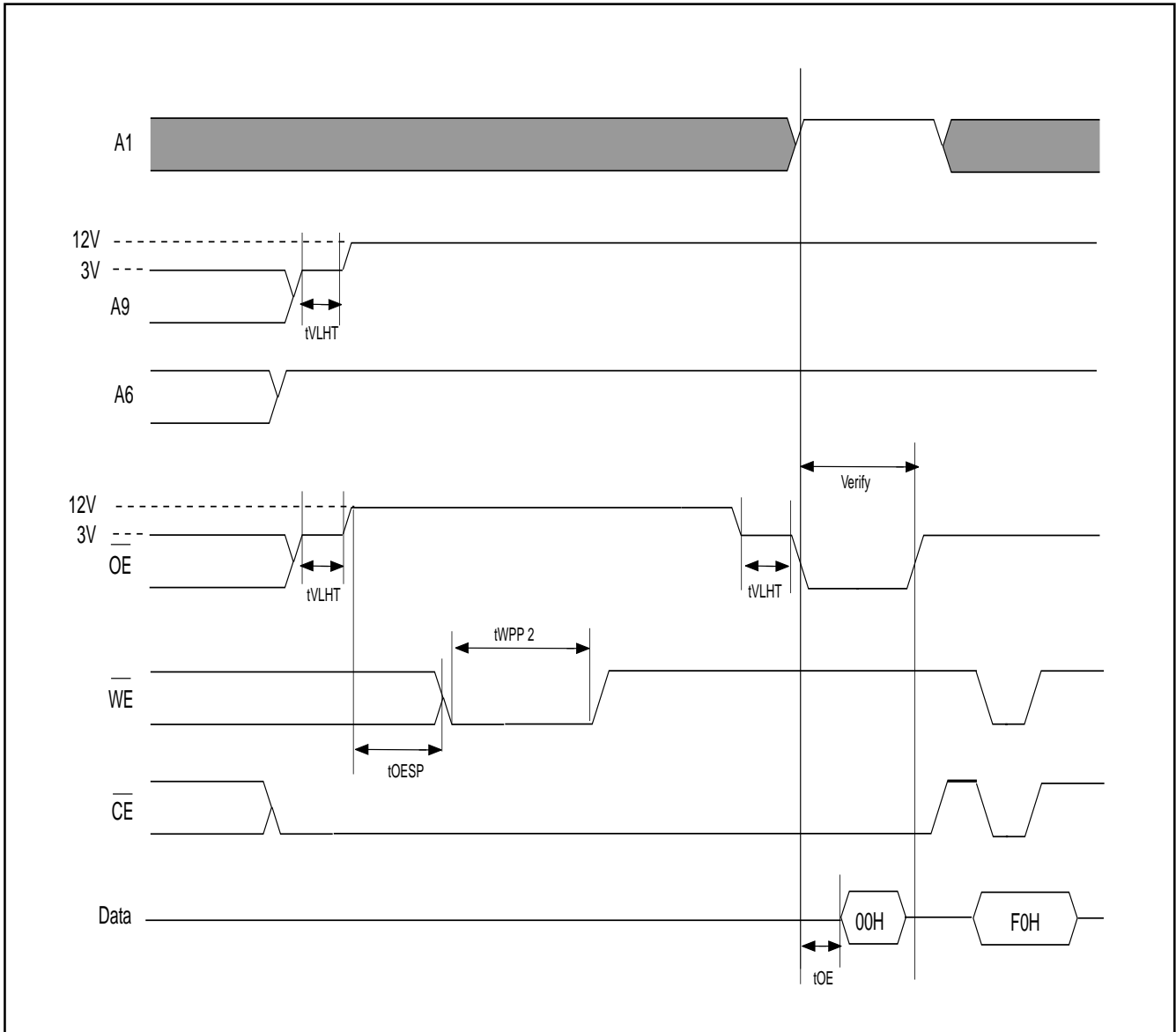
Note: For sector group protect A6=0, A1=1, A0=0. For sector group unprotected A6=1, A1=1, A0=0

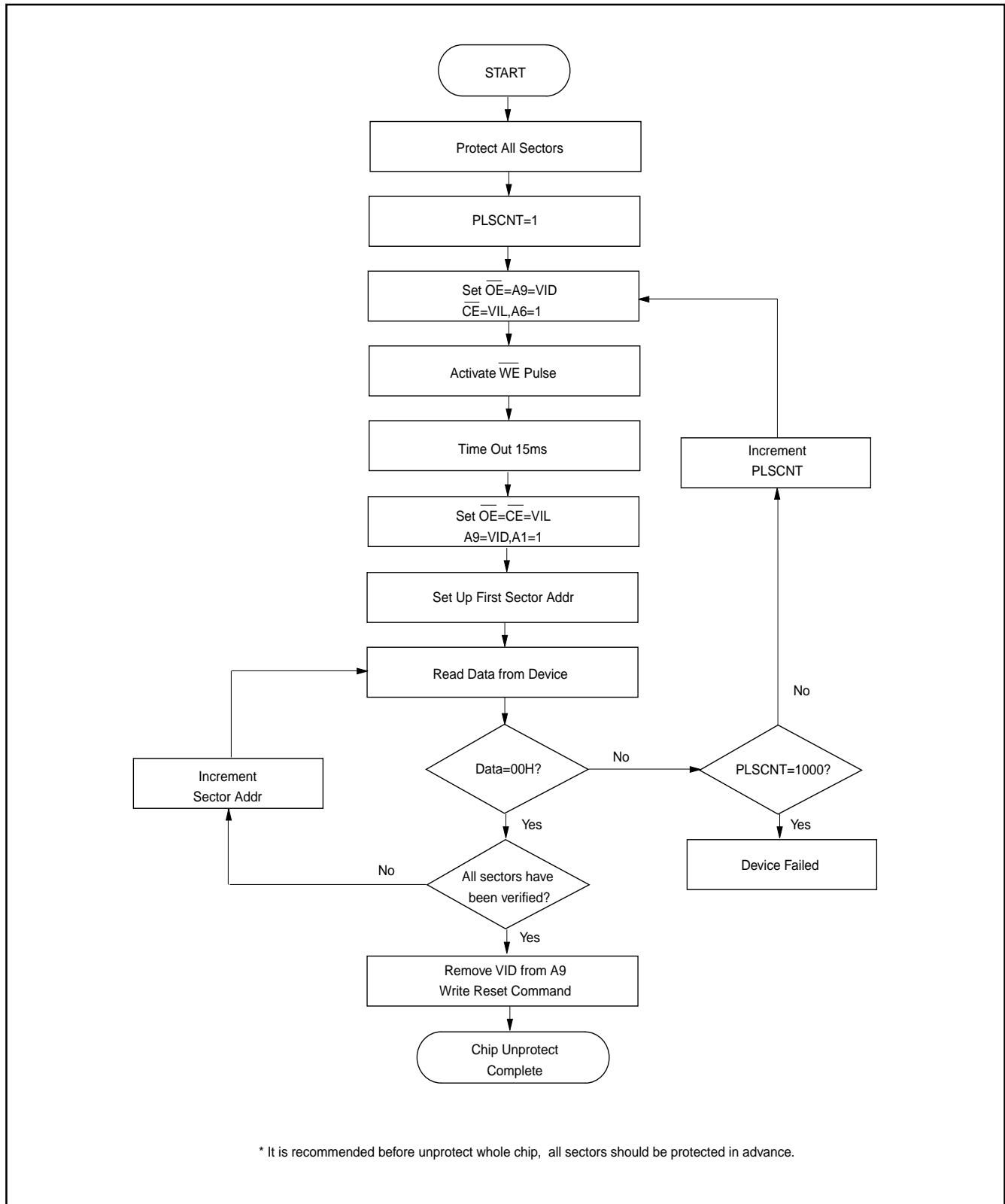
**Fig 13. IN-SYSTEM SECTOR GROUP PROTECT/CHIP UNPROTECTED ALGORITHMS WITH RESET=VID**


**Fig 14. SECTOR GROUP PROTECT TIMING WAVEFORM (A9, OE Control)**


**Fig 15. SECTOR GROUP PROTECTION ALGORITHM (A9,  $\overline{OE}$  Control)**


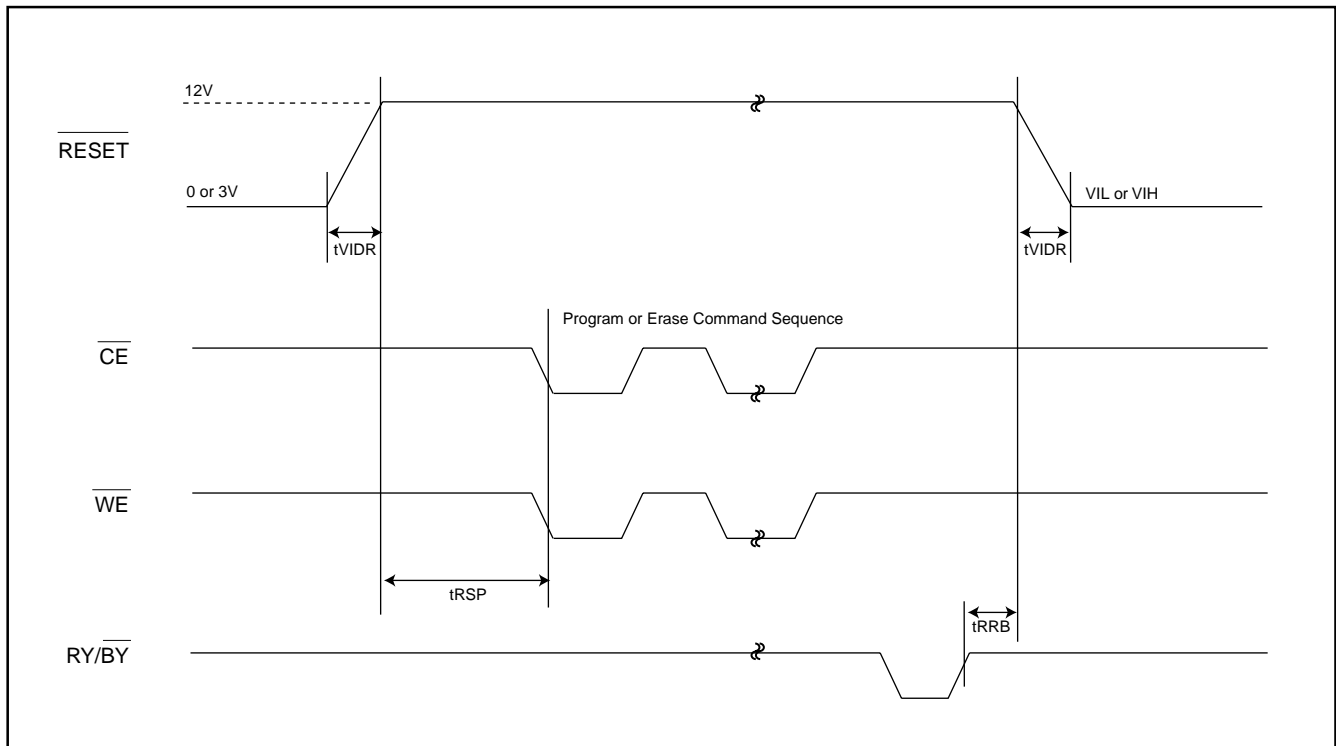


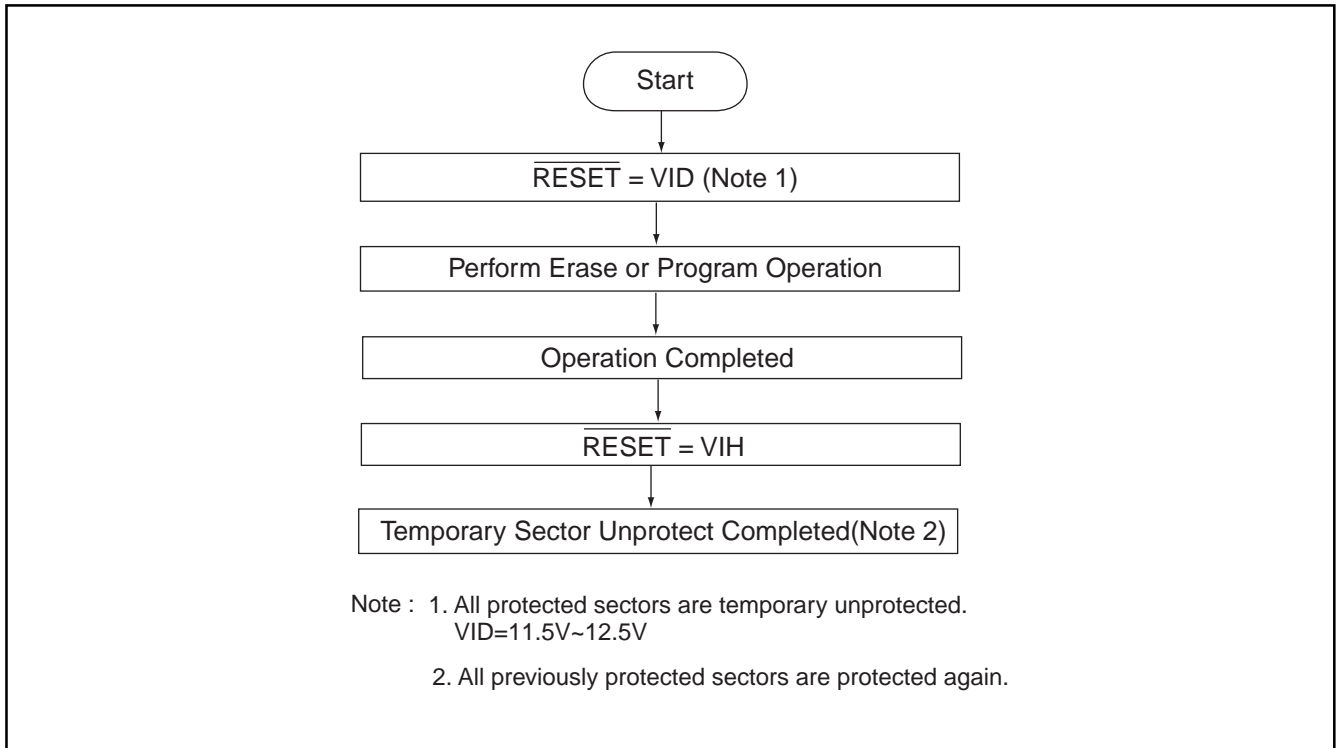
**Fig 16. CHIP UNPROTECTED TIMING WAVEFORM (A9,  $\overline{\text{OE}}$  Control)**


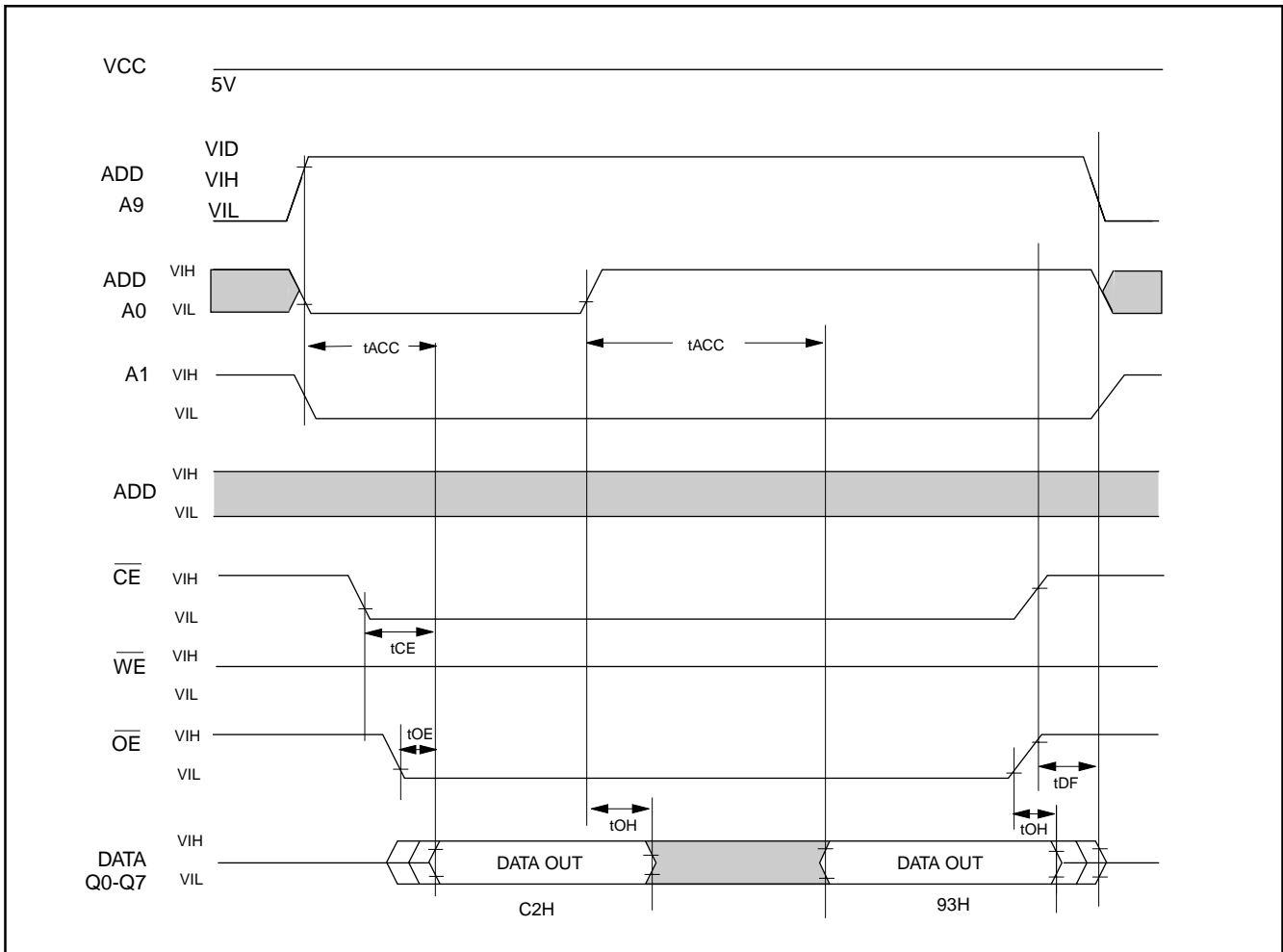
**Fig 17. CHIP UNPROTECTED FLOWCHART (A9,  $\overline{OE}$  Control)**


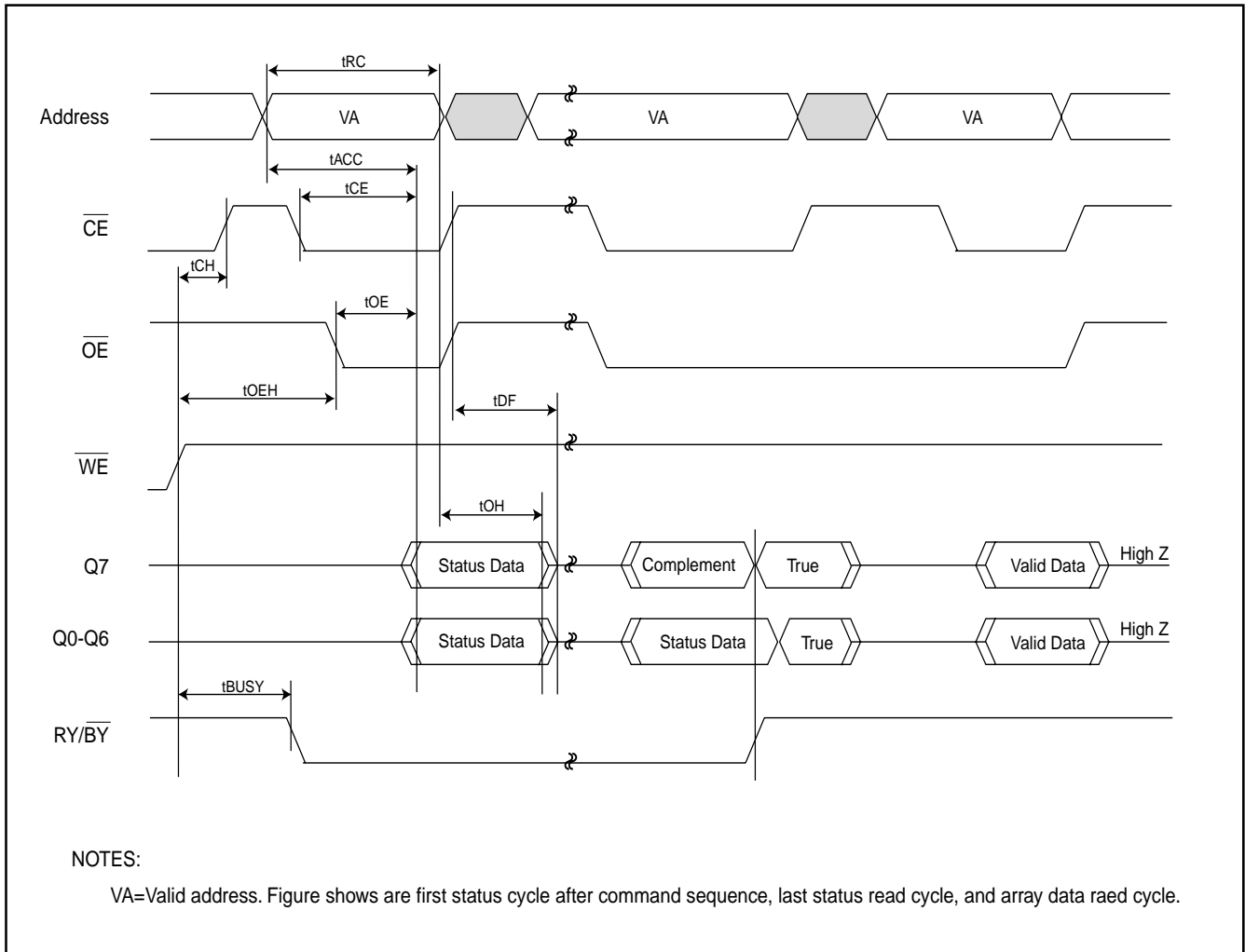
**AC CHARACTERISTICS**

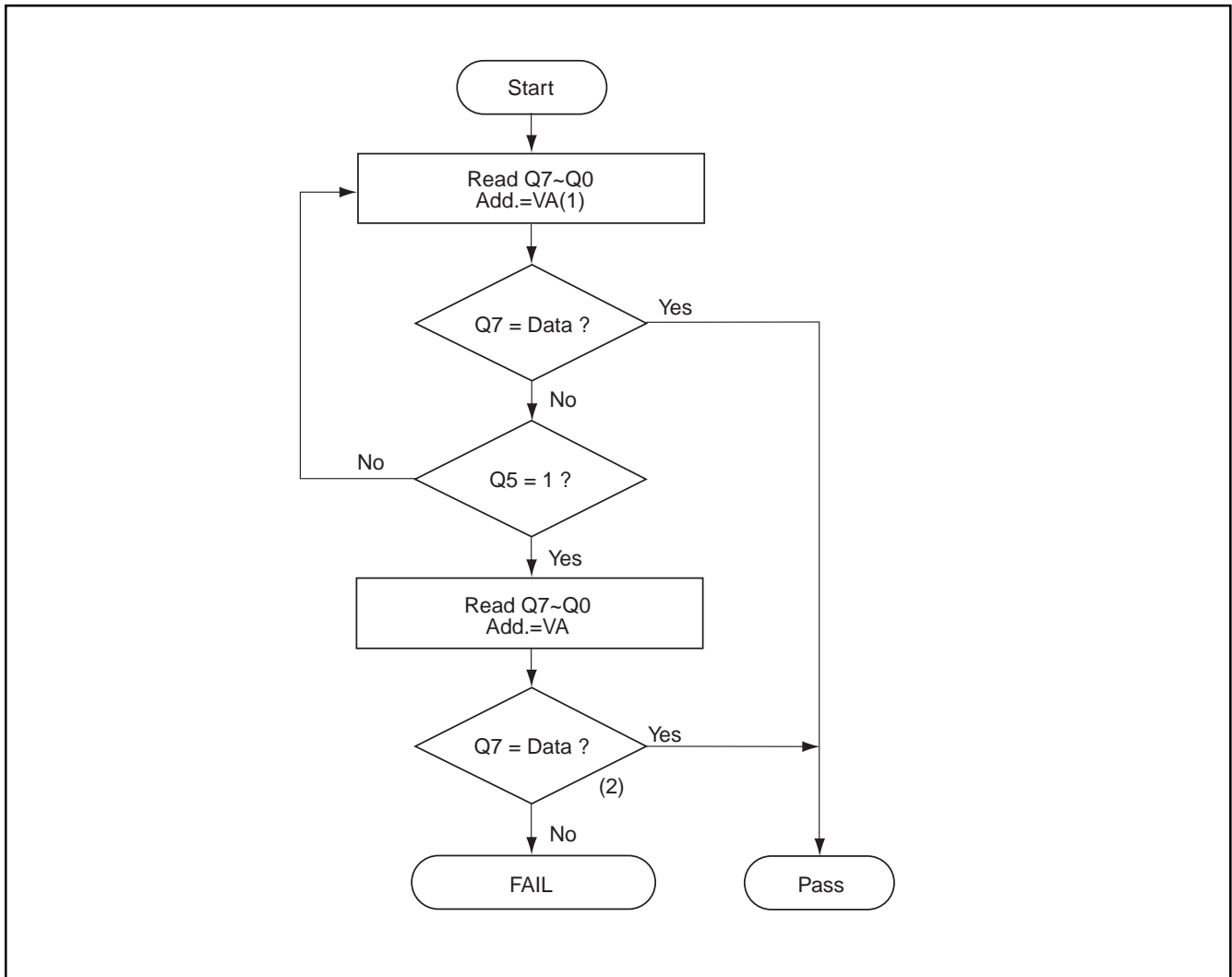
Parameter	Description	Test Setup	All Speed Options	Unit
tVIDR	VID Rise and Fall Time (see Note)	Min	500	ns
tRSP	RESET Setup Time for Temporary Sector Unprotected	Min	4	us
tRRB	RESET Hold Time from RY/BY High for Temporary Sector Group Unprotected	Min	4	us

**Fig 18. TEMPORARY SECTOR GROUP UNPROTECTED WAVEFORMS**


**Fig 19. TEMPORARY SECTOR GROUP UNPROTECTED FLOWCHART**

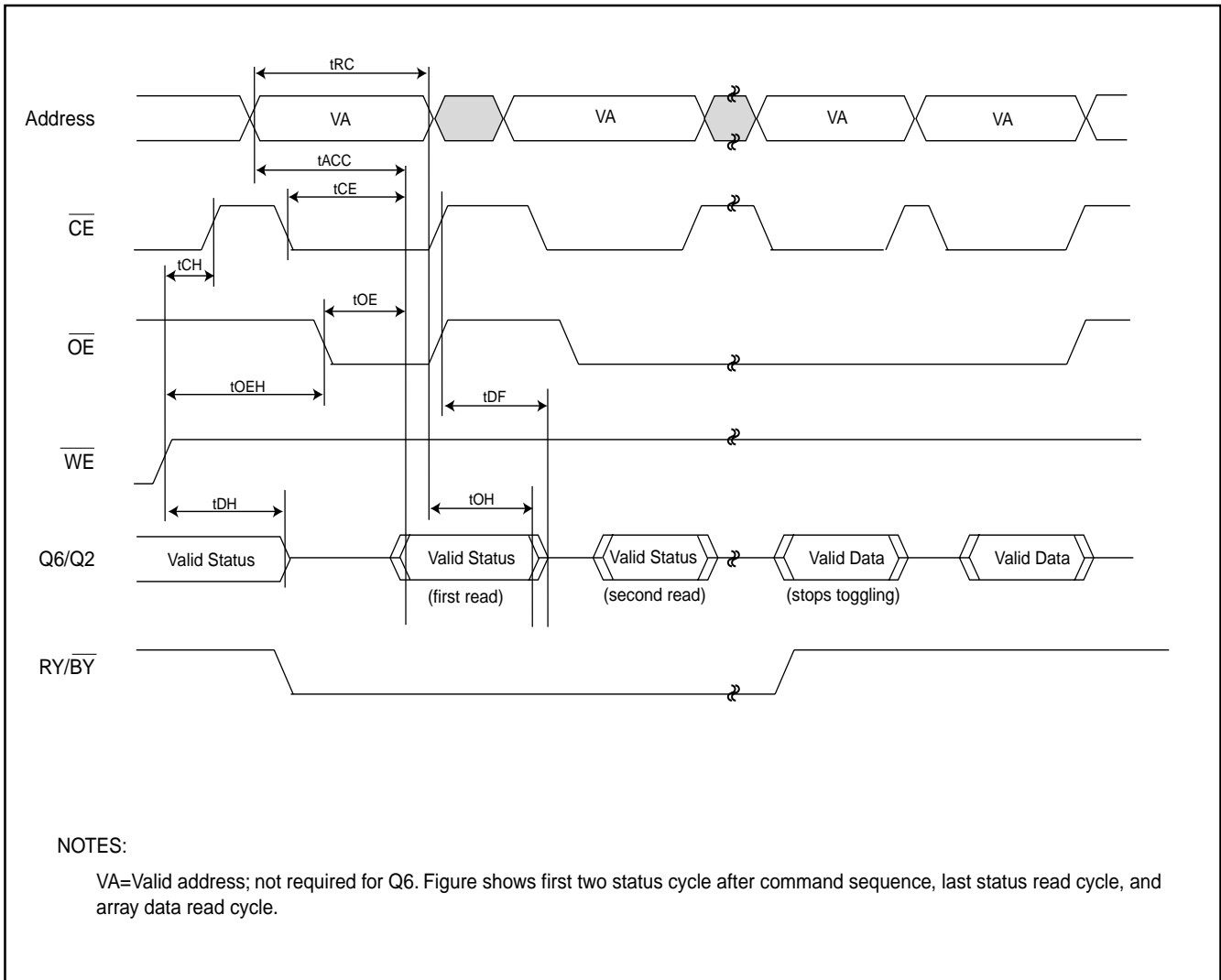
**Fig 20. SILICON ID READ TIMING WAVEFORM**


**WRITE OPERATION STATUS**
**Fig 21. DATA POLLING TIMING WAVEFORMS (DURING AUTOMATIC ALGORITHMS)**


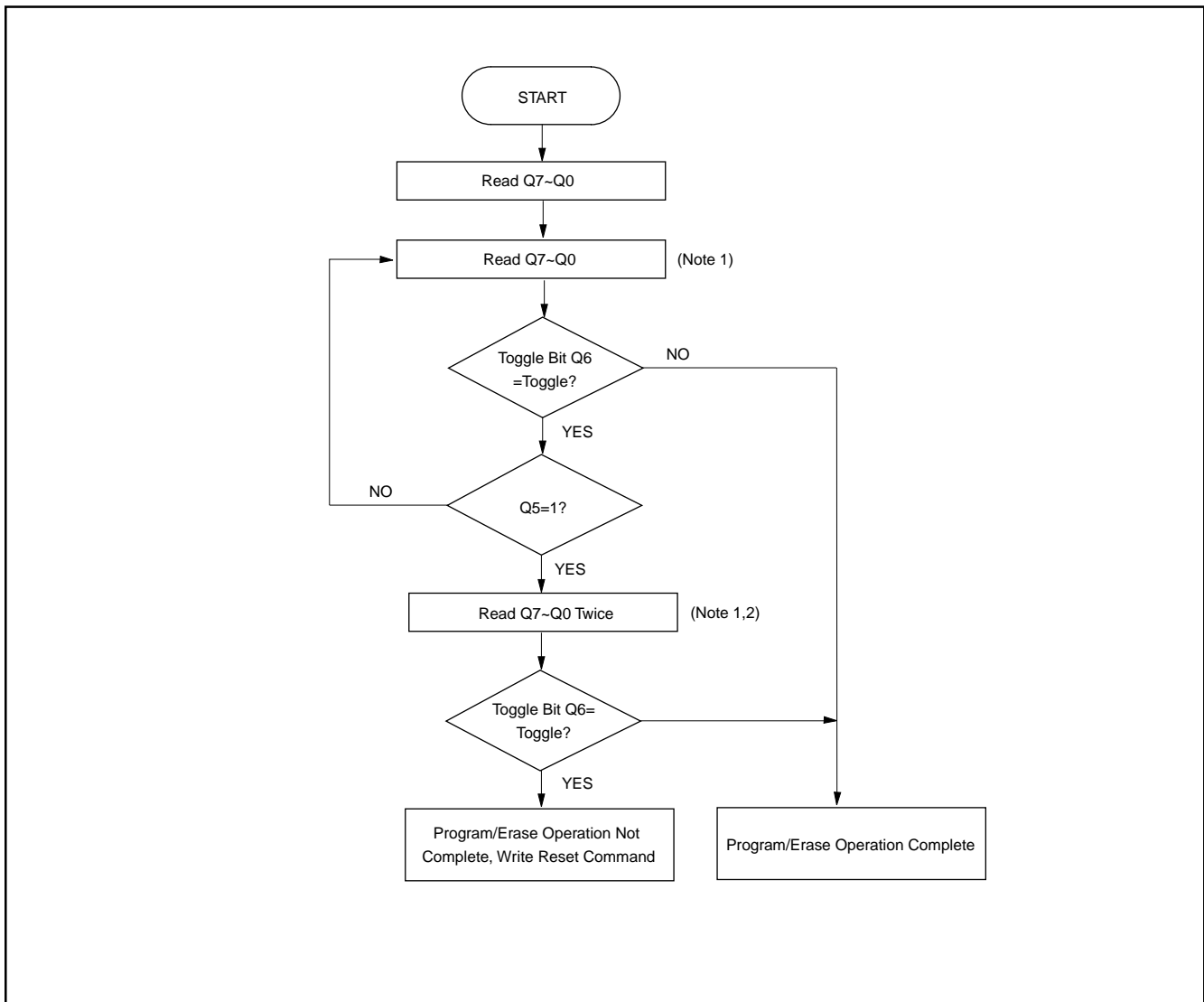
**Fig 22. Data Polling Algorithm****Notes:**

1. VA=valid address for programming.

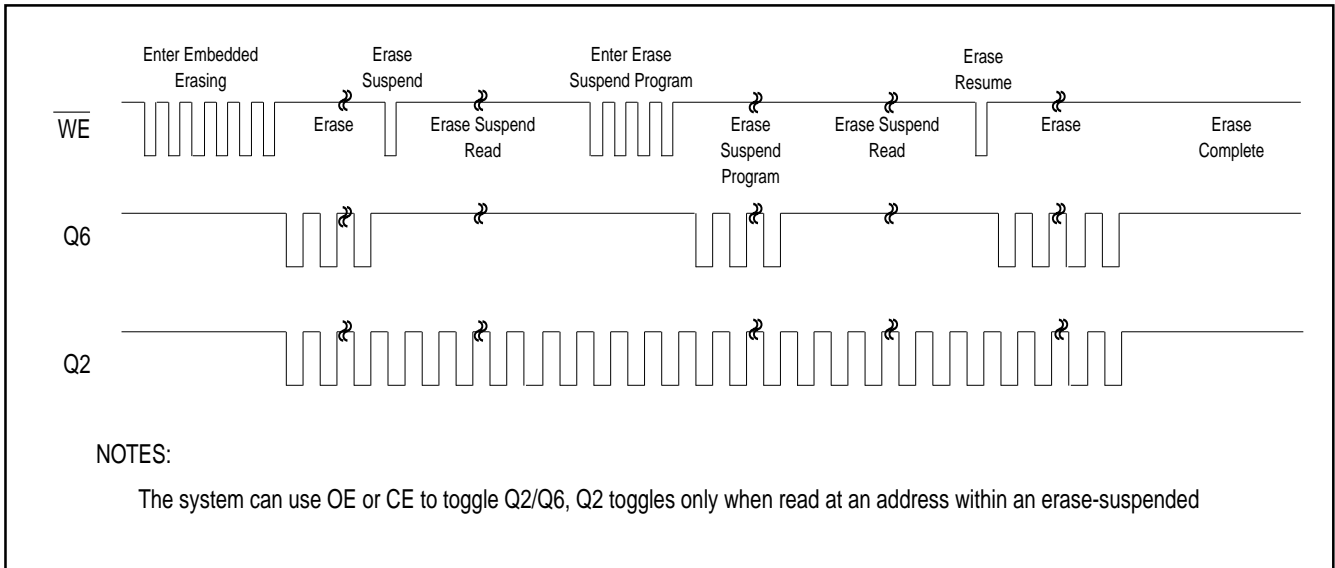
2. Q7 should be rechecked even Q5="1" because Q7 may change simultaneously with Q5.

**Fig 23. TOGGLE BIT TIMING WAVEFORMS (DURING AUTOMATIC ALGORITHMS)**




**Fig 24. Toggle Bit Algorithm**

**Note:**

1. Read toggle bit twice to determine whether or not it is toggling.
2. Recheck toggle bit because it may stop toggling as Q5 changes to "1".

**Fig 25. Q6 versus Q2**


**ERASE AND PROGRAMMING PERFORMANCE (1)**

PARAMETER	LIMITS			UNITS
	MIN.	TYP.(2)	MAX.	
Sector Erase Time		0.9	15	sec
Chip Erase Time		45	65	sec
Byte Programming Time		7	150	us
Chip Programming Time		42	126	sec
Erase/Program Cycles	100,000			Cycles

Note: 1. Not 100% Tested, Excludes external system level over head.  
 2. Typical program and erase times assume the following condition= 25 °C,3.0V VCC.  
 Additionally, programming typicals assume checkerboard pattern.

**LATCH-UP CHARACTERISTICS**

	MIN.	MAX.
Input Voltage with respect to GND on all pins except I/O pins	-1.0V	13.5V
Input Voltage with respect to GND on all I/O pins	-1.0V	Vcc + 1.0V
Current	-100mA	+100mA
Includes all pins except Vcc. Test conditions: Vcc = 3.0V, one pin at a time.		

**TSOP PIN CAPACITANCE**

Parameter Symbol	Parameter Description	Test Set	TYP	MAX	UNIT
CIN	Input Capacitance	VIN=0	6	7.5	pF
COUT	Output Capacitance	VOUT=0	8.5	12	pF
CIN2	Control Pin Capacitance	VIN=0	7.5	9	pF

**Notes:**

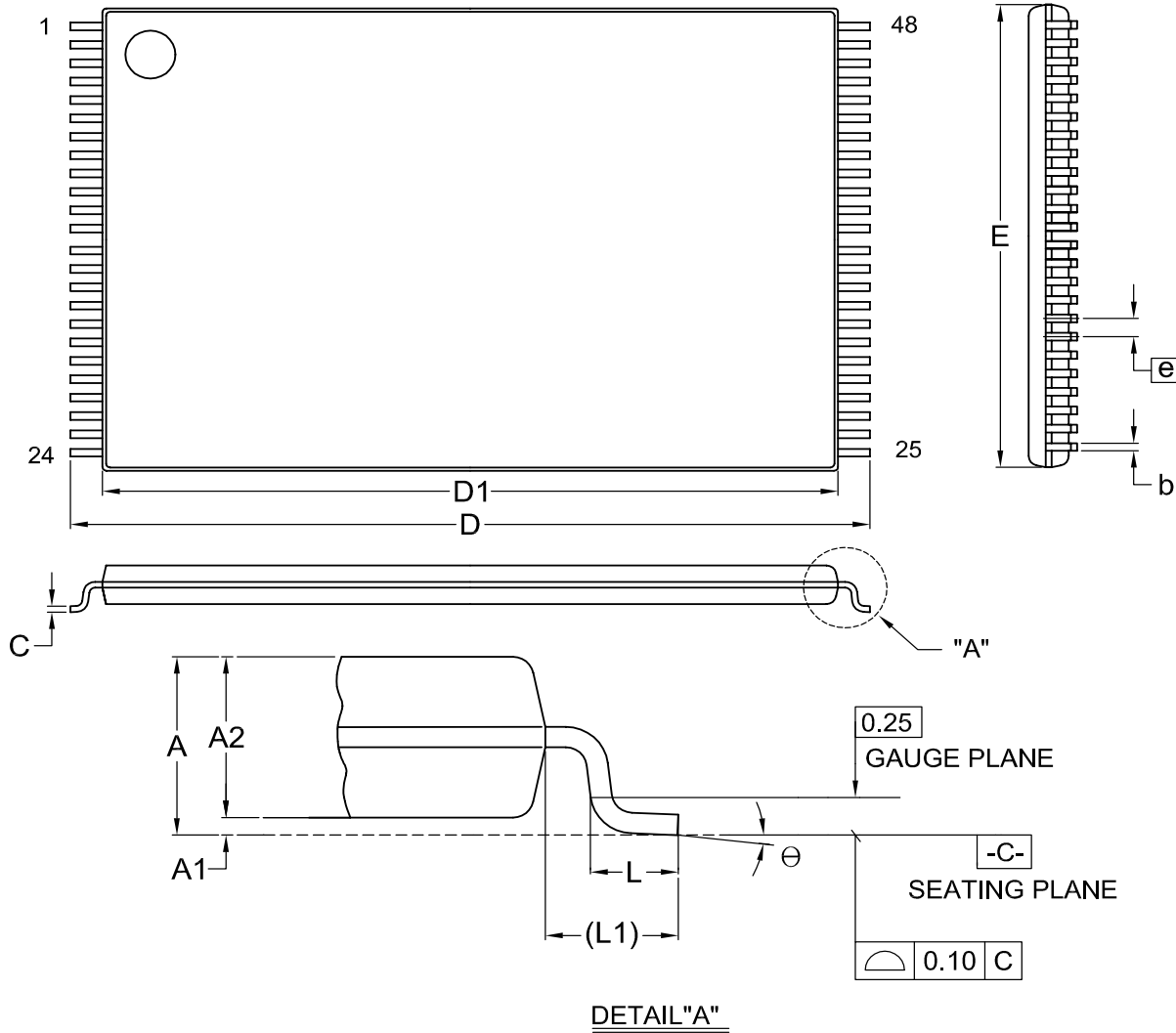
1. Sampled, not 100% tested.
2. Test conditions TA=25 °C, f=1.0MHz

**DATA RETENTION**

Parameter	Test Conditions	Min	Unit
Minimum Pattern Data Retention Time	150 °C	10	Years
	125 °C	20	Years

**ORDERING INFORMATION****PLASTIC PACKAGE**

<b>PART NO.</b>	<b>ACCESS TIME (ns)</b>	<b>Ball Pitch/ Ball size</b>	<b>PACKAGE</b>	<b>Remark</b>
MX29LV065TC-90	90		48 Pin TSOP (Normal Type)	
MX29LV065TC-12	120		48 Pin TSOP (Normal Type)	
MX29LV065XBC-90	90	0.8mm/0.3mm	63 Ball CSP	
MX29LV065XBC-12	120	0.8mm/0.3mm	63 Ball CSP	
MX29LV065TI-90	90		48 Pin TSOP (Normal Type)	
MX29LV065TI-12	120		48 Pin TSOP (Normal Type)	
MX29LV065XBI-90	90	0.8mm/0.3mm	63 Ball CSP	
MX29LV065XBI-12	120	0.8mm/0.3mm	63 Ball CSP	

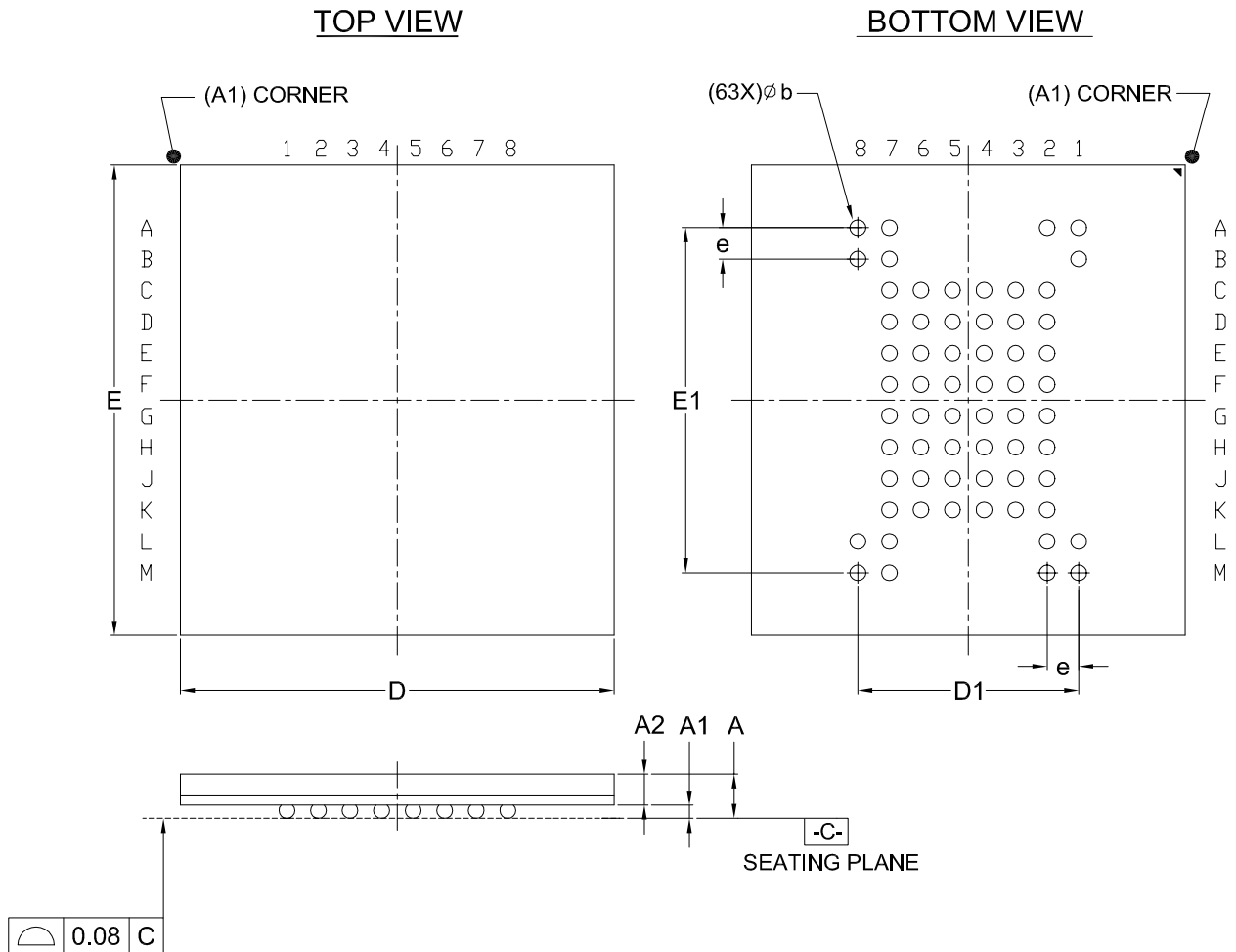
**PACKAGE INFORMATION**
**Title: Package Outline for TSOP(I) 48L (12X20mm)NORMAL FORM**


Dimensions (inch dimensions are derived from the original mm dimensions)

SYMBOL		A	A1	A2	b	C	D	D1	E	e	L	L1	θ
mm	Min.	---	0.05	0.95	0.17	0.10	19.80	18.30	11.90		0.50	0.70	0
	Nom.	---	0.10	1.00	0.20	0.13	20.00	18.40	12.00	0.50	0.60	0.80	5
	Max.	1.20	0.15	1.05	0.27	0.21	20.20	18.50	12.10		0.70	0.90	8
Inch	Min.	---	0.002	0.037	0.007	0.004	0.780	0.720	0.469		0.020	0.028	0
	Nom.	---	0.004	0.039	0.008	0.005	0.787	0.724	0.472	0.020	0.024	0.031	5
	Max.	0.047	0.006	0.041	0.011	0.008	0.795	0.728	0.476		0.028	0.035	8

DWG.NO.	REVISION	REFERENCE			ISSUE DATE
		JEDEC	EIAJ		
6110-1607	6	MO-142			09-24-'02

**Title:** Package Outline for CSP 63BALL(11X12X1.2MM,BALL PITCH 0.8MM,BALL DIAMETER 0.3MM)



Dimensions (inch dimensions are derived from the original mm dimensions)

SYMBOL		A	A1	A2	b	D	D1	E	E1	e
UNIT										
mm	Min.	---	0.18	0.65	0.27	10.90		11.90		
	Nom.	---	0.23	---	0.30	11.00	5.60	12.00	8.80	0.80
	Max.	1.20	0.28	---	0.37	11.10		12.10		
Inch	Min.	---	0.007	0.026	0.011	0.429		0.469		
	Nom.	---	0.009	---	0.012	0.433	0.220	0.472	0.346	0.031
	Max.	0.047	0.011	---	0.015	0.437		0.476		

DWG.NO.	REVISION	REFERENCE			ISSUE DATE
		JEDEC	EIAJ		
6110-4226	3	MO-210			11-08-'02

**REVISION HISTORY**

<b>Revision #</b>	<b>Description</b>	<b>Page</b>	<b>Date</b>
0.1	1. To correct the type error 2. To modify package/ordering information 3. Removed 100ns speed information	All P3,60~62 All	OCT/14/2002
0.2	1. To modify Package Information	P62	NOV/22/2002
0.3	1. Removed ACC function and relate information 2. Removed unlock bypass / $\overline{WP}$ information 3. To added Industrial information 3. Corrected the CFI table	All All P29,30,32,40,60 P23,24	MAY/22/2003
0.4	1. To modified the max. ICC current from 5uA to 15uA	P30	JUL/22/2003



**MX29LV065**

---

---

## **MACRONIX INTERNATIONAL Co., LTD.**

**HEADQUARTERS:**

TEL:+886-3-578-6688

FAX:+886-3-563-2888

**EUROPE OFFICE:**

TEL:+32-2-456-8020

FAX:+32-2-456-8021

**JAPAN OFFICE:**

TEL:+81-44-246-9100

FAX:+81-44-246-9105

**SINGAPORE OFFICE:**

TEL:+65-348-8385

FAX:+65-348-8096

**TAIPEI OFFICE:**

TEL:+886-2-2509-3300

FAX:+886-2-2509-2200

**MACRONIX AMERICA, INC.**

TEL:+1-408-453-8088

FAX:+1-408-453-8488

**CHICAGO OFFICE:**

TEL:+1-847-963-1900

FAX:+1-847-963-1909

**[http : //www.macronix.com](http://www.macronix.com)**