



SG25664A (16 DOTS X 4 DOTS)

液晶之友 电话: 020-33819057

[Http://www.lcdfriends.com](http://www.lcdfriends.com)

FEATURES

- ◆ BUILT-IN CONTROLLER(S17920)
- ◆ +5 V POWER SUPPLY
- ◆ 1/32 DUTY CYCLE
- ◆ EDGE LIGHTING TYPE LED BACKLIGHT
- ◆ EDGE LIGHTING TYPE CCFL BACKLIGHT

MECHANICAL DATA

ITEM	DIMENSIONS	UNIT
Module Size (W x H x T)	180.0 x 65.0 x 9.7 (13.8 LED)	mm
Viewing Area (W x H)	134.0 x 40.4	mm
Active Area (W x H)	127.16 x 31.97	mm
Dot Size (W x H)	0.47 x 0.47	mm
Dot Pitch (W x H)	0.50 x 0.50	mm

INTERFACE PIN CONNECTIONS

NO.	SYMBOL	LEVEL	FUNCTION
1	V _{SS}	0V	Power Supply Ground
2	V _{DD}	5V	Power Supply Voltage
3	V ₀	...	Contrast Adj
4	RS	H/L	Read Select
5	R/W	H/L	Read / Write
6	E1	H,H→L	Enable Signal IC1
7	E2	H,H→L	Enable Signal IC2
8~15	DB0~DB7	H	Data Bit 1~7
16	A	4.2V	LED Power Supply (+)
17	K	0V	LED Power Supply (-)
18	NC	-	No Connection
19	NC	-	No Connection
20	NC	-	No Connection

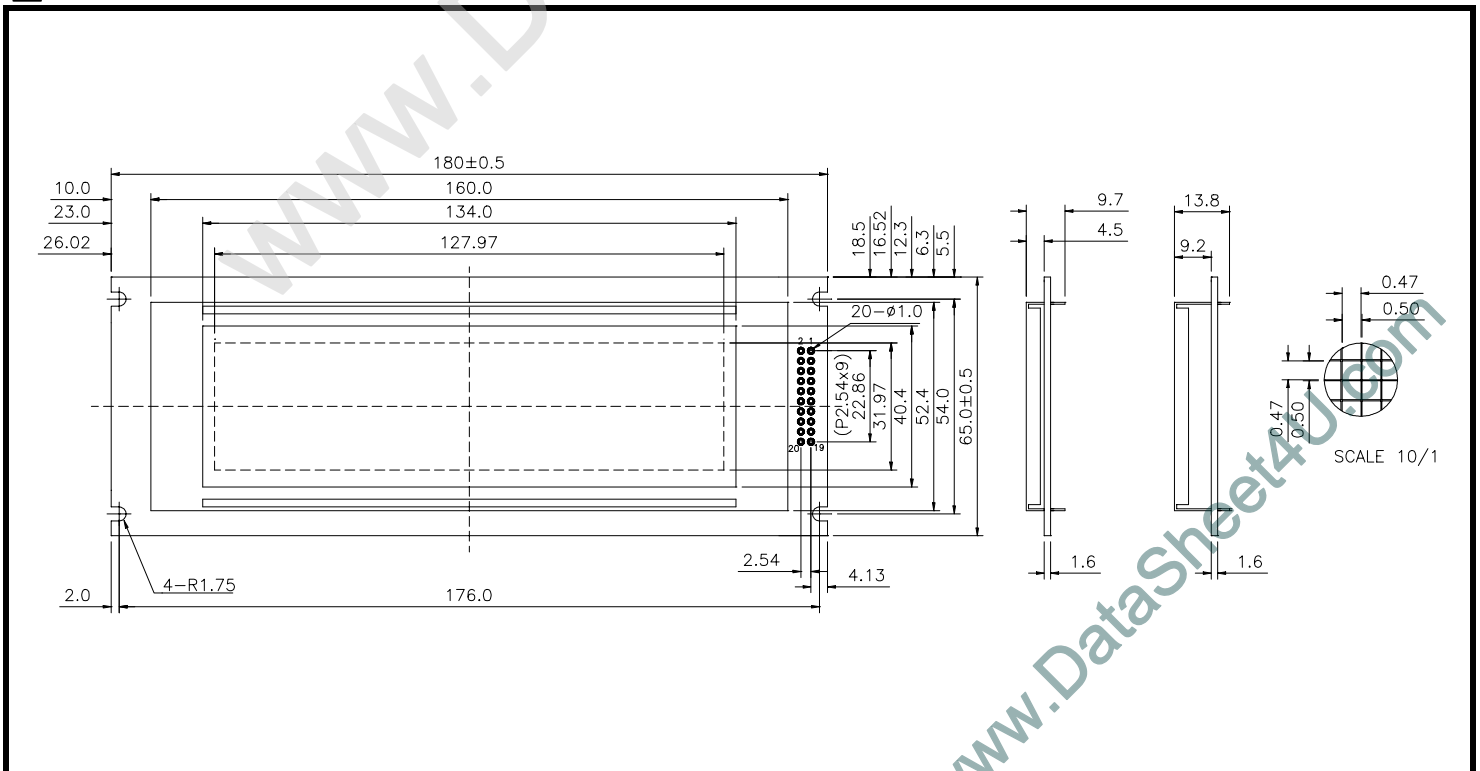
ABSOLUTE MAXIMUM RATINGS

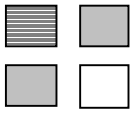
ITEM	SYMBOL	MIN.	TYP.	MAX.	UNIT
Supply Voltage For Logic	V _{DD} -V _{SS}	-0.3	-	5.5	V
Supply Voltage For LCD Drive	V _{DD} -V ₀	0	-	7	V
Input Voltage	V _I	-0.3	-	V _{DD}	V

ELECTRICAL CHARACTERISTICS

ITEM	SYMBOL	CONDITION	MIN.	TYP.	MAX.	UNIT	
Supply Voltage For Logic	V _{DD} -V _{SS}	-	4.5	5.0	5.5	V	
Supply Voltage For LCD	V _{DD} -V ₀	V _{DD} =5V Ta=25°C	5.6	6.0	6.5	V	
Supply Current	I _{DD}	V _{DD} =5V	-	16.0	25.0	mA	
Input Voltage	"HIGH" Level	V _{IH}	-	2.2	-	V _{DD}	V
	"LOW" Level	V _{IL}	-	-	-	0.6	V
Output Voltage	"HIGH" Level	V _{OH}	-	2.4	-	-	V
	"LOW" Level	V _{OL}	-	-	-	0.4	V

EXTERNAL DIMENSIONS

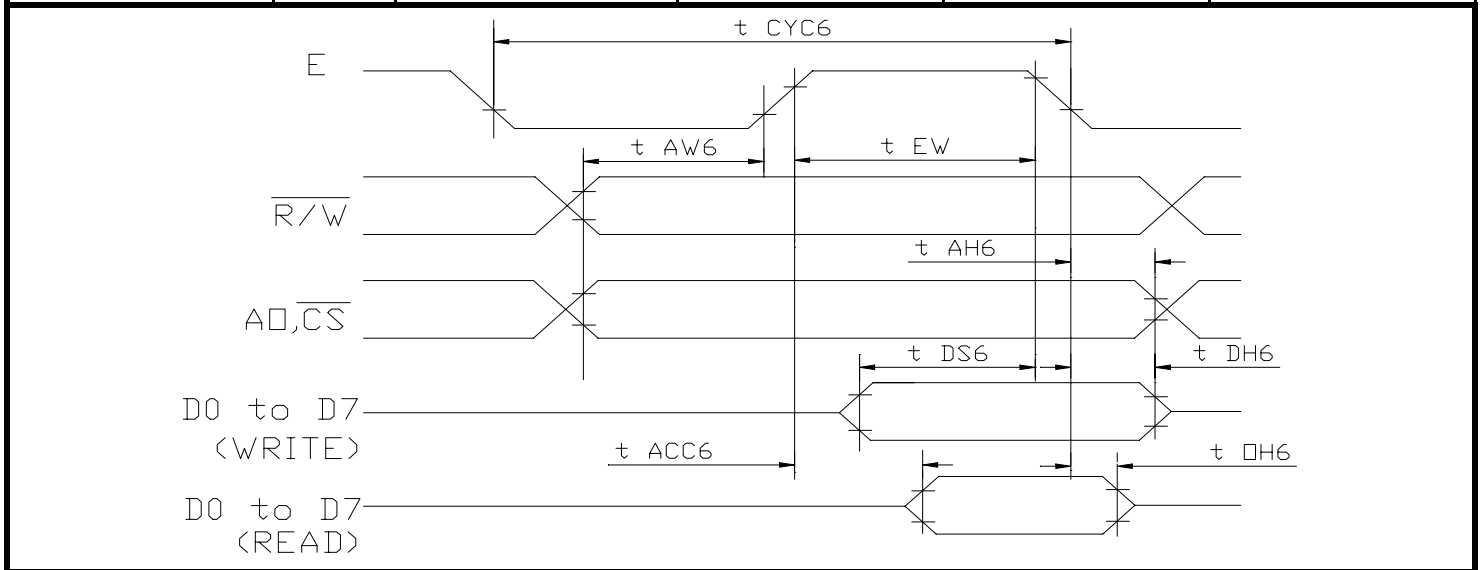




SG25664A (240 DOTS X 64 DOTS)

■ TIMING CHARACTERISTICS

ITEM	SYMBOL	MIN.	TYP.	MAX.
System Cycle Time	t_{CYC6}	1000	-	-
Address Set-up Time	t_{AW6}	20	-	-
Address Hold Time	t_{AH6}	10	-	-
Data Set-up Time	t_{DS6}	80	-	-
Data Hold Time	t_{DH6}	10	-	-
Output Disable Time	t_{OH6}	10	-	60
Access Time	t_{ACC6}	-	-	90
Enable Pulse Width	Read	t_{EW}	-	-
	Write			



■ BLOCK DIAGRAM

