

## Features

- ▣▣▣▣ *Frequencies from 30MHz to 700MHz*
- ▣▣▣▣ *Custom specifications available*
- ▣▣▣▣ *Industry standard package configurations*
- ▣▣▣▣ *Compatible with EPCOS, Fujitsu, Murata etc*

## Standard Models

Model Number	Centre Frequency (MHz)	Band width (MHz)	Ins Loss (dB)	Package	Application
TB0386A	35.46	8.82	20	13.7x6.5	
TB0176A	36.125	8	23.7	13.7x4.8	
TB0257A	36.125	7.8	31	16.3x6.3	Cable Modem
TB0244A	36.125	7.8	31	16.3x6.3	Cable Modem
TB0209A	38.912	1.45	20.2	F-11	DAB
TB0275A	38.912	1.6	25	11.3x5.1	
TB0199A	38.912	1.4	25	9.1x4.8	DAB
TB0318A	40	5	12	7.0x5.0	
TB0258A	43.75	5.93	26	16.3x4.0	
TB0207A	43.75	5.93	26	16.3x4.0	Cable Modem
TB0473A	44	5	28.5	13.7x4.8	
TB0362A	44	1.7	17.5	13.7x6.5	
TB0496A	44	6	16.7	13.7x4.8	
TB0487A	44	3.6	15.8	13.7x4.8	
TB0364A	44	6.5	16	13.7x6.5	
TB0363A	44	3.4	16	13.7x6.5	
TB0302A	44	6.2	15	F-11	
TB0486A	44	5.6	16	13.7x4.8	
TB0411A	48	9	16	13.7x6.5	
TB0412A	48	3.125	16	13.7x6.5	
TB0281A	50	5.62	11	13.7x6.5	
TB0282A	50	10.6	15	13.7x6.5	
TB0224A	60	5	12	13.7x6.5	
TB0460A	70	12.5	13	13.7x6.5	
TB0505A	70	0.03	6	13.7x6.5	
TB0278A	70		21.2	19.0x6.5	
TB0186A	70	21.5	17.5	13.7x6.5	70MHz Series
TB0212A	70	6	9	13.7x6.5	70MHz Series
TB0214A	70	16	13.2	13.7x6.5	70MHz Series
TB0225A	70	9.2	24	13.7x6.5	70MHz Series
TB0226A	70	9.7	24	13.7x6.5	70MHz Series
TB0227A	70	1.1	20	19.0x6.5	70MHz Series
TB0229A	70	12.1	26	20.2x12.6	70MHz Series
TB0230A	70	19.5	26	20.2x12.6	70MHz Series
TB0231A	70	20.3	24	20.2x12.6	70MHz Series
TB0211A	70	4	9.5	13.7x6.5	70MHz Series
TB0184A	70	3.8	23	13.7x6.5	70MHz Series
TB0213A	70	9	11.5	13.7x6.5	70MHz Series
TB0185A	70	7.3	23	13.7x6.5	70MHz Series
TB0228A	70	1.4	22	19.0x6.5	70MHz Series
TB0194A	70	5.0	9.0	13.7x6.5	70MHz Series
TB0195A	70	3.0	8.2	13.7x6.5	70MHz Series
TB0193A	70	7.0	9.5	13.7x6.5	70MHz Series
TB0202A	70	19.7	13.8	13.7x6.5	70MHz Series
TB0259A	73.125	0.015	8	13.7x6.5	

## Standard Models (continued)

Model Number	Centre Frequency (MHz)	Band width (MHz)	Ins Loss (dB)	Package	Application
TB0444A	78	0.015	8	13.7x6.5	
TB0292A	80	9	11.5	13.7x6.5	
TB0283A	90	1.26	11	9.1x4.8	
TB0197A	110.592	1.0	12	9.1x7.1	DECT
TB112EE	112.32	1.1	12.5	9.1x7.1	DECT
TB0196A	119.64	0.03	5.5	7.0x5.0	Cellular Phone
TB0467A	125	30	13.5	13.7x6.5	
TB0439A	140	15	10.7	13.7x6.5	
TB0438A	140	12	10.5	13.7x6.5	
TB0320A	140	6	12.5	13.7x6.5	
TB0440A	140	22	11	13.7x6.5	
TB0218A	140	0.4	8	19.0x6.5	
TB0203A	140	10	11.5	13.7x6.5	140MHz Series
TB0233A	140	25	24	20.2x12.6	140MHz Series
TB0232A	140	12	25	20.2x12.6	140MHz Series
TB0242A	140	7.3	25	20.2x12.6	140MHz Series
TB0217A	140	0.1	6.0	7.0x5.0	140MHz Series
TB0403A	145	4	16	13.7x6.5	
TB0399A	156.8	15	14	13.3x6.5	
TB0276A	163	0.025	6	7.0x5.0	
TB0482A	164.175	0.075	7	7.0x5.0	
TB0483A	165.45	0.075	7	7.0x5.0	
TB0260A	168.5	28	10	5.2x5.2	
TB0484A	169.2	0.075	7	7.0x5.0	
TB0485A	173.075	0.015	7	7.0x5.0	
TB0223A	173.225	0.026	4.2	9.1x7.1	
TB0187A	183.6	1.5	10.5	7.0x5.0	
TB0293A	190	10	10	5.2x5.2	
TB0103A	190	5.73	10	5.2x5.2	Cellular Phone
TB0190A	190	6	7	3.9x3.9	Cellular Phone
TB0241A	210.38	1.26	9	13.7x6.5	Cellular Phone
TB0124A	210.38	1.0	10	5.2x5.2	Cellular Phone
TB0104A	210.38	1.26	9	7.0x5.05	
TB0391A	240	6.8	14	7.0x5.0	
TB0309A	240	1	10	13.7x6.5	
TB0341A	240	6.8	14	7.0x5.0	
TB0429A	240	20	13	7.0x5.02	
TB0270A	240	20	8.5	7.0x5.0	
TB0208A	243	0.05	6.0	7.0x5.05	
TB0201A	243.95	0.26	4.5	3.9x3.9	
TB0286A	243.95	0.2	4	3.1x3.1	
TB0253A	243.95	0.26	4.0	3.5x3.5	PHS
TB0252A	243.95	0.26	4	3.1x3.1	
TB0266A	246	0.1	6.5	7.0x5.0	Cellular Phone
TB0251A	248.45	0.56	4.5	3.5x3.5	PHS
TB0358A	260	30	10	7.0x5.02	

Continued on next page...

## Ordering Information

Product name + model number  
eg: **GSIF TB0207A**

- ◆ Pad configurations and package heights may vary from those shown - please ask for a full specification sheet before ordering
- ◆ Full specifications of all models are available on request

### Standard Models (continued)

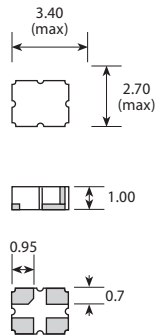
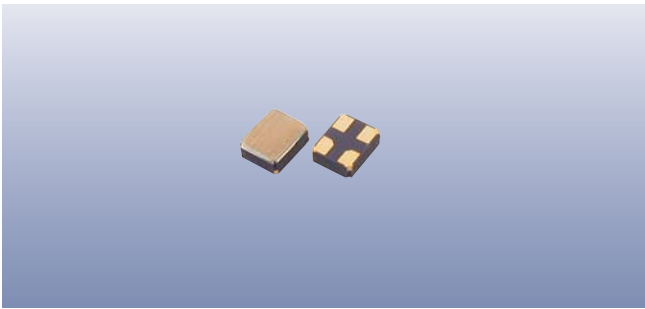
Model Number	Centre Frequency (MHz)	Band width (MHz)	Ins Loss (dB)	Package	Application
TB0204A	261.12	5	12	13.7x6.5	
TB0377A	268.4	21	14	5.2x5.2	
TB0137A	280	18.50	10	5.2x5.2	WLAN
TB280ID	280	18.50	10	5.2x5.2	WLAN
TB0296A	300	4.5	10	3.1x3.10	
TB0468A	310	10	14	5.2x5.2	
TB0398A	325	13	14	7.0x5.0	
TB0191A	326.4	12	17	7.0x5.0	
TB0297A	350	2.4	10	3.1x3.10	
TB0200A	350	2.6	14.5	13.7x6.5	WLL
TB0130A	360	0.24	5.0	5.2x5.2	Cellular Phone
TB360EC	360	135	5.0	3.9x3.9	Cellular Phone
TB0489A	366.5	23	13.5	5.2x5.2	
TB374GD	374	20	10	5.2x5.2	WLAN
TB374EA	374	20	10	7.0x5.05	WLAN
TB0221A	374	19.1	10	3.9x3.9	WLAN
TB0210A	374	23.4	10	3.9x3.9	
TB0135A	374	17	10	5.2x5.2	WLAN
TB0152A	374	17	10	3.9x3.9	WLAN
TB0151A	374	14	9	7.0x5.0	WLAN
TB0316A	374	5	12	3.9x3.9	
TB0378A	376.6	75	16	5.2x5.2	
TB0445A	380	5	13	7.0x5.02	
TB0122A	380	4.8	11	3.9x3.9	Cellular Phone
TB0198A	380	5	16	7.0x5.05	Cellular Phone
TB0299A	400	4.5	10	3.1x3.10	
TB0448A	400	0.015	7.5	5.2x5.2	
TB0464A	400	0.015	7.5	3.9x3.9	
TB0237A	402.7	21.5	19	5.2x5.2	
TB0261A	403.5	3	5.5	3.9x3.9	
TB0141A	426.5	0.24	5.5	5.2x5.2	Remote Control
TB433E2	433.92	0.5	5.0	TO-39	Remote Control
TB433ED	433.92	0.5	5.0	5.2x5.2	Remote Control
TB0490A	435.5	27	13.5	5.2x5.2	
TB0205A	453	5.5	7	3.9x3.9	WLL
TB0427A	456	11.22	9	5.2x5.2	
TB0471A	456	6.2	15.5	7.0x5.02	
TB0462A	456	5	13	5.2x5.2	
TB0463A	456	9	9	7.0x5.02	
TB0360A	464	3.5	13	7.0x5.0	
TB0472A	464	3.4	13	7.0x5.02	
TB0206A	465	20	14	5.2x5.2	Remote Control
TB0160A	473.4	28	13	7.0x5.05	WLL
TB480F3	479.5	17	23	TO-39	Satellite TV
TB480G3	479.5	16	24	TO-39	Satellite TV
TB0153A	479.5	16	24	TO-39	Satellite TV
TB0400A	480	12.1	22	7.0x5.0	
TB480E3	480	27.0	23.0	TO-39	Satellite TV
TB0222A	480	3.9	10.3	TO-39	Satellite TV
TB0420A	494	77	13	5.2x5.2	
TB0264A	533.33	4.5	9	3.9x3.9	
TB0288A	590	0.39	12	13.7x6.5	
TB0353A	600	4.5	10	3.1x3.1	
TB0300A	644.5	4.5	10	3.1x3.1	
TB0354A	666.667	4.5	10	3.1x3.1	

### Ordering Information

Product name + model number  
eg: **GSIF TB360EC**

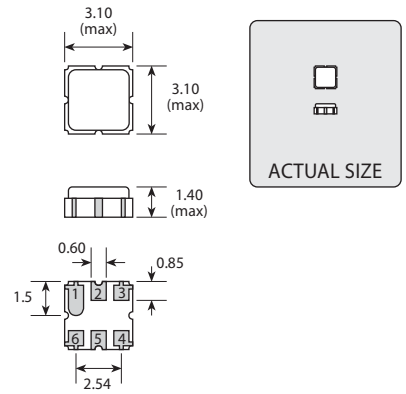
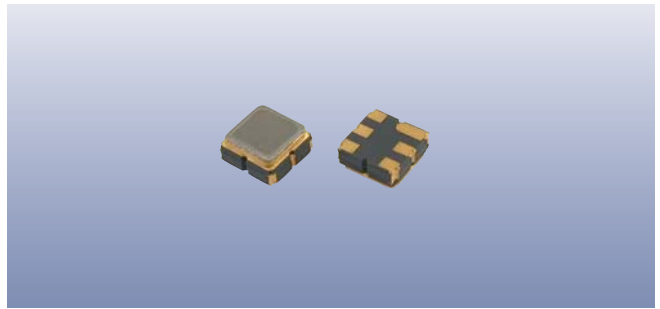
- ◆ Pad configurations and package heights may vary from those shown - please ask for a full specification sheet before ordering
- ◆ Full specifications of all models are available on request

## 2.5 x 2.0



Scale 3:1

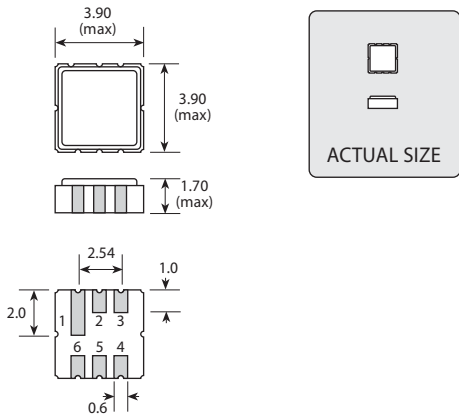
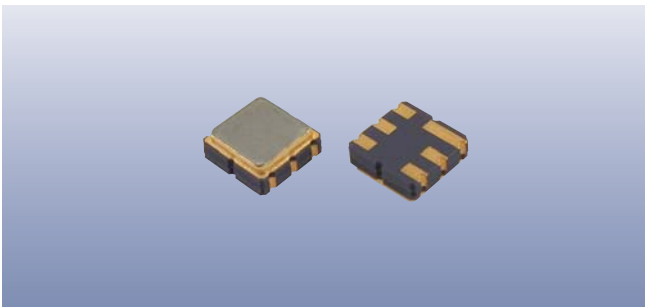
## 3.1 x 3.1



Scale 3:1

Pad connections may vary by model. Check the full specification sheet before ordering

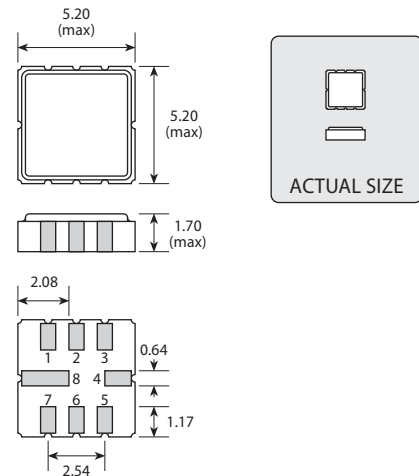
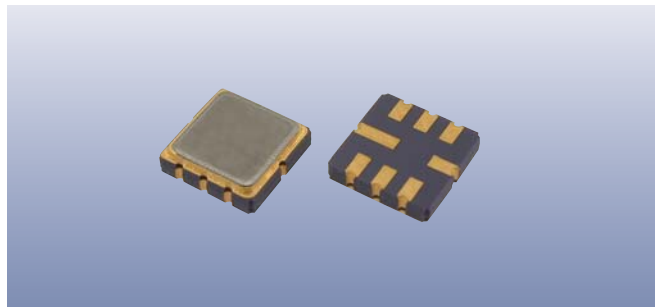
## 3.9 x 3.9



Scale 3:1

Pad connections may vary by model. Check the full specification sheet before ordering

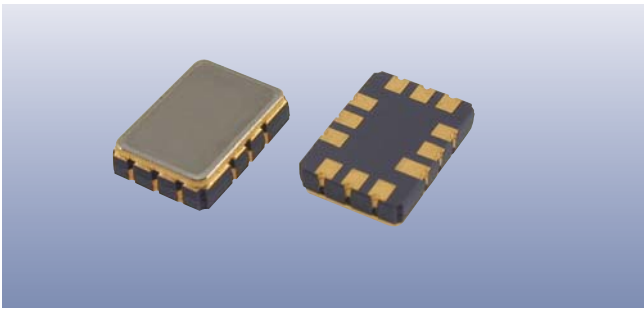
## 5.2 x 5.2



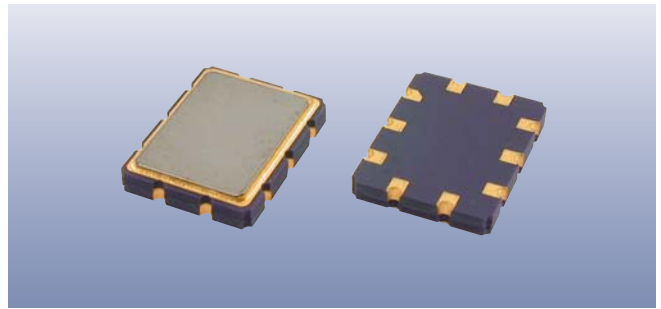
Scale 3:1

Pad connections may vary by model. Check the full specification sheet before ordering

7.0 x 5.0



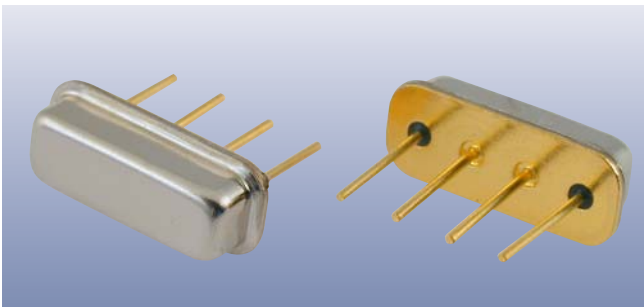
9.1 x 7.1



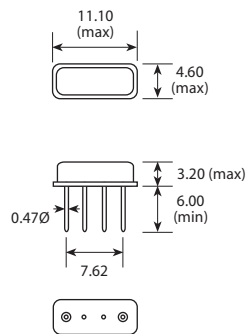
*DRAWING UNDER DEVELOPMENT*

*DRAWING UNDER DEVELOPMENT*

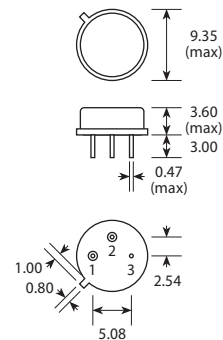
F-11



TO-39



Scale 1:1



Scale 1:1