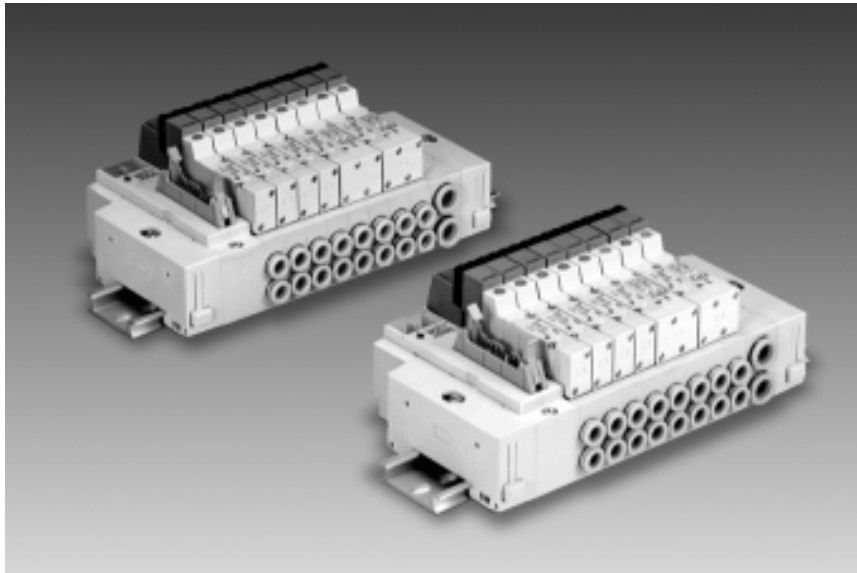


Rubber Seal 5 Port Solenoid Valve

Series SY3000/5000



- Low power consumption: 0.55W (with light)
(Current value: 23mA, 24VDC)
- Compact with high flow rate
Cv factor 1.7 to 3 times greater with same body width as previous series
- High reliability
Long life exceeding 50 million cycles
- Main valve and pilot valve common exhaust construction eliminates pilot valve exhaust mist and noise

| Series | Effective area mm ² (Cv factor) | Type of actuation | | | | | A, B port size | | |
|---------------|--|-------------------|--------|---------------|----------------|-----------------|-------------------|------------|------------|
| | | 2 position | | 3 position | | | One-touch fitting | | |
| | | Single | Double | Closed center | Exhaust center | Pressure center | C4 (ø4) | C6 (ø6) | C8 (ø8) |
| SY3□40 | 4.68 (0.26) | ● | ● | ● | ● | ● | ● | ● | — |
| SY5□40 | 12.6 (0.7) | ● | ● | ● | ● | ● | ● | ● | ● |

Series SY3000/5000

How to Order Manifolds

SS5Y 3-45G D-05 U-C4

Series

| | |
|---|--------|
| 3 | SY3000 |
| 5 | SY5000 |

Connector mounting position

| Symbol | Mounting position |
|--------|-------------------|
| U | U side |
| D | D side |

Valve stations

| Symbol | Stations | Note |
|--------|-------------|--|
| 02 | 2 stations | Single wiring specifications (up to 16 solenoids are possible) |
| ⋮ | ⋮ | |
| 16 | 16 stations | |

- Two stations are required for double and 3 position (dual body type).
- Also includes the number of blanking plate assemblies.

Options

When a DIN rail is required that is longer than the standard type, specify the number of stations. (max. 20 stations)

A, B port size

| Symbol | Port size |
|--------|----------------------|
| C4 | ø4 One-touch fitting |
| C6 | ø6 One-touch fitting |
| M | Mixed |

| Symbol | Port size |
|--------|----------------------|
| C4 | ø4 One-touch fitting |
| C6 | ø6 One-touch fitting |
| C8 | ø8 One-touch fitting |
| M | Mixed |

* Indicate mixed specifications separately on a manifold specification sheet.

Supply/Exhaust block assembly specifications

| Symbol | Specifications |
|--------|--|
| Nil | Internal pilot specification |
| R | External pilot specification |
| S | Internal pilot specification/Built-in silencer |
| RS | External pilot specification/Built-in silencer |

Supply/Exhaust block assembly mounting direction

| Symbol | Mounting position | Applicable stations |
|--------|------------------------|---------------------|
| U | U side | 2 to 10 stations |
| D | D side | 2 to 10 stations |
| B | Both sides | 2 to 16 stations |
| M | Special specifications | |

* Indicate special specifications separately on a manifold specification sheet.

How to Order Valves

2 position single **SY 3 1 4 0** **5 FU**

Double/3 position **SY 3 2 4 5** **5 FU**

Series

| | |
|---|--------|
| 3 | SY3000 |
| 5 | SY5000 |

Type of actuation

| | |
|---|----------------------------|
| 2 | 2 position double |
| 3 | 3 position closed center |
| 4 | 3 position exhaust center |
| 5 | 3 position pressure center |

Dual body type (double/3 position)

Pilot type

| | |
|-----|----------------|
| Nil | Internal pilot |
| R | External pilot |

Rated voltage

| | |
|---|-------|
| 5 | 24VDC |
|---|-------|

Manual override

| | |
|-----|-----------------------|
| Nil | Non-locking push type |
| D | Slotted locking type |
| E | Knob locking type |

How to Order Manifold Assemblies

Example

Single solenoid SY3140-5FU (3 sets)

Double solenoid SY3245-5FU (1 set)

Manifold SS5Y3-45GD-05U-C6

SS5Y3-45GD-05U-C6 1 set (manifold part number)
 * SY3140-5FU 3 sets (single solenoid part number)
 * SY3245-5FU 1 set (double solenoid part number)

The "*" symbol indicates mounting. Put the "*" symbol at the beginning of the part numbers for solenoid valves, etc., which are to be mounted.

- Valve stations are numbered from station 1 on the D side.
- Indicate the valves to be mounted below the manifold part number, in order starting from station 1 as shown in the drawing. When a layout becomes complicated, please indicate it on a manifold specification sheet.
- Since double and 3 position (dual body type) valves use two stations on a manifold base, be careful of the number of stations in manifold base part numbers.

5 Port Solenoid Valve *Series SY3000/5000*

Manifold Specifications

| Model | | Flat cable type 45G | |
|---|------------------|---------------------|--|
| Manifold type | | Plug-in type | |
| P (SUP), R (EXH) system | | Common SUP/EXH | |
| Valve stations <small>Note 1)</small> | | 2 to 16 stations | |
| A, B port piping specifications | | Location | Base |
| | | Direction | Side |
| Port size | P/R ports | SY3000 | C8 (ø8 One-touch fitting) |
| | | SY5000 | C10 (ø10 One-touch fitting) |
| | A/B ports | SY3000 | C4 (ø4 One-touch fitting)/C6 (ø6 One-touch fitting) |
| | | SY5000 | C4 (ø4 One-touch fitting) C6 (ø6 One-touch fitting)/C8 (ø8 One-touch fitting) |
| Valve effective area mm² (Cv factor) <small>Note 2)</small> | | SY3000 | C6: P→A/B 4.68 (0.26) A/B→R 4.68 (0.26) |
| | | SY5000 | C8: P→A/B 12.6 (0.7) A/B→R 12.6 (0.7) |
| Weight W (g) n: Stations (D-sub connector) <small>Note 3)</small> | | SY3000 | 2 to 10 stations: W = 26n + 172 11 to 16 stations: W = 26n + 199 |
| | | SY5000 | 2 to 10 stations: W = 54n + 227 11 to 16 stations: W = 54n + 264 |

Note 1) Available with up to 16 solenoids. When a large number of valves will be operated simultaneously, use type B (supply/exhaust on both sides), applying pressure to the P ports on both sides and releasing exhaust from the R ports on both sides.

Note 2) The value is for manifold base mounting (5 stations). 2 position type with single action.

Note 3) The weight W is the value for the manifold only. To obtain the weight with solenoid valves, add the solenoid valve weights for the required number of stations. Furthermore, when mounting supply/exhaust block assemblies on both sides of type B with a 2 to 10 station manifold, calculate the weight W using the formula for 11 to 16 stations.

Solenoid Valve Specifications

| Series | | SY3000 | SY5000 |
|---|----------------------------------|--|----------------|
| Fluid | | Air | |
| Internal pilot operating pressure range MPa | 2 position single | 0.15 to 0.7 | |
| | 2 position double | 0.1 to 0.7 | |
| | 3 position | 0.2 to 0.7 | |
| External pilot operating pressure range MPa | Operating pressure range | | -100kPa to 0.7 |
| | Pilot pressure range | 2 position single | 0.25 to 0.7 |
| | | 2 position double | |
| 3 position | | | |
| Ambient and fluid temperature °C | | Maximum 50 | |
| Max. operating frequency Hz | 2 position single, double | 10 | 5 |
| | 3 position | 3 | 3 |
| Manual override | | Non-locking push type Slotted locking type, Knob locking type | |
| Pilot exhaust type | Internal pilot | Main valve/pilot valve common exhaust type | |
| | External pilot | Pilot valve individual exhaust type | |
| Lubrication | | Not required | |
| Mounting orientation | | Unrestricted | |
| Impact/Vibration resistance m/s² <small>Note)</small> | | 150/30 | |
| Enclosure | | Dust proof | |

Note) Impact resistance: No malfunction when tested with a drop tester in the axial direction and at a right angle to the main valve and armature, one time each in both energized and deenergized states. (Initial value)

Vibration resistance: No malfunction when tested with one sweep of 8.3 to 2000Hz in the axial direction and at a right angle to the main valve and armature, in both energized and deenergized states. (Initial value)

Solenoid Specifications

| | |
|--------------------------------------|-----------------------|
| Rated coil voltage | 24VDC |
| Allowable voltage fluctuation | ±10% of rated voltage |
| Power consumption | 0.55W |
| Surge voltage suppressor | Diode |
| Indicator light | LED |

Response Time

Note) Based on JISB8375-1981 dynamic performance test (with coil temperature of 20°C and at rated voltage).

SY3000

| Type of actuation | Response time ms | |
|-------------------|-------------------------------------|--|
| | With light/surge voltage suppressor | |
| 2 position single | 12 or less | |
| 2 position double | 10 or less | |
| 3 position | 16 or less | |

SY5000

| Type of actuation | Response time ms | |
|-------------------|-------------------------------------|--|
| | With light/surge voltage suppressor | |
| 2 position single | 19 or less | |
| 2 position double | 18 or less | |
| 3 position | 32 or less | |

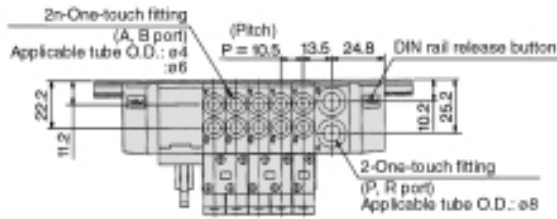
Weights

| Valve model | Type of actuation | | Weight g |
|---------------|-------------------|-----------------|----------|
| SY3140 | 2 position | Single | 51 |
| | | Double | 77 |
| SY3□45 | 3 position | Closed center | 82 |
| | | Exhaust center | |
| | | Pressure center | |
| SY5140 | 2 position | Single | 59 |
| | | Double | 102 |
| SY5□45 | 3 position | Closed center | 112.6 |
| | | Exhaust center | |
| | | Pressure center | |

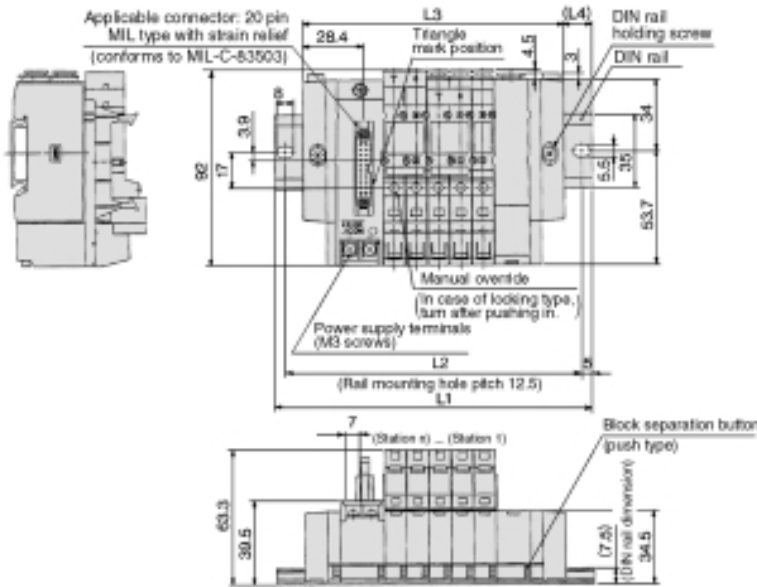
Series SY3000/5000

SY3000: Flat Cable Type/Plug-in

SS5Y3-45GU- Stations D- C4 C6

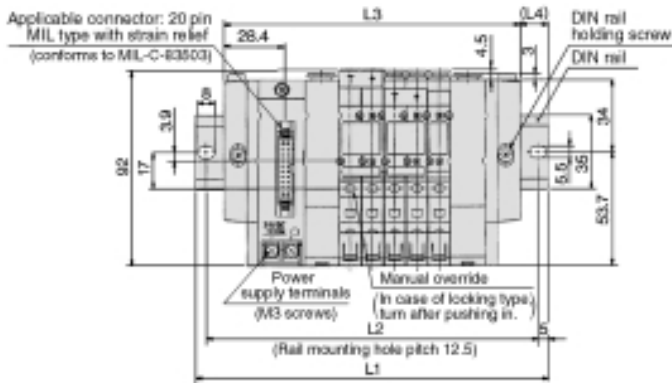
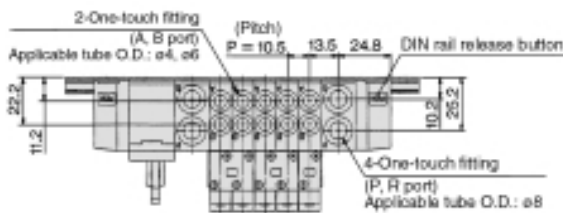


Note) L1 to L4 dimensions of **SS5Y3-45GU- Stations U- C4 C6** are the same as SS5Y3-45GU- Stations D- C4 C6.



| Stations | 2 | 3 | 4 | 5 | 6 | 7 | 8 | 9 | 10 |
|----------|-------|-------|-------|-------|-------|-------|-------|-------|-------|
| L1 | 123 | 135.5 | 148 | 148 | 160.5 | 173 | 185.5 | 198 | 210.5 |
| L2 | 112.5 | 125 | 137.5 | 137.5 | 150 | 162.5 | 175 | 187.5 | 200 |
| L3 | 91.5 | 102 | 112.5 | 123 | 133.5 | 144 | 154.5 | 165 | 175.5 |
| L4 | 15.5 | 16.5 | 17.5 | 12.5 | 13.5 | 14.5 | 15.5 | 16.5 | 17.5 |

SS5Y3-45GU- Stations B- C4 C6

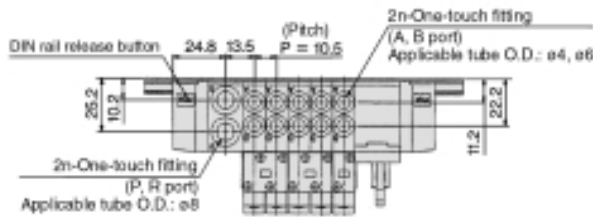


| Stations | 2 | 3 | 4 | 5 | 6 | 7 | 8 | 9 | 10 |
|----------|-------|-------|-------|-------|-------|-------|-------|-------|-------|
| L1 | 135.5 | 148 | 160.5 | 173 | 185.5 | 185.5 | 198 | 210.5 | 223 |
| L2 | 125 | 137.5 | 150 | 162.5 | 175 | 175 | 187.5 | 200 | 212.5 |
| L3 | 108 | 118.5 | 129 | 139.5 | 150 | 160.5 | 171 | 181.5 | 192 |
| L4 | 13.5 | 14.5 | 15.5 | 16.5 | 17.5 | 12.5 | 13.5 | 14.5 | 15.5 |

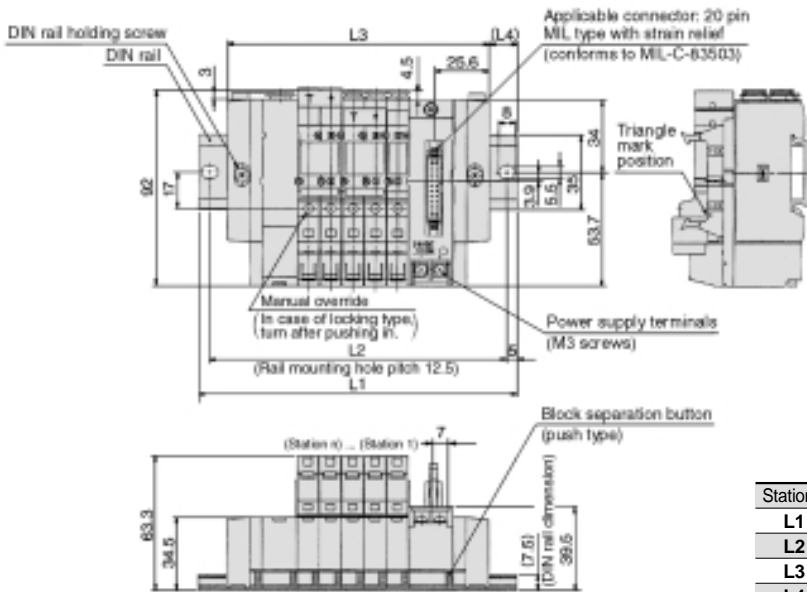
| Stations | 11 | 12 | 13 | 14 | 15 | 16 |
|----------|-------|-------|-------|-------|-------|-------|
| L1 | 235.5 | 248 | 248 | 260.5 | 273 | 285.5 |
| L2 | 225 | 237.5 | 237.5 | 250 | 262.5 | 275 |
| L3 | 202.5 | 213 | 223.5 | 234 | 244.5 | 255 |
| L4 | 16.5 | 17.5 | 12 | 13 | 14 | 15 |

5 Port Solenoid Valve Series SY3000/5000

SS5Y3-45GD- Stations U-C₆

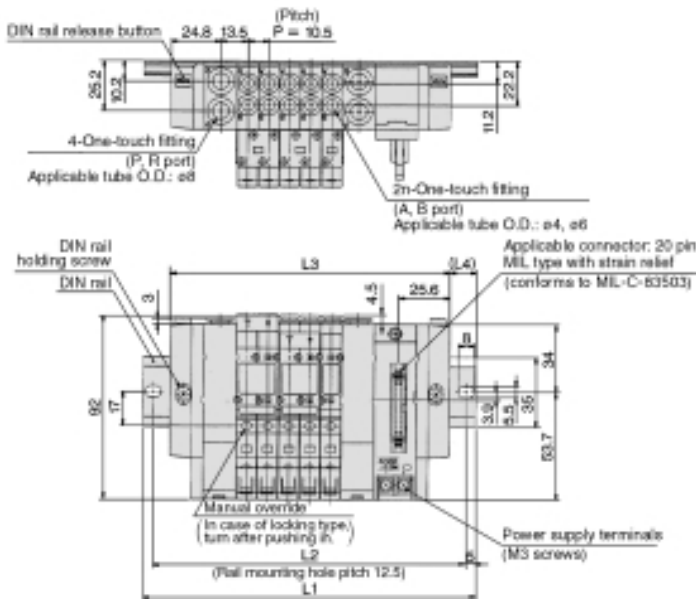


Note) L1 to L4 dimensions of SS5Y3-45GD- Stations D-C₆ are the same as SS5Y3-45GD- Stations U-C₆.



| Stations | 2 | 3 | 4 | 5 | 6 | 7 | 8 | 9 | 10 |
|----------|-------|-------|-------|-------|-------|-------|-------|-------|-------|
| L1 | 123 | 135.5 | 148 | 148 | 160.5 | 173 | 185.5 | 198 | 210.5 |
| L2 | 112.5 | 125 | 137.5 | 137.5 | 150 | 162.5 | 175 | 187.5 | 200 |
| L3 | 91.5 | 102 | 112.5 | 123 | 133.5 | 144 | 154.5 | 165 | 175.5 |
| L4 | 15.5 | 16.5 | 17.5 | 12.5 | 13.5 | 14.5 | 15.5 | 16.5 | 17.5 |

SS5Y3-45GD- Stations B-C₆



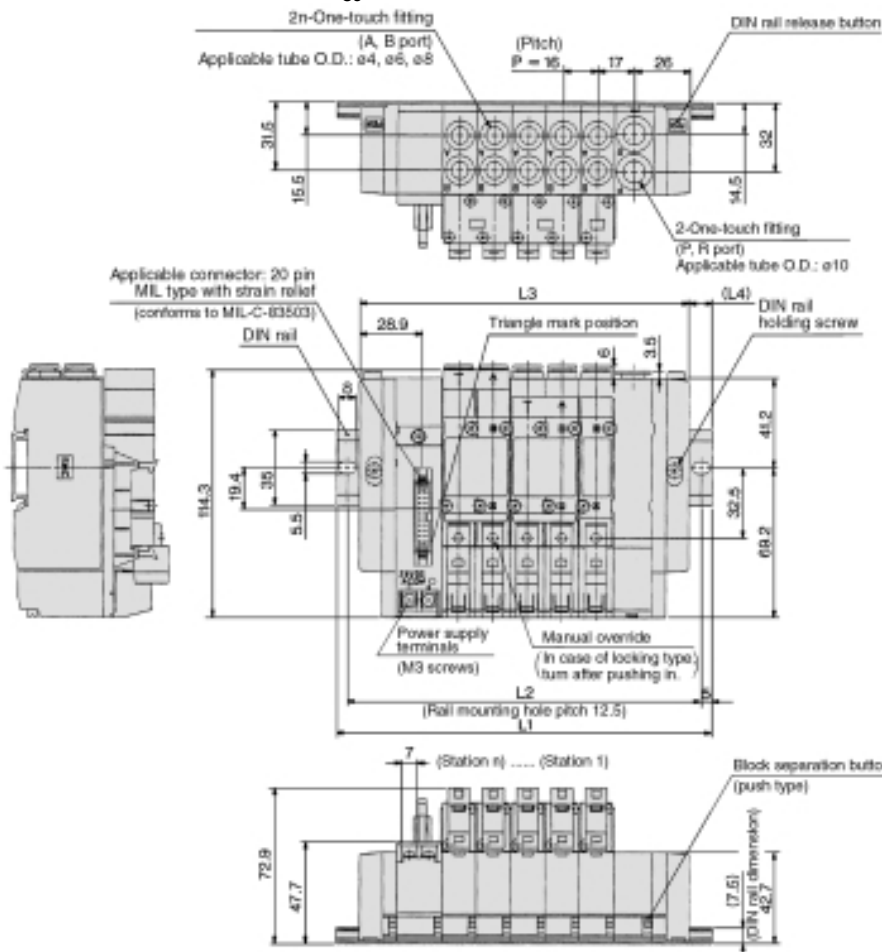
| Stations | 2 | 3 | 4 | 5 | 6 | 7 | 8 | 9 | 10 |
|----------|-------|-------|-------|-------|-------|-------|-------|-------|-------|
| L1 | 135.5 | 148 | 160.5 | 173 | 185.5 | 185.5 | 198 | 210.5 | 223 |
| L2 | 125 | 137.5 | 150 | 162.5 | 175 | 175 | 187.5 | 200 | 212.5 |
| L3 | 108 | 118.5 | 129 | 139.5 | 150 | 160.5 | 171 | 181.5 | 192 |
| L4 | 13.5 | 14.5 | 15.5 | 16.5 | 17.5 | 12.5 | 13.5 | 14.5 | 15.5 |

| Stations | 11 | 12 | 13 | 14 | 15 | 16 |
|----------|-------|-------|-------|-------|-------|-------|
| L1 | 235.5 | 248 | 248 | 260.5 | 273 | 285.5 |
| L2 | 225 | 237.5 | 237.5 | 250 | 262.5 | 275 |
| L3 | 202.5 | 213 | 223.5 | 234 | 244.5 | 255 |
| L4 | 16.5 | 17.5 | 12 | 13 | 14 | 15 |

Series SY3000/5000

SY5000: Flat Cable Type/Plug-in

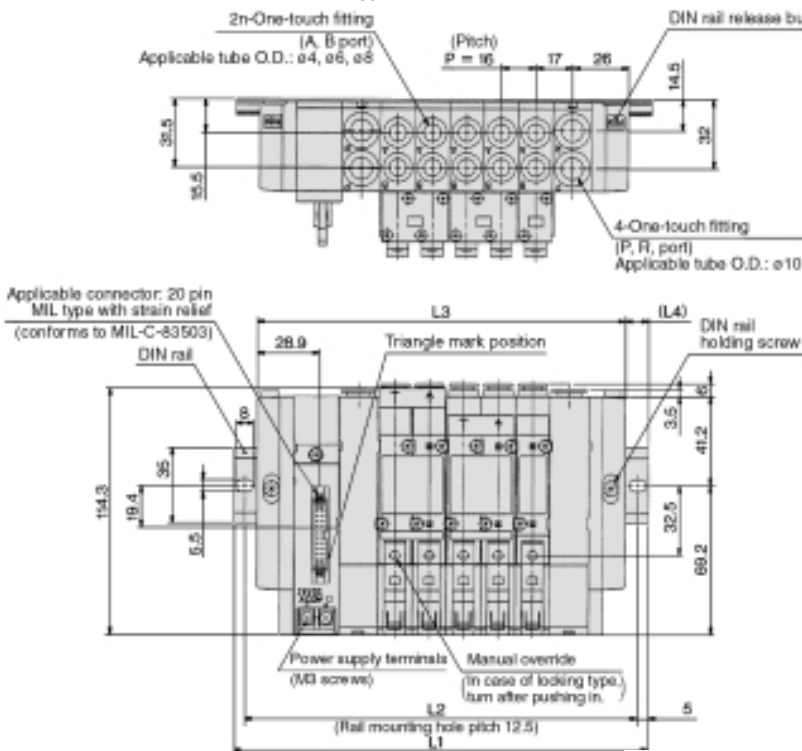
SS5Y5-45GU- Stations D-^{C4}_{C6}_{C8}



Note) L1 to L4 dimensions of SS5Y5-45GU- Stations U-^{C4}_{C6}_{C8} are the same as SS5Y5-45GU- Stations D-^{C4}_{C6}_{C8}.

| Stations | 2 | 3 | 4 | 5 | 6 | 7 | 8 | 9 | 10 |
|----------|-------|-------|-------|-------|-------|-------|-------|-------|-------|
| L1 | 135.5 | 148 | 160.5 | 185.5 | 198 | 210.5 | 235.5 | 248 | 260.5 |
| L2 | 125 | 137.5 | 150 | 175 | 187.5 | 200 | 225 | 237.5 | 250 |
| L3 | 105 | 121 | 137 | 153 | 169 | 185 | 201 | 217 | 233 |
| L4 | 15 | 13.5 | 11.5 | 16 | 14.5 | 12.5 | 17 | 15.5 | 13.5 |

SS5Y5-45GU- Stations B-^{C4}_{C6}_{C8}

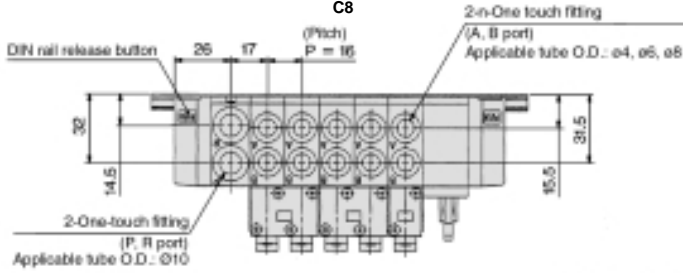


| Stations | 2 | 3 | 4 | 5 | 6 | 7 | 8 | 9 | 10 |
|----------|-------|-------|-------|-------|-------|-------|-------|-------|-------|
| L1 | 148 | 173 | 185.5 | 198 | 210.5 | 235.5 | 248 | 260.5 | 285.5 |
| L2 | 137.5 | 162.5 | 175 | 187.5 | 200 | 225 | 237.5 | 250 | 275 |
| L3 | 123 | 139 | 155 | 171 | 187 | 203 | 219 | 235 | 251 |
| L4 | 12.5 | 17 | 15 | 13.5 | 11.5 | 16 | 14.5 | 12.5 | 17 |

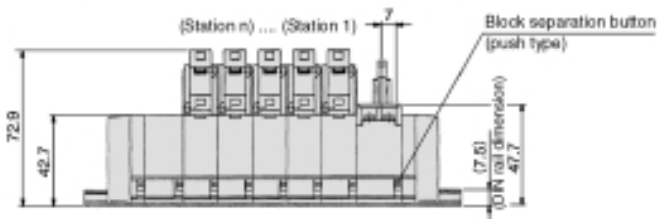
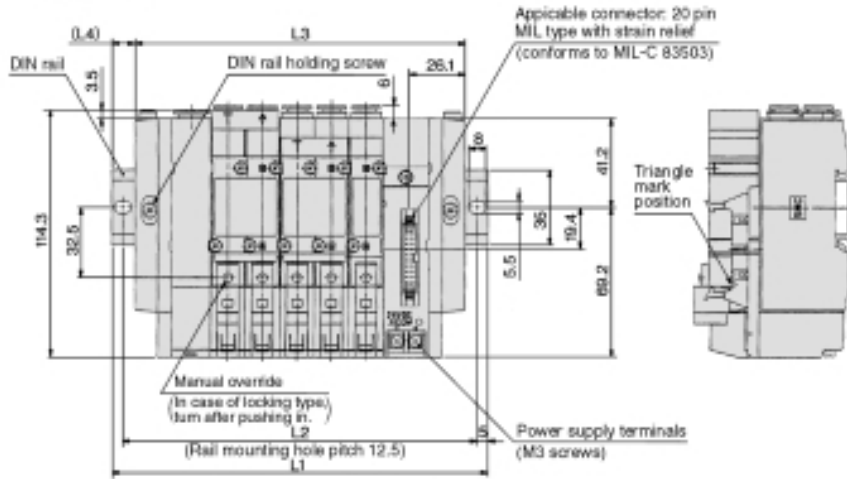
| Stations | 11 | 12 | 13 | 14 | 15 | 16 |
|----------|-------|-------|-------|-------|-------|-------|
| L1 | 298 | 310.5 | 323 | 348 | 360.5 | 373 |
| L2 | 287.5 | 300 | 312.5 | 337.5 | 350 | 362.5 |
| L3 | 267 | 283 | 299 | 315 | 331 | 347 |
| L4 | 15.5 | 13.5 | 12 | 16.5 | 14.5 | 13 |

5 Port Solenoid Valve Series SY3000/5000

SS5Y5-45GD- Stations U-^{C4}_{C6}_{C8}

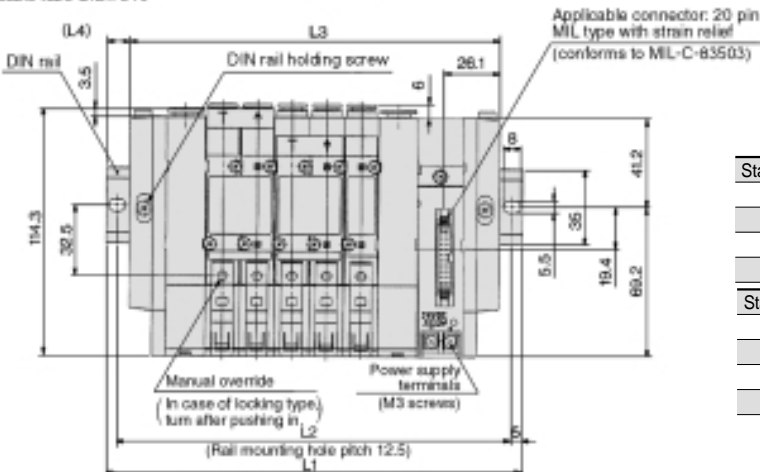
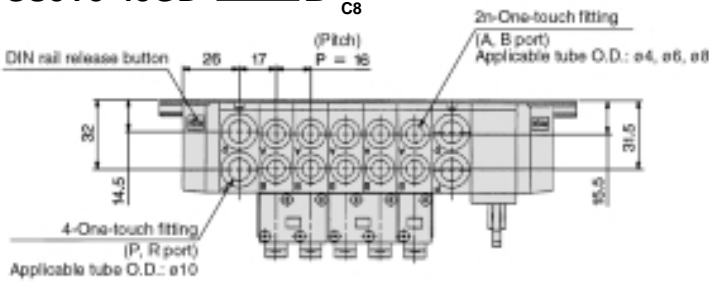


Note) L1 to L4 dimensions of SS5Y5-45GD- Stations D-^{C4}_{C6}_{C8} are the same as SS5Y5-45GD- Stations U-^{C4}_{C6}_{C8}.



| Stations | 2 | 3 | 4 | 5 | 6 | 7 | 8 | 9 | 10 |
|----------|-------|-------|-------|-------|-------|-------|-------|-------|-------|
| L1 | 135.5 | 148 | 160.5 | 185.5 | 198 | 210.5 | 235.5 | 248 | 260.5 |
| L2 | 125 | 137.5 | 150 | 175 | 187.5 | 200 | 225 | 237.5 | 250 |
| L3 | 105 | 121 | 137 | 153 | 169 | 185 | 201 | 217 | 233 |
| L4 | 15 | 13.5 | 11.5 | 16 | 14.5 | 12.5 | 17 | 15.5 | 13.5 |

SS5Y5-45GD- Stations B-^{C4}_{C6}_{C8}



| Stations | 2 | 3 | 4 | 5 | 6 | 7 | 8 | 9 | 10 |
|----------|-------|-------|-------|-------|-------|-------|-------|-------|-------|
| L1 | 148 | 173 | 185.5 | 198 | 210.5 | 235.5 | 248 | 260.5 | 285.5 |
| L2 | 137.5 | 162.5 | 175 | 187.5 | 200 | 225 | 237.5 | 250 | 275 |
| L3 | 123 | 139 | 155 | 171 | 187 | 203 | 219 | 235 | 251 |
| L4 | 12.5 | 17 | 15 | 13.5 | 11.5 | 16 | 14.5 | 12.5 | 17 |

| Stations | 11 | 12 | 13 | 14 | 15 | 16 |
|----------|-------|-------|-------|-------|-------|-------|
| L1 | 298 | 310.5 | 323 | 348 | 360.5 | 373 |
| L2 | 287.5 | 300 | 312.5 | 337.5 | 350 | 362.5 |
| L3 | 267 | 283 | 299 | 315 | 331 | 347 |
| L4 | 15.5 | 13.5 | 12 | 16.5 | 14.5 | 13 |

SY3000: Flat Cable 20 Pin Type

Plug-in Type, DIN Rail Manifold

Manifold Valve Specification Sheet

| | | | |
|-------------------------|--------|---------------|--|
| Company name | | | |
| Contact person | | | |
| Specification sheet no. | | | |
| Purchase order no. | | | |
| Equipment name | | | |
| Quantity | set(s) | Date required | |

Make entries in order from ① to ③.

① How to Order Manifolds

Enter the symbols for the required specifications in the blanks below.

SS5Y3-45G

Connector mounting direction

| Symbol | Mounting position |
|--------|-------------------|
| U | U side |
| D | D side |

Valve stations

| Symbol | Stations | Note |
|--------|-------------|---|
| 02 | 2 stations | Single wiring specifications (up to 16 solenoids are possible.) |
| ⋮ | ⋮ | |
| 16 | 16 stations | |

- Also includes the number of blanking plate assemblies.
- Since valves other than single solenoids are dual body types, they require two stations.

Supply/Exhaust block assembly mounting position

| Symbol | Mounting position | Applicable stations |
|--------|------------------------|---------------------|
| U | U side | 2 to 10 stations |
| D | D side | |
| B | Both sides | 2 to 16 stations |
| M | Special specifications | |

Indicate special specifications, in the station table below.

Supply/Exhaust block assembly specifications

| Symbol | Specifications |
|--------|---------------------------------------|
| Nil | Standard/Internal pilot specification |
| R | External pilot specification |
| S | Internal pilot/Built-in silencer |
| RS | External pilot/Built-in silencer |

A, B port size

| Symbol | Specifications |
|--------|----------------------|
| C4 | ø4 One-touch fitting |
| C6 | ø6 One-touch fitting |
| M | Mixed |

Indicate mixed mounting in the station table below by entering C4 and C6 instead of "X's".

(Maximum of 16 stations but up to 16 solenoids are possible.)

② How to Order Valves

Enter the symbols for the required specifications in the blanks below.

SY3 **—5FU**

Type of valve actuation Body option

| Symbol | Specifications | Standard |
|--------|----------------------------|----------------|
| 140 | 2 position single | Dual body type |
| 245 | 2 position double | |
| 345 | 3 position closed center | |
| 445 | 3 position exhaust center | |
| 545 | 3 position pressure center | |

Indicate in the station table below.

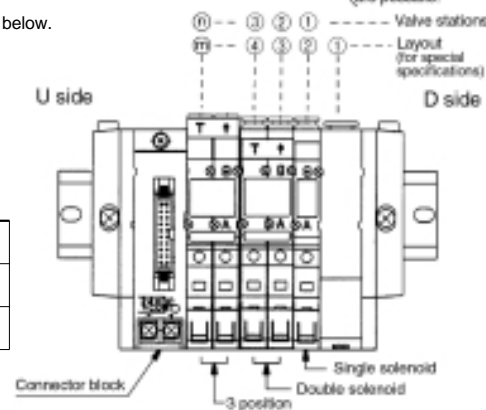
Pilot type

| Symbol | Specifications |
|--------|----------------|
| Nil | Internal pilot |
| R | External pilot |

When using an external pilot valve, enter an "X" in the "external pilot specification" section of the station table below.

Manual override

| Symbol | Specifications |
|--------|-----------------------|
| Nil | Non-locking push type |
| D | Slotted locking type |
| E | Knob locking type |



Note) Connector blocks are not included in stations and layouts.

③ Station Table

- In the case of a single solenoid, enter an "X" in one station box.
- For double and 3 position, enter an "X" across two station boxes. (Refer to the entry example below.) [When A, B port sizes are mixed, indicate the sizes in section (a) with C4 and C6.]

| Valve stations or layout | | 20 | 19 | 18 | 17 | 16 | 15 | 14 | 13 | 12 | 11 | 10 | 9 | 8 | 7 | 6 | 5 | 4 | 3 | 2 | 1 | Quantity | |
|--|-------------------------------|-----------------|----|----|----|----|----|----|----|----|----|----|---|---|---|---|---|---|---|---|---|----------|--|
| 2 position | Single solenoid | | | | | | | | | | | | | | | | | | | | | | |
| | Double solenoid | | | | | | | | | | | | | | | | | | | | | | |
| | 3 position | Closed center | | | | | | | | | | | | | | | | | | | | | |
| | | Exhaust center | | | | | | | | | | | | | | | | | | | | | |
| | | Pressure center | | | | | | | | | | | | | | | | | | | | | |
| 3 port valve | N.C. single | | | | | | | | | | | | | | | | | | | | | | |
| | N.C. double | | | | | | | | | | | | | | | | | | | | | | |
| | N.O. single | | | | | | | | | | | | | | | | | | | | | | |
| | N.O. double | | | | | | | | | | | | | | | | | | | | | | |
| Blanking plate assembly | | | | | | | | | | | | | | | | | | | | | | | |
| External pilot specification (enter only for external pilot) | | | | | | | | | | | | | | | | | | | | | | | |
| Enter for special specs. | Supply/Exhaust block assembly | | | | | | | | | | | | | | | | | | | | | | |
| | SUP blocking disk | | | | | | | | | | | | | | | | | | | | | | |
| EXH blocking disk (2pcs./location) | | | | | | | | | | | | | | | | | | | | | | | |

[Entry example]

| Valve stations or layout | | 6 | 5 | 4 | 3 | 2 | 1 |
|--------------------------|-----------------|----|---|----|---|---|---|
| 2 position | Single solenoid | | | C4 | | | X |
| | Double solenoid | C6 | | | X | | |

Notes

- Blanking plate assembly: SX3000-75-2A
- SUP blocking disk: SX3000-77-1A
- EXH blocking disk: SX3000-77-1A (2pcs./location)
- Supply/Exhaust block assembly (standard): SX3000-51-2A
- Supply/Exhaust block assembly (R): SX3000-51-6A
- Supply/Exhaust block assembly (S): SX3000-51-7A
- Supply/Exhaust block assembly (RS): SX3000-51-8A

When the port sizes are mixed

For SMC use only

Enter the ordered part numbers.

| Part no. | Quantity |
|----------|----------|
| | |
| | |
| | |
| | |
| | |

| Part no. | Quantity |
|----------|----------|
| | |
| | |
| | |
| | |
| | |

| | |
|------------------|--|
| Order no. | |
| Clerk (code no.) | |
| Dept. code | |

Note) When there are special specifications for the mounting position of supply/exhaust block assemblies, enter the part numbers and quantities for the supply/exhaust block assemblies together with the manifold model.

SY5000: Flat Cable 20 Pin Type

Plug-in Type, DIN Rail Manifold

Manifold Valve Specification Sheet

Make entries in order from ① to ③.

① How to Order Manifolds

Enter the symbols for the required specifications in the blanks below.

SS5Y5-45G

Connector mounting direction

| Symbol | Mounting position |
|--------|-------------------|
| U | U side |
| D | D side |

Valve stations

| Symbol | Stations | Note |
|--------|-------------|---|
| 02 | 2 stations | Single wiring specifications (up to 16 solenoids are possible.) |
| ... | ... | |
| 16 | 16 stations | |

- Also includes the number of blanking plate assemblies.
- Since valves other than single solenoids are dual body types, they require two stations.

Supply/Exhaust block assembly mounting position

| Symbol | Mounting position | Applicable station |
|--------|------------------------|--------------------|
| U | U side | 2 to 10 stations |
| D | D side | |
| B | Both sides | 2 to 16 stations |
| M | Special specifications | |

In case of special specifications, indicate in the station table below.

Options

When a DIN rail is required that is longer than the standard type, specify the number of stations. (max. 20 stations)

Supply/Exhaust block assembly specifications

| Symbol | Specifications |
|--------|---------------------------------------|
| Nil | Standard/Internal pilot specification |
| R | External pilot specification |
| S | Internal pilot/Built-in silencer |
| RS | External pilot/Built-in silencer |

A, B port size

| Symbol | Specifications |
|--------|----------------------|
| C4 | ø4 One-touch fitting |
| C6 | ø6 One-touch fitting |
| C8 | ø8 One-touch fitting |
| M | Mixed |

Indicate mixed mounting in the station table below by entering C4, C6 and C8 instead of "X's".

② How to Order Valves

Enter the symbols for the required specifications in the blanks below.

SY5 *** * — 5FU

Valve actuation/Body option

| | | |
|-----|----------------------------|----------------|
| 140 | 2 position single | Standard |
| 245 | 2 position double | |
| 345 | 3 position closed center | Dual body type |
| 445 | 3 position exhaust center | |
| 545 | 3 position pressure center | |

Indicate in the station table below.

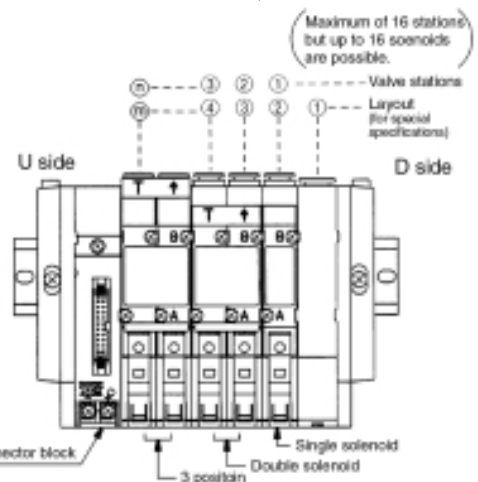
Pilot type

| | |
|-----|----------------|
| Nil | Internal pilot |
| R | External pilot |

When using an external pilot valve, enter an "X" in the "external pilot specification" section of the station table below.

Manual override

| | |
|-----|-----------------------|
| Nil | Non-locking push type |
| D | Slotted locking type |
| E | Knob locking type |



Note) Connector blocks are not included in stations and layouts.

③ Station Table

- In the case of a single solenoid, enter an "X" in one station box.
- For double and 3 position, enter an "X" across two station boxes. (Refer to the entry example below.) [When A, B port sizes are mixed, indicate the sizes in section (a) with C4 and C6.]

| Valve stations or layout | | 20 | 19 | 18 | 17 | 16 | 15 | 14 | 13 | 12 | 11 | 10 | 9 | 8 | 7 | 6 | 5 | 4 | 3 | 2 | 1 | Quantity |
|--|-------------------------------|----|----|----|----|----|----|----|----|----|----|----|---|---|---|---|---|---|---|---|---|----------|
| 2 position | Single solenoid | | | | | | | | | | | | | | | | | | | | | |
| | Double solenoid | | | | | | | | | | | | | | | | | | | | | |
| 3 position | Closed center | | | | | | | | | | | | | | | | | | | | | |
| | Exhaust center | | | | | | | | | | | | | | | | | | | | | |
| | Pressure center | | | | | | | | | | | | | | | | | | | | | |
| 3 port valve | N.C. single | | | | | | | | | | | | | | | | | | | | | |
| | N.C. double | | | | | | | | | | | | | | | | | | | | | |
| | N.O. single | | | | | | | | | | | | | | | | | | | | | |
| | N.O. double | | | | | | | | | | | | | | | | | | | | | |
| Blanking plate assembly | | | | | | | | | | | | | | | | | | | | | | |
| External pilot specification (enter only for external pilot) | | | | | | | | | | | | | | | | | | | | | | |
| Enter for special specs. | Supply/Exhaust block assembly | | | | | | | | | | | | | | | | | | | | | |
| | | | | | | | | | | | | | | | | | | | | | | |
| SUP blocking disk | | | | | | | | | | | | | | | | | | | | | | |
| EXH blocking disk (2pcs./location) | | | | | | | | | | | | | | | | | | | | | | |

[Entry example]

| Valve stations or layout | | 6 | 5 | 4 | 3 | 2 | 1 |
|--------------------------|-----------------|----|---|----|---|---|---|
| 2 position | Single solenoid | | | C4 | | | X |
| | Double solenoid | C6 | | | X | | |

Notes

- Blanking plate assembly: SX5000-76-2A
- SUP blocking disk: SX5000-77-1A
- EXH blocking disk: SX5000-77-1A (2pcs./location)
- Supply/Exhaust block assembly (standard): SX5000-51-2A
- Supply/Exhaust block assembly (R): SX5000-51-6A
- Supply/Exhaust block assembly (S): SX5000-51-7A
- Supply/Exhaust block assembly (RS): SX5000-51-8A

When the port sizes are mixed

For SMC use only

Enter the ordered part numbers.

| Part no. | Quantity |
|----------|----------|
| | |
| | |
| | |
| | |
| | |

| Part no. | Quantity |
|----------|----------|
| | |
| | |
| | |
| | |
| | |

| | |
|------------------|--|
| Order no. | |
| Clerk (code no.) | |
| Dept. code | |

Note) When there are special specifications for the mounting position of supply/exhaust block assemblies, enter the part numbers and quantities for supply/exhaust block assemblies together with the manifold model.