

# Software-Selectable Multiprotocol Transceiver with Termination

December 1999

## FEATURES

- **Software-Selectable Transceiver Supports:** RS232, RS449, EIA530, EIA530-A, V.35, V.36, X.21
- TUV Telecom Services Inc. Certified NET1, NET2 and TBR2 Compliant
- On-Chip Cable Termination
- **Pin Compatible with LTC1543**
- Complete DTE or DCE Port with LTC1544
- Operates from Single 5V Supply
- Small Footprint

## APPLICATIONS

- Data Networking
- CSU and DSU
- Data Routers

## DESCRIPTION

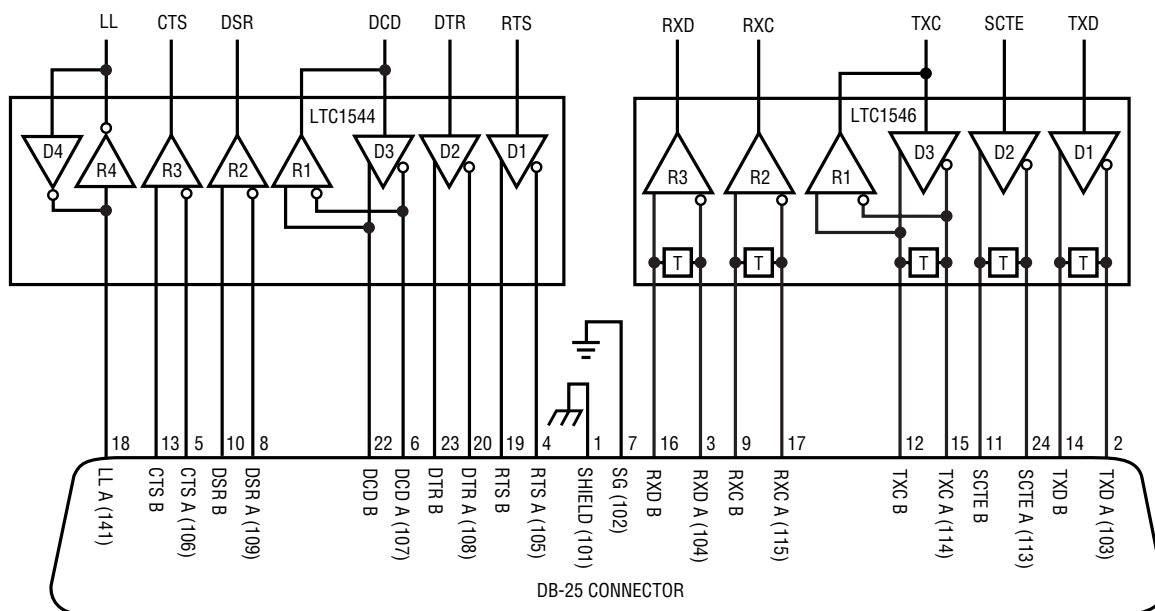
The LTC<sup>®</sup>1546 is a 3-driver/3-receiver multiprotocol transceiver with on-chip cable termination. When combined with the LTC1544, this chip set forms a complete software-selectable DTE or DCE interface port that supports the RS232, RS449, EIA530, EIA530-A, V.35, V.36 and X.21 protocols. All necessary cable termination is provided inside the LTC1546. In most applications, the LTC1546 replaces both an LTC1543 and an LTC1344A without any changes to the PC board.

The LTC1546 runs from a single 5V supply using an internal charge pump that requires only five space-saving surface mounted capacitors. The LTC1546 is available in a 28-lead SSOP surface mount package.

LT, LTC and LT are registered trademarks of Linear Technology Corporation.

## TYPICAL APPLICATION

Complete DTE or DCE Multiprotocol Serial Interface with DB-25 Connector



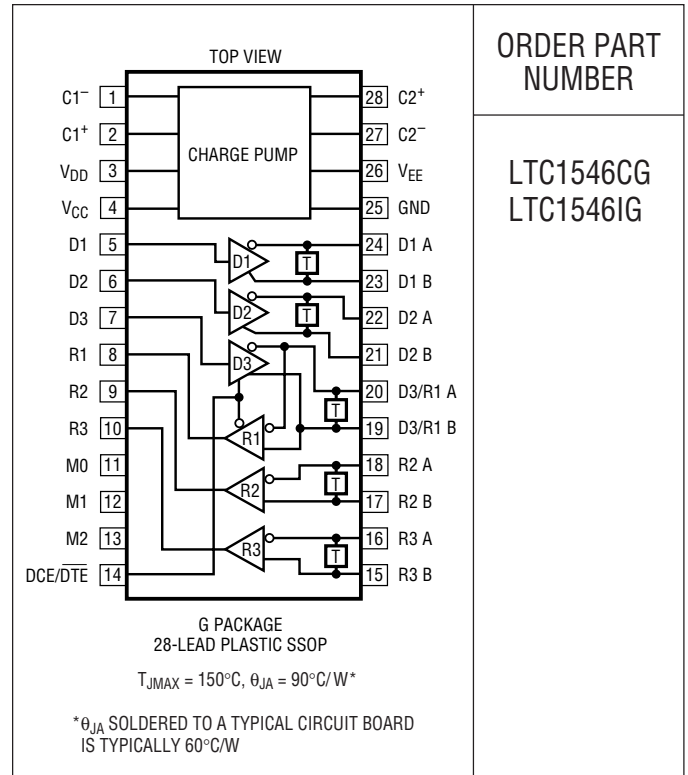
1546 TA01

**ABSOLUTE MAXIMUM RATINGS**

(Note 1)

Supply Voltage .....	6.5V
Input Voltage	
Transmitters .....	-0.3V to (V <sub>CC</sub> + 0.3V)
Receivers .....	-18V to 18V
Logic Pins .....	-0.3V to (V <sub>CC</sub> + 0.3V)
Output Voltage	
Transmitters .....	(V <sub>EE</sub> - 0.3V) to (V <sub>DD</sub> + 0.3V)
Receivers .....	-0.3V to (V <sub>CC</sub> + 0.3V)
V <sub>EE</sub> .....	-10V to 0.3V
V <sub>DD</sub> .....	-0.3V to 10V
Short-Circuit Duration	
Transmitter Output .....	Indefinite
Receiver Output .....	Indefinite
V <sub>EE</sub> .....	30 sec
Operating Temperature Range	
LTC1546C .....	0°C to 70°C
LTC1546I .....	-40°C to 85°C
Storage Temperature Range .....	-65°C to 150°C
Lead Temperature (Soldering, 10 sec) .....	300°C

**PACKAGE/ORDER INFORMATION**



ORDER PART NUMBER

LTC1546CG  
LTC1546IG

Consult factory for Military grade parts.

**ELECTRICAL CHARACTERISTICS** The ● denotes specifications which apply over the full operating temperature range, otherwise specifications are at T<sub>A</sub> = 25°C. V<sub>CC</sub> = 5V (Notes 2, 3)

SYMBOL	PARAMETER	CONDITIONS	MIN	TYP	MAX	UNITS
<b>Supplies</b>						
I <sub>CC</sub>	V <sub>CC</sub> Supply Current (DCE Mode, All Digital Pins = GND or V <sub>CC</sub> )	RS530, RS530-A, X.21 Modes, No Load	●	14		mA
		RS530, RS530-A, X.21 Modes, Full Load	●	100	130	mA
		V.35 Mode	●	126	170	mA
		V.28 Mode, No Load		20		mA
		V.28 Mode, Full Load	●	35	75	mA
		No-Cable Mode	●	60	500	μA
P <sub>D</sub>	Internal Power Dissipation (DCE Mode)	RS530, RS530-A, X.21 Modes, Full Load		410		mW
		V.35 Mode, Full Load		625		mW
		V.28 Mode, Full Load		150		mW
V <sup>+</sup>	Positive Charge Pump Output Voltage	V.11 or V.28 Mode, No Load	●	8.0	9.3	V
		V.35 Mode	●	7.0	8.0	V
		V.28 Mode, with Load	●	8.0	8.7	V
		V.28 Mode, with Load, I <sub>DD</sub> = 10mA			6.5	V
V <sup>-</sup>	Negative Charge Pump Output Voltage	V.28 Mode, No Load		-9.6		V
		V.28 Mode, Full Load	●	-7.5	-8.5	V
		V.35 Mode	●	-5.5	-6.5	V
		RS530, RS530-A, X.21 Modes, Full Load	●	-4.5	-6.0	V

## ELECTRICAL CHARACTERISTICS

The ● denotes specifications which apply over the full operating temperature range, otherwise specifications are at  $T_A = 25^\circ\text{C}$ .  $V_{CC} = 5\text{V}$  (Notes 2, 3)

SYMBOL	PARAMETER	CONDITIONS	MIN	TYP	MAX	UNITS
$f_{\text{OSC}}$	Charge Pump Oscillator Frequency			500		kHz
$t_r$	Charge Pump Rise Time	No-Cable Mode/Power-Off to Normal Operation		2		ms

### Logic Inputs and Outputs

$V_{\text{IH}}$	Logic Input High Voltage		●	2		V	
$V_{\text{IL}}$	Logic Input Low Voltage		●		0.8	V	
$I_{\text{IN}}$	Logic Input Current	D1, D2, D3 M0, M1, M2, DCE = GND M0, M1, M2, DCE = $V_{\text{CC}}$	● ● ●	-120	-75 ±10 -30 ±10	μA μA μA	
$V_{\text{OH}}$	Output High Voltage	$I_O = -3\text{mA}$	●	3	4.5	V	
$V_{\text{OL}}$	Output Low Voltage	$I_O = 3\text{mA}$	●		0.3	0.45	V
$I_{\text{OSR}}$	Output Short-Circuit Current	$0\text{V} \leq V_O \leq V_{\text{CC}}$	●	-50		50	mA
$I_{\text{OZR}}$	Three-State Output Current	$M0 = M1 = M2 = V_{\text{CC}}$ , $0\text{V} \leq V_O \leq V_{\text{CC}}$			±1		μA

### V.11 Driver

$V_{\text{ODO}}$	Open Circuit Differential Output Voltage	$R_L = 1.95\text{k}$ (Figure 1)	●			±5	V
$V_{\text{ODL}}$	Loaded Differential Output Voltage	$R_L = 50\Omega$ (Figure 1) $R_L = 50\Omega$ (Figure 1)	●	$0.5V_{\text{ODO}}$ ±2		$0.67V_{\text{ODO}}$	V V
$\Delta V_{\text{OD}}$	Change in Magnitude of Differential Output Voltage	$R_L = 50\Omega$ (Figure 1)	●			0.2	V
$V_{\text{OC}}$	Common Mode Output Voltage	$R_L = 50\Omega$ (Figure 1)	●			3	V
$\Delta V_{\text{OC}}$	Change in Magnitude of Common Mode Output Voltage	$R_L = 50\Omega$ (Figure 1)	●			0.2	V
$I_{\text{SS}}$	Short-Circuit Current	$V_{\text{OUT}} = \text{GND}$				±150	mA
$I_{\text{OZ}}$	Output Leakage Current	$ V_A $ and $ V_B  \leq 0.25\text{V}$ , Power Off or No-Cable Mode or Driver Disabled	●		±1	±100	μA
$t_r, t_f$	Rise or Fall Time	(Figures 2, 13)	●	2	15	25	ns
$t_{\text{PLH}}$	Input to Output Rising	(Figures 2, 13)	●	15	40	65	ns
$t_{\text{PHL}}$	Input to Output Falling	(Figures 2, 13)	●	15	40	65	ns
$\Delta t$	Input to Output Difference, $ t_{\text{PLH}} - t_{\text{PHL}} $	(Figures 2, 13)	●	0	3	12	ns
$t_{\text{SKEW}}$	Output to Output Skew	(Figures 2, 13)			3		ns

### V.11 Receiver

$V_{\text{TH}}$	Input Threshold Voltage	$-7\text{V} \leq V_{\text{CM}} \leq 7\text{V}$	●	-0.2		0.2	V
$\Delta V_{\text{TH}}$	Input Hysteresis	$-7\text{V} \leq V_{\text{CM}} \leq 7\text{V}$	●		15	40	mV
$R_{\text{IN}}$	Input Impedance	$-7\text{V} \leq V_{\text{CM}} \leq 7\text{V}$ (Figure 3)	●	100	103		Ω
$t_r, t_f$	Rise or Fall Time	$C_L = 50\text{pF}$ (Figures 4, 14)			15		ns
$t_{\text{PLH}}$	Input to Output Rising	$C_L = 50\text{pF}$ (Figures 4, 14)	●		50	90	ns
$t_{\text{PHL}}$	Input to Output Falling	$C_L = 50\text{pF}$ (Figures 4, 14)	●		50	90	ns
$\Delta t$	Input to Output Difference, $ t_{\text{PLH}} - t_{\text{PHL}} $	$C_L = 50\text{pF}$ (Figures 4, 14)	●	0	4	25	ns

### V.35 Driver

$V_{\text{OD}}$	Differential Output Voltage	Open Circuit, $R_L = 1.95\text{k}$ (Figure 5) With Load, $-4\text{V} \leq V_{\text{CM}} \leq 4\text{V}$ (Figure 6)	●	±0.44	±0.55	±1.2 ±0.66	V V
$V_{\text{OA}}, V_{\text{OB}}$	Single-Ended Output Voltage	Open Circuit, $R_L = 1.95\text{k}$ (Figure 5)	●			±1.2	V
$V_{\text{OC}}$	Transmitter Output Offset	$R_L = 50\Omega$ (Figure 5)	●			±0.6	V

## ELECTRICAL CHARACTERISTICS

The ● denotes specifications which apply over the full operating temperature range, otherwise specifications are at  $T_A = 25^\circ\text{C}$ .  $V_{CC} = 5\text{V}$  (Notes 2, 3)

SYMBOL	PARAMETER	CONDITIONS		MIN	TYP	MAX	UNITS
$I_{OH}$	Transmitter Output High Current	$V_A, V_B = 0\text{V}$	●	-13	-11	-9.0	mA
$I_{OL}$	Transmitter Output Low Current	$V_A, V_B = 0\text{V}$	●	9.0	11	13	mA
$I_{OZ}$	Transmitter Output Leakage Current	$ V_A $ and $ V_B  \leq 0.25\text{V}$	●		$\pm 1$	$\pm 100$	$\mu\text{A}$
$R_{OD}$	Transmitter Differential Mode Impedance		●	50	100	150	$\Omega$
$R_{OC}$	Transmitter Common Mode Impedance	$-2\text{V} \leq V_{CM} \leq 2\text{V}$ (Figure 7)		135	150	165	$\Omega$
$t_r, t_f$	Rise or Fall Time	(Figures 8, 13)			5		ns
$t_{PLH}$	Input to Output	(Figures 8, 13)	●	15	35	65	ns
$t_{PHL}$	Input to Output	(Figures 8, 13)	●	15	35	65	ns
$\Delta t$	Input to Output Difference, $ t_{PLH} - t_{PHL} $	(Figures 8, 13)	●		0	16	ns
$t_{SKEW}$	Output to Output Skew	(Figures 8, 13)			4		ns

### V.35 Receiver

$V_{TH}$	Differential Receiver Input Threshold Voltage	$-2\text{V} \leq V_{CM} \leq 2\text{V}$ (Figure 9)	●	-0.2		0.2	V
$\Delta V_{TH}$	Receiver Input Hysteresis	$-2\text{V} \leq V_{CM} \leq 2\text{V}$ (Figure 9)	●		15	40	mV
$R_{ID}$	Receiver Differential Mode Impedance	$-2\text{V} \leq V_{CM} \leq 2\text{V}$	●	90	103	110	$\Omega$
$R_{IC}$	Receiver Common Mode Impedance	$-2\text{V} \leq V_{CM} \leq 2\text{V}$ (Figure 10)		135	150	165	$\Omega$
$t_r, t_f$	Rise or Fall Time	$C_L = 50\text{pF}$ (Figures 4, 14)			15		ns
$t_{PLH}$	Input to Output	$C_L = 50\text{pF}$ (Figures 4, 14)	●		50	90	ns
$t_{PHL}$	Input to Output	$C_L = 50\text{pF}$ (Figures 4, 14)	●		50	90	ns
$\Delta t$	Input to Output Difference, $ t_{PLH} - t_{PHL} $	$C_L = 50\text{pF}$ (Figures 4, 14)	●	0	4	25	ns

### V.28 Driver

$V_O$	Output Voltage	Open Circuit $R_L = 3\text{k}$ (Figure 11)	● ●	$\pm 5$	$\pm 8.5$	$\pm 10$	V V
$I_{SS}$	Short-Circuit Current	$V_{OUT} = \text{GND}$	●			$\pm 150$	mA
$R_{OZ}$	Power-Off Resistance	$-2\text{V} < V_O < 2\text{V}$ , Power Off or No-Cable Mode	●	300			$\Omega$
SR	Slew Rate	$R_L = 7\text{k}, C_L = 0$ (Figures 11, 15)	●	4		30	V/ $\mu\text{s}$
$t_{PLH}$	Input to Output	$R_L = 3\text{k}, C_L = 2500\text{pF}$ (Figures 11, 15)	●		1.5	2.5	$\mu\text{s}$
$t_{PHL}$	Input to Output	$R_L = 3\text{k}, C_L = 2500\text{pF}$ (Figures 11, 15)	●		1.5	2.5	$\mu\text{s}$

### V.28 Receiver

$V_{THL}$	Input Low Threshold Voltage	(Figure 12)	●		1.2	0.8	V
$V_{TLH}$	Input High Threshold Voltage	(Figure 12)	●	2	1.2		V
$\Delta V_{TH}$	Receiver Input Hysteresis	(Figure 12)	●	0	0.05	0.3	V
$R_{IN}$	Receiver Input Impedance	$-15\text{V} \leq V_A \leq 15\text{V}$	●	3	5	7	k $\Omega$
$t_r, t_f$	Rise or Fall Time	$C_L = 50\text{pF}$ (Figures 12, 16)			15		ns
$t_{PLH}$	Input to Output	$C_L = 50\text{pF}$ (Figures 12, 16)	●		60	300	ns
$t_{PHL}$	Input to Output	$C_L = 50\text{pF}$ (Figures 12, 16)	●		160	300	ns

**Note 1:** Absolute Maximum Ratings are those values beyond which the life of the device may be impaired.

**Note 2:** All currents into device pins are positive; all currents out of device are negative. All voltages are referenced to device ground unless otherwise specified.

**Note 3:** All typicals are given for  $V_{CC} = 5\text{V}$ ,  $C_1 = C_2 = C_{VCC} = C_{VDD} = 1\mu\text{F}$ ,  $C_{VEE} = 3.3\mu\text{F}$  and  $T_A = 25^\circ\text{C}$ .

## PIN FUNCTIONS

**C1<sup>-</sup> (Pin 1):** Capacitor C1 Negative Terminal. Connect a 1 $\mu$ F capacitor between C1<sup>+</sup> and C1<sup>-</sup>.

**C1<sup>+</sup> (Pin 2):** Capacitor C1 Positive Terminal. Connect a 1 $\mu$ F capacitor between C1<sup>+</sup> and C1<sup>-</sup>.

**V<sub>DD</sub> (Pin 3):** Generated Positive Supply Voltage for V.28. Connect a 1 $\mu$ F capacitor to ground.

**V<sub>CC</sub> (Pin 4):** Positive Supply Voltage Input.  $4.75V \leq V_{CC} \leq 5.25V$ . Bypass with a 1 $\mu$ F capacitor to ground.

**D1 (Pin 5):** TTL Level Driver 1 Input.

**D2 (Pin 6):** TTL Level Driver 2 Input.

**D3 (Pin 7):** TTL Level Driver 3 Input.

**R1 (Pin 8):** CMOS Level Receiver 1 Output.

**R2 (Pin 9):** CMOS Level Receiver 2 Output.

**R3 (Pin 10):** CMOS Level Receiver 3 Output.

**M0 (Pin 11):** TTL Level Mode Select Input 0 with Pull-Up to V<sub>CC</sub>. See Table 1.

**M1 (Pin 12):** TTL Level Mode Select Input 1 with Pull-Up to V<sub>CC</sub>. See Table 1.

**M2 (Pin 13):** TTL Level Mode Select Input 2 with Pull-Up to V<sub>CC</sub>. See Table 1.

**DCE/ $\overline{DTE}$  (Pin 14):** TTL Level Mode Select Input with Pull-Up to V<sub>CC</sub>. See Table 1.

**R3 B (Pin 15):** Receiver 3 Noninverting Input.

**R3 A (Pin 16):** Receiver 3 Inverting Input.

**R2 B (Pin 17):** Receiver 2 Noninverting Input.

**R2 A (Pin 18):** Receiver 2 Inverting Input.

**D3/R1 B (Pin 19):** Receiver 1 Noninverting Input and Driver 3 Noninverting Output.

**D3/R1 A (Pin 20):** Receiver 1 Inverting Input and Driver 3 Inverting Output.

**D2 B (Pin 21):** Driver 2 Noninverting Output.

**D2 A (Pin 22):** Driver 2 Inverting Output.

**D1 B (Pin 23):** Driver 1 Noninverting Output.

**D1 A (Pin 24):** Driver 1 Inverting Output.

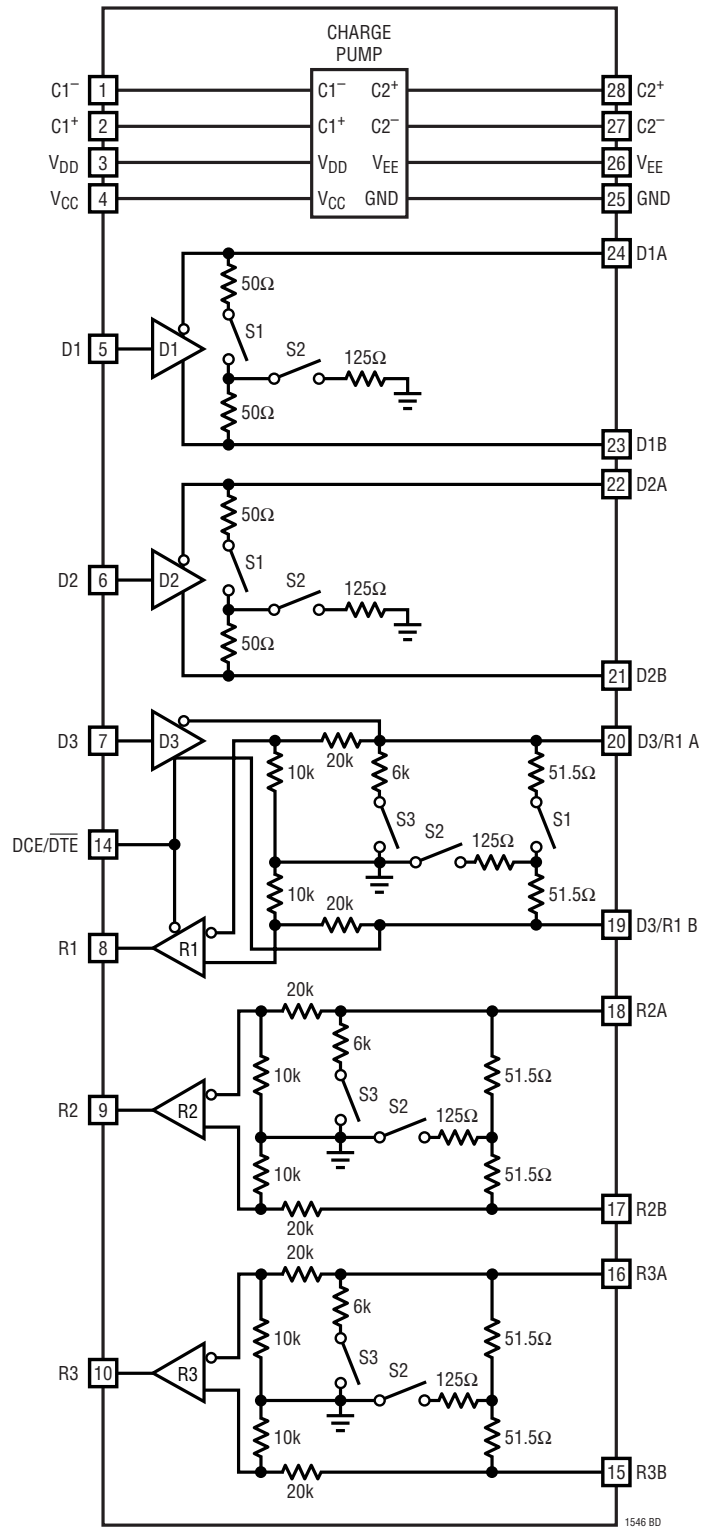
**GND (Pin 25):** Ground.

**V<sub>EE</sub> (Pin 26):** Negative Supply Voltage. Connect a 3.3 $\mu$ F capacitor to GND.

**C2<sup>-</sup> (Pin 27):** Capacitor C2 Negative Terminal. Connect a 1 $\mu$ F capacitor between C2<sup>+</sup> and C2<sup>-</sup>.

**C2<sup>+</sup> (Pin 28):** Capacitor C2 Positive Terminal. Connect a 1 $\mu$ F capacitor between C2<sup>+</sup> and C2<sup>-</sup>.

**BLOCK DIAGRAM**



# TEST CIRCUITS

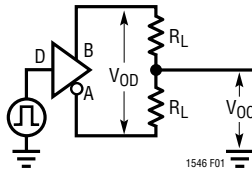


Figure 1. V.11 Driver DC Test Circuit

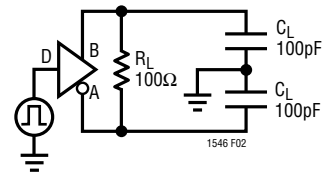


Figure 2. V.11 Driver AC Test Circuit

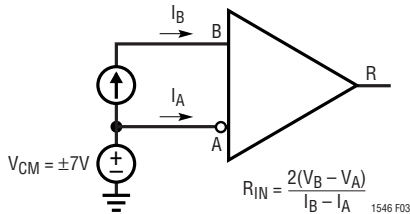


Figure 3. Input Impedance Test Circuit

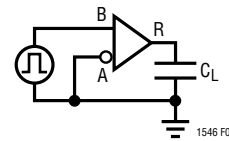


Figure 4. V.11, V.35 Receiver AC Test Circuit

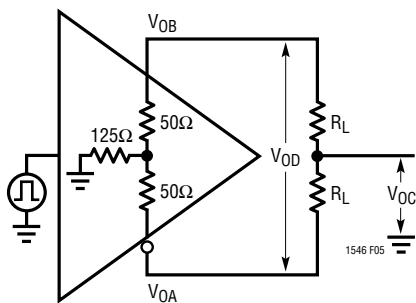


Figure 5. V.35 Driver Open-Circuit Test

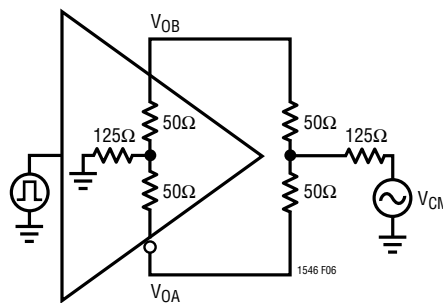


Figure 6. V.35 Driver Test Circuit

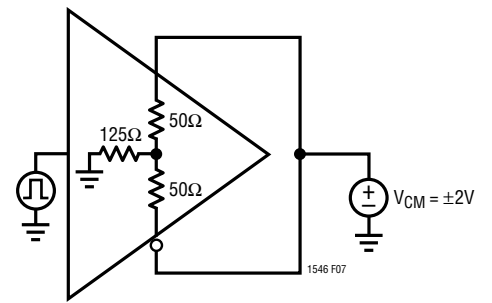


Figure 7. V.35 Driver Common Mode Impedance Test Circuit

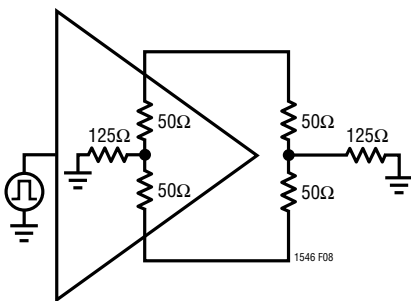


Figure 8. V.35 Driver AC Test Circuit

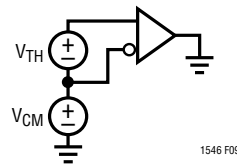


Figure 9. V.35 Receiver DC Test Circuit

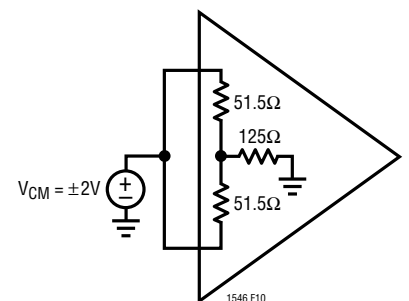


Figure 10. Receiver Common Mode Impedance Test Circuit

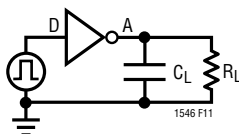


Figure 11. V.28 Driver Test Circuit

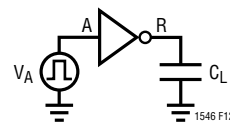


Figure 12. V.28 Receiver Test Circuit

## MODE SELECTION

Table 1

LTC1546 MODE NAME	M2	M1	M0	DCE/DTE	D1	D2	D3	R1	R2	R3
Not Used (Default V.11)	0	0	0	0	V.11	V.11	Z	V.11	V.11	V.11
RS530A	0	0	1	0	V.11	V.11	Z	V.11	V.11	V.11
RS530	0	1	0	0	V.11	V.11	Z	V.11	V.11	V.11
X.21	0	1	1	0	V.11	V.11	Z	V.11	V.11	V.11
V.35	1	0	0	0	V.35	V.35	Z	V.35	V.35	V.35
RS449/V.36	1	0	1	0	V.11	V.11	Z	V.11	V.11	V.11
V.28/RS232	1	1	0	0	V.28	V.28	Z	V.28	V.28	V.28
No Cable	1	1	1	0	Z	Z	Z	Z	Z	Z
Not Used (Default V.11)	0	0	0	1	V.11	V.11	V.11	Z	V.11	V.11
RS530A	0	0	1	1	V.11	V.11	V.11	Z	V.11	V.11
RS530	0	1	0	1	V.11	V.11	V.11	Z	V.11	V.11
X.21	0	1	1	1	V.11	V.11	V.11	Z	V.11	V.11
V.35	1	0	0	1	V.35	V.35	V.35	Z	V.35	V.35
RS449/V.36	1	0	1	1	V.11	V.11	V.11	Z	V.11	V.11
V.28/RS232	1	1	0	1	V.28	V.28	V.28	Z	V.28	V.28
No Cable	1	1	1	1	Z	Z	Z	Z	Z	Z

## SWITCHING TIME WAVEFORMS

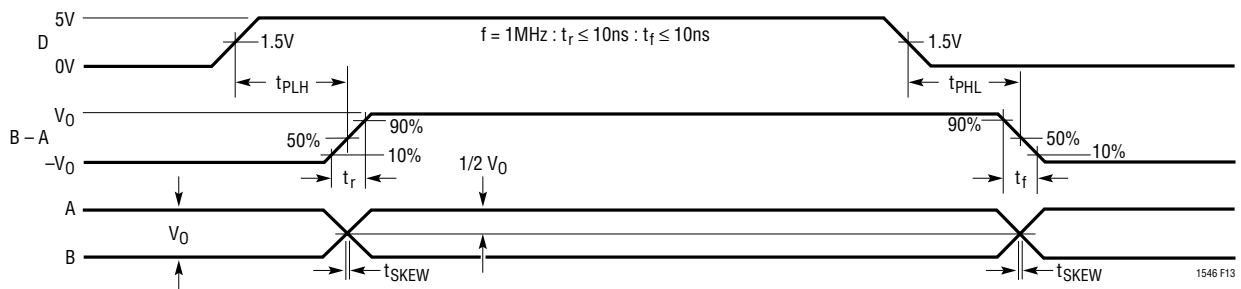


Figure 13. V.11, V.35 Driver Propagation Delays

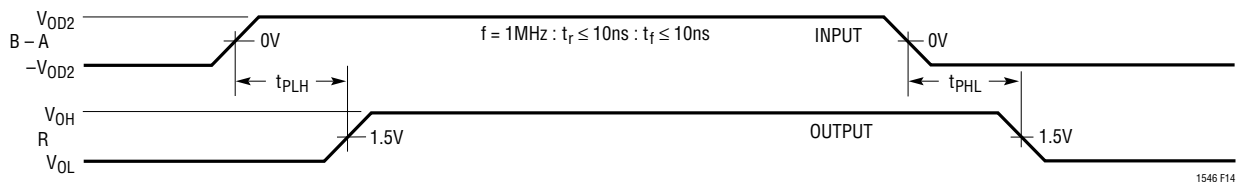


Figure 14. V.11, V.35 Receiver Propagation Delays



## SWITCHING TIME WAVEFORMS



Figure 15. V.28 Driver Propagation Delays

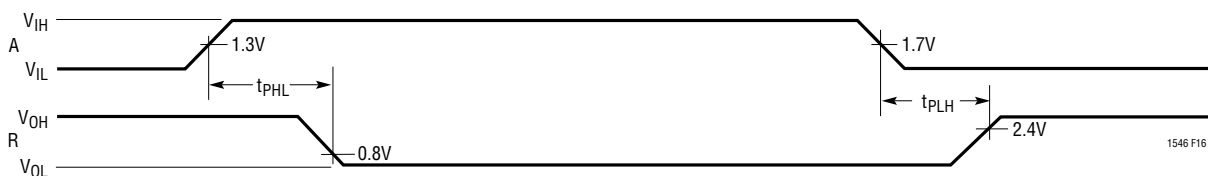


Figure 16. V.28 Receiver Propagation Delays

## APPLICATIONS INFORMATION

### Overview

The LTC1546 and LTC1544 form a complete software-selectable DTE or DCE interface port that supports the RS232, RS449, EIA530, EIA530-A, V.35, V.36 and X.21 protocols. Cable termination is provided on-chip, eliminating the need for discrete termination designs.

A complete DCE-to-DTE interface operating in EIA530 mode is shown in Figure 17. The LTC1546 half of each port is used to generate and appropriately terminate the clock and data signals. The LTC1544 is used to generate the control signals along with LL (Local Loopback).

### Mode Selection

The interface protocol is selected using the mode select pins M0, M1 and M2 (see Table 1).

For example, if the port is configured as a V.35 interface, the mode selection pins should be M2 = 1, M1 = 0, M0 = 0. For the control signals, the drivers and receivers will operate in V.28 (RS232) electrical mode. For the clock and data signals, the drivers and receivers will operate in V.35

electrical mode. The DCE/ $\overline{\text{DTE}}$  pin will configure the port for DCE mode when high, and DTE when low.

The interface protocol may be selected simply by plugging the appropriate interface cable into the connector. The mode pins are routed to the connector and are left unconnected (1) or wired to ground (0) in the cable as shown in Figure 18. The internal pull-up current sources will ensure a binary 1 when a pin is left unconnected.

The mode selection may also be accomplished by using jumpers to connect the mode pins to ground or  $V_{CC}$ .

When the cable is removed, leaving all mode pins unconnected, the LTC1546/LTC1544 will enter no-cable mode. In this mode the LTC1546/LTC1544 supply current drops to less than 500 $\mu\text{A}$  and the LTC1546/LTC1544 driver outputs are forced into a high impedance state. At the same time, the R2 and R3 receivers of the LTC1546 are differentially terminated with 103 $\Omega$  and the other receivers on the LTC1546 and LTC1544 are terminated with 30k $\Omega$  to ground.

## APPLICATIONS INFORMATION

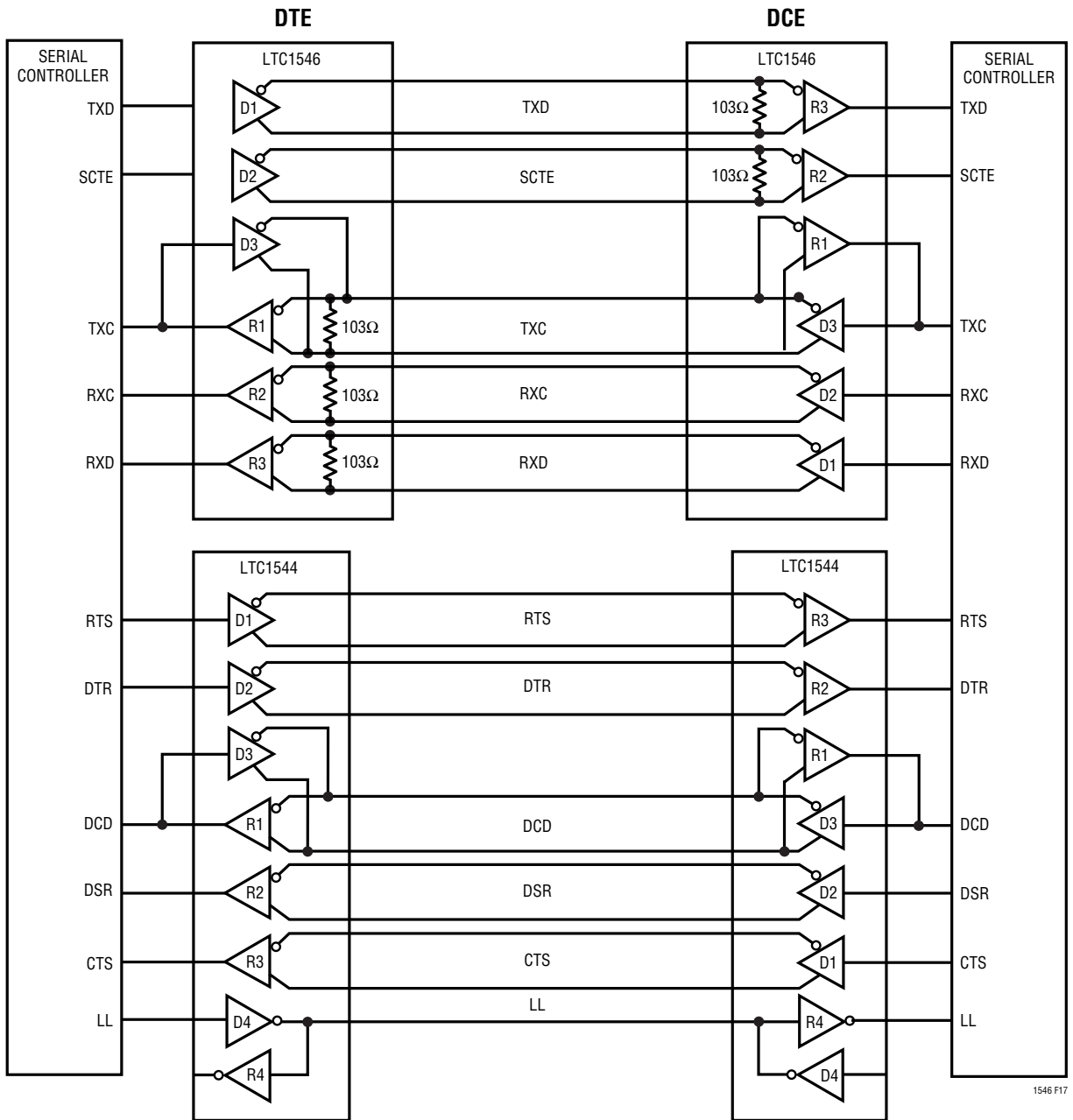


Figure 17. Complete Multiprotocol Interface in EIA530 Mode

## Cable Termination

Traditional implementations used expensive relays to switch resistors or required the user to change termination modules every time a new interface standard was selected. Switching the terminations with FETs is difficult because the FETs must remain off when the signal voltage is beyond the supply voltage. Alternatively, custom cables

may contain termination in the cable head or route signals to various terminations on the board.

The LTC1546/LTC1544 chipset solves the cable termination switching problem by automatically providing the appropriate termination and switching on-chip for the V.10 (RS423), V.11 (RS422), V.28 (RS232) and V.35 electrical protocols.

## APPLICATIONS INFORMATION

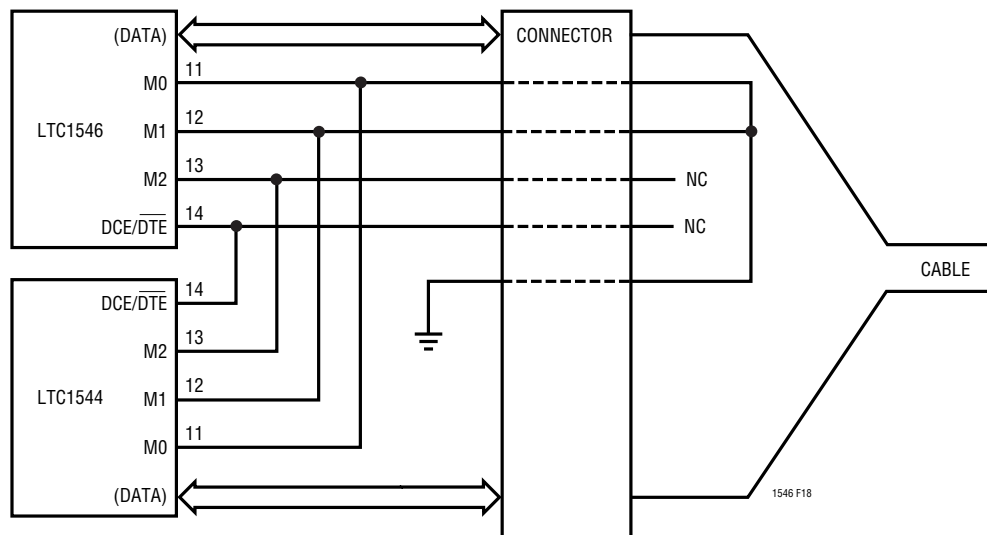


Figure 18: Single Port DCE V.35 Mode Selection in the Cable

### V.10 (RS423) Interface

All V.10 drivers and receivers necessary for the RS449, EIA530, EIA530-A, V.36 and X.21 protocols are implemented on the LTC1544.

A typical V.10 unbalanced interface is shown in Figure 19. A V.10 single-ended generator with output A and ground C is connected to a differential receiver with input A' connected to A, and ground C' connected via the signal return to ground C. Usually, no cable termination is required for V.10 interfaces, but the receiver inputs must be compliant with the impedance curve shown in Figure 20.

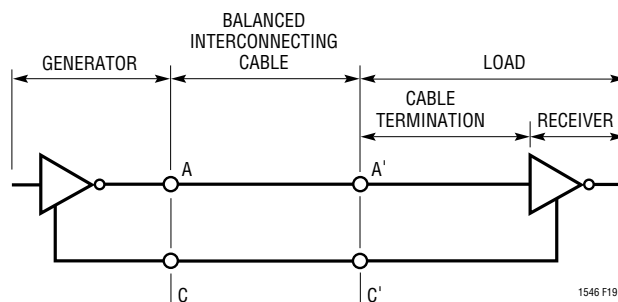


Figure 19. Typical V.10 Interface

The V.10 receiver configuration in the LTC1544 is shown in Figure 21. In V.10 mode, switch S3 inside the LTC1544 is turned off. The noninverting input is disconnected inside the LTC1544 receiver and connected to ground. The cable termination is then the 30k input impedance to ground of the LTC1544 V.10 receiver.

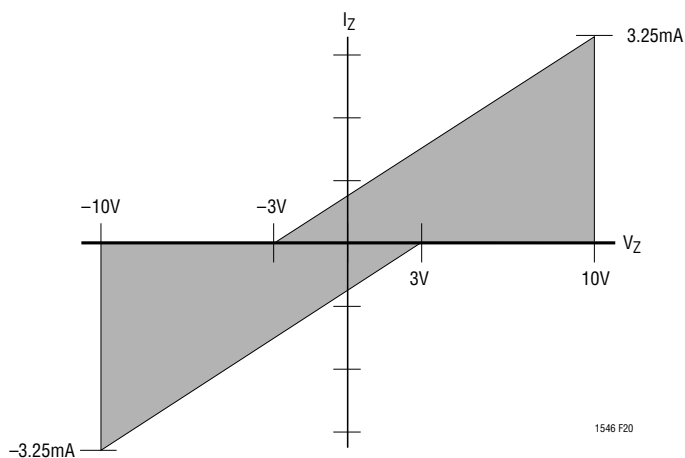


Figure 20. V.10 Receiver Input Impedance

APPLICATIONS INFORMATION

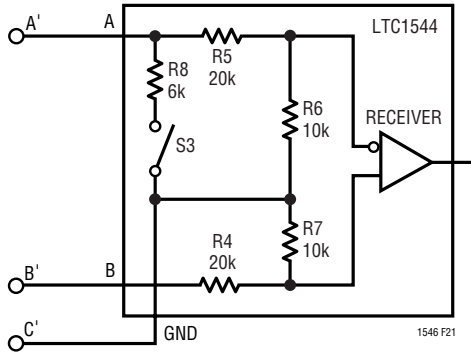


Figure 21. V.10 Receiver Configuration

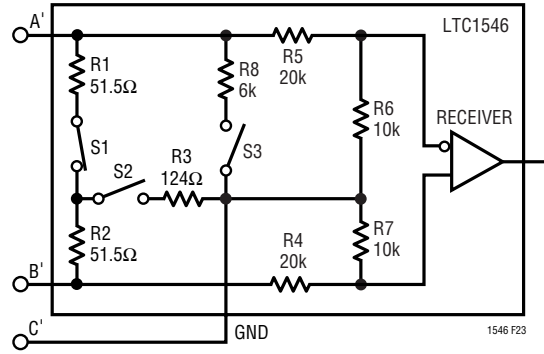


Figure 23. V.11 Receiver Configuration

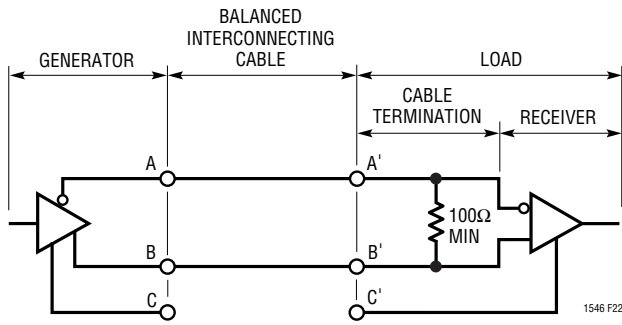


Figure 22. Typical V.11 Interface

interface has a differential termination at the receiver end that has a minimum value of 100Ω. The termination resistor is optional in the V.11 specification, but for the high speed clock and data lines, the termination is essential to prevent reflections from corrupting the data. The receiver inputs must also be compliant with the impedance curve shown in Figure 20.

In V.11 mode, all switches are off except S1 of the LTC1546's receivers which connects a 103Ω differential termination impedance to the cable as shown in Figure 23<sup>1</sup>. The LTC1544 only handles control signals, so no termination other than its V.11 receivers' 30k input impedance is necessary.

V.28 (RS232) Interface

A typical V.28 unbalanced interface is shown in Figure 24. A V.28 single-ended generator with output A and ground C is connected to a single-ended receiver with input A'

<sup>1</sup>Actually, there is no switch S1 in receivers R2 and R3. However, for simplicity, all termination networks on the LTC1546 can be treated identically if it is assumed that an S1 switch exists and is always closed on the R2 and R3 receivers.

connected to A and ground C' connected via the signal return to ground C.

In V.28 mode, S3 is closed inside the LTC1546/LTC1544 which connects a 6k (R8) impedance to ground in parallel with 20k (R5) plus 10k (R6) for a combined impedance of 5k as shown in Figure 25. Proper termination is only provided when the B input of the receivers is floating, since S1 of the LTC1546's R2 and R3 receivers remains on in V.28 mode<sup>1</sup>. The noninverting input is disconnected inside the LTC1546/LTC1544 receiver and connected to a TTL level reference voltage to give a 1.4V receiver trip point.

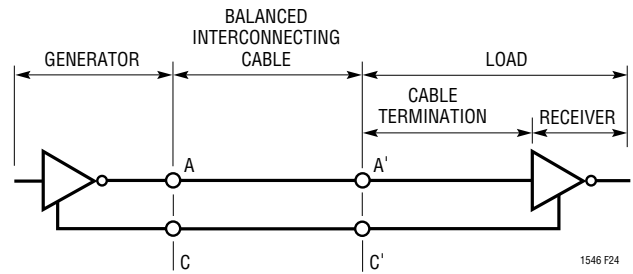


Figure 24. Typical V.28 Interface

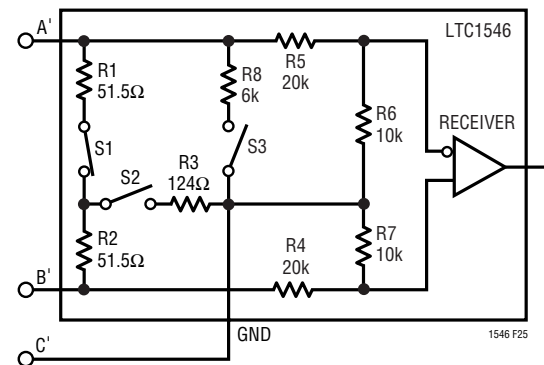


Figure 25. V.28 Receiver Configuration

## APPLICATIONS INFORMATION

### V.35 Interface

A typical V.35 balanced interface is shown in Figure 26. A V.35 differential generator with outputs A and B and ground C is connected to a differential receiver with input A' connected to A, input B' connected to B, and ground C' connected via the signal return to ground C. The V.35 interface requires a T or delta network termination at the receiver end and the generator end. The receiver differential impedance measured at the connector must be  $100\Omega \pm 10\Omega$ , and the impedance between shorted terminals (A' and B') and ground (C') must be  $150\Omega \pm 15\Omega$ .

In V.35 mode, both switches S1 and S2 inside the LTC1546 are on, connecting a T network impedance as shown in Figure 27. The 30k input impedance of the receiver is placed in parallel with the T network termination, but does not affect the overall input impedance significantly.

The generator differential impedance must be  $50\Omega$  to  $150\Omega$  and the impedance between shorted terminals (A and B) and ground (C) must be  $150\Omega \pm 15\Omega$ .

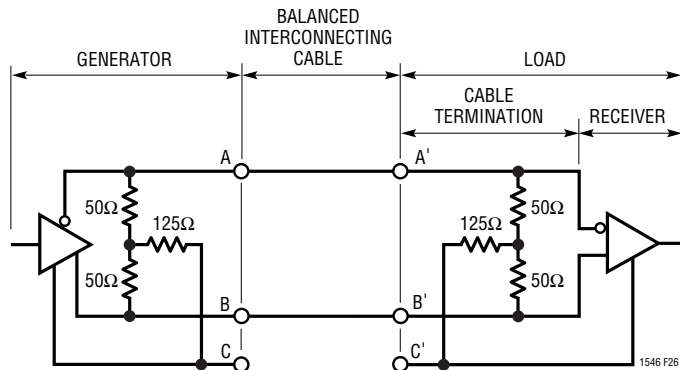


Figure 26. Typical V.35 Interface

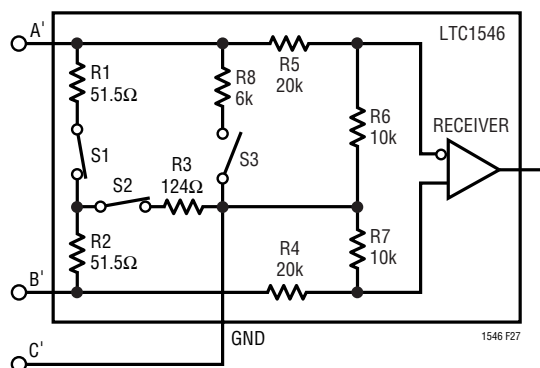


Figure 27. V.35 Receiver Configuration

### No-Cable Mode

The no-cable mode ( $M0 = M1 = M2 = 1$ ) is intended for the case when the cable is disconnected from the connector. The charge pump, bias circuitry, drivers and receivers are turned off, the driver outputs are forced into a high impedance state, and the supply current drops to less than  $200\mu\text{A}$ . Note that the LTC1546's R2 and R3 receivers continue to be terminated by a  $103\Omega$  differential impedance.

### Charge Pump

The LTC1546 uses an internal capacitive charge pump to generate  $V_{DD}$  and  $V_{EE}$  as shown in Figure 28. A voltage doubler generates about 8V on  $V_{DD}$  and a voltage inverter generates about  $-7.5\text{V}$  on  $V_{EE}$ . Four  $1\mu\text{F}$  surface mounted tantalum or ceramic capacitors are required for C1, C2, C3 and C4. The  $V_{EE}$  capacitor C5 should be a minimum of  $3.3\mu\text{F}$ . All capacitors are 16V and should be placed as close as possible to the LTC1546 to reduce EMI.

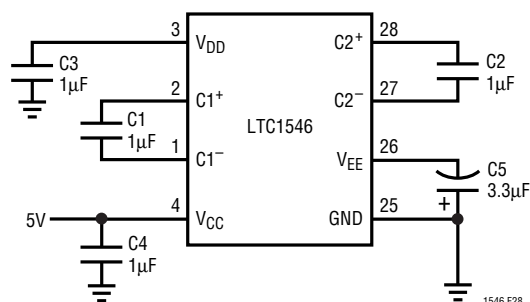


Figure 28. Charge Pump

### Receiver Fail-Safe

All LTC1546/LTC1544 receivers feature fail-safe operation in all modes. If the receiver inputs are left floating or are shorted together by a termination resistor, the receiver output will always be forced to a logic high.

### DTE vs DCE Operation

The DCE/DTE pin acts as an enable for Driver 3/Receiver 1 in the LTC1546, and Driver 3/Receiver 1 and Driver 4/Receiver 4 in the LTC1544. The INVERT pin in the LTC1544 allows the Driver 4/Receiver 4 enable to be high or low true polarity.

## APPLICATIONS INFORMATION

The LTC1546/LTC1544 can be configured for either DTE or DCE operation in one of two ways: a dedicated DTE or DCE port with a connector of appropriate gender or a port with one connector that can be configured for DTE or DCE operation by rerouting the signals to the LTC1546/LTC1544 using a dedicated DTE cable or dedicated DCE cable.

A dedicated DTE port using a DB-25 male connector is shown in Figure 29. The interface mode is selected by logic outputs from the controller or from jumpers to either  $V_{CC}$  or GND on the mode select pins. A dedicated DCE port using a DB-25 female connector is shown in Figure 30.

A port with one DB-25 connector, that can be configured for either DTE or DCE operation is shown in Figure 31. The configuration requires separate cables for proper signal routing in DTE or DCE operation. For example, in DTE mode, the TXD signal is routed to Pins 2 and 14 via the LTC1546's Driver 1. In DCE mode, Driver 1 now routes the RXD signal to Pins 2 and 14.

### Multiprotocol Interface with RL, LL, TM and a DB-25 Connector

If the RL, LL and TM signals are implemented, there are not enough drivers and receivers available in the LTC1546/LTC1544. In Figure 32, the required control signals are handled by the LTC1545. The LTC1545 has an additional single-ended driver/receiver pair that can handle two more optional control signals such as TM and RL.

### Cable-Selectable Multiprotocol Interface

A cable-selectable multiprotocol DTE/DCE interface is shown in Figure 33. The select lines M0, M1 and DCE/ $\overline{DTE}$  are brought out to the connector. The mode is selected by the cable by wiring M0 (connector Pin 18) and M1 (connector Pin 21) and DCE/ $\overline{DTE}$  (connector Pin 25) to ground (connector Pin 7) or letting them float. If M0, M1 or DCE/ $\overline{DTE}$  is floating, internal pull-up current sources will pull the signals to  $V_{CC}$ . The select bit M2 is hard wired to  $V_{CC}$ . When the cable is pulled out, the interface will go into the no-cable mode.

### Compliance Testing

The LTC1546/LTC1544 chipset has been tested by TUV Telecom Services Inc. and passed the NET1, NET2 and TBR2 requirements. Copies of the test reports are available from LTC or TUV Telecom Services.

The titles of the reports are:

NET1 and NET2: Test Report No. NET2/091301/99.

TBR2: Test Report No. CRT2/091301/99.

The address of TUV Telecom Services Inc. is:

TUV Telecom Services Inc.  
Type Approval Division  
1775 Old Highway 8, Ste 107  
St. Paul, MN 55112 USA  
TEL: +1 (612) 639-0775  
FAX: +1 (612) 639-0873

TYPICAL APPLICATIONS

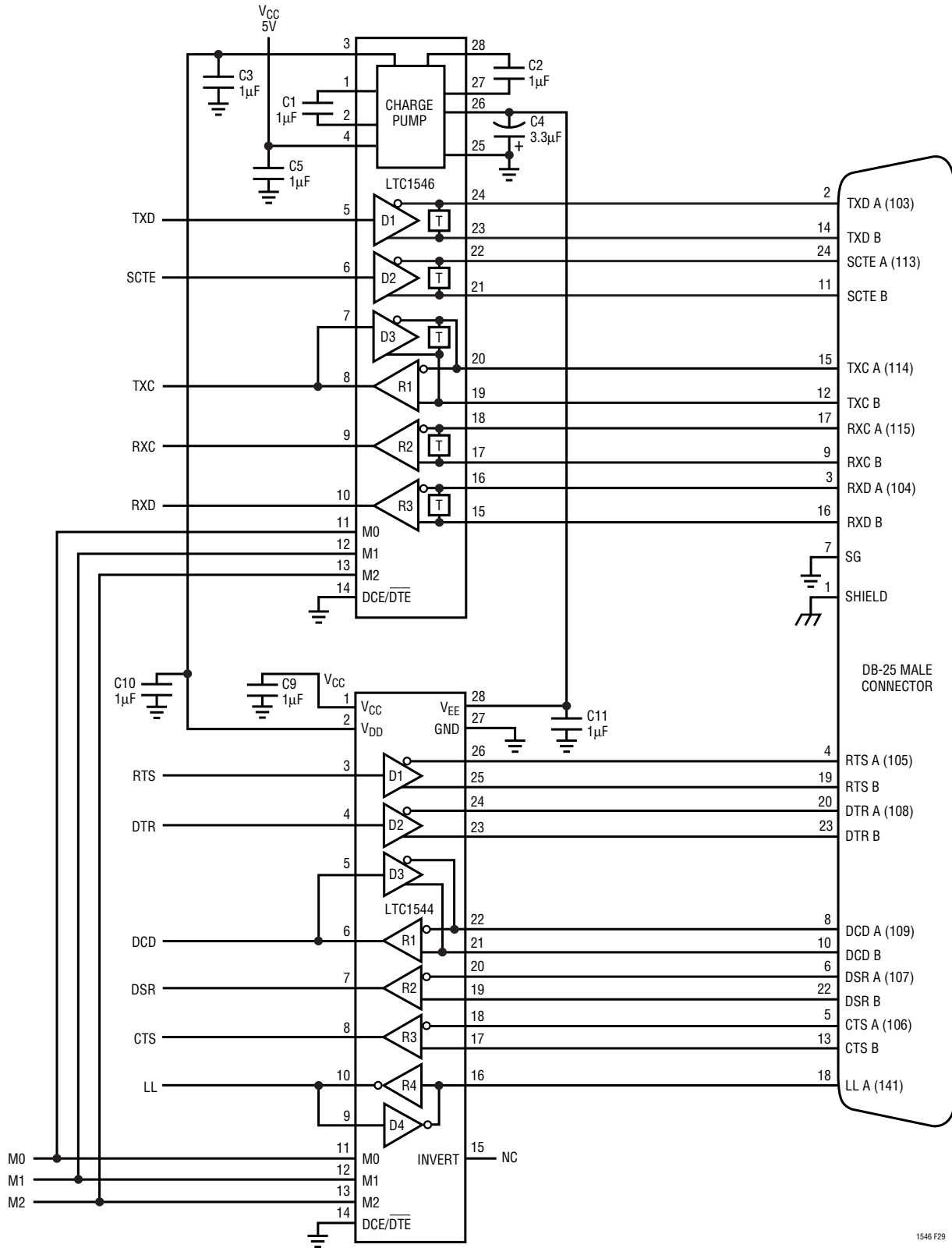


Figure 29. Controller-Selectable Multiprotocol DTE Port with DB-25 Connector

TYPICAL APPLICATIONS

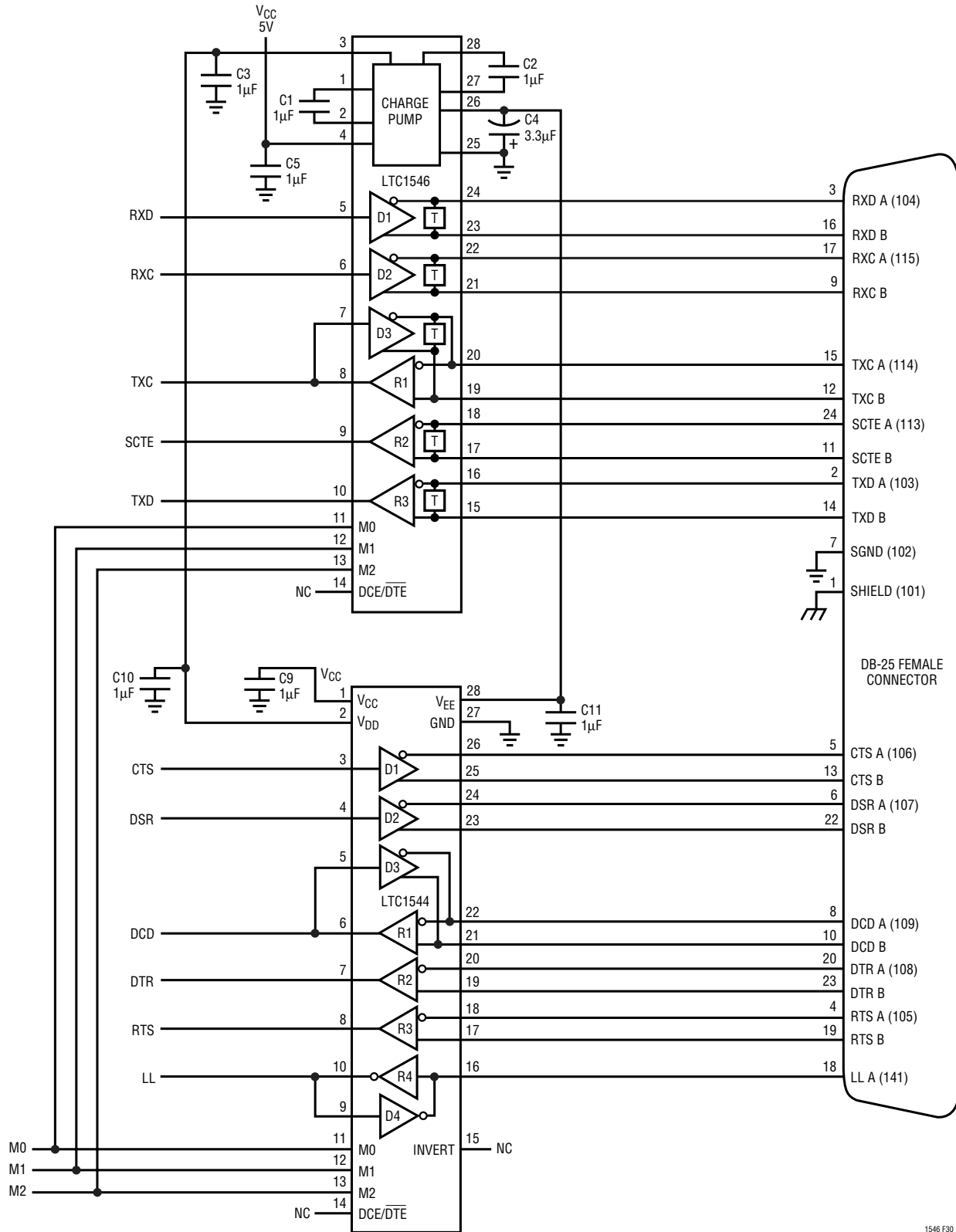


Figure 30. Controller-Selectable DCE Port with DB-25 Connector



TYPICAL APPLICATIONS

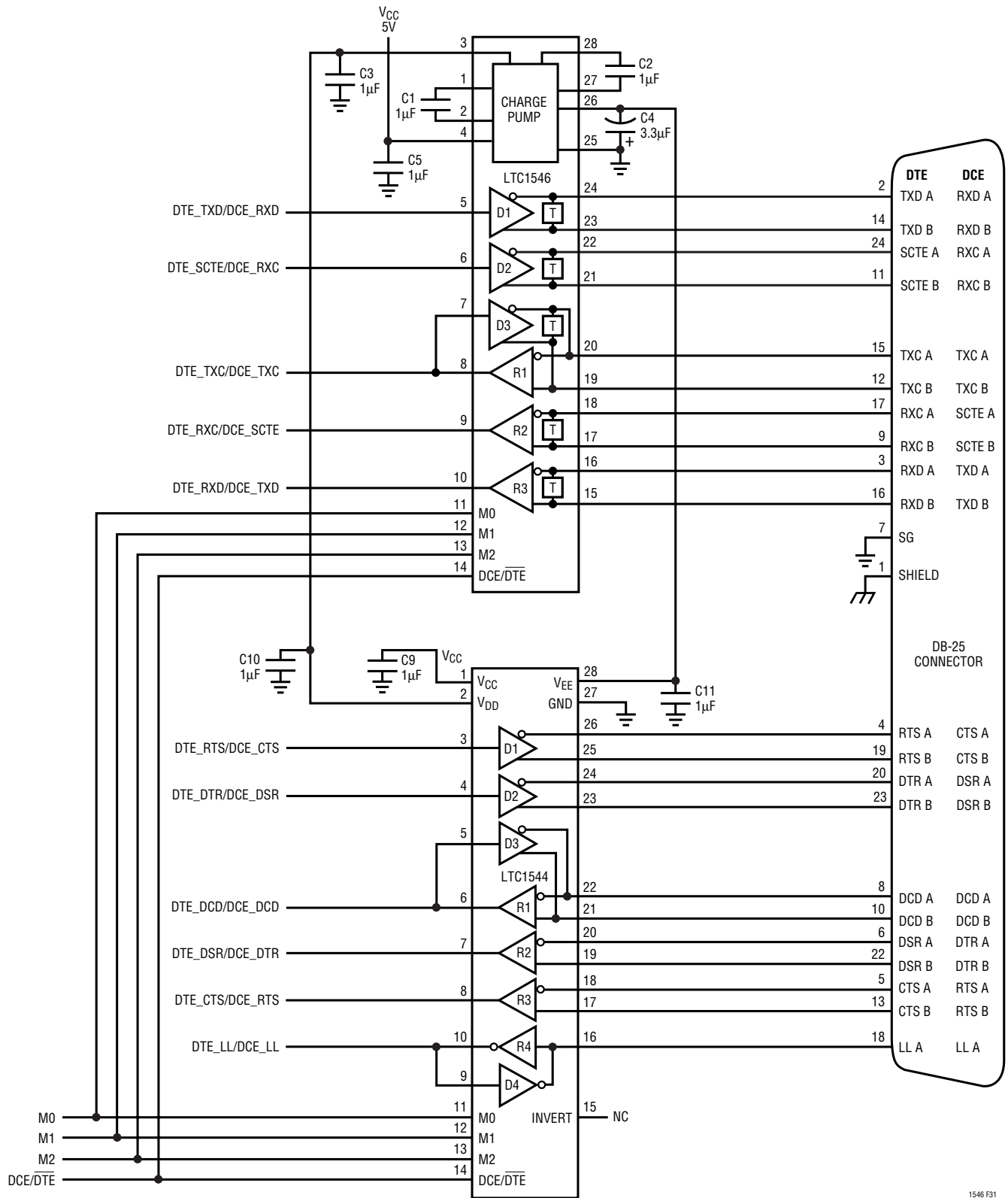


Figure 31. Controller-Selectable Multiprotocol DTE/DCE Port with DB-25 Connector

TYPICAL APPLICATIONS

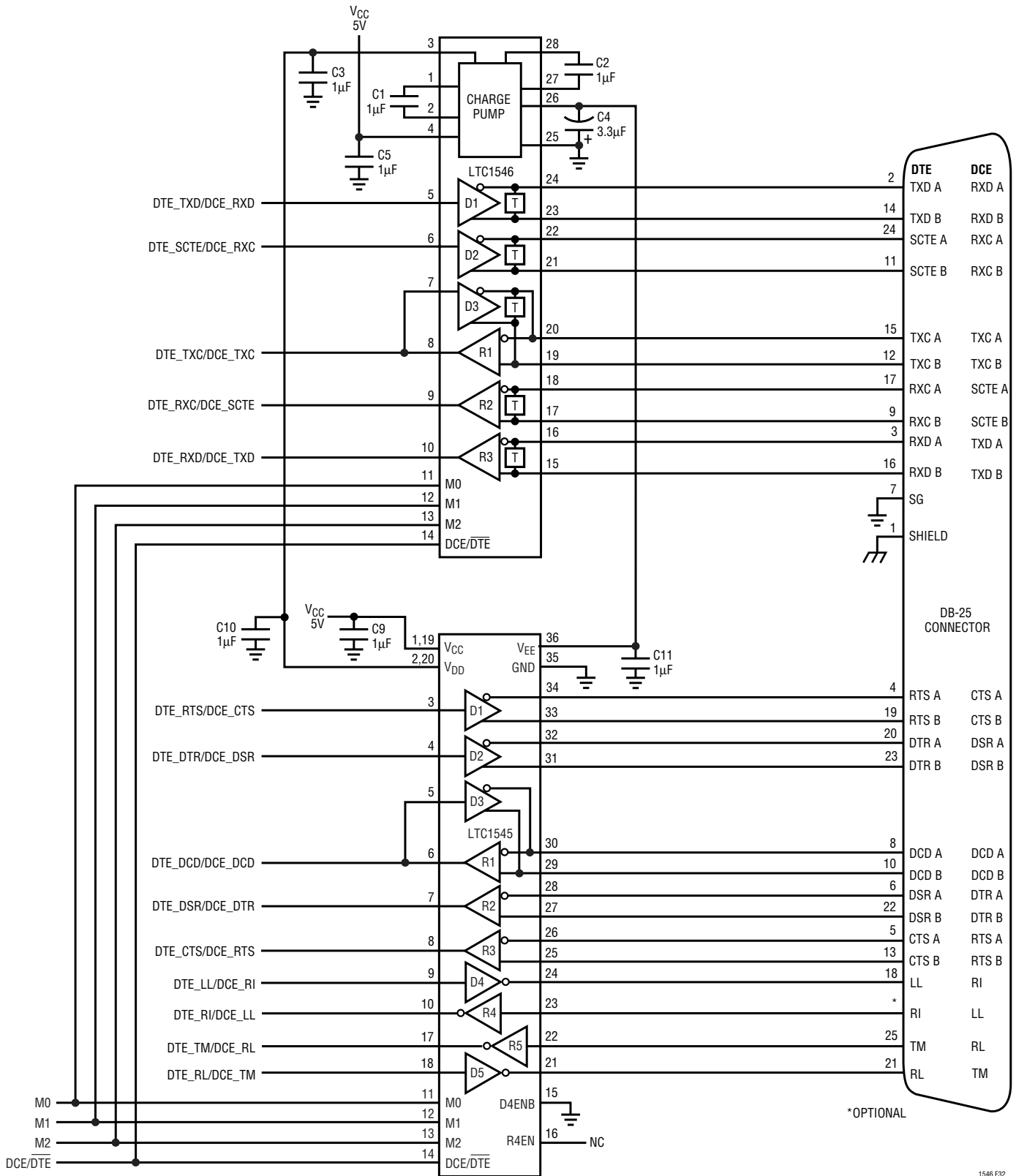


Figure 32. Controller-Selectable Multiprotocol DTE/DCE Port with RL, LL, TM and DB-25 Connector

TYPICAL APPLICATIONS

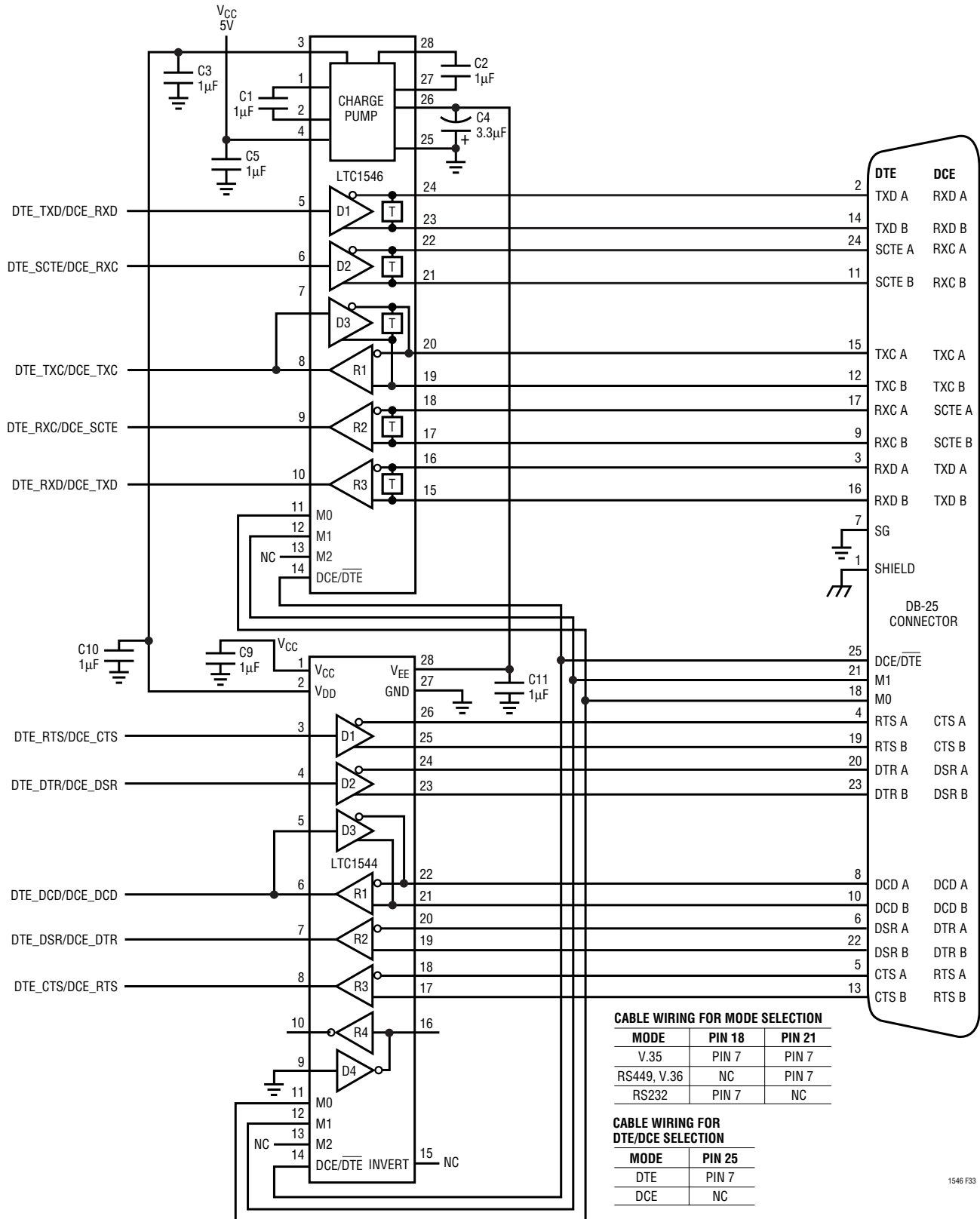
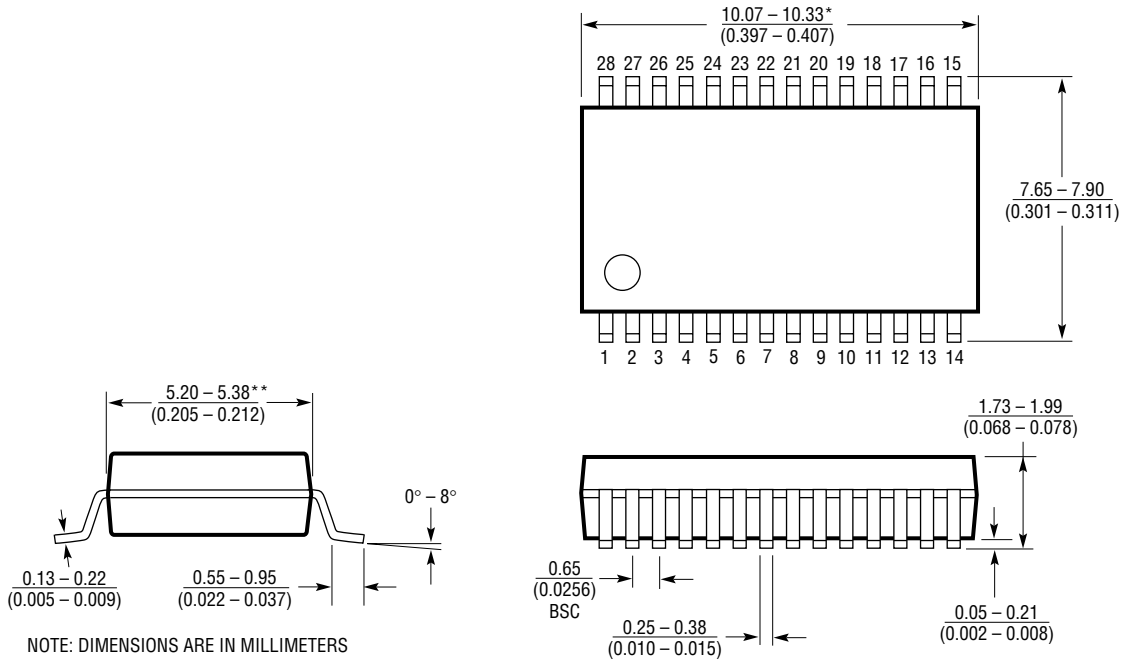


Figure 33. Cable-Selectable Multiprotocol DTE/DCE Port with DB-25 Connector

**PACKAGE DESCRIPTION**

Dimensions in inches (millimeters) unless otherwise noted.

**G Package**  
**28-Lead Plastic SSOP (0.209)**  
 (LTC DWG # 05-08-1640)



NOTE: DIMENSIONS ARE IN MILLIMETERS  
 \*DIMENSIONS DO NOT INCLUDE MOLD FLASH. MOLD FLASH SHALL NOT EXCEED 0.152mm (0.006") PER SIDE  
 \*\*DIMENSIONS DO NOT INCLUDE INTERLEAD FLASH. INTERLEAD FLASH SHALL NOT EXCEED 0.254mm (0.010") PER SIDE

G28 SSOP 1098

**RELATED PARTS**

PART NUMBER	DESCRIPTION	COMMENTS
LTC1321	Dual RS232/RS485 Transceiver	Two RS232 Driver/Receiver Pairs or Two RS485 Driver/Receiver Pairs
LTC1334	Single 5V RS232/RS485 Multiprotocol Transceiver	Two RS232 Driver/Receiver or Four RS232 Driver/Receiver Pairs
LTC1343	Software-Selectable Multiprotocol Transceiver	4-Driver/4-Receiver for Data and Clock Signals
LTC1344A	Software-Selectable Cable Terminator	Perfect for Terminating the LTC1543 (Not Needed with LTC1546)
LTC1345	Single Supply V.35 Transceiver	3-Driver/3-Receiver for Data and Clock Signals
LTC1346A	Dual Supply V.35 Transceiver	3-Driver/3-Receiver for Data and Clock Signals
LTC1543	Software-Selectable Multiprotocol Transceiver	Terminated with LTC1344A for Data and Clock Signals, Companion to LTC1544 or LTC1545 for Control Signals
LTC1544	Software-Selectable Multiprotocol Transceiver	Companion to LTC1546 or LTC1543 for Control Signals Including LL
LTC1545	Software-Selectable Multiprotocol Transceiver	5-Driver/5-Receiver Companion to LTC1546 or LTC1543 for Control Signals Including LL, TM and RL