

# High Efficiency Step-Down and Inverting DC/DC Converter

## FEATURES

- **High Efficiency: Up to 94%**
- Peak Inductor Current Independent of Inductor Value
- Short-Circuit Protection
- Optimized for 5V to -5V Applications
- Wide  $V_{IN}$  Range: 4V to 18.5V
- Low Dropout Operation
- Low-Battery Detector
- Pin Selectable Current Limit
- Internal  $0.9\Omega$  Power Switch:  $V_{IN} = 9V$
- Only Four External Components Required
- $130\mu A$  Standby Current
- Active Low Micropower Shutdown

## APPLICATIONS

- Distributed Power Systems
- Step-Down Converters
- Inverting Converters
- Memory Backup Supply
- Portable Instruments
- Battery-Powered Equipment


## DESCRIPTION

The LTC<sup>®</sup>1174 is a simple current mode DC/DC converter ideally suited for 9V to 5V, 5V to 3.3V, or 5V to -5V operation. With an internal  $0.9\Omega$  switch (at a supply voltage of 9V), the LTC1174 requires only four external components to construct a complete high efficiency DC/DC converter.

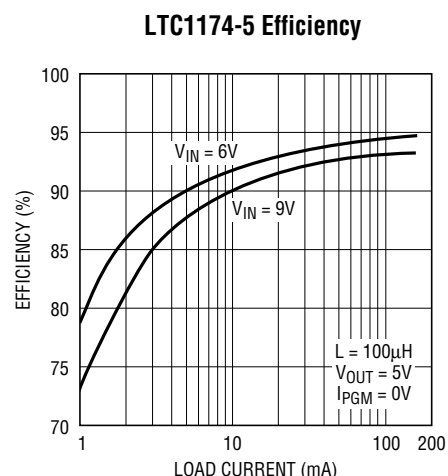
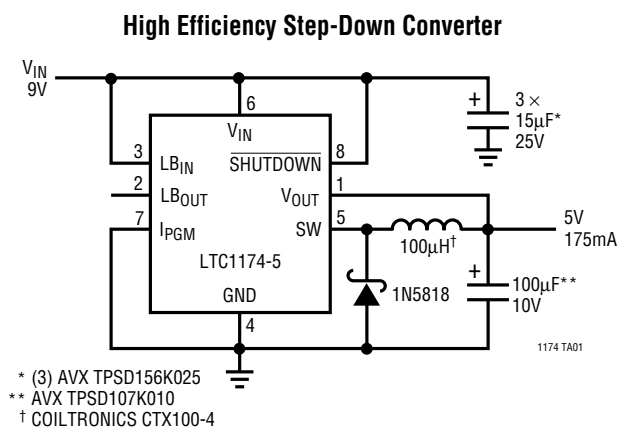
Under a no load condition the LTC1174 draws only  $130\mu A$ . In shutdown, it draws a mere  $1\mu A$  making this converter ideal for current sensitive applications. In dropout, the internal P-channel MOSFET switch is turned on continuously allowing the user to maximize the life of the battery source.

The maximum inductor current of the LTC1174 family is pin selectable to either 340mA or 600mA, optimizing efficiency for a wide range of applications. Operation up to 200kHz permits the use of small surface mount inductors and capacitors.

For applications requiring higher output current or ultra-high efficiency, see the LTC1148 data sheet.

 and LTC are registered trademarks and LT is a trademark of Linear Technology Corporation.

## TYPICAL APPLICATION



# LTC1174

## LTC1174-3.3/LTC1174-5

### ABSOLUTE MAXIMUM RATINGS

(Voltage Referred to GND Pin)

Input Supply Voltage (Pin 6)

LTC1174 ..... -0.3V to 13.5V

LTC1174HV ..... -0.3V to 18.5V

Switch Current (Pin 5) ..... 1A

Switch Voltage (Pin 5)

LTC1174 .....  $V_{IN} - 13.5V$

LTC1174HV .....  $V_{IN} - 18.5V$

Operating Temperature Range ..... 0°C to 70°C

Extended Commercial

Temperature Range ..... -40°C to 85°C

Junction Temperature (Note 1) ..... 125°C

Storage Temperature Range ..... -65°C to 150°C

Lead Temperature (Soldering, 10 sec) ..... 300°C

### PACKAGE/ORDER INFORMATION

|   | ORDER PART NUMBER  |  | ORDER PART NUMBER  |
|---|--|--|--|
| <p>N8 PACKAGE<br/>8-LEAD PLASTIC DIP</p> <p>* ADJUSTABLE OUTPUT VERSION</p> <p><math>T_{JMAX} = 125^{\circ}C, \theta_{JA} = 110^{\circ}C/W</math></p> | LTC1174CN8<br>LTC1174CN8-3.3<br>LTC1174CN8-5<br>LTC1174HVCN8<br>LTC1174HVCN8-3.3<br>LTC1174HVCN8-5<br>LTC1174IN8 | <p>S8 PACKAGE<br/>8-LEAD PLASTIC SOIC</p> <p>* ADJUSTABLE OUTPUT VERSION</p> <p><math>T_{JMAX} = 125^{\circ}C, \theta_{JA} = 150^{\circ}C/W</math></p> | LTC1174CS8<br>LTC1174CS8-3.3<br>LTC1174CS8-5<br>LTC1174IS8<br>LTC1174HVCS8<br>LTC1174HVCS8-3.3<br>LTC1174HVCS8-5 |
|   |  |  | S8 PART MARKING  |
|   |  |  | 1174    1174HV<br>117433    1174H3<br>117450    1174H5<br>1174I  |

Consult factory for Military grade parts.

### ELECTRICAL CHARACTERISTICS $T_A = 25^{\circ}C, V_{IN} = 9V, V_{SHUTDOWN} = V_{IN}, I_{PGM} = 0V$ , unless otherwise noted.

| SYMBOL           | PARAMETER  | CONDITIONS   | MIN | TYP  | MAX  | UNITS   |    |
|------------------|--|--|-----|------|------|---------|----|
| $I_{FB}$         | Feedback Current   | LTC1174/LTC1174HV  |     |      | 1    | $\mu A$ |    |
| $V_{FB}$         | Feedback Voltage   | LTC1174/LTC1174HV  | ●   | 1.20 | 1.25 | 1.30    | V  |
| $V_{OUT}$        | Regulated Output Voltage   | LTC1174-3.3/LTC1174HV-3.3  | ●   | 3.14 | 3.30 | 3.46    | V  |
|                  |  | LTC1174-5/LTC1174HV-5  | ●   | 4.75 | 5.00 | 5.25    | V  |
| $\Delta V_{OUT}$ | Output Voltage Line Regulation   | $V_{IN} = 6V$ to 12V, $I_{LOAD} = 100mA, I_{PGM} = V_{IN}$ (Note 2)                    |     | 10   | 70   | mV      |    |
|                  | Output Voltage Load Regulation   | LTC1174-3.3 (Note 2)   |     |      |      |         |    |
|                  |  | $20mA < I_{LOAD} < 175mA, I_{PGM} = 0V$<br>$20mA < I_{LOAD} < 400mA, I_{PGM} = V_{IN}$ |     |      | -5   | -70     | mV |
|                  |  | LTC1174-5 (Note 2)   |     |      |      |         |    |
|                  | $20mA < I_{LOAD} < 175mA, I_{PGM} = 0V$<br>$20mA < I_{LOAD} < 400mA, I_{PGM} = V_{IN}$ |  |     | -5   | -70  | mV      |    |
|                  |  |  |     | -50  | -70  | mV      |    |

**ELECTRICAL CHARACTERISTICS**  $T_A = 25^\circ\text{C}$ ,  $V_{IN} = 9\text{V}$ ,  $V_{\text{SHUTDOWN}} = V_{IN}$ ,  $I_{\text{PGM}} = 0\text{V}$ , unless otherwise noted.

| SYMBOL              | PARAMETER                        | CONDITIONS  | MIN | TYP  | MAX  | UNITS         |               |
|---------------------|----------------------------------|---|-----|------|------|---------------|---------------|
| $I_Q$               | Input DC Supply Current (Note 3) | Active Mode<br>LTC1174: $4\text{V} < V_{IN} < 12\text{V}$ , $I_{\text{PGM}} = 0\text{V}$<br>LTC1174HV: $4\text{V} < V_{IN} < 16\text{V}$ , $I_{\text{PGM}} = 0\text{V}$                 |     | 450  | 600  | $\mu\text{A}$ |               |
|                     |                                  | Sleep Mode<br>LTC1174: $4\text{V} < V_{IN} < 12\text{V}$<br>LTC1174HV: $4\text{V} < V_{IN} < 16\text{V}$  |     | 130  | 180  | $\mu\text{A}$ |               |
|                     |                                  | SHUTDOWN (Note 4)<br>LTC1174: $V_{\text{SHUTDOWN}} = 0\text{V}$ , $4\text{V} < V_{IN} < 12\text{V}$<br>LTC1174HV: $V_{\text{SHUTDOWN}} = 0\text{V}$ , $4\text{V} < V_{IN} < 16\text{V}$ |     | 1    | 10   | $\mu\text{A}$ |               |
| $V_{\text{LBTRIP}}$ | Low-Battery Trip Point           |   |     | 1.25 | 1.4  | V             |               |
| $I_{\text{LBIN}}$   | Current into Pin 3               |   |     |      | 0.5  | $\mu\text{A}$ |               |
| $I_{\text{LBOUT}}$  | Current Sunk by Pin 2            | LTC1174: $V_{\text{LBOUT}} = 0.4\text{V}$<br>LTC1174HV: $V_{\text{LBOUT}} = 0.4\text{V}$  |     | 1.0  | 1.2  | 1.5           | $\text{mA}$   |
|                     |                                  |   |     | 0.6  | 0.8  | 1.5           | $\text{mA}$   |
| $V_{\text{HYST}}$   | Comparator Hysteresis            | LTC1174/LTC1174HV   |     | 7.5  | 15   | 30            | mV            |
| $I_{\text{PEAK}}$   | Current Limit                    | $I_{\text{PGM}} = V_{IN}$ , $V_{\text{OUT}} = 0\text{V}$  | ●   | 0.54 | 0.60 | 0.78          | A             |
|                     |                                  | $I_{\text{PGM}} = 0\text{V}$ , $V_{\text{OUT}} = 0\text{V}$   | ●   | 0.27 | 0.34 | 0.50          | A             |
| $R_{\text{ON}}$     | ON Resistance of Switch          | LTC1174   | ●   | 0.75 | 1.30 | $\Omega$      |               |
|                     |                                  | LTC1174HV   | ●   | 0.90 | 1.55 | $\Omega$      |               |
| $t_{\text{OFF}}$    | Switch Off-Time (Note 5)         | $V_{\text{OUT}}$ at Regulated Value   |     | 3    | 4    | 5             | $\mu\text{s}$ |
| $V_{\text{IH}}$     | SHUTDOWN Pin High                | Minimum Voltage at Pin 8 for Device to Be Active  |     | 1.2  |      | V             |               |
| $V_{\text{IL}}$     | SHUTDOWN Pin Low                 | Maximum Voltage at Pin 8 for Device to Be in Shutdown   |     |      | 0.75 | V             |               |
| $I_{\text{IH}}$     | SHUTDOWN Pin Input Current       | LTC1174: $V_{\text{SHUTDOWN}} = 12\text{V}$   |     |      | 0.5  | $\mu\text{A}$ |               |
|                     |                                  | LTC1174HV: $V_{\text{SHUTDOWN}} = 16\text{V}$   |     |      | 2.0  | $\mu\text{A}$ |               |
| $I_{\text{IL}}$     | SHUTDOWN Pin Input Current       | $0 \leq V_{\text{SHUTDOWN}} \leq 0.8\text{V}$   |     |      | 0.5  | $\mu\text{A}$ |               |

$-40^\circ\text{C} \leq T_A \leq 85^\circ\text{C}$  (Note 6), for LTC1174I only.

| SYMBOL             | PARAMETER                | CONDITIONS  | MIN | TYP  | MAX  | UNITS |               |
|--------------------|--------------------------|---|-----|------|------|-------|---------------|
| $V_{\text{FB}}$    | Feedback Voltage         | LTC1174I  |     | 1.18 | 1.25 | 1.31  | V             |
| $I_{\text{LBOUT}}$ | Current Sunk by Pin 2    | $V_{\text{LBOUT}} = 0.4$                                    |     | 0.75 | 1.2  | 2     | $\text{mA}$   |
| $I_{\text{PEAK}}$  | Current Limit            | $I_{\text{PGM}} = V_{IN}$ , $V_{\text{OUT}} = 0\text{V}$    |     | 0.54 | 0.60 | 0.78  | A             |
|                    |                          | $I_{\text{PGM}} = 0\text{V}$ , $V_{\text{OUT}} = 0\text{V}$ |     |      | 0.34 |       | A             |
| $t_{\text{OFF}}$   | Switch Off-Time (Note 5) | $V_{\text{OUT}}$ at Regulated Value                         |     | 2    | 4    | 6     | $\mu\text{s}$ |

The ● denotes specifications which apply over the full operating temperature range.

**Note 1:**  $T_J$  is calculated from the ambient temperature  $T_A$  and power dissipation  $P_D$  according to the following formulas:

$$\text{LTC1174CN8, LTC1174CN8-3.3, LTC1174CN8-5: } T_J = T_A + (P_D \times 110^\circ\text{C/W})$$

$$\text{LTC1174CS8, LTC1174CS8-3.3, LTC1174CS8-5: } T_J = T_A + (P_D \times 150^\circ\text{C/W})$$

**Note 2:** Guaranteed by design.

**Note 3:** Dynamic supply current is higher due to the gate charge being delivered at the switching frequency.

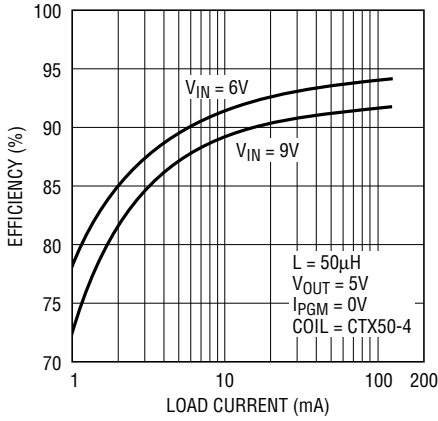
**Note 4:** Current into pin 6 only, measured without electrolytic input capacitor.

**Note 5:** The off-time is wafer-sort trimmed.

**Note 6:** The LTC1174I is not tested and not quality assurance sampled at  $-40^\circ\text{C}$  and  $85^\circ\text{C}$ . These specifications are guaranteed by design and/or correlation.

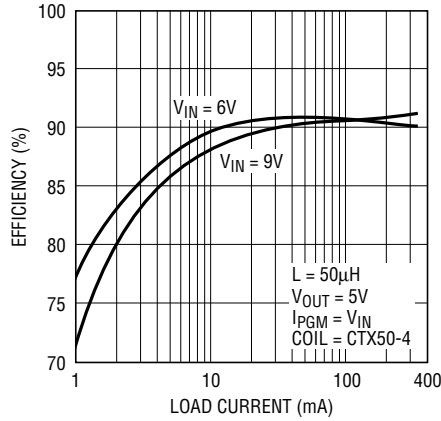
# TYPICAL PERFORMANCE CHARACTERISTICS

Efficiency vs Load Current



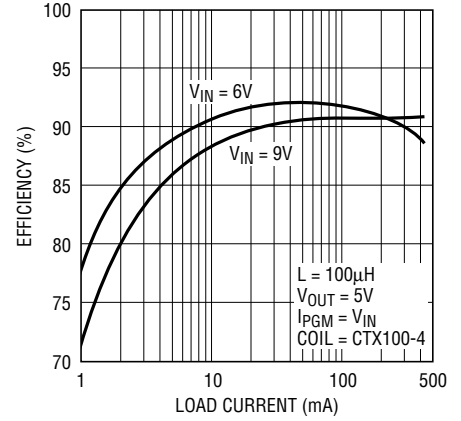
1174 G01

Efficiency vs Load Current



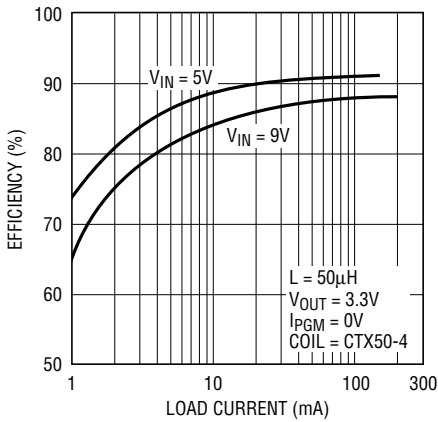
1174 G02

Efficiency vs Load Current



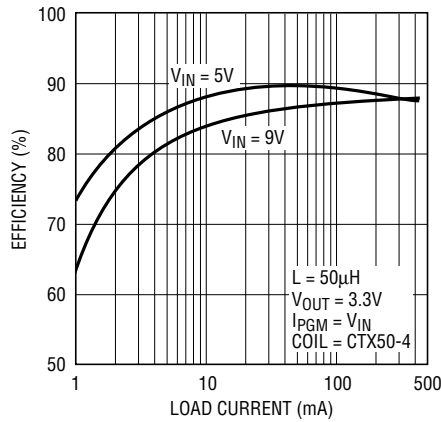
1174 G03

Efficiency vs Load Current



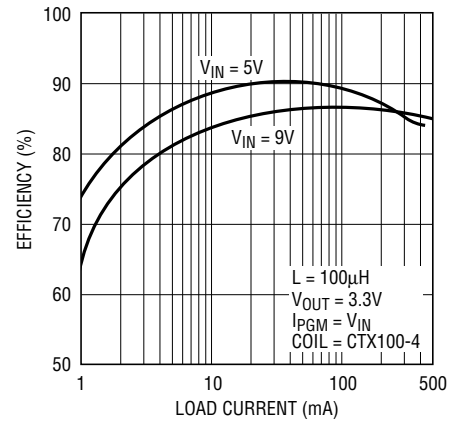
1174 G04

Efficiency vs Load Current



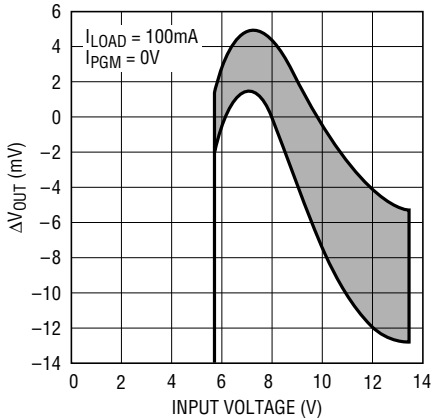
1174 G05

Efficiency vs Load Current



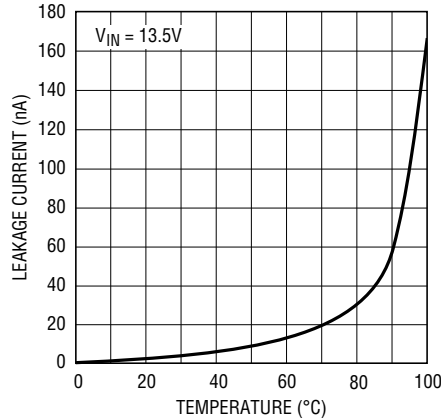
1174 G06

Line Regulation



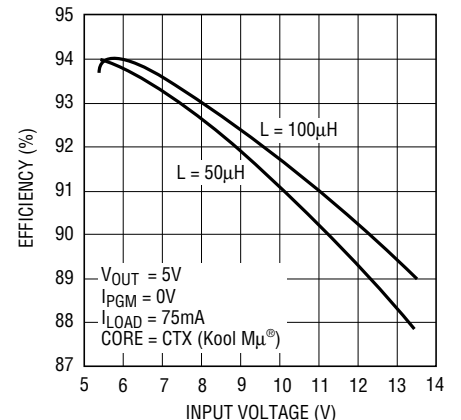
1174 G07

Switch Leakage Current vs Temperature



1174 G08

Efficiency vs Input Voltage

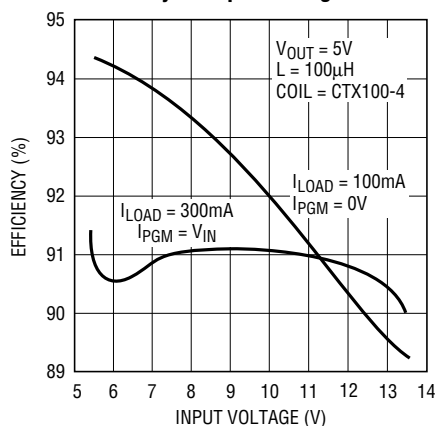


1174 G09

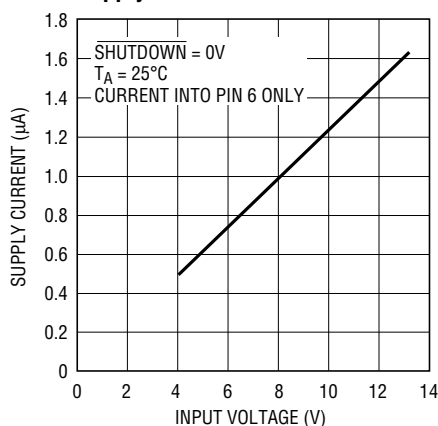
Kool Mµ® is a registered trademark of Magnetics, Inc.

## TYPICAL PERFORMANCE CHARACTERISTICS

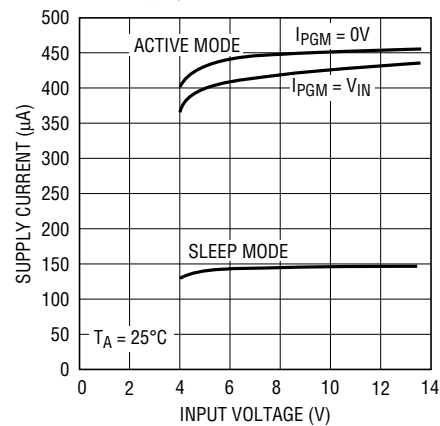
Efficiency vs Input Voltage



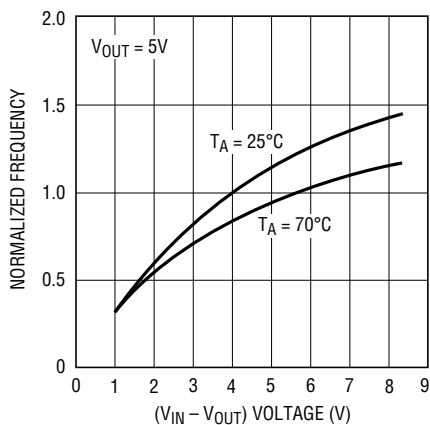
Supply Current in Shutdown



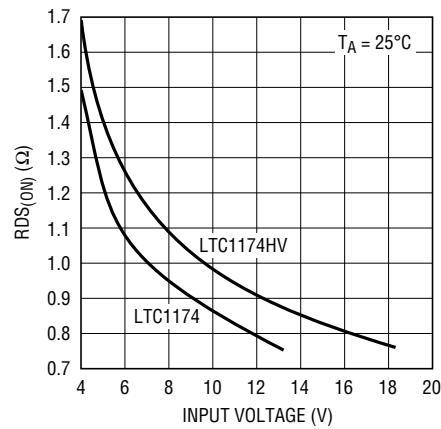
DC Supply Current



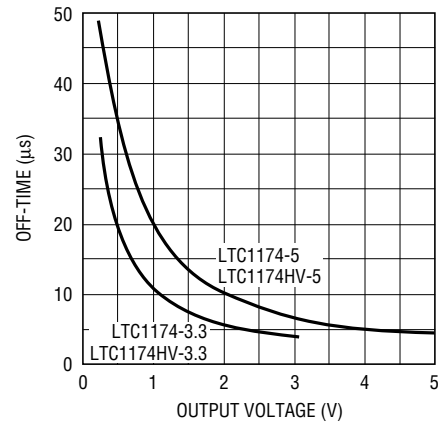
Operating Frequency vs  $V_{IN} - V_{OUT}$



Switch Resistance vs Input Voltage



Off-Time vs Output Voltage



## PIN FUNCTIONS

**$V_{OUT}$  ( $V_{FB}$ ) (Pin 1):** For the LTC1174, this pin connects to the main voltage comparator's input. On the LTC1174-3.3 and LTC1174-5 this pin goes to an internal resistive divider which sets the output voltage.

**$LB_{OUT}$  (Pin 2):** Open Drain of an N-Channel Pull-Down. This pin will sink current when pin 3 ( $LB_{IN}$ ) goes below 1.25V. During shutdown this pin goes to high impedance.

**$LB_{IN}$  (Pin 3):** The “-” Input of the Low-Battery Voltage Comparator. The “+” input is connected to a reference voltage of 1.25V.

**GND (Pin 4):** Ground Pin.

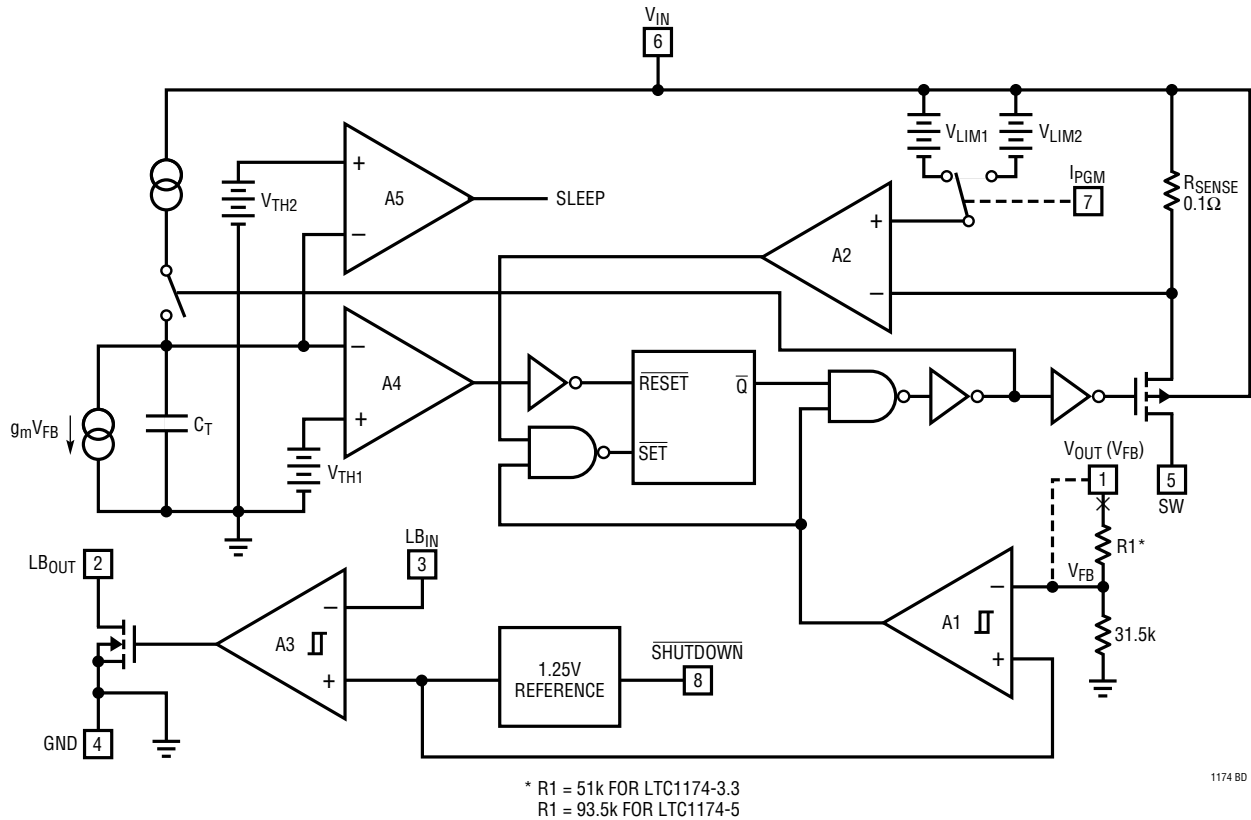
**SW (Pin 5):** Drain of the P-Channel MOSFET Switch. Cathode of Schottky diode must be closely connected to this pin.

**$V_{IN}$  (Pin 6):** Input Supply Voltage. It must be decoupled close to ground pin 4.

**$I_{PGM}$  (Pin 7):** Selects the Current Limit of the P-Channel Switch. With  $I_{PGM} = V_{IN}$ , the current trip point is 600mA and with  $I_{PGM} = 0V$ , the current trip value is reduced to 340mA.

**SHUTDOWN (Pin 8):** Pulling this pin to ground keeps the internal switch off and puts the LTC1174 in micropower shutdown.

**FUNCTIONAL DIAGRAM** (Pin 1 connection shown for LTC1174-3.3 and LTC1174-5, changes create LTC1174)



**OPERATION** (Refer to Functional Diagram)

The LTC1174 uses a constant off-time architecture to switch its internal P-channel power MOSFET. The off-time is set by an internal timing capacitor and the operating frequency is a function of  $V_{IN}$ .

The output voltage is set by an internal resistive divider (LTC1174-3.3 and LTC1174-5) or an external divider returned to  $V_{FB}$  pin 1 (LTC1174). A voltage comparator A1 compares the divided output voltage to a reference voltage of 1.25V.

To optimize efficiency, the LTC1174 automatically switches between continuous and Burst Mode™ operation. The voltage comparator is the primary control element when the device is in Burst Mode operation, while the current comparator controls the output voltage in continuous mode.

During the switch “ON” time, switch current flows through the 0.1Ω sense resistor. When this current reaches the threshold of the current comparator A2, its output signal will change state, setting the flip-flop and turning the switch off.

The timing capacitor,  $C_T$ , begins to discharge until its voltage goes below  $V_{TH1}$ . Comparator A4 will then trip, which resets the flip-flop and causes the switch to turn on again. Also, the timing capacitor is recharged. The inductor current will again ramp up until the current comparator A2 trips. The cycle then repeats.

When the load is relatively light, the LTC1174 automatically goes into Burst Mode operation. The current mode loop is interrupted when the output voltage reaches the desired regulated value. The hysteretic voltage comparator A1 trips when  $V_{OUT}$  is above the desired output voltage, shutting off the switch and causing the timing capacitor to discharge. This capacitor discharges past  $V_{TH1}$  until its voltage drops below  $V_{TH2}$ . Comparator A5 then trips and a sleep signal is generated.

In sleep mode, the LTC1174 is in standby and the load current is supplied by the output capacitor. All unused

Burst Mode™ is a trademark of Linear Technology Corporation.

## OPERATION (Refer to Functional Diagram)

circuitry is shut off, reducing quiescent current from 0.45mA to 0.13mA. When the output capacitor discharges by the amount of the hysteresis of the comparator A1, the P-channel switch turns on again and the process repeats itself.

### Operating Frequency and Inductor

Since the LTC1174 utilizes a constant off-time architecture, its operating frequency is dependent on the value of  $V_{IN}$ . The frequency of operation can be expressed as:

$$f = \frac{1}{t_{OFF}} \left( \frac{V_{IN} - V_{OUT}}{V_{IN} + V_D} \right) \quad (\text{Hz})$$

where  $t_{OFF} = 4\mu\text{s}$  and  $V_D$  is the voltage drop across the diode. Note that the operating frequency is a function of the input and output voltage.

Although the size of the inductor does not affect the frequency, it does affect the ripple current. The peak-to-peak ripple current is given by:

$$I_{RIPPLE} = 4 \times 10^{-6} \left( \frac{V_{OUT} + V_D}{L} \right) (A_{P-P})$$

By choosing a smaller inductor, a low ESR output filter capacitor has to be used (see  $C_{IN}$  and  $C_{OUT}$ ). Moreover, core loss will also increase (see Inductor Core Selection section) due to higher ripple current.

## APPLICATIONS INFORMATION

### Inductor Core Selection

With the value of  $L$  selected, the type of inductor must be chosen. Basically there are two kinds of losses in an inductor, core and copper

Core losses are dependent on the peak-to-peak ripple current and the core material. However it is independent of the physical size of the core. By increasing the inductance the inductor's peak-to-peak ripple current will decrease, therefore reducing core loss. Utilizing low core loss material, such as molypermalloy or Kool M $\mu$  will allow users to concentrate on reducing copper loss and preventing saturation. Figure 1 shows the effect of different core material on the efficiency of the LTC1174. The CTX core is Kool M $\mu$  and the CTP core is powdered iron (material 52).

Although higher inductance reduces core loss, it increases copper loss as it requires more windings. When space is not a premium larger gauge wire can be used to reduce the wire resistance. This also prevents excessive heat dissipation.

### $C_{IN}$

In continuous mode the source current of the P-channel MOSFET is a square wave of duty cycle  $V_{OUT}/V_{IN}$ . To prevent large voltage transients, a low ESR input capacitor sized for

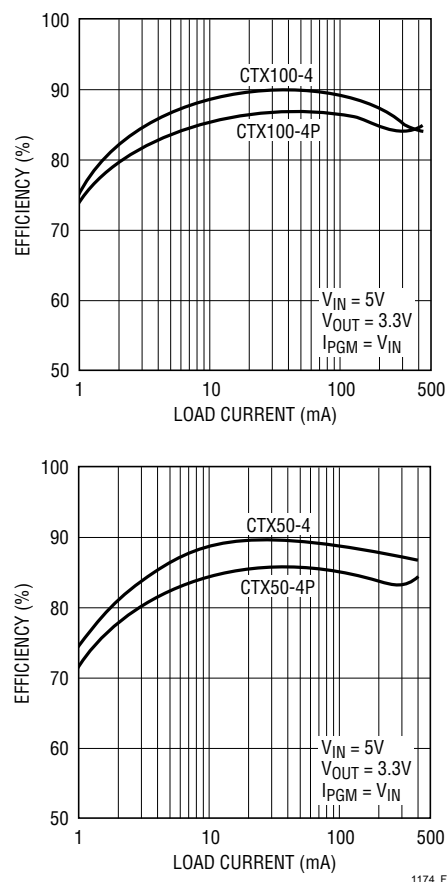


Figure 1. Efficiency Using Different Types of Inductor Core Material

## APPLICATIONS INFORMATION

the maximum RMS current must be used. The  $C_{IN}$  RMS current is given by:

$$I_{RMS} \approx \frac{I_{OUT} \left[ V_{OUT} (V_{IN} - V_{OUT}) \right]^{1/2}}{V_{IN}} \quad (A_{RMS})$$

This formula has a maximum at  $V_{IN} = 2V_{OUT}$ , where  $I_{RMS} = I_{OUT}/2$ . This simple worst case is commonly used for design because even significant deviations do not offer much relief. Note that ripple current directly affects capacitor's lifetime. **DO NOT UNDERSPECIFY THIS COMPONENT.** An additional 0.1µF ceramic capacitor is also required on  $V_{IN}$  for high frequency decoupling.

### C<sub>OUT</sub>

To avoid overheating, the output capacitor must be sized to handle the ripple current generated by the inductor. The worst case RMS ripple current in the output capacitor is given by:

$$I_{RMS} \approx \frac{I_{PEAK}}{2} \quad (A_{RMS})$$

$$= 170mA \text{ or } 300mA$$

Although the output voltage ripple is determined by the hysteresis of the voltage comparator, ESR of the output capacitor is also a concern. Too high of an ESR will create a higher ripple output voltage and at the same time cause the LTC1174 to sleep less often. This will affect the efficiency of the LTC1174. For a given technology, ESR is a direct function of the volume of the capacitor. Several small-sized capacitors can also be paralleled to obtain the same ESR as one large can. Manufacturers such as Nichicon, Chemicon and Sprague should be considered for high performance capacitors. The OS-CON semiconductor dielectric capacitor available from Sanyo has the lowest ESR for its size, at a higher price.

### Catch Diode Selection

The catch diode carries load current during the off-time. The average diode current is therefore dependent on the P-channel switch duty cycle. At high input voltages the diode conducts most of the time. As  $V_{IN}$  approaches  $V_{OUT}$

the diode conducts only a small fraction of the time. The most stressful condition for the diode is when the output is short-circuited. Under this condition the diode must safely handle  $I_{PEAK}$  at close to 100% duty cycle. A fast switching diode must also be used to optimize efficiency. Schottky diodes are a good choice for low forward drop and fast switching times. Most LTC1174 circuits will be well served by either a 1N5818, a MBRS140T3 or a MBR0520L Schottky diode.

### Short-Circuit Protection

The LTC1174 is protected from output short by its internal current limit. Depending on the condition of  $I_{PGM}$  pin, the limit is either set to 340mA or 600mA. In addition, the off-time of the switch is increased to allow the inductor's current to decay far enough to prevent any current build-up (see Figure 2).

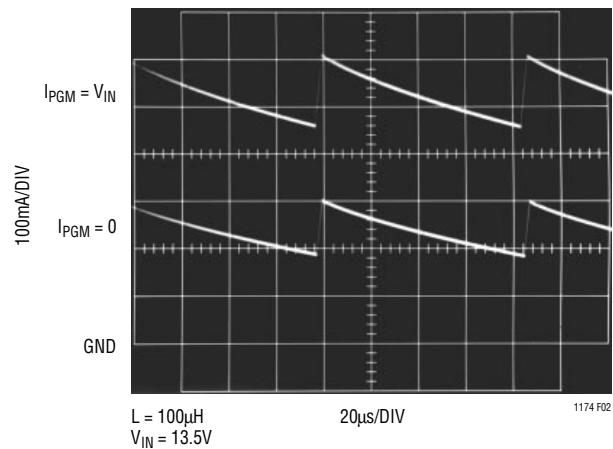


Figure 2. Inductor's Current with Output Shorted

### Low-Battery Detector

The low-battery indicator senses the input voltage through an external resistive divider. This divided voltage connects to the “-” input of a voltage comparator (pin 3) which is compared with a 1.25V reference voltage. With the current going into pin 3 being negligible, the following expression is used for setting the trip limit:

$$V_{LBTRIP} = 1.25 \left( 1 + \frac{R4}{R3} \right)$$



## APPLICATIONS INFORMATION

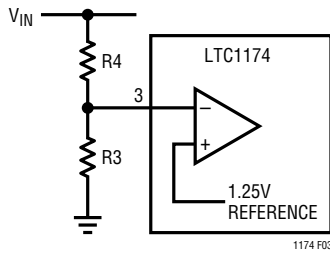


Figure 3. Low-Battery Comparator

### LTC1174 Adjustable Applications

The LTC1174 develops a 1.25V reference voltage between the feedback (pin 1) terminal and ground (see Figure 4). By selecting resistor R1, a constant current is caused to flow through R1 and R2 to set the overall output voltage. The regulated output voltage is determined by:

$$V_{OUT} = 1.25 \left( 1 + \frac{R2}{R1} \right)$$

For most applications, a 30k resistor is suggested for R1. To prevent stray pickup, a 100pF capacitor is suggested across R1 located close to the LTC1174.

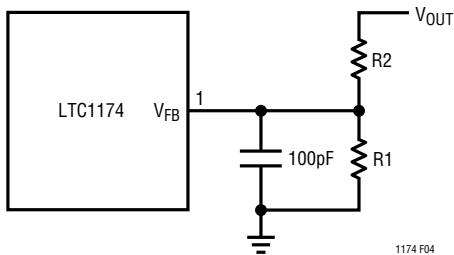


Figure 4. LTC1174 Adjustable Configuration

### Inverting Applications

The LTC1174 can easily be set up for a negative output voltage. If -5V is desired, the LTC1174-5 is ideal for this application as it requires the least components. Figure 5 shows the schematic for this application. Note that the output voltage is now taken off the GND pin. Therefore, the maximum input voltage is now determined by the difference between the absolute maximum voltage rating and the output voltage. A maximum of 12V is specified in

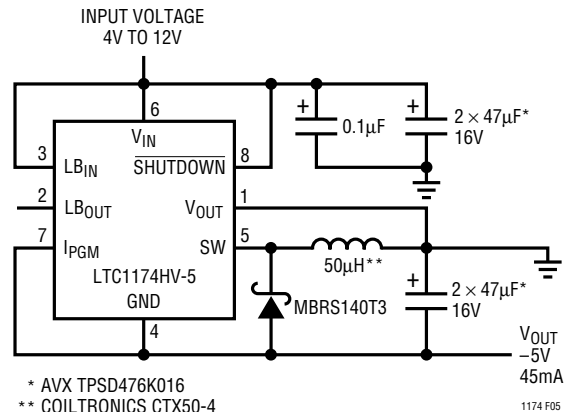


Figure 5. Positive-to-Negative 5V Converter

Figure 5, giving the circuit a 1.5V of headroom for  $V_{IN}$ . Note that the circuit can operate from a minimum of 4V, making it ideal for a 4 NiCad cell application. For a higher output current circuit, please refer to the Typical Applications section.

### Board Layout Checklist

When laying out the printed circuit board, the following checklist should be used to ensure proper operation of the LTC1174. These items are also illustrated graphically in the layout diagram in Figure 6. Check the following in your layout:

1. Is the Schottky catch diode *closely* connected between ground (pin 4) and switch (pin 5)?
2. Is the "+" plate of  $C_{IN}$  *closely* connected to  $V_{IN}$  (pin 6)? This capacitor provides the AC current to the internal P-channel MOSFET.
3. Is the 0.1µF  $V_{IN}$  decoupling capacitor *closely* connected between  $V_{IN}$  (pin 6) and ground (pin 4)? This capacitor carries the high frequency peak currents.
4. Is the  $\overline{SHUTDOWN}$  (pin 8) actively pulled to  $V_{IN}$  during normal operation? The  $\overline{SHUTDOWN}$  pin is high impedance and must not be allowed to float.
5. Is the  $I_{PGM}$  (pin 7) pulled either to  $V_{IN}$  or ground? The  $I_{PGM}$  pin is high impedance and must not be allowed to float.

## APPLICATIONS INFORMATION

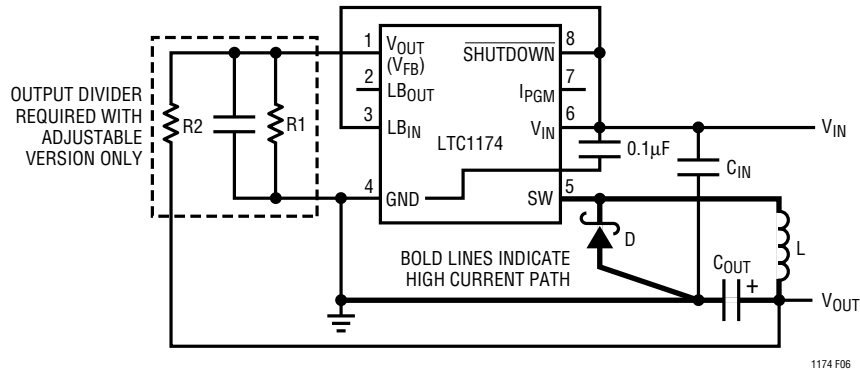


Figure 6. LTC1174 Layout Diagram (See Board Layout Checklist)

### DESIGN EXAMPLE

As a design example, assume  $V_{IN} = 9V$  (nominal),  $V_{OUT} = 5V$ , and  $I_{OUT} = 350mA$  maximum. The LTC1174-5 is used for this application, with  $I_{PGM}$  (pin 7) connected to  $V_{IN}$ . The minimum value of  $L$  is determined by assuming the LTC1174-5 is operating in continuous mode.

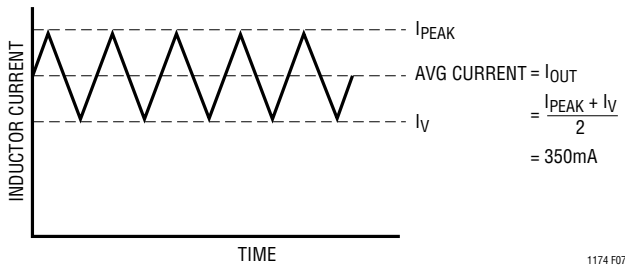


Figure 7. Continuous Inductor Current

With  $I_{OUT} = 350mA$  and  $I_{PEAK} = 0.6A$  ( $I_{PGM} = V_{IN}$ ),  $I_V = 0.1A$ . The peak-to-peak ripple inductor current,  $I_{RIPPLE}$ , is  $0.5A$  and is also equal to:

$$I_{RIPPLE} = 4 \times 10^{-6} \left( \frac{V_{OUT} + V_D}{L} \right) \quad (A_{P-P})$$

Solving for  $L$  in the above equation and with  $V_D = 0.6V$ ,  $L = 44.8\mu H$ . The next higher standard value of  $L$  is  $50\mu H$

(example: Coiltronics CTX50-4). The operating frequency, neglecting voltage across diode  $V_D$  is:

$$f \approx 2.5 \times 10^5 \left( 1 - \frac{V_{OUT}}{V_{IN}} \right) = 111kHz$$

With the value of  $L$  determined, the requirements for  $C_{IN}$  and  $C_{OUT}$  are calculated. For  $C_{IN}$ , its RMS current rating should be at least:

$$I_{RMS} = \frac{I_{OUT} [V_{OUT} (V_{IN} - V_{OUT})]^{1/2}}{V_{IN}} \quad (A_{RMS}) = 174mA$$

For  $C_{OUT}$ , the RMS current rating should be at least:

$$I_{RMS} \approx \frac{I_{PEAK}}{2} \quad (A_{RMS}) = 300mA$$

Now allow  $V_{IN}$  to drop to  $6V$ . At this minimum input voltage the operating frequency will decrease. The new frequency is  $42kHz$ .

## APPLICATIONS INFORMATION

Table 1. Inductor Manufacturers

| MANUFACTURER   | PART NUMBER                  |
|--|------------------------------|
| Coilcraft<br>1102 Silver Lake Road<br>Cary, IL 60013<br>(708) 639-2361                                     | DT3316 Series                |
| Coiltronics Inc.<br>6000 Park of Commerce Blvd.<br>Boca Raton, FL 33487<br>(407) 241-7876                  | Econo-Pac<br>Octa-Pac        |
| Gowanda Electronics Corporation<br>1 Industrial Place<br>Gowanda, NY 14070<br>(716) 532-2234               | GA10 Series                  |
| Sumida Electric Co. Ltd.<br>637 E. Golf Road, Suite 209<br>Arlington Heights, IL 60005<br>(708) 956-0666/7 | CD 54 Series<br>CD 75 Series |

Table 2. Capacitor Manufacturers

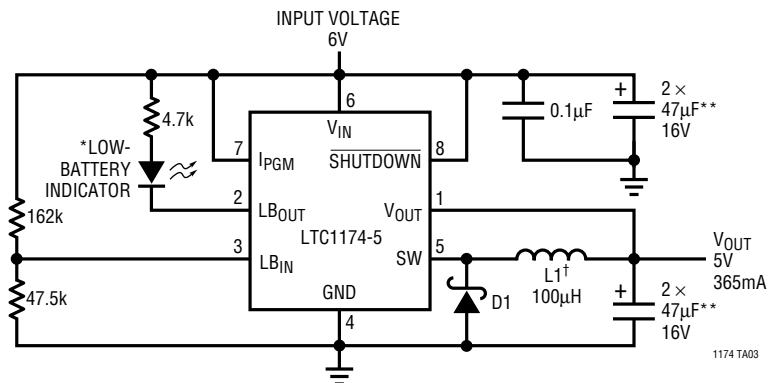
| MANUFACTURER  | PART NUMBER              |
|---|--------------------------|
| AVX Corporation<br>P.O. Box 887<br>Myrtle Beach, SC 29578<br>(803) 448-9411                               | TPS Series<br>TAJ Series |
| Nichicon America Corporation<br>927 East State Parkway<br>Schaberg, IL 60173<br>(708) 843-7500            | PL Series                |
| Sanyo Video Components<br>2001 Sanyo Avenue<br>San Diego, CA 92173<br>(619) 661-6385<br>Attn: Sales Dept. | OS-CON Series            |

## TYPICAL APPLICATIONS

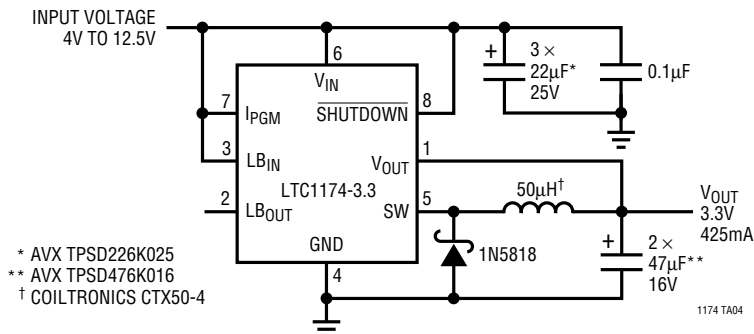
6V to 5V Step-Down Regulator with Low-Battery Detection

- \* LOW-BATTERY INDICATOR IS SET TO TRIP AT  $V_{IN} = 5.5V$
- \*\* AVX TPSD476K016
- D1 = MBRS140T3 (SURFACE MOUNT) 1N5818
- † L1 SELECTION

| MANUFACTURER | PART NO.  | TYPE          |
|--------------|-----------|---------------|
| COILTRONICS  | CTX100-4  | SURFACE MOUNT |
| SUMIDA       | CD75-101  | SURFACE MOUNT |
| GOWANDA      | GA10-103K | THROUGH HOLE  |



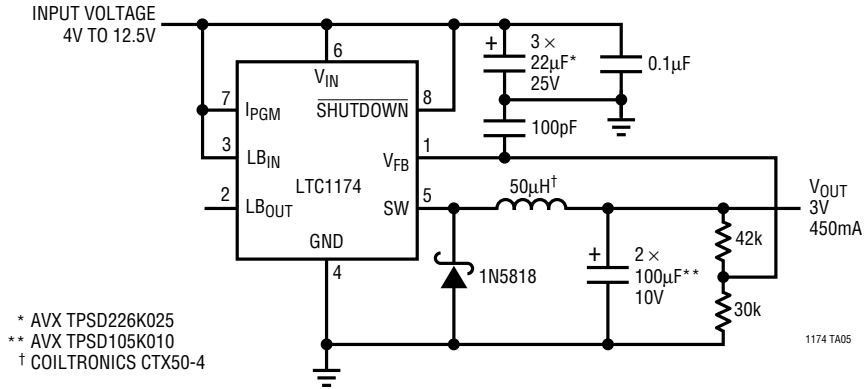
High Efficiency 3.3V Regulator



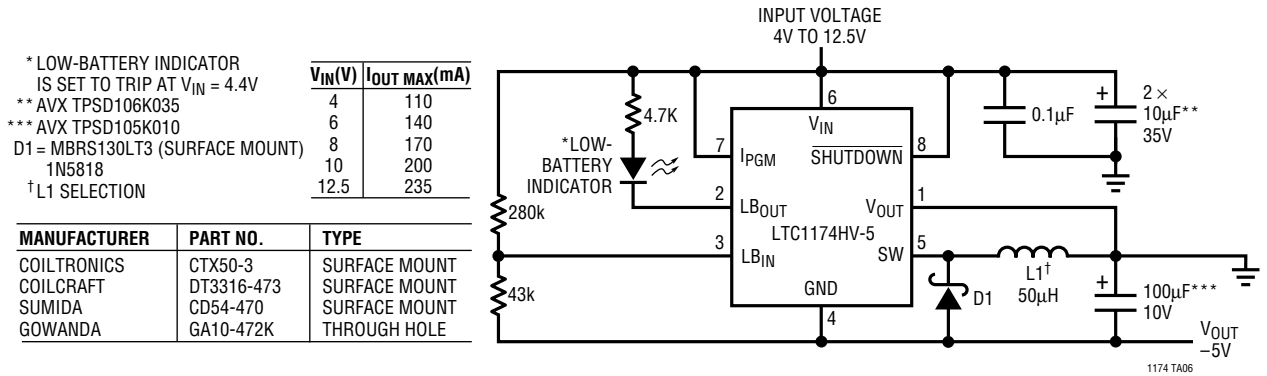
- \* AVX TPSD226K025
- \*\* AVX TPSD476K016
- † COILTRONICS CTX50-4

# TYPICAL APPLICATIONS

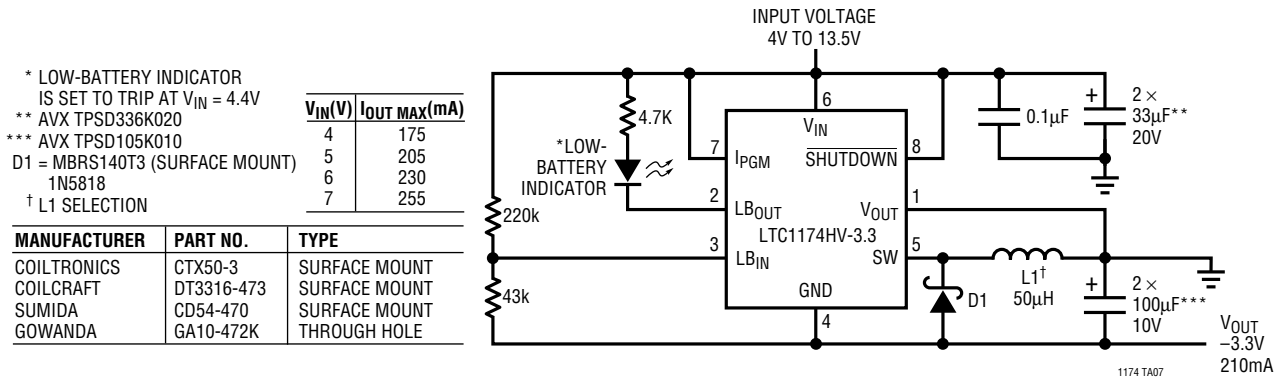
## High Efficiency 3V Regulator



## Positive-to-Negative (-5V) Converter



## Positive-to-Negative (-3.3V) Converter

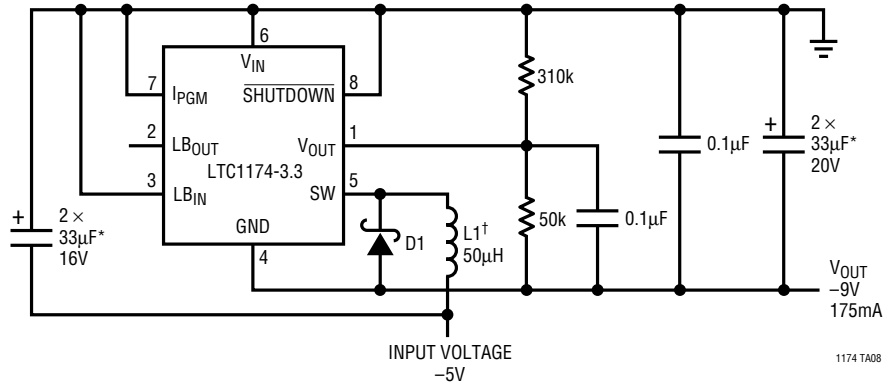


# TYPICAL APPLICATIONS

## Negative Boost Converter

\* AVX TPSD336K020  
D1 = MBR5140T3 (SURFACE MOUNT)  
1N5818  
† L1 SELECTION

| MANUFACTURER | PART NO.   | TYPE          |
|--------------|------------|---------------|
| COILTRONICS  | CTX50-3    | SURFACE MOUNT |
| COILCRAFT    | DT3316-473 | SURFACE MOUNT |
| SUMIDA       | CD54-470   | SURFACE MOUNT |
| GOWANDA      | GA10-472K  | THROUGH HOLE  |

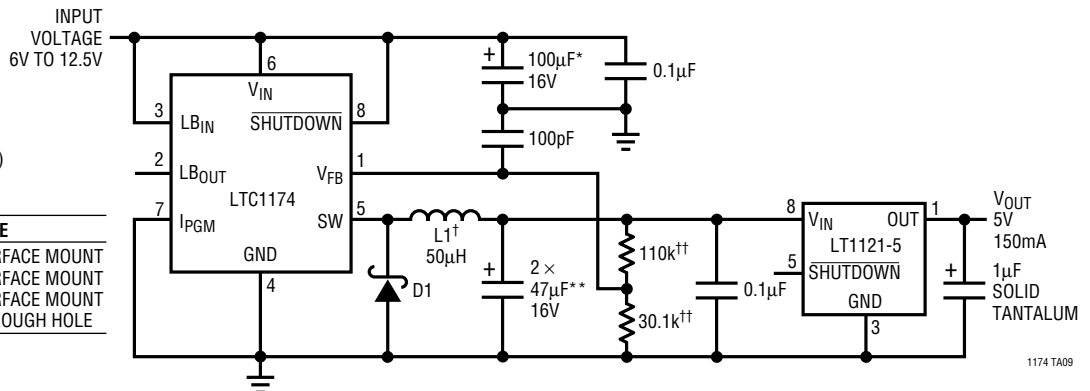


## 9V to 5V Pre-Post Regulator

\* SANYO OS-CON  
\*\* AVX TPSD476K016  
D1 = MBR5140T3 (SURFACE MOUNT)  
1N5818  
† L1 SELECTION

| MANUFACTURER | PART NO.   | TYPE          |
|--------------|------------|---------------|
| COILTRONICS  | CTX50-3    | SURFACE MOUNT |
| COILCRAFT    | DT3316-473 | SURFACE MOUNT |
| SUMIDA       | CD54-470   | SURFACE MOUNT |
| GOWANDA      | GA10-472K  | THROUGH HOLE  |

†† USE 1% METAL FILM RESISTORS



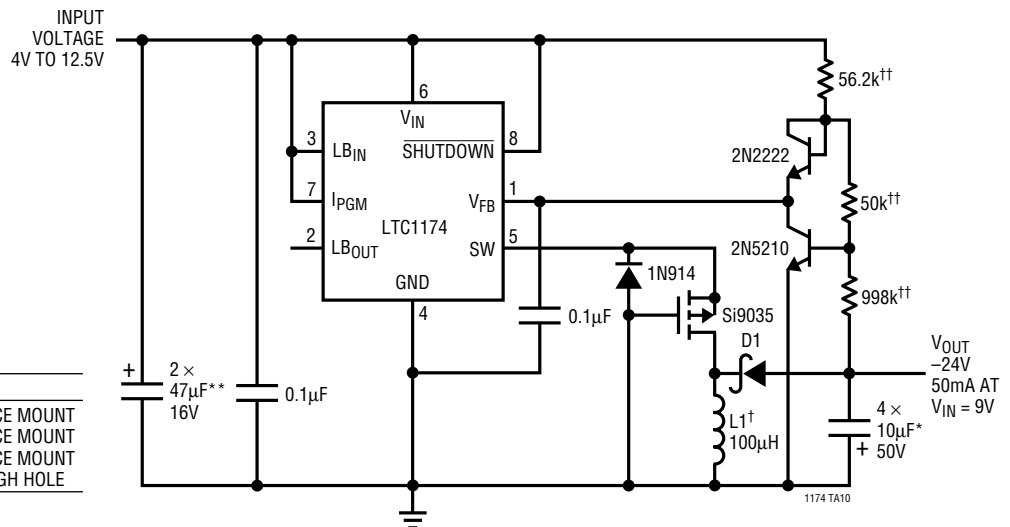
## LCD Display Power Supply

| $V_{IN}(V)$ | $I_{OUT MAX}(mA)$ |
|-------------|-------------------|
| 4           | 20                |
| 5           | 25                |
| 6           | 30                |
| 7           | 35                |
| 8           | 43                |
| 9           | 50                |
| 10          | 55                |
| 11          | 60                |
| 12          | 65                |

\* AVX TAJE106K050  
\*\* AVX TPSD476K016  
D1 = MBR5140T3 (SURFACE MOUNT)  
1N5818  
† L1 SELECTION

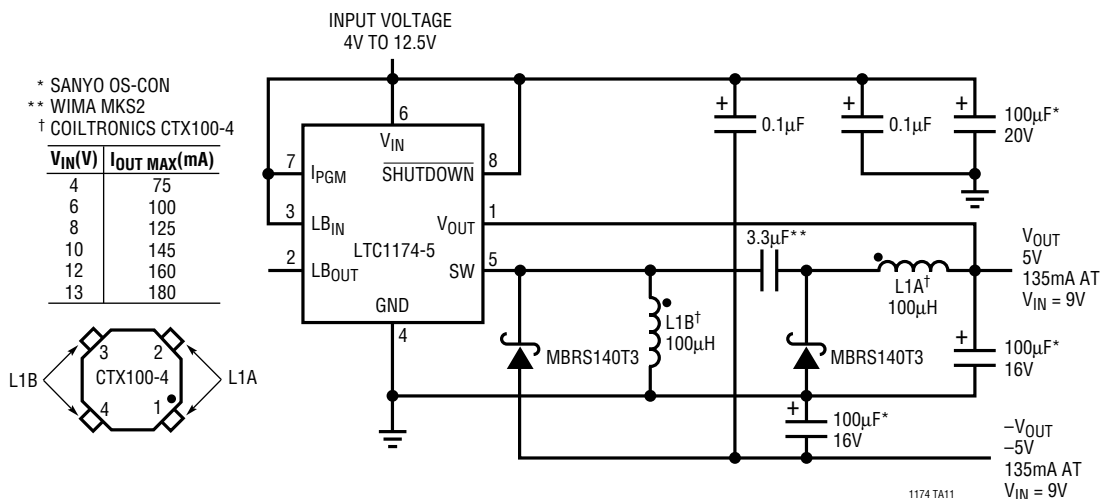
| MANUFACTURER | PART NO.   | TYPE          |
|--------------|------------|---------------|
| COILTRONICS  | CTX100-3   | SURFACE MOUNT |
| COILCRAFT    | DT3316-104 | SURFACE MOUNT |
| SUMIDA       | CD75-101   | SURFACE MOUNT |
| GOWANDA      | GA10-103K  | THROUGH HOLE  |

†† USE 1% METAL FILM RESISTORS

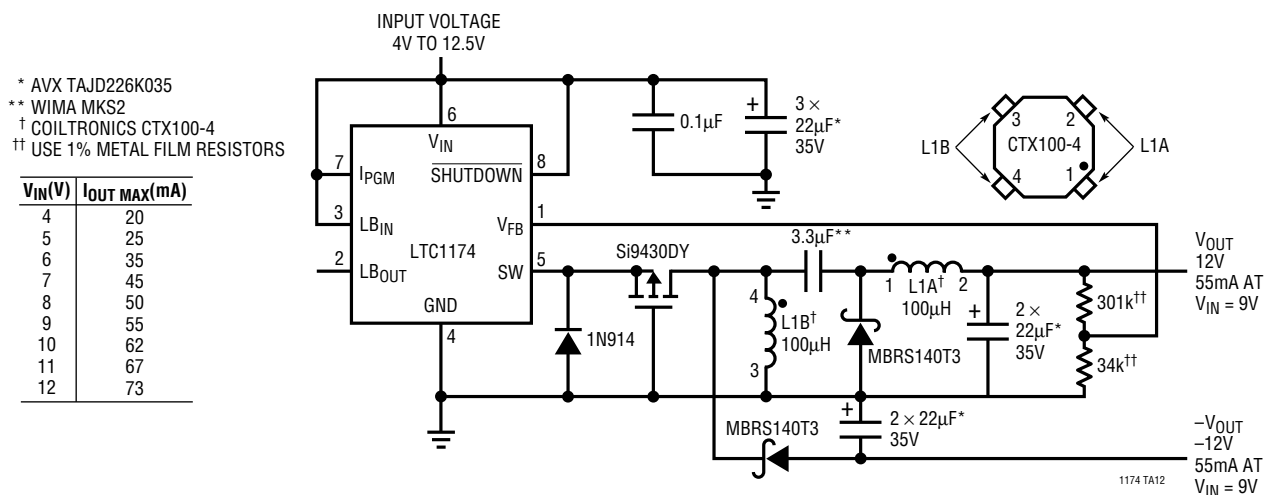


## TYPICAL APPLICATIONS

### 9V to 5V, -5V Outputs

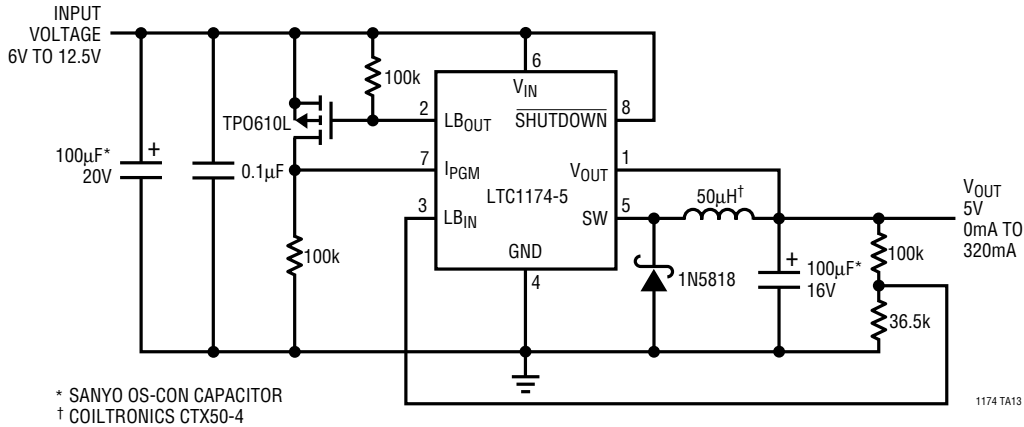


### 9V to 12V, -12V Outputs

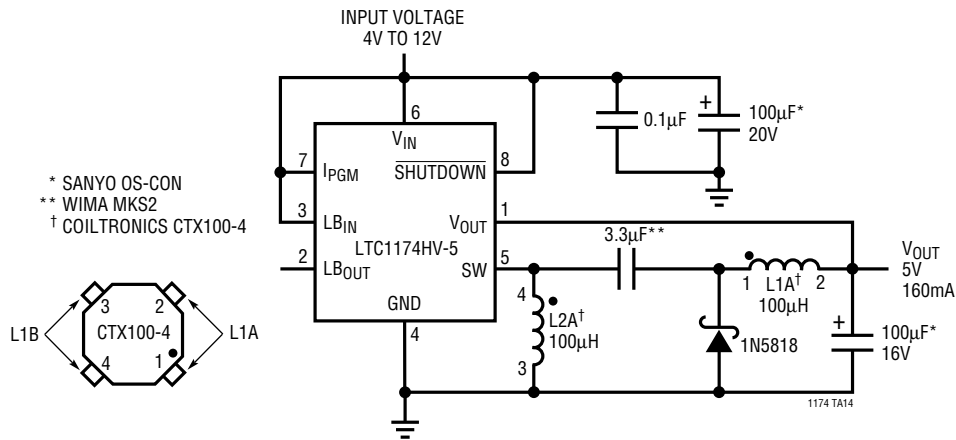


# TYPICAL APPLICATIONS

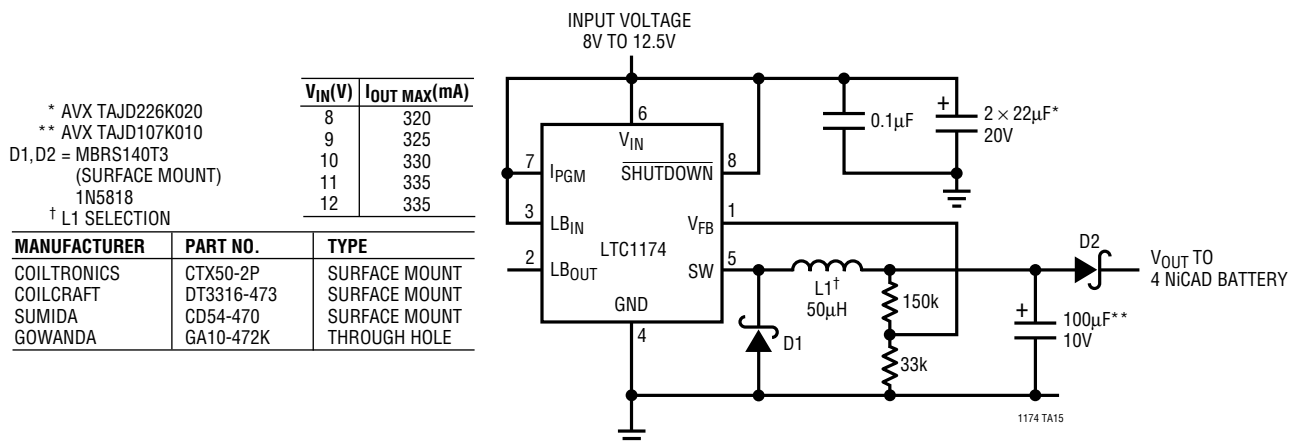
## Automatic Current Selection



## Buck-Boost Converter

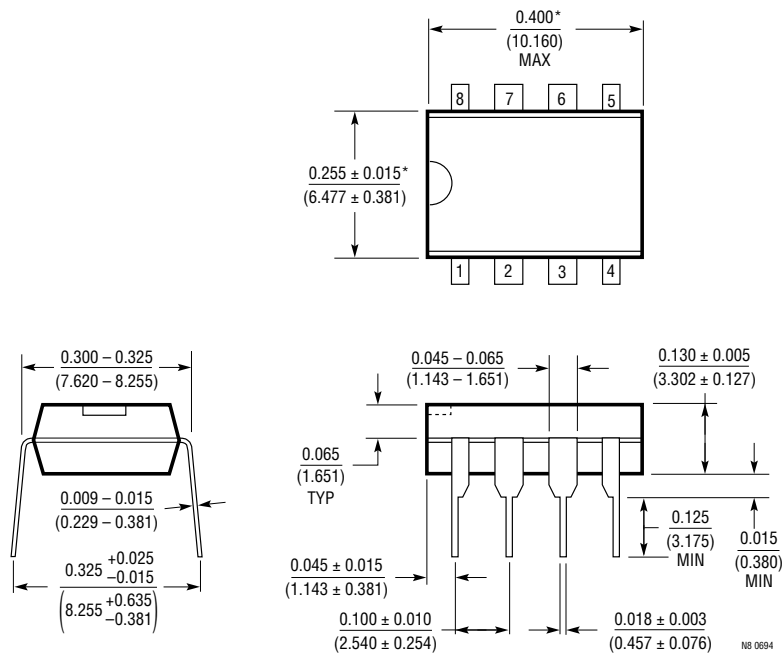


## Battery Charger



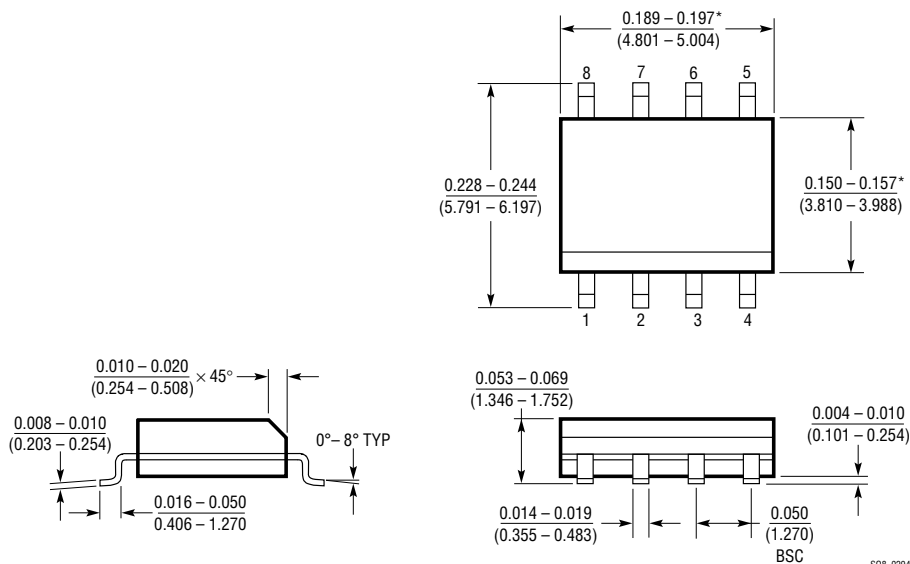
**PACKAGE DESCRIPTION** Dimensions in inches (millimeters) unless otherwise noted.

**N8 Package  
8-Lead Plastic DIP**



\*THESE DIMENSIONS DO NOT INCLUDE MOLD FLASH OR PROTRUSIONS.  
MOLD FLASH OR PROTRUSIONS SHALL NOT EXCEED 0.010 INCH (0.254mm).

**S8 Package  
8-Lead Plastic SOIC**



\*THESE DIMENSIONS DO NOT INCLUDE MOLD FLASH OR PROTRUSIONS.  
MOLD FLASH OR PROTRUSIONS SHALL NOT EXCEED 0.006 INCH (0.15mm).