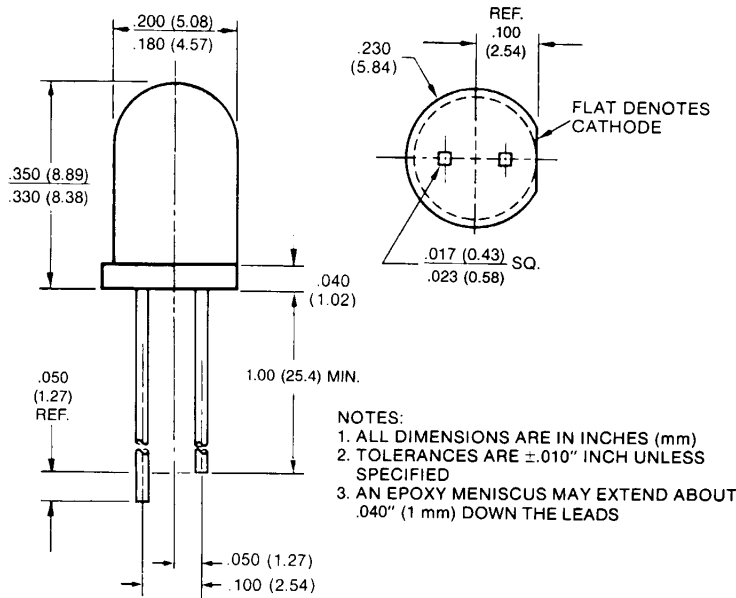


PURE GREEN HLMP-D600 TINTED
PURE GREEN HLMP-D640 CLEAR
SOFT ORANGE HLMP-D400 TINTED
SOFT ORANGE HLMP-D401 TINTED

PACKAGE DIMENSIONS



DESCRIPTION

These T-1 $\frac{3}{4}$ LEDs are widely used as general purpose indicators. The pure green lamps are made with a GaP LEDs on a GaP substrate. The soft orange are made with GaAsP LEDs on a GaP substrate. They are encapsulated in epoxy packages and are designed to provide superior light output and a wide viewing angle.

FEATURES

- Popular T-1 $\frac{3}{4}$ package
- Low drive current
- Solid state reliability
- Wide viewing angle
- Choice of pure green or soft orange colors

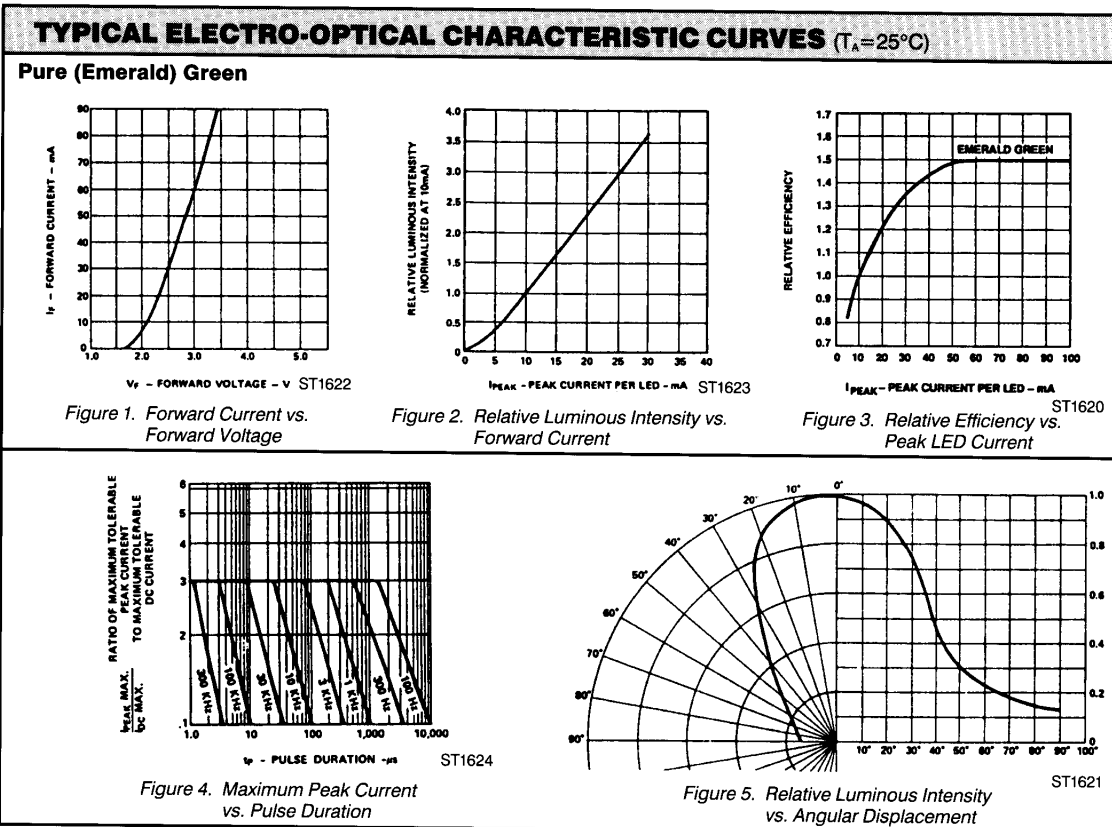
C1062F

ABSOLUTE MAXIMUM RATING ($T_A = 25^\circ\text{C}$ Unless Otherwise Specified)

DC forward current (I_f)	40 mA
Operating temperature range	-40°C to $+85^\circ\text{C}$
Storage temperature range	-40°C to $+100^\circ\text{C}$
Lead soldering time (at $\frac{1}{16}$ inch from the bottom of lamp)	5 seconds @ 260°C
Peak forward current (I_p) (at $f=1.0$ KHz, Duty factor= 1/10)	200 mA
Power dissipation (P_d)	110 mW
Recommended operating current (I_f Rec)	20 mA

ELECTRO-OPTICAL CHARACTERISTICS ($T_A = 25^\circ\text{C}$ Unless Otherwise Specified)					
PART NUMBER HLMP-	D600	D640*	D400	D401	TEST CONDITIONS
Luminous intensity (mcd)					$I_F = 10 \text{ mA}$
minimum	1.0	6.7	2.1	4.0	
typical	3.0	60	3.5	7.0	
Forward voltage (V_F)					$I_F = 10 \text{ mA}$
minimum			1.5	1.5	
typical	2.1	2.2	1.9	1.9	
maximum	2.7	3.0	2.4	2.4	
Peak wavelength (nm)	560	560	612	612	$I_F = 10 \text{ mA}$
Spectral line half width (nm)	24	24	40	40	$I_F = 10 \text{ mA}$
Reverse breakdown voltage (V_R)	5	5	5	5	$I_F = 100 \mu\text{A}$
Viewing angle ($^\circ$)	60	24	60	60	$I_F = 10 \text{ mA}$

*NOTE: HLMP-D640 test condition is $I_F = 20 \text{ mA}$



TYPICAL ELECTRO-OPTICAL CHARACTERISTIC CURVES ($T_A=25^\circ\text{C}$)

