

STRUCTURE Silicon Monolithic Integrated Circuit  
 TYPE Low Current Consumption MOS System Power Supply  
 PRODUCT SERIES **B D 4 9 1 2 - V 4**  
 FEATURES
 

- Very low current consumption
- With low ESR capacitor for output

### ○ABSOLUTE MAXIMUM RATINGS (Ta=25°C)

PARAMETER	SYMBOL	LIMITS	UNIT
Supply Voltage 1	Vcc1	36	V
Supply Voltage 2	Vcc2	36	V
SEL1 Supply Voltage	SEL1	12	V
SEL2 Supply Voltage	SEL2	12	V
Power Dissipation	Pd	3400	mW
Operating Temperature Range	Topr	-40~+85	°C
Storage Temperature Range	Tstg	-55~+150	°C
Peak Supply Voltage 1	Vcc1 PEAK	50(*1)	V
Peak Supply Voltage 2	Vcc2 PEAK	50(*1)	V

(\*1)tr(rising time)is over 1msec, Bias voltage is less than 200msec.

### ○RECOMMENDED OPERATING RANGES (Ta=25°C)

PARAMETER	SYMBOL	LIMITS			UNIT	COMMENT
		MIN.	TYP.	MAX.		
Recommended Supply Voltage Range 1	Vcc1	10	14.4	18	V	Except VDD and ILM output
Recommended Supply Voltage Range 2	Vcc1'	11.5	14.4	18	V	ILM output
Recommended Supply Voltage Range 3	Vcc2	6.3	14.4	18	V	VDD output

The above conditions may not meet electrical characteristic.

\*This product is not designed for protection against radioactive rays.

\*The product described in this specification is a strategic product (and/or service) subject to COCOM regulations. It should not be exported without authorization from the appropriate government.

\*Status of this document

The Japanese version of this document is the formal specification.

A customer may use this translation version only for a reference to help reading the formal version.

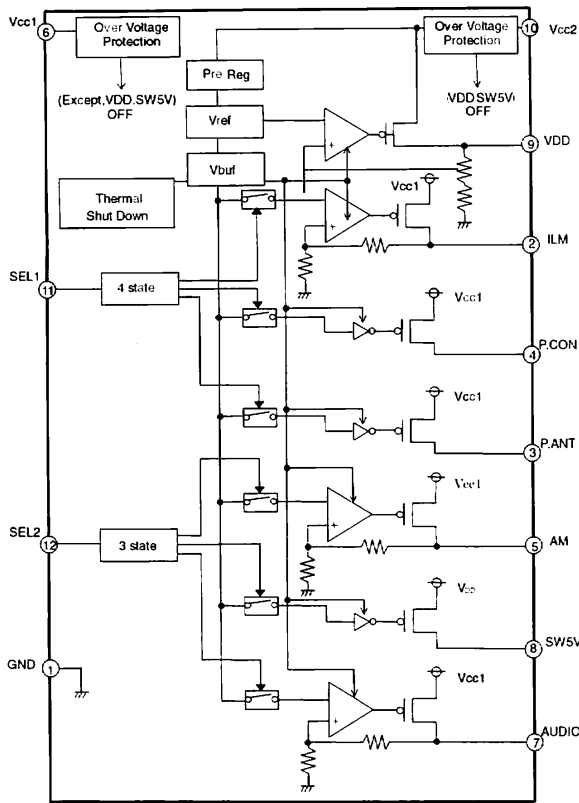
If there are any differences in translation version of this document, formal version takes priority.

○ELECTRICAL CHARACTERISTICS (Unless otherwise specified, Ta=25°C, Vcc1=Vcc2=14.4V)

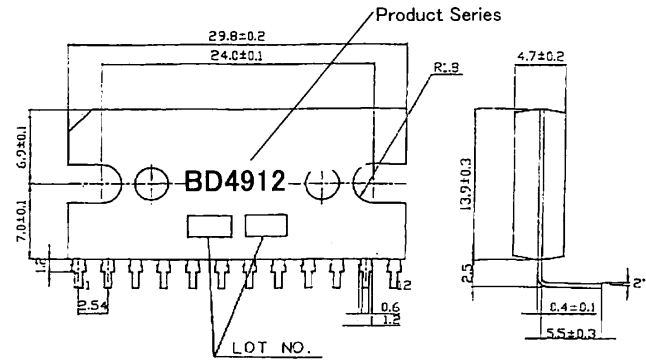
PARAMETER	SYMBOL	LIMITS			UNIT	CONDITION
		MIN.	TYP.	MAX.		
Standby Circuit Current	Ist	-	-	110	μA	
VDD						
Output Voltage (VDD) 1	Vo1	4.80	5.00	5.20	V	Io=300mA, Vcc2=10~18V
Dropout Voltage	ΔVo1	-	0.8	1.1	V	Io=300mA, Vcc2-Vo1
Peak Output Current	Io1	400	-	-	mA	Vo1 ≥ 4.8V
Ripple Rejection Ratio	R.R1	50	55	-	dB	f=100Hz, VRR=-10dBV, Io=300mA
Low VCC Output Voltage	Vo1'	4.8	-	-	V	Vcc2=5V, Io=10mA
AUDIO (SEL2>2.0V)						
Output Voltage (AUDIO) 2	Vo2	7.8	8.12	8.3	V	Io2=200mA, Vcc1=10~18V
Dropout Voltage	ΔVo2	-	0.4	0.7	V	Io2=200mA, Vcc1-Vo2
Peak Output Current	Io2	200	-	-	mA	Vo2 ≥ 7.8V
Ripple Rejection Ratio	R.R2	45	55	-	dB	f=100Hz, VRR=-10dBV, Io=200mA
P.CON (SEL1>3.5V)						
Dropout Voltage (P.CON) 3	ΔVo3	-	0.4	0.7	V	Io3=350mA, Vcc1-Vo3
Peak Output Current	Io3	350	-	-	mA	Vo3 ≥ 13.7V
P.ANT (SEL1>7.0V)						
Dropout Voltage (P.ANT) 4	ΔVo4	-	0.4	0.7	V	Io4=300mA, Vcc1-Vo4
Peak Output Current	Io4	300	-	-	mA	Vo4 ≥ 13.7V
AM (SEL2>3.5V)						
Output Voltage (AM) 5	Vo5	7.5	7.9	8.3	V	Io5=25mA, Vcc1=10~18V
Dropout Voltage	ΔVo5	-	0.4	0.7	V	Io5=25mA, Vcc1-Vo5
Peak Output Current	Io5	25	-	-	mA	Vo5 ≥ 7.5V
Ripple Rejection Ratio	R.R5	45	55	-	dB	f=100Hz, VRR=-10 dBV, Io=25mA
SW5V (SEL2>2.0V)						
Dropout Voltage (SW5V) 6	ΔVo6	-	0.15	0.3	V	Io6=30mA, VDD-Vo6
Peak Output Current	Io6	30	-	-	mA	Vo6 ≥ VDD-0.2V
ILM (SEL1>1.5V)						
Output Voltage (ILM) 7	Vo7	9.9	10.3	10.7	V	Io7=200mA, Vcc1=12~18V
Dropout Voltage	ΔVo7	-	0.5	0.8	V	Io7=200mA, Vcc1-Vo7
Peak Output Current	Io7	200	-	-	mA	Vo7 ≥ 9.9V
Ripple Rejection Ratio	R.R7	40	50	-	dB	f=100Hz, VRR=-10dBV, Io=200mA
Input (SEL1)						
Standby Level	Vth1-1	-	-	1.0	V	
ILM ON	Vth1-2	1.5	-	3.0	V	
ILM, P-CON ON	Vth1-3	3.5	-	5.0	V	
ILM, P-CON, P-ANT ON	Vth1-4	7.0	-	12.0	V	
SW1 Input Impedance	Rin1	100	-	-	kΩ	
Input (SEL2)						
Standby Level	Vth2-1	-	-	1.0	V	
AUDIO, SW5V ON	Vth2-2	2.0	-	3.0	V	
AUDIO, SW5V, AM ON	Vth2-3	3.5	-	VDD	V	
SW2 Input Impedance	Rin2	100	-	-	kΩ	
Overvoltage Protection threshold	Vovp	27	30	33	V	

\*Use Peak Output Current less than Limits Min. values.

○BLOCK DIAGRAM



○PHYSICAL DIMENSIONS, MARKING



SIP-M12(V4) (Unit : mm)

○ Pin No. · Pin Name

Pin No.	Pin Name
1	GND
2	ILM
3	P. ANT
4	P. CON
5	AM
6	Vcc1
7	AUDIO
8	SW5V
9	VDD
10	Vcc2
11	SEL1
12	SEL2

※Refer to the Technical Note about the details of the application.

NOTES FOR USE

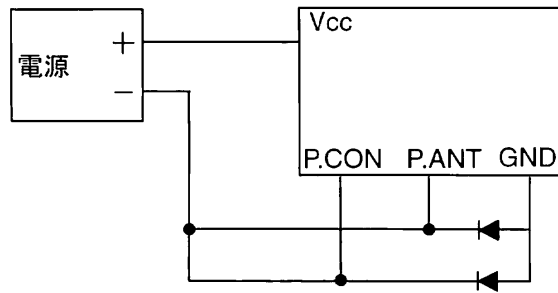
- 1 .Ovre Voltage Protection Circuit**  
 The Over Voltage Protection Circuit function is that when the difference voltage of Vcc1 and GND exceeds over about 30V(room temperature), the each output except VDD and SW5V turn off, and when the difference voltage of Vcc2 and Gnd exceeds over about 30V, Vdd and SW5V output turn off. Please be sure of the power supply voltage range you use.
- 2 .Bypass Capacitor between Vcc1,2 and Gnd**  
 It recommend to put into bypass capacitor with 0.47 μ F degree into the nearest position between Vcc1, 2 and Gnd.
- 3 . The oscillation stopper of output capacitor**  
 Please use the oscillation stopper between VDD, AUDIO, AM, SW5V, P.CON, P.ANT and ILM each output and Gnd. The capacitor is over 0.1 μ F and recommended the small temperature change and over B-class DC characteristics. When selecting the value of the output capacitor, please make sure that the transient response.
- 4 . Over current Protection Circuit**  
 Each output, Vdd, AUDIO, AM, SW5V, P.CON, P.ANT and ILM have the Over Current Protection circuit that is enough for the each output current ability, and it protects the IC destruction against the huge current load.  
 The protection circuits are "Down Type" for Vdd and SW5V and "fold back typer" for others and designed not as to occur the Latch Up by the huge current in a moment by the huge capacitor. But, these protection circuits are effective for preventing destruction by unexpected accident. Please don't use in the situation of continuous protection circuit ON and off. And for the peak output current ability, because this chip has minus characteristic, be careful for the thermal design.

5 .Thermal Shut Down Circuit

The Thermal Shut Down circuit is built in IC to prevent the damage due to over heating. Therefore, all the output except VDD are turned off when it works, and turned on when the temperature goes down to the specified level. But, built-in the IC a temperature control circuit to protect itself. Make sure of the thermal design under 150°C .

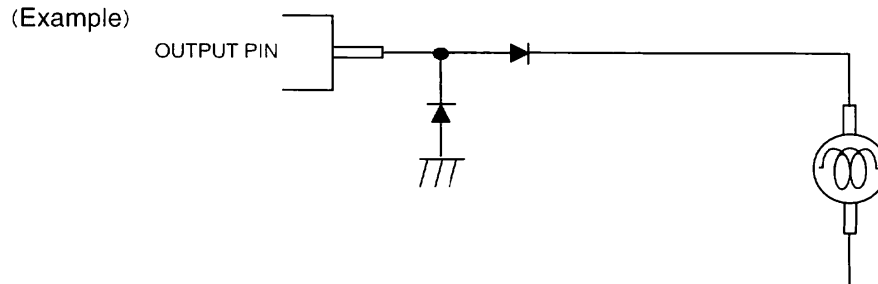
6 .P.CON, P.ANT terminals short to Gnd

In case of the P.CON, P.ANT connect to Battery (-) terminal: short to Gnd, and IC Gnd(1pin) is Open, The parasitic element occurs in the IC and IC might be destroyed. We recommend taking countermeasure as the using shottky diode between P.CON, P.ANT and Gnd.



7 .In the application, in case of the each terminal is lower than Gnd, it recommends to use the bypass circuit.

8. We recommend using Diode for protection purpose in case of output pin connected with large loads of impedance or reverse current at initial stages or output off stage.



### Notes

- No technical content pages of this document may be reproduced in any form or transmitted by any means without prior permission of ROHM CO.,LTD.
- The contents described herein are subject to change without notice. The specifications for the product described in this document are for reference only. Upon actual use, therefore, please request that specifications to be separately delivered.
- Application circuit diagrams and circuit constants contained herein are shown as examples of standard use and operation. Please pay careful attention to the peripheral conditions when designing circuits and deciding upon circuit constants in the set.
- Any data, including, but not limited to application circuit diagrams information, described herein are intended only as illustrations of such devices and not as the specifications for such devices. ROHM CO.,LTD. disclaims any warranty that any use of such devices shall be free from infringement of any third party's intellectual property rights or other proprietary rights, and further, assumes no liability of whatsoever nature in the event of any such infringement, or arising from or connected with or related to the use of such devices.
- Upon the sale of any such devices, other than for buyer's right to use such devices itself, resell or otherwise dispose of the same, no express or implied right or license to practice or commercially exploit any intellectual property rights or other proprietary rights owned or controlled by
- ROHM CO., LTD. is granted to any such buyer.
- Products listed in this document are no antiradiation design.

The products listed in this document are designed to be used with ordinary electronic equipment or devices (such as audio visual equipment, office-automation equipment, communications devices, electrical appliances and electronic toys).

Should you intend to use these products with equipment or devices which require an extremely high level of reliability and the malfunction of which would directly endanger human life (such as medical instruments, transportation equipment, aerospace machinery, nuclear-reactor controllers, fuel controllers and other safety devices), please be sure to consult with our sales representative in advance.

#### About Export Control Order in Japan

Products described herein are the objects of controlled goods in Annex 1 (Item 16) of Export Trade Control Order in Japan.

In case of export from Japan, please confirm if it applies to "objective" criteria or an "informed" (by MITI clause) on the basis of "catch all controls for Non-Proliferation of Weapons of Mass Destruction.

Thank you for your accessing to ROHM product informations.  
More detail product informations and catalogs are available,  
please contact your nearest sales office.

Please contact our sales offices for details ;

U.S.A / San Diego	TEL : +1(858)625-3630	FAX : +1(858)625-3670
Atlanta	TEL : +1(770)754-5972	FAX : +1(770)754-0691
Dallas	TEL : +1(972)312-8818	FAX : +1(972)312-0330
Germany / Dusseldorf	TEL : +49(2154)9210	FAX : +49(2154)921400
United Kingdom / London	TEL : +44(1)908-282-666	FAX : +44(1)908-282-528
France / Paris	TEL : +33(0)1 56 97 30 60	FAX : +33(0) 1 56 97 30 80
China / Hong Kong	TEL : +852(2)740-6262	FAX : +852(2)375-8971
Shanghai	TEL : +86(21)6279-2727	FAX : +86(21)6247-2066
Dilian	TEL : +86(411)8230-8549	FAX : +86(411)8230-8537
Beijing	TEL : +86(10)8525-2483	FAX : +86(10)8525-2489
Taiwan / Taipei	TEL : +866(2)2500-6956	FAX : +866(2)2503-2869
Korea / Seoul	TEL : +82(2)8182-700	FAX : +82(2)8182-715
Singapore	TEL : +65-6332-2322	FAX : +65-6332-5662
Malaysia / Kuala Lumpur	TEL : +60(3)7958-8355	FAX : +60(3)7958-8377
Philippines / Manila	TEL : +63(2)807-6872	FAX : +63(2)809-1422
Thailand / Bangkok	TEL : +66(2)254-4890	FAX : +66(2)256-6334

Japan /  
(Internal Sales)

Tokyo	2-1-1, Yaesu, Chuo-ku, Tokyo 104-0082	TEL : +81(3)5203-0321	FAX : +81(3)5203-0300
Yokohama	2-4-8, Shin Yokohama, Kohoku-ku, Yokohama, Kanagawa 222-8575	TEL : +81(45)476-2131	FAX : +81(45)476-2128
Nagoya	Dainagayo Building 9F 3-28-12, Meieki, Nakamura-ku, Nagoya, Aichi 450-0002	TEL : +81(52)581-8521	FAX : +81(52)561-2173
Kyoto	579-32 Higashi Shiokouji-cho, Karasuma Nishi-iru, Shiokoujiodori, Shimogyo-ku, Kyoto 600-8216	TEL : +81(75)311-2121	FAX : +81(75)314-6559
(Contact address for overseas customers in Japan)			
Yokohama		TEL : +81(45)476-9270	FAX : +81(045)476-9271