



## N-Channel Depletion-Mode Vertical DMOS FETs

### Ordering Information

BV <sub>DSX</sub> / BV <sub>DGX</sub>	R <sub>DS(ON)</sub> (max)	I <sub>DSS</sub> (min)	Order Number / Package	
			TO-92	TO-243AA*
300V	12Ω	200mA	DN2530N3	DN2530N8

\* Same as SOT-89. Product shipped on 2000 piece carrier tape reels.

Product marking for TO-243AA:

**DN5T\***

Where \* = 2-week alpha date code

### Features

- High input impedance
- Low input capacitance
- Fast switching speeds
- Low on resistance
- Free from secondary breakdown
- Low input and output leakage

### Applications

- Normally-on switches
- Solid state relays
- Converters
- Linear amplifiers
- Constant current sources
- Power supply circuits
- Telecom

### Absolute Maximum Ratings

Drain-to-Source Voltage	BV <sub>DSX</sub>
Drain-to-Gate Voltage	BV <sub>DGX</sub>
Gate-to-Source Voltage	± 20V
Operating and Storage Temperature	-55°C to +150°C
Soldering Temperature*	300°C

\* Distance of 1.6 mm from case for 10 seconds.

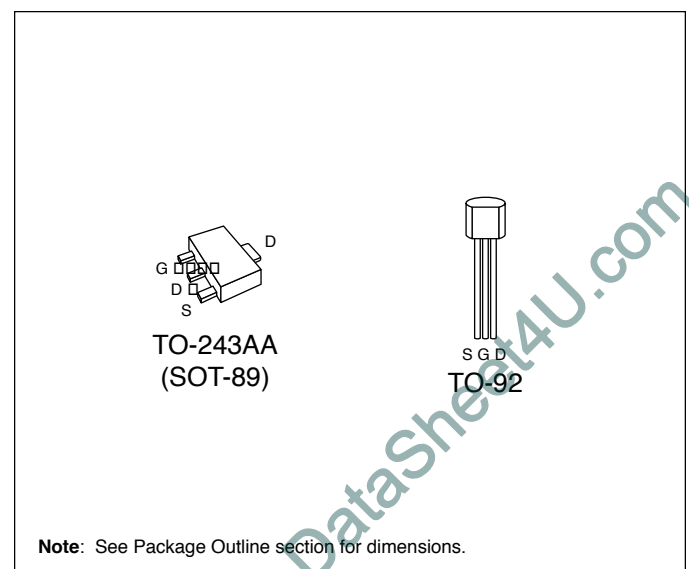
### Advanced DMOS Technology

**Not recommended for new designs. Please use DN3535 or DN3545 instead.**

These depletion-mode (normally-on) transistors utilize an advanced vertical DMOS structure and Supertex's well-proven silicon-gate manufacturing process. This combination produces devices with the power handling capabilities of bipolar transistors and with the high input impedance and positive temperature coefficient inherent in MOS devices. Characteristic of all MOS structures, these devices are free from thermal runaway and thermally-induced secondary breakdown.

Supertex's vertical DMOS FETs are ideally suited to a wide range of switching and amplifying applications where high breakdown voltage, high input impedance, low input capacitance, and fast switching speeds are desired.

### Package Options



## Thermal Characteristics

Package	$I_D$ (continuous)*	$I_D$ (pulsed)	Power Dissipation @ $T_A = 25^\circ\text{C}$	$\theta_{jc}$ $^\circ\text{C/W}$	$\theta_{ja}$ $^\circ\text{C/W}$	$I_{DR}^*$	$I_{DRM}$
TO-92	175mA	500mA	0.74W	125	170	175mA	500mA
TO-243AA	200mA	500mA	1.6†	15	78†	200mA	500mA

\*  $I_D$  (continuous) is limited by max rated  $T_j$ .

† Mounted on FR4 board, 25mm x 25mm x 1.57mm. Significant  $P_D$  increase possible on ceramic substrate.

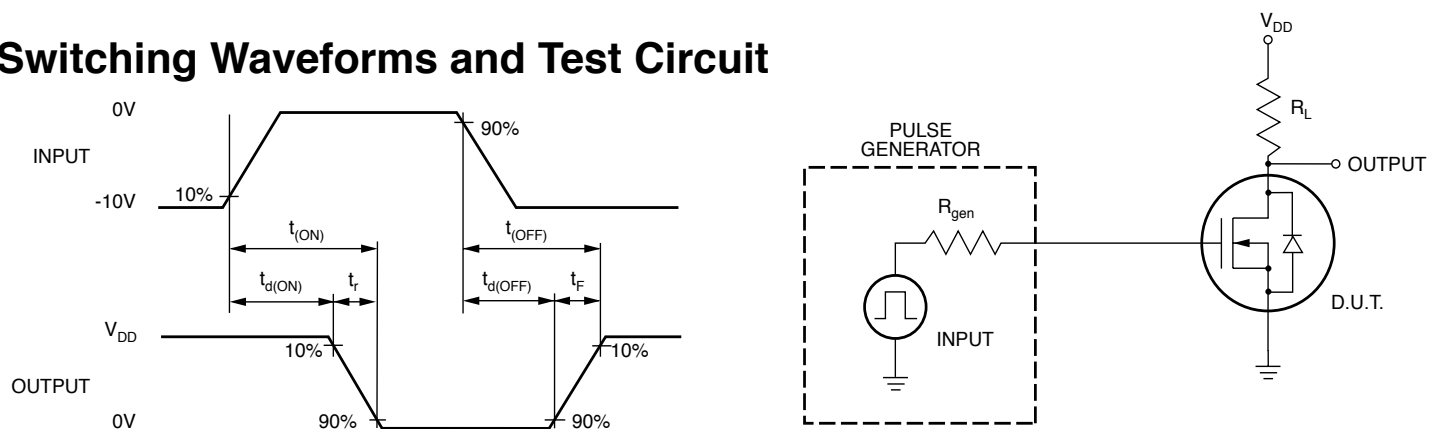
## Electrical Characteristics (@ $25^\circ\text{C}$ unless otherwise specified)

Symbol	Parameter	Min	Typ	Max	Unit	Conditions
$BV_{DSX}$	Drain-to-Source Breakdown Voltage	300			V	$V_{GS} = -5V, I_D = 100\mu\text{A}$
$V_{GS(OFF)}$	Gate-to-Source OFF Voltage	-1.0		-3.5	V	$V_{DS} = 25V, I_D = 10\mu\text{A}$
$\Delta V_{GS(OFF)}$	Change in $V_{GS(OFF)}$ with Temperature			4.5	mV/ $^\circ\text{C}$	$V_{DS} = 25V, I_D = 10\mu\text{A}$
$I_{GSS}$	Gate Body Leakage Current			100	nA	$V_{GS} = \pm 20V, V_{DS} = 0V$
$I_{D(OFF)}$	Drain-to-Source Leakage Current			10	$\mu\text{A}$	$V_{GS} = -10V, V_{DS} = \text{Max Rating}$
				1	mA	$V_{GS} = -10V, V_{DS} = 0.8 \text{ Max Rating}$ $T_A = 125^\circ\text{C}$
$I_{DSS}$	Saturated Drain-to-Source Current	200			mA	$V_{GS} = 0V, V_{DS} = 25V$
$R_{DS(ON)}$	Static Drain-to-Source ON-State Resistance			12	$\Omega$	$V_{GS} = 0V, I_D = 150\text{mA}$
$\Delta R_{DS(ON)}$	Change in $R_{DS(ON)}$ with Temperature			1.1	%/ $^\circ\text{C}$	$V_{GS} = 0V, I_D = 150\text{mA}$
$G_{FS}$	Forward Transconductance	300			$\text{m}\square\square$	$I_D = 150\text{mA}, V_{DS} = 10V$
$C_{ISS}$	Input Capacitance			300	pF	$V_{GS} = -10V, V_{DS} = 25V$ $f = 1 \text{ MHz}$
$C_{OSS}$	Common Source Output Capacitance			30		
$C_{RSS}$	Reverse Transfer Capacitance			5		
$t_{d(ON)}$	Turn-ON Delay Time			10	ns	$V_{DD} = 25V,$ $I_D = 150\text{mA},$ $R_{GEN} = 25\Omega$
$t_r$	Rise Time			15		
$t_{d(OFF)}$	Turn-OFF Delay Time			15		
$t_f$	Fall Time			20		
$V_{SD}$	Diode Forward Voltage Drop			1.8	V	$V_{GS} = -10V, I_{SD} = 150\text{mA}$
$t_{rr}$	Reverse Recovery Time		600		ns	$V_{GS} = -10V, I_{SD} = 1A$

### Notes:

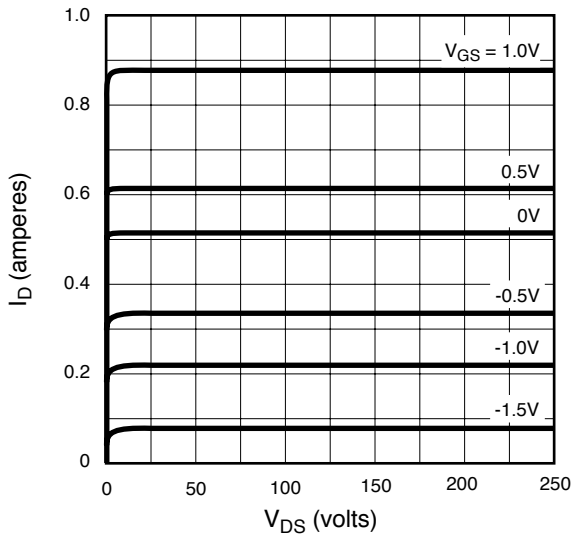
- All D.C. parameters 100% tested at  $25^\circ\text{C}$  unless otherwise stated. (Pulse test: 300 $\mu\text{s}$  pulse, 2% duty cycle.)
- All A.C. parameters sample tested.

## Switching Waveforms and Test Circuit

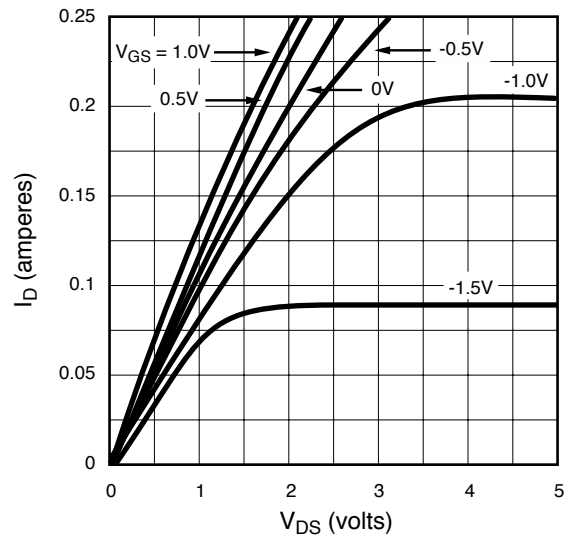


# Typical Performance Curves

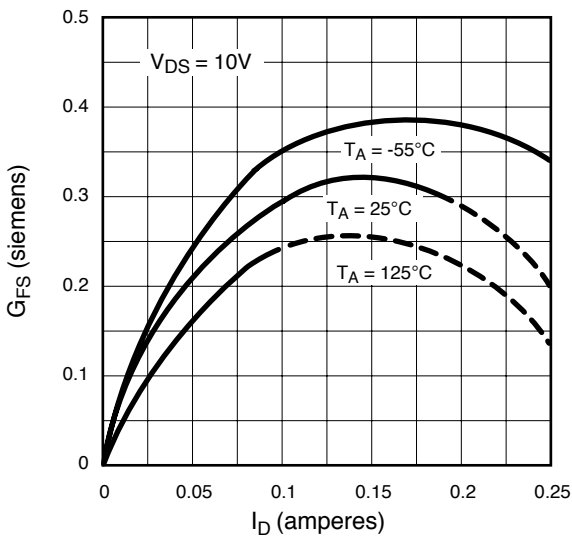
Output Characteristics



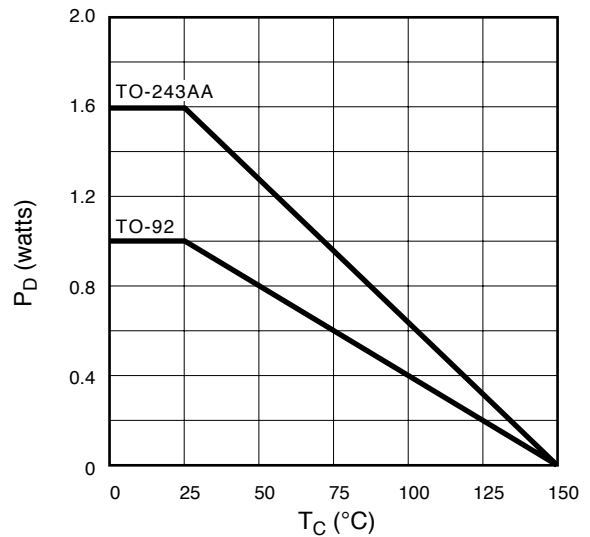
Saturation Characteristics



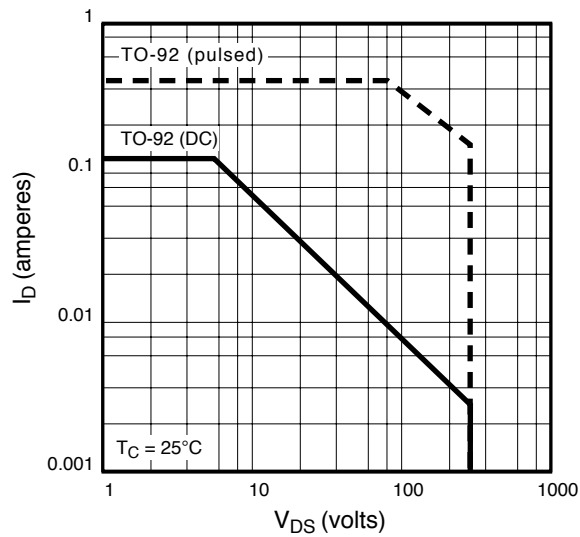
Transconductance vs. Drain Current



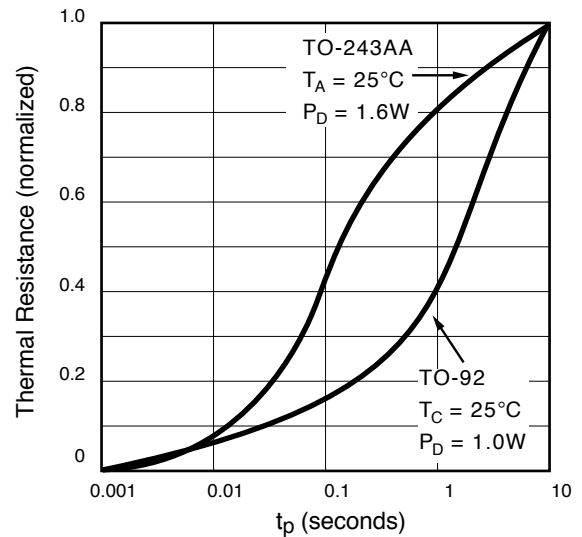
Power Dissipation vs. Case Temperature



Maximum Rated Safe Operating Area



Thermal Response Characteristics



# Typical Performance Curves

