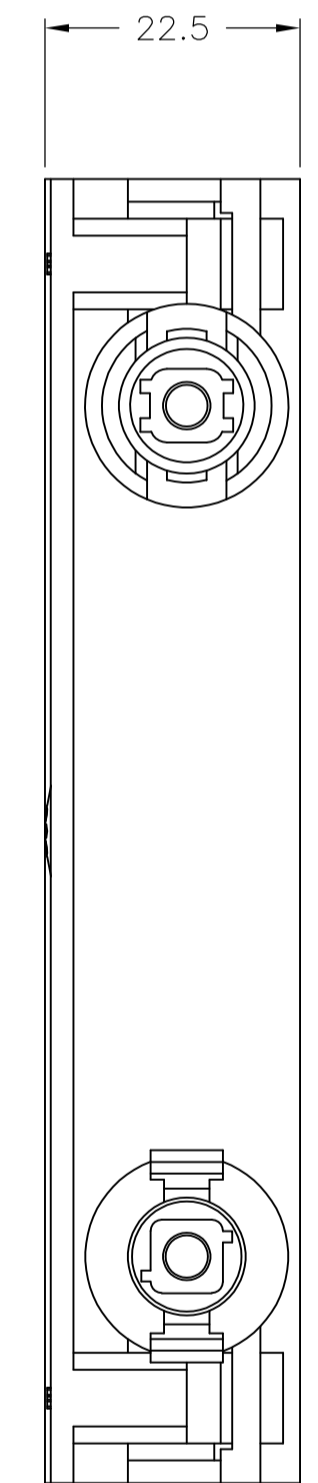
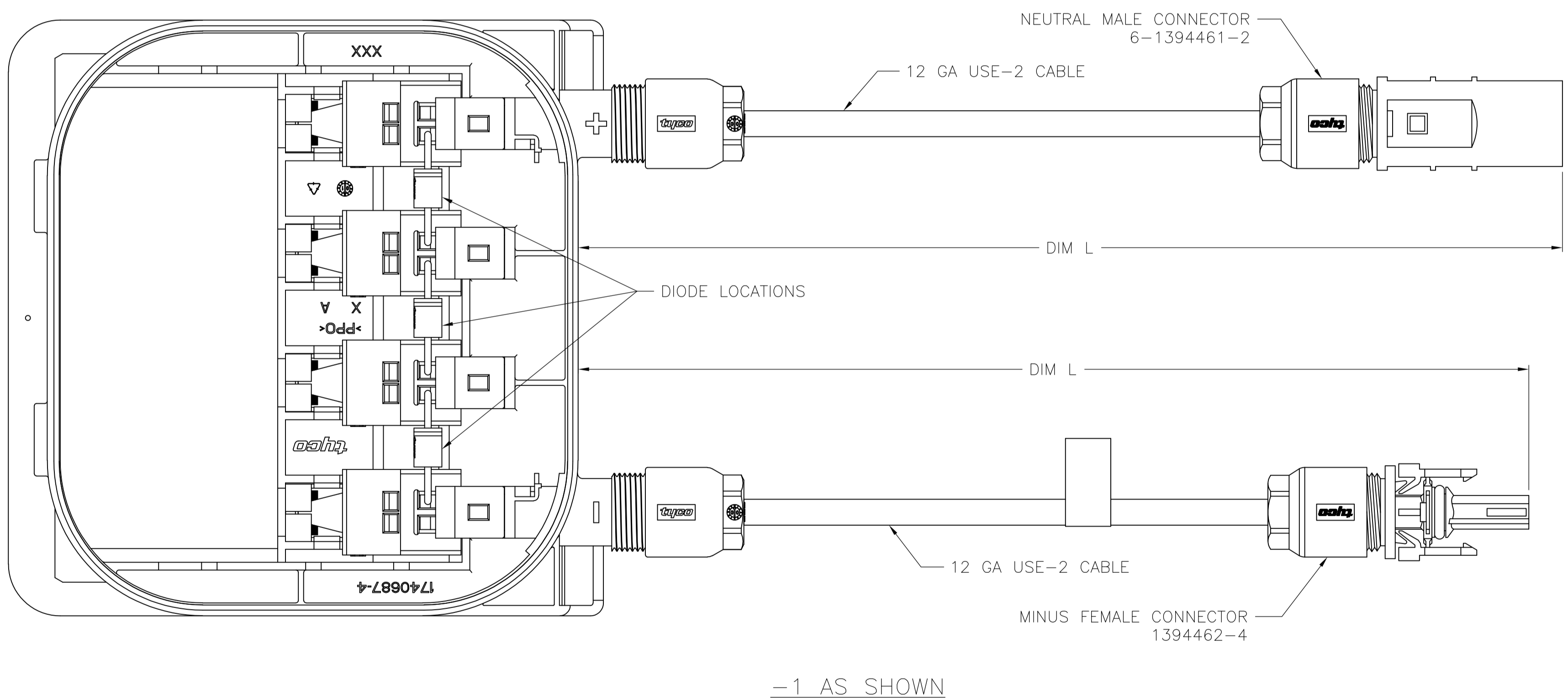
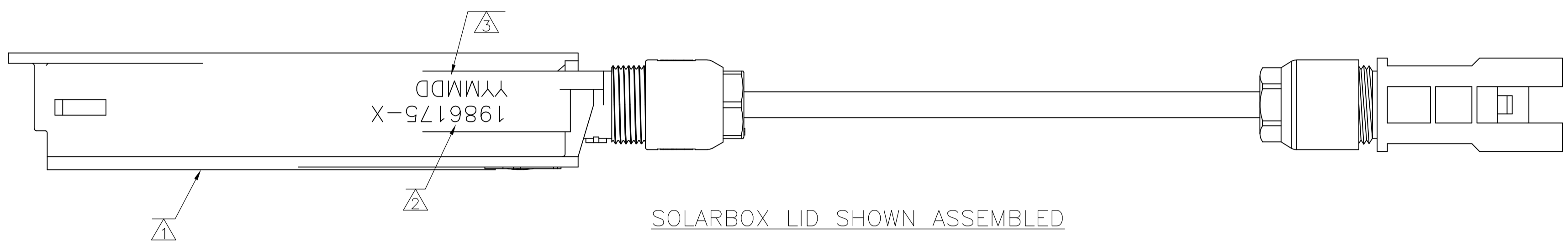


LOC		DIST		REVISIONS			
P	LTR	DESCRIPTION	DATE	DN	APVD		
C		REVISED PER ECO-10-009127	5/17/10	KT	MS		

- ① SOLARBOX LID ASSY PACKAGED UNASSEMBLED.
- ② PART NUMBER.
- ③ PRODUCTION DATE (YYMMDD).  
 YY = YEAR  
 MM = MONTH  
 DD = DAY
- ④ PRELIMINARY PART NUMBER.
- ⑤ APPROVED ALTERNATES ARE SL1515A (108-94243) AND SL1515B (108-94244)



SOLARBOX LID SHOWN ASSEMBLED

DIM L	DIODE	PART NUMBER
1200±48mm	SL1010 (3-1740346-2)	1986175-5
1000±40mm	NONE	1986175-4
1000±40mm	SL1515 (4-1740346-2)	1986175-3
1000±40mm	F1200D (1418816-2)	1986175-2
1000±40mm	SL1010 (3-1740346-2)	1986175-1

THIS DRAWING IS A CONTROLLED DOCUMENT.

DIMENSIONS: mm	TOLERANCES UNLESS OTHERWISE SPECIFIED:	0 PLC ± -	1 PLC ± 0.5	2 PLC ± -	3 PLC ± -	4 PLC ± -	ANGLES ± -
MATERIAL	FINISH	WEIGHT	SIZE	CAGE CODE	DRAWING NO	RESTRICTED TO	
			A1	00779	1986175		

CUSTOMER DRAWING SCALE NTS SHEET 1 OF 1 REV 0