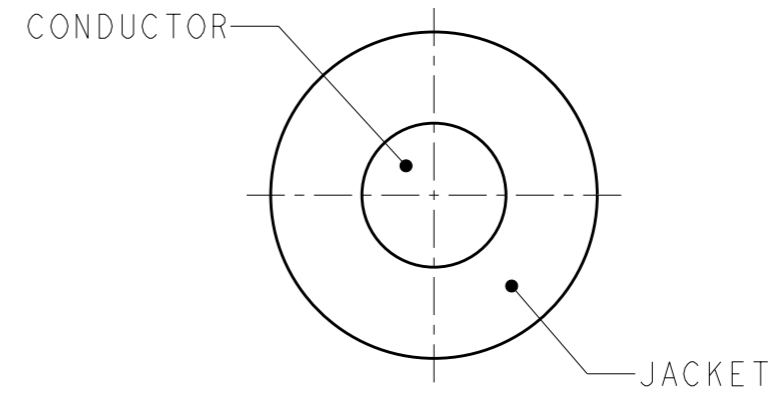


THIS DRAWING IS UNPUBLISHED. RELEASED FOR PUBLICATION 20  
 © COPYRIGHT 20 BY TYCO ELECTRONICS CORPORATION. ALL RIGHTS RESERVED.

LOC	DIST	REVISIONS			
P	LTR	DESCRIPTION	DATE	DWN	APVD
	C2	REVISED PER ECO-08-003323	06FEB2008	SS	MS

1. CONDUCTOR  
 NOMINAL STRANDING: 41/0100  
 NOMINAL DIAMETER: .075
2. JACKET CONSTRUCTION  
 OUTSIDE DIAMETER: .170±.005  
 COLOR: BLACK
3. MARKING  
 TYCO ELECTRONICS 14 AWG (2.08mm<sup>2</sup>) XHHW-2 OR XHH OR RHW-2 OR RHH SR USE-2 SUNLIGHT RESISTANT (UL) 600V VWI UL LISTED,
4. PART COMES IN 30" DRUM.
5. ALL MATERIALS AND FINISHES SHALL COMPLY WITH EU DIRECTIVE 2002/95/EC OF 27JAN2003 (ROHS).



2500 FT REEL	1986166-3
500 FT REEL	1986166-2
7500 FT REEL	1986166-1
CABLE LENGTH	PART NUMBER

www.DataSheet4U.com

<small>THIS DRAWING IS A CONTROLLED DOCUMENT FOR TYCO ELECTRONICS CORPORATION IT IS SUBJECT TO CHANGE AND THE CONTROLLING ENGINEERING ORGANIZATION SHOULD BE CONTACTED FOR THE LATEST REVISION.</small>		DWN S. WELDON 03APR2007 CHK M. STRECKEWALD 03APR2007 APVD M. STRECKEWALD 03APR2007		<b>Tyco Electronics</b> Tyco Electronics Harrisburg, PA 17105-3608	
DIMENSIONS: INCHES		TOLERANCES UNLESS OTHERWISE SPECIFIED: 0 PLC ±- 1 PLC ±.1 2 PLC ±.02 3 PLC ±.005 4 PLC ±.0005 ANGLES ±-		NAME SOLAR CABLE, UL-LISTED, 14 AWG	
		MATERIAL - FINISH -		PRODUCT SPEC - APPLICATION SPEC - WEIGHT -	
		CUSTOMER DRAWING		SIZE A3 CAGE CODE 00779 DRAWING NO C-1986166 RESTRICTED TO -	
		SCALE 10:1		SHEET OF REV www.DataSheet4U.com	