

(12PIN DIP 3CH)

SOLID STATE RELAY

I/O MODULE

DATA INTERFACE

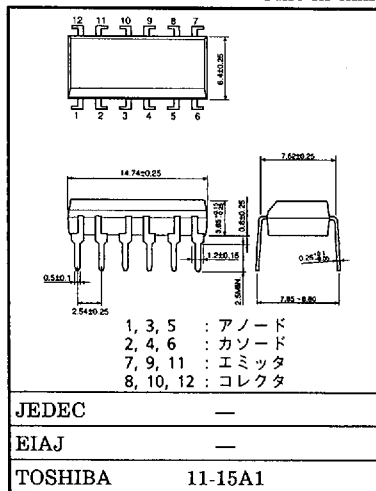
THREE-PHASE MOTOR CONTROL

The TOSHIBA 3 channels type series consist of 3 channels of 4 pin DIP photocouplers in a twelve plastic DIP package.

- All electrical parameters are same as 2 channel of each types.  
 (Example) TLP521-3→TLP521-2
- UL Recognized UL File No. E67349  
 (Use Type name for safety standard certificate application)

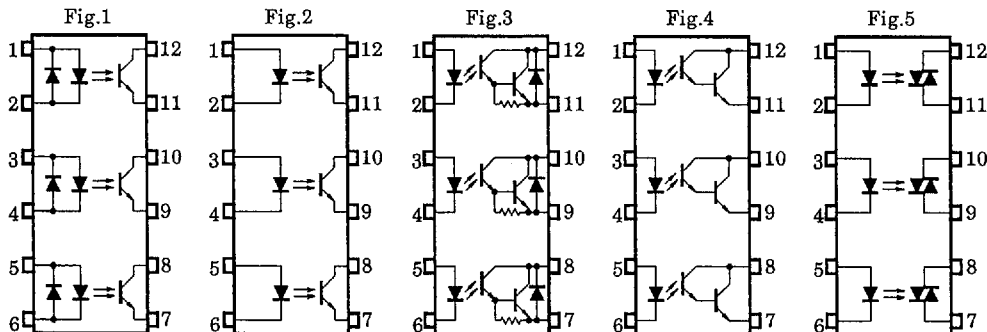
PIN configuration

Unit in mm



1, 3, 5 : アノード  
 2, 4, 6 : カソード  
 7, 9, 11 : エミッタ  
 8, 10, 12 : コレクタ

Weight : 0.77g



TLP320-3,321-3,521-3  
TLP523-3,525G-3,620-3  
TLP621-3,624-3,626-3  
TLP627-3,628-3,629-3

(12PIN DIP 3CH)

Type Name	Isolation Voltage	Feature	Pin Configuration
TLP320-3	5000V AC / 1 min	AC Input	Fig.1
TLP321-3	5000V AC / 1 min	Transistor Output	Fig.2
TLP521-3	2500V AC / 1 min	Transistor Output	Fig.2
TLP523-3	2500V AC / 1 min	Darlington Output	Fig.3
TLP525G-3	2500V AC / 1 min	Triac Output	Fig.5
TLP620-3	5000V AC / 1 min	AC Input	Fig.1
TLP621-3	5000V AC / 1 min	Transistor Output	Fig.2
TLP622-3	5000V AC / 1 min	Darlington Output	Fig.4
TLP624-3	5000V AC / 1 min	Low Input Current	Fig.2
TLP626-3	5000V AC / 1 min	AC Input & Low Input Current	Fig.1
TLP627-3	5000V AC / 1 min	300V Darlington Output	Fig.3
TLP628-3	5000V AC / 1 min	Transistor Output	Fig.2
TLP629-3	5000V AC / 1 min	Transistor Output	Fig.2