



actual size

Quartz Crystal · JTX310

SMD Tuning Fork Crystal · 3.2 x 1.5 mm

www.DataSheet4U.com

- 32.768 kHz
- reflow soldering temperature: 260 °C max.
- package height 0.9 mm max.



General Data

type	JTX 310
frequency	32.768 kHz
frequency tolerance at 25 °C ± 5 °C	± 10 ppm / ±20 ppm / ± 30 ppm
load capacitance C_L	12.5 pF (others on request)
temperature constant	-0.04 · 10 ⁻⁶ / °C ² max. -0.034 · 10 ⁻⁶ / °C ² typical
frequency temperature characteristic	f (ppm) = -0.04 (25 °C - T) ² T = requested temperature
operating temperature range	-20 °C ~ +70 °C / -40 °C ~ +85 °C
shunt capacitance C_0	1.0 pF ~ 1.5 pF typical
series resistance max. (ESR)	50 kΩ typ. (80 kΩ max.)
storage temperature	-40 °C ~ +85 °C
drive level max.	0.5 μW
aging first year	< ± 3 ppm

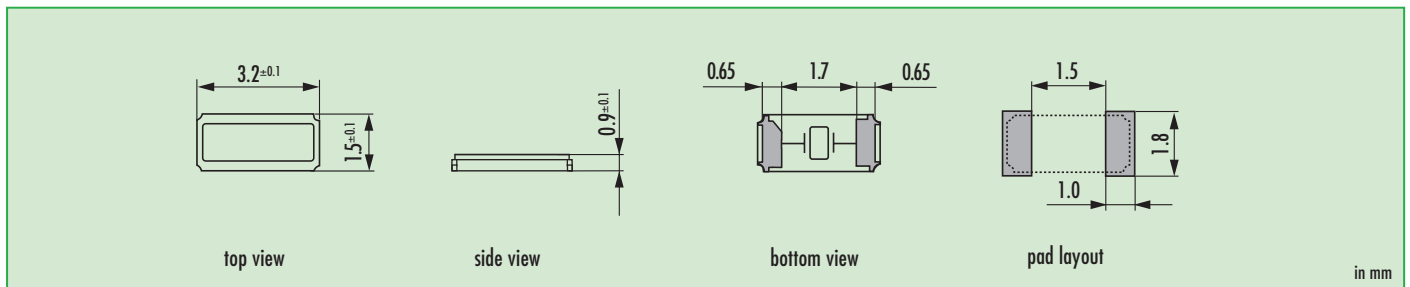
Frequency Stability vs. Temperature

		- 80 ppm	- 160 ppm	
-20 °C ~ +70 °C	STD.	●		
-40 °C ~ +85 °C	T1		●	
● standard				

Marking

company code
date code or production code

Dimensions



Order Information

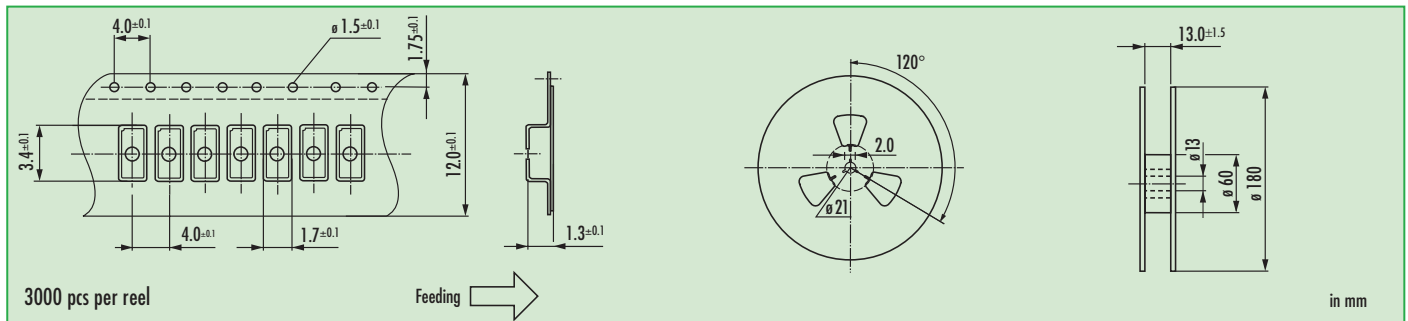
Q	frequency	type	load capacitance	stability at 25 °C	option
Quartz	0.032768 MHz	JTX310	12.5 pF	10 = ± 10 ppm 20 = ± 20 ppm 30 = ± 30 ppm	blank = -20 °C ~ +70 °C T1 = -40 °C ~ +85 °C

Example: Q 0.032768-JTX310-12.5-20 (Suffix LF = RoHS compliant / Pb free pads)

Quartz Crystal · JTX310

www.DataSheet4U.com

Taping Specification



Reflow Soldering Profile

