

SOT-23 Plastic-Encapsulated Diodes

MC2836 SWITCHING DIODE

FEATURES

Power dissipation

$$P_D: 150 \text{ mW (} T_{amb}=25^\circ\text{C)}$$

Forward Current

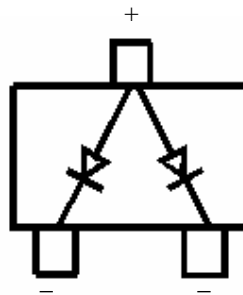
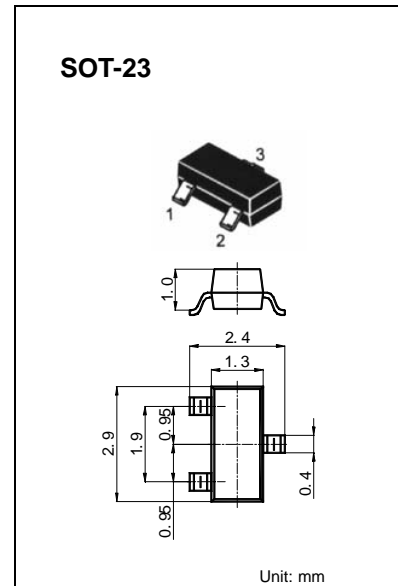
$$I_F: 300 \text{ mA}$$

Reverse Voltage

$$V_R: 50 \text{ V}$$

Operating and storage junction temperature range

$$T_J, T_{stg}: -55^\circ\text{C to } +150^\circ\text{C}$$



Marking: A41

ELECTRICAL CHARACTERISTICS ($T_{amb}=25^\circ\text{C}$ unless otherwise specified)

Parameter	Symbol	Test conditions	MIN	MAX	UNIT
Reverse breakdown voltage	$V_{(BR)}$	$I_R = 100\mu\text{A}$	50		V
Reverse voltage leakage current	I_R	$V_R = 50\text{V}$		0.1	μA
Forward voltage	V_F	$I_F = 10\text{mA}$ $I_F = 50\text{mA}$ $I_F = 100\text{mA}$		0.9 1 1.2	V
Diode capacitance	C_D	$V_R = 0\text{V}, f = 1\text{MHz}$		4	pF
Reverse recovery time	t_{rr}	$I_F = I_R = 10\text{mA}, I_{RR} = 0.1 \times I_R$		4	nS