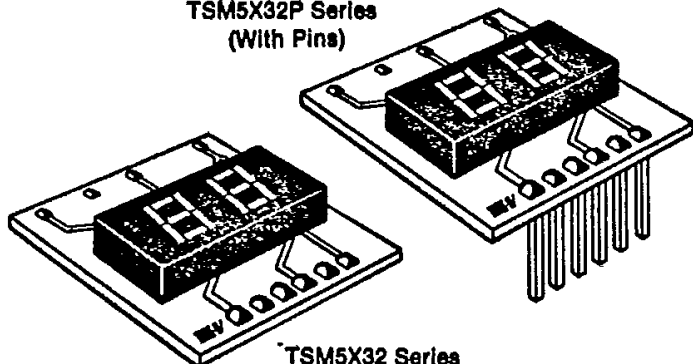




THREE-FIVE SYSTEMS, INC.

# NUMERIC INTEGRATED DISPLAY

TSM5032 (Red),  
TSM5232 (Green) &  
TSM5732 (High Efficiency Red)

TSM5X32P Series  
(With Pins)

## FEATURES

- Two 0.3" Digits
- LED Current is Pre-set
- Serial Data Input
- Chip Enable
- TTL Compatible
- Direct Current Drive (Non-multiplexed)
- No External Capacitor or Resistor Required
- Single Power Supply (+5.0V) Operating with External Dropping Diode

## ABSOLUTE MAXIMUM RATINGS

$V_{DD}$ : 12V  
 $V_{LED}$ : Figure 2  
 Voltage at Any Other Pin: -0.3 to 12V  
 Driver Chip  
 Power Dissipation: 600mW Max.  
 Operating Temperature: -20°C to 70°C  
 Storage Temperature: -20°C to 70°C  
 Lead Soldering Time  
 @ 230°C: 5 sec. Max.

## APPLICATIONS

- Microprocessor Controlled Display
- Digital Clock, Thermometer
- Instrument Readouts, Counter
- Voltmeter

## BLOCK DIAGRAM

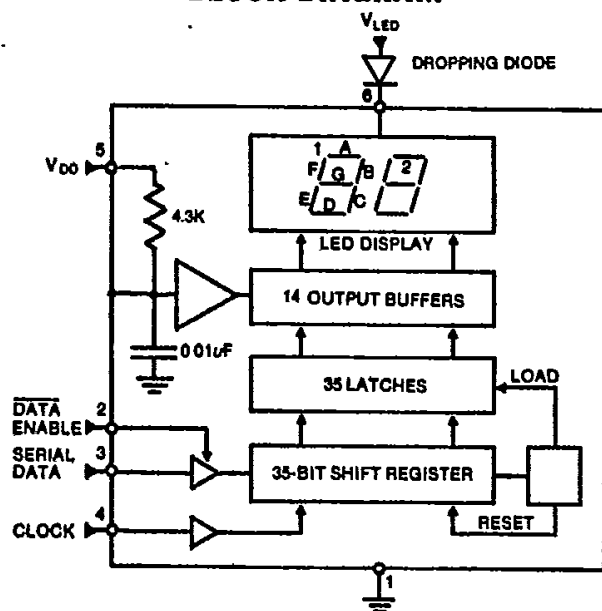


FIGURE 1—Block Diagram

## DESCRIPTION

The TSM5X32 Series are 2-digit, 0.3" height LED displays with an on-board serial data input/parallel data-out LED driver designed to operate with minimal interface to the data source. Current drive to the LEDs is pre-set.

Serial data transfer from the data source to the display driver is accomplished with three signals: data input, data enable, and clock. The data format consists of a leading "1" followed by 35 data bits. This allows data transfer without an additional load signal. The 35 data bits are latched after the 36th bit is complete, thus providing non-multiplexed direct drive to the display. Outputs change only if the serial data bits differ from the previous time. LED supply voltage can be supplied by +5 volts minus the voltage across the dropping diode connected to pin 6.



THREE-FIVE SYSTEMS, INC.

Optoelectronics Group

TEL: 602-496-0035; FAX: 602-496-0168

THREE-FIVE SYSTEMS, LTD.

Swindon, U.K.

TEL: (0793) 618835; FAX: (0793) 614127

www.DataSheet4U.com



# NUMERIC INTEGRATED DISPLAY

## TSM5032, TSM5232 & TSM5732

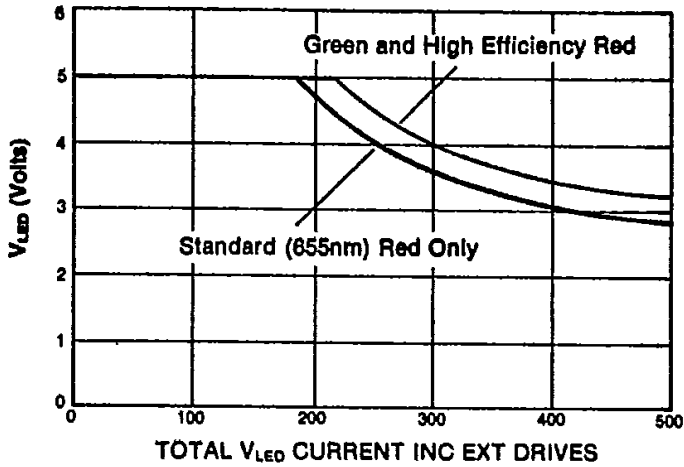


FIGURE 2—Max  $V_{LED}$  vs  $I_{LED}$  Circuit Per Figure 1

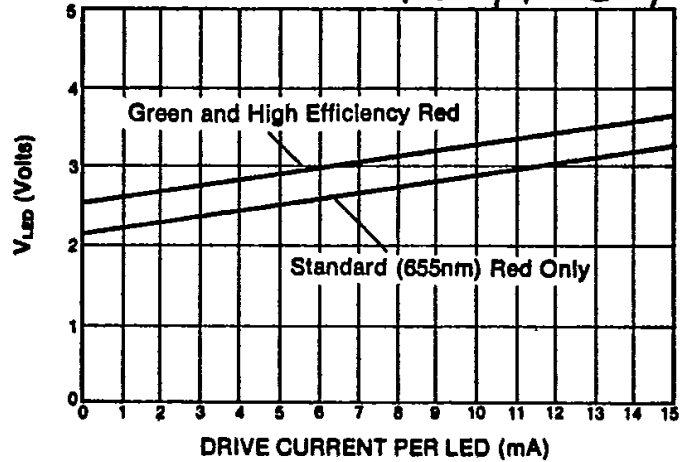


FIGURE 3—Min  $V_{LED}$  vs Drive Current Per LED

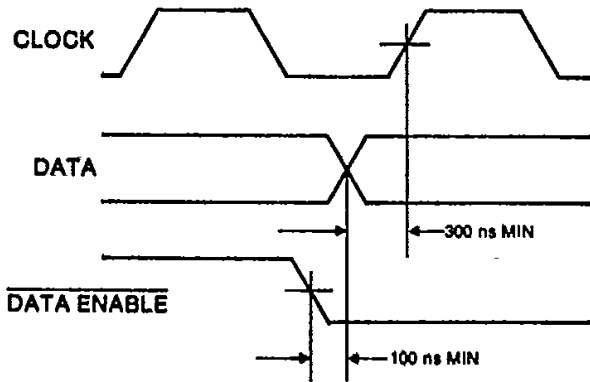


FIGURE 4—Timing Relationships

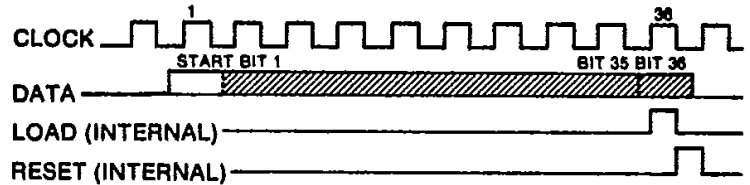


FIGURE 5—Input Data Format

## FUNCTION DESCRIPTION

A block diagram is shown in Figure 1, and Figures 4 and 5 show the timing relationships and input data format. The start bit precedes the 35 data bits. At the 36th clock, a LOAD signal is generated synchronously with the high state of the clock, which loads the 35 bits in the shift registers into the latches. At the low state of the clock, a RESET signal is generated which clears all the shift registers for the next set of data. The shift registers are static master-slave configurations. There is no clear for the master portion of the first shift register, thus allowing continuous operation.

If the clock is not continuous, there must be a complete set of 36 clocks, otherwise the shift registers will

not clear.

When the chips first powers ON, an internal power ON reset signal is generated which resets all registers and all latches. The START bit and the first clock return the chip to its normal operation. To clear the display, load a "1" followed by 35 "0". This blanks the LED and resets the driver IC.

Bit 1 is the first bit following the start bit and determines the drive current state of segment A of digit 1 (note: segment and digit designations are given in the block diagram of Figure 1). The bit sequence for all segments is shown in Table 1.



**THREE-FIVE SYSTEMS, INC.**  
 Optoelectronics Group  
 TEL: 602-496-0035; FAX: 602-496-0168

**THREE-FIVE SYSTEMS, LTD.**  
 Swindon, U.K.

TEL: (0793) 618835; FAX: (0793) 614127

# NUMERIC INTEGRATED DISPLAY

## TSM5032, TSM5232 & TSM5732



BIT	FUNCTION	BIT	FUNCTION
1	Digit 2 Segment D	18	Not Used
2	Digit 2 Segment E	19	Not Used
3	Digit 2 Segment F	20	Not Used
4	Digit 2 Segment A	21	Not Used
5	Digit 2 Segment B	22	Not Used
6	Digit 2 Segment C	23	Not Used
7	Digit 2 Segment G	24	Not Used
8	Not Used	25	Not Used
9	Digit 1 Segment D	26	Not Used
10	Digit 1 Segment E	27	Not Used
11	Digit 1 Segment F	28	Not Used
12	Digit 1 Segment A	29	Not Used
13	Digit 1 Segment B	30	Not Used
14	Digit 1 Segment C	31	Not Used
15	Digit 1 Segment G	32	Not Used
16	Not Used	33	Not Used
17	Not Used	34	Not Used

TABLE 1—Serial Input Sequence

### RECOMMENDED DISPLAY PROCESSING

The TSM5000 Series are constructed on a standard printed circuit board substrate and covered with a plastic reflector. The edge connector tab will withstand 230°C for 5 seconds. Permanent damage to the display will result if reflector temperature exceeds 70°C. Since the display is not hermetic, immersion of the entire package during flux and clean operation may cause condensation of flux or cleaner on the underside of the reflector. Only the edge

connectors should be immersed.

Rosin core solder, solid core solder, and low activity organic fluxes are recommended. Freon TF, Isopropanol, Methanol or Ethanol solvents are recommended only at room temperature and for short periods. The use of other solvents or elevated temperature use of the recommended solvents may cause permanent damage to the reflector or display.

### ORDERING INFORMATION

"P" suffix for pins: 0.63" (16.00mm) beyond bottom of board x 0.025" (0.64mm) square.

#### EXAMPLE:

**TSM5032**—Standard part. **TSM5032P**—Standard part with pins.

The TSM5000 Series are CMOS devices and normal precautions should be taken to avoid static damage.



**THREE-FIVE SYSTEMS, INC.**

Optoelectronics Group

TEL: 602-496-0035; FAX: 602-496-0168

**THREE-FIVE SYSTEMS, LTD.**

Swindon, U.K.

TEL: (0793) 618835; FAX: (0793) 614127